



US00D619277S

(12) **United States Design Patent**
Johnson et al.

(10) **Patent No.:** **US D619,277 S**

(45) **Date of Patent:** **** Jul. 6, 2010**

(54) **LED FENDER LIGHT FOR VEHICLES**

D593,228 S * 5/2009 Finn D26/28

* cited by examiner

(75) Inventors: **James Johnson**, Roland, IA (US); **Hans Christian Lassen**, Roland, IA (US)

Primary Examiner—Marcus A Jackson

(74) *Attorney, Agent, or Firm*—Daniel A. Rosenberg; Briggs and Morgan, P.A.

(73) Assignee: **Innovative Lighting, Inc.**, Roland, IA (US)

(57) **CLAIM**

(**) Term: **14 Years**

The ornamental design for a LED fender light for vehicles, as shown and described.

(21) Appl. No.: **29/238,661**

(22) Filed: **Sep. 19, 2005**

DESCRIPTION

(51) **LOC (9) Cl.** **26-06**

FIG. 1 is a top perspective view of a LED fender light for vehicles.

(52) **U.S. Cl.** **D26/28**

FIG. 2 is a top view of a LED fender light for vehicles.

(58) **Field of Classification Search** D26/28-36;

FIG. 3 is a bottom view of a LED fender light for vehicles.

362/459-468, 475-478, 485-487

FIG. 4 is a first side view of a LED fender light for vehicles.

See application file for complete search history.

FIG. 5 is a second side view of a LED fender light for vehicles, opposite said first side view.

(56) **References Cited**

FIG. 6 is a first end view of a LED fender light for vehicles; and,

U.S. PATENT DOCUMENTS

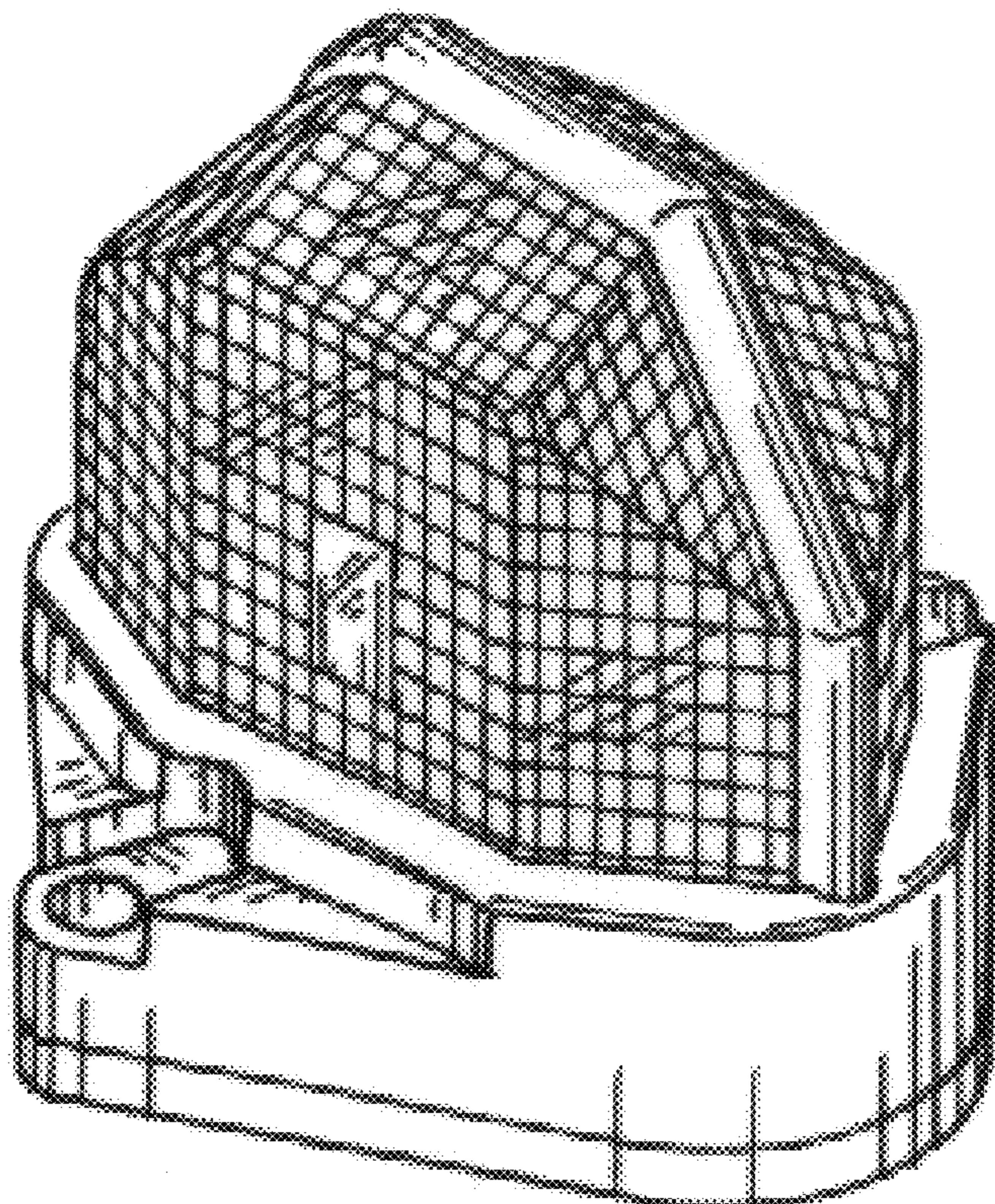
FIG. 7 is a second end view of a LED fender light for vehicles, opposite said first end view.

D519,232 S * 4/2006 Columbro D26/28

D583,696 S * 12/2008 Lassen et al. D10/110

D590,079 S * 4/2009 Higashikawa D26/28

1 Claim, 1 Drawing Sheet



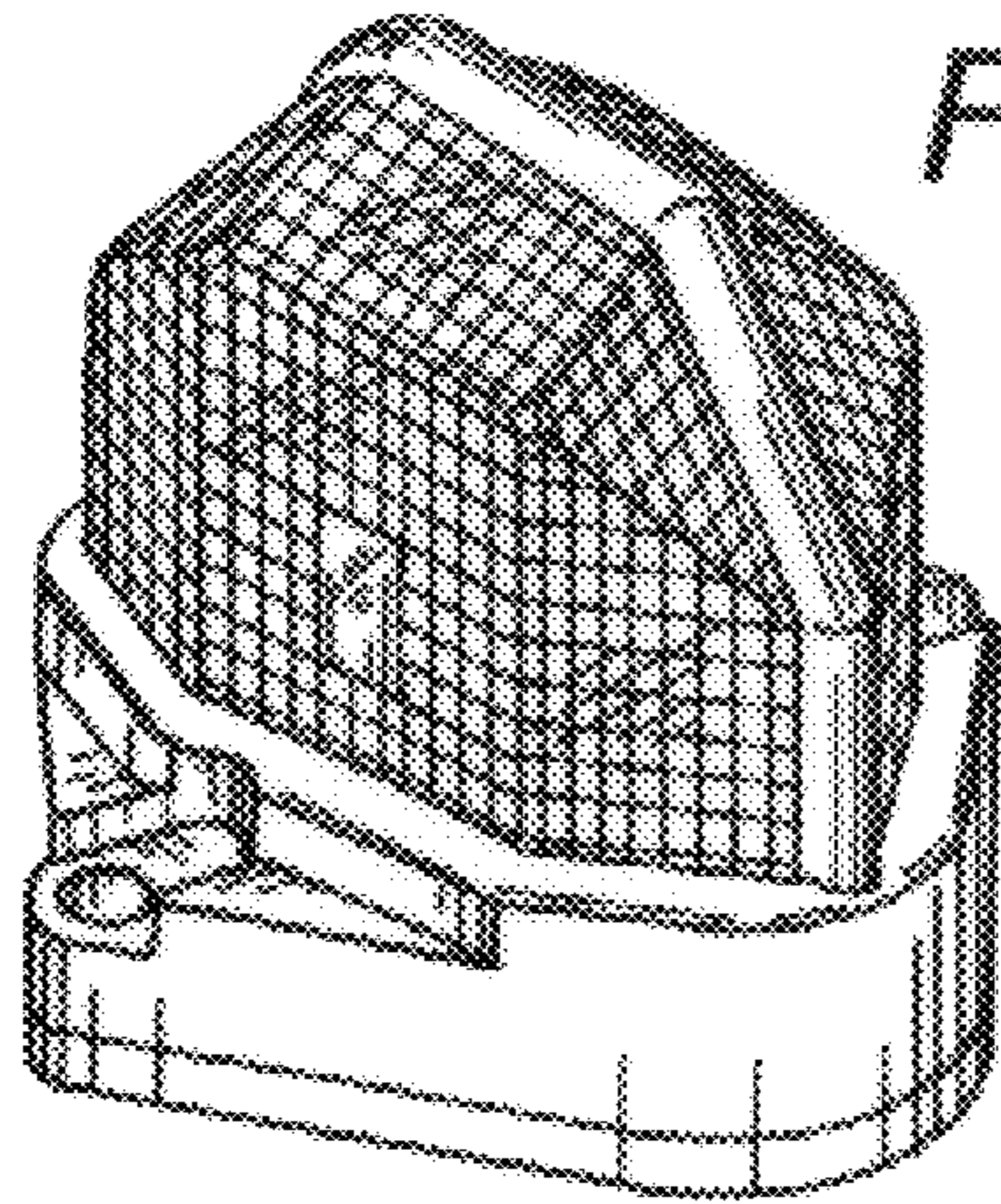


Fig. 1

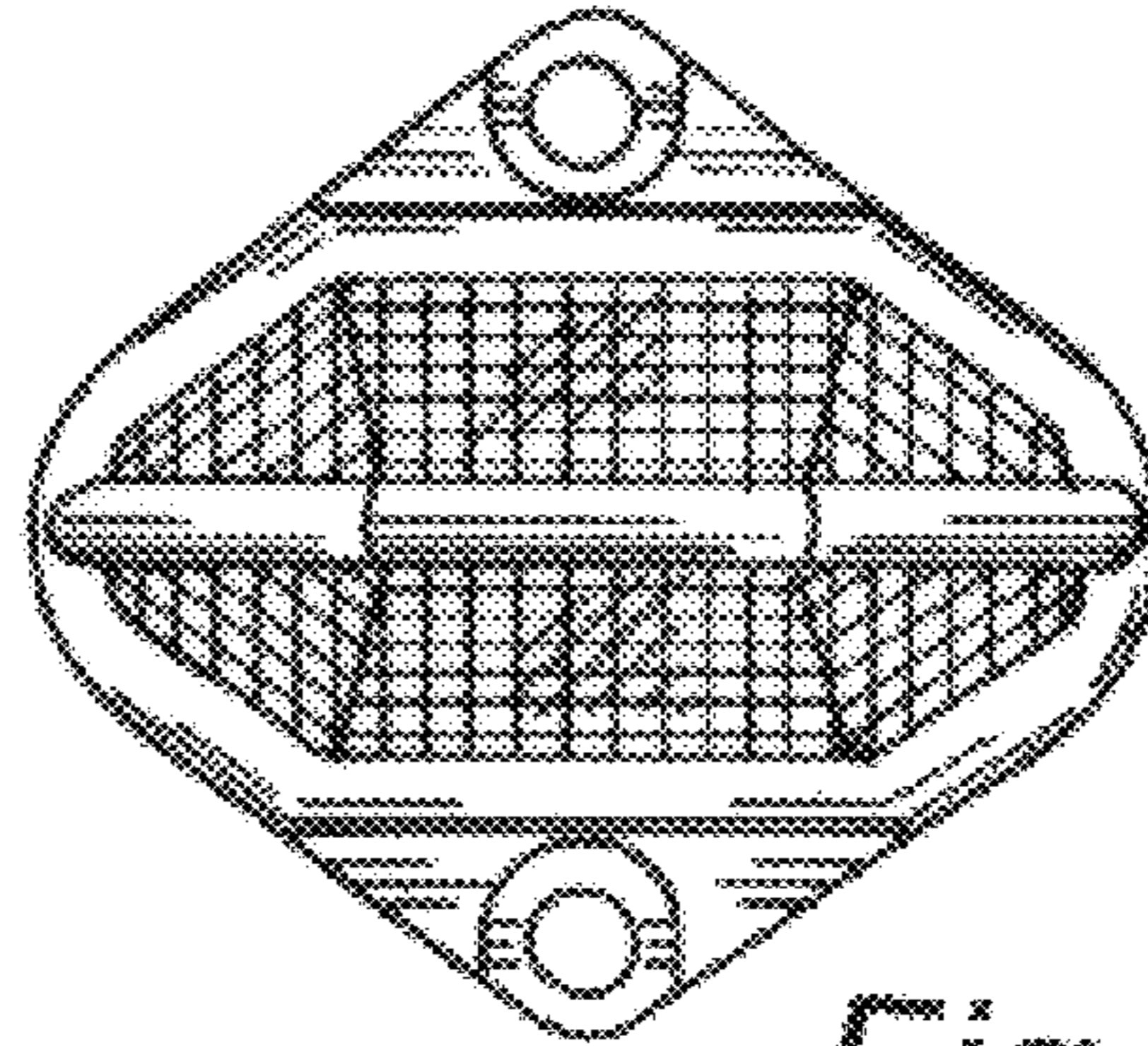


Fig. 2

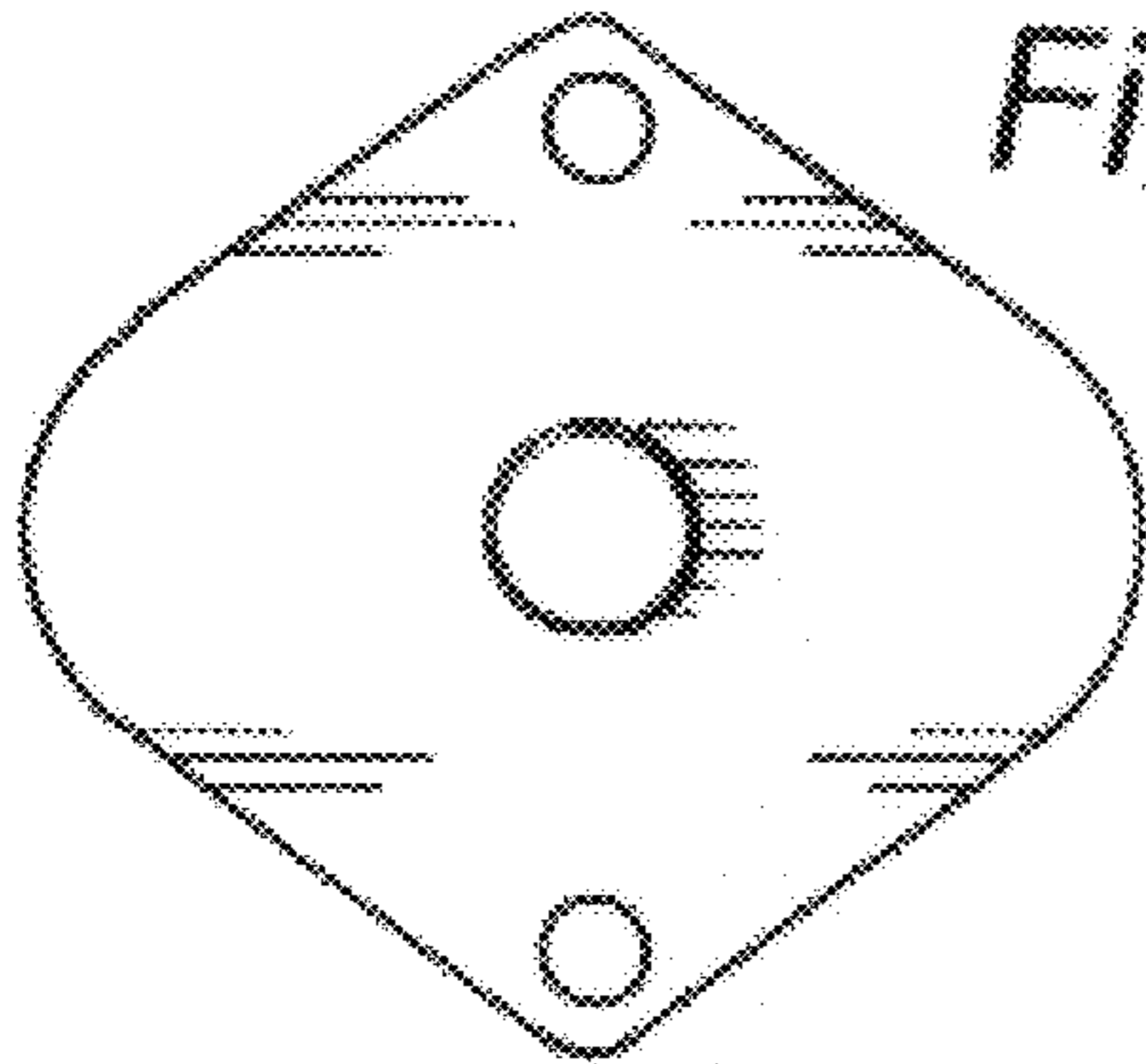


Fig. 3

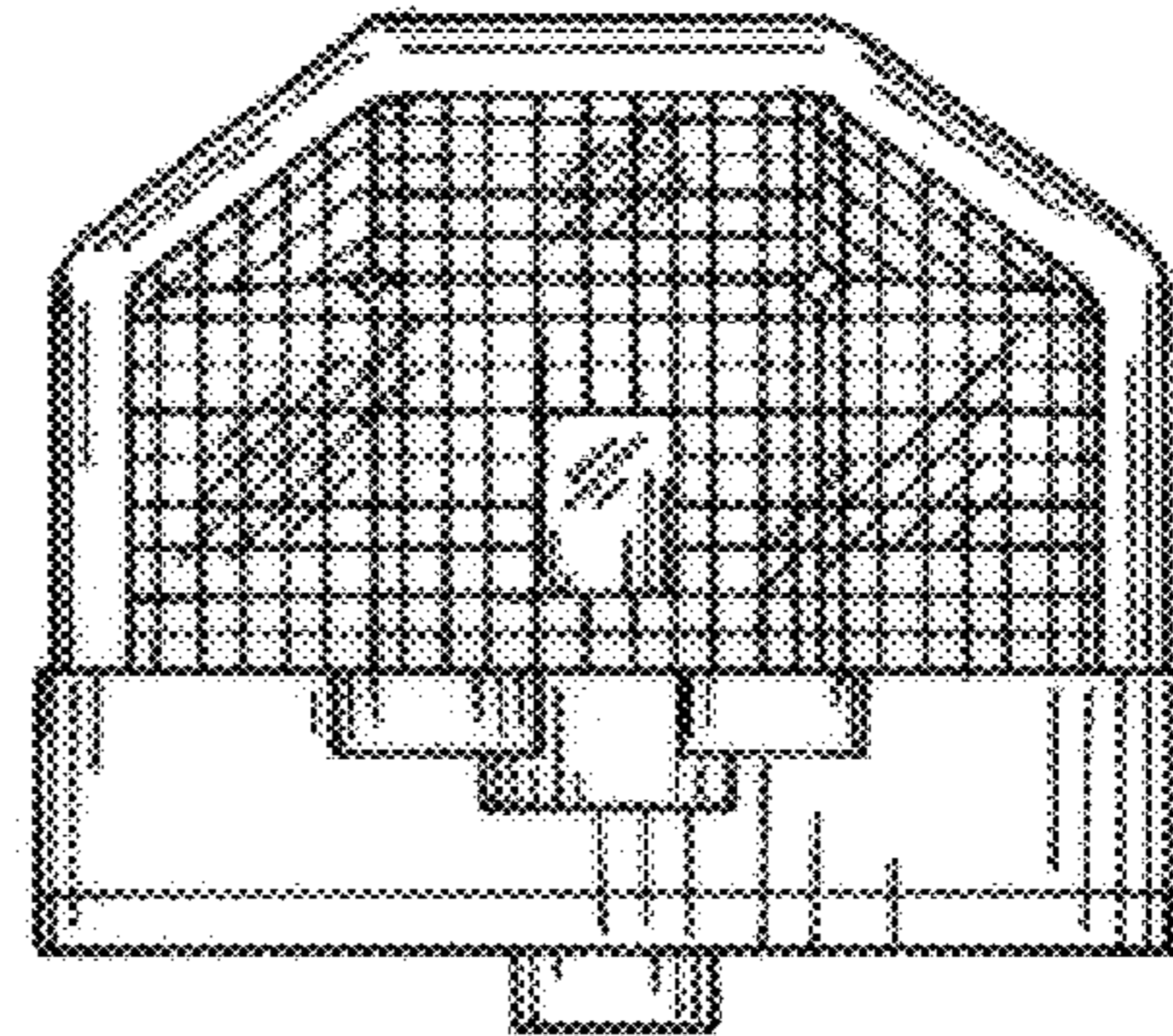


Fig. 4

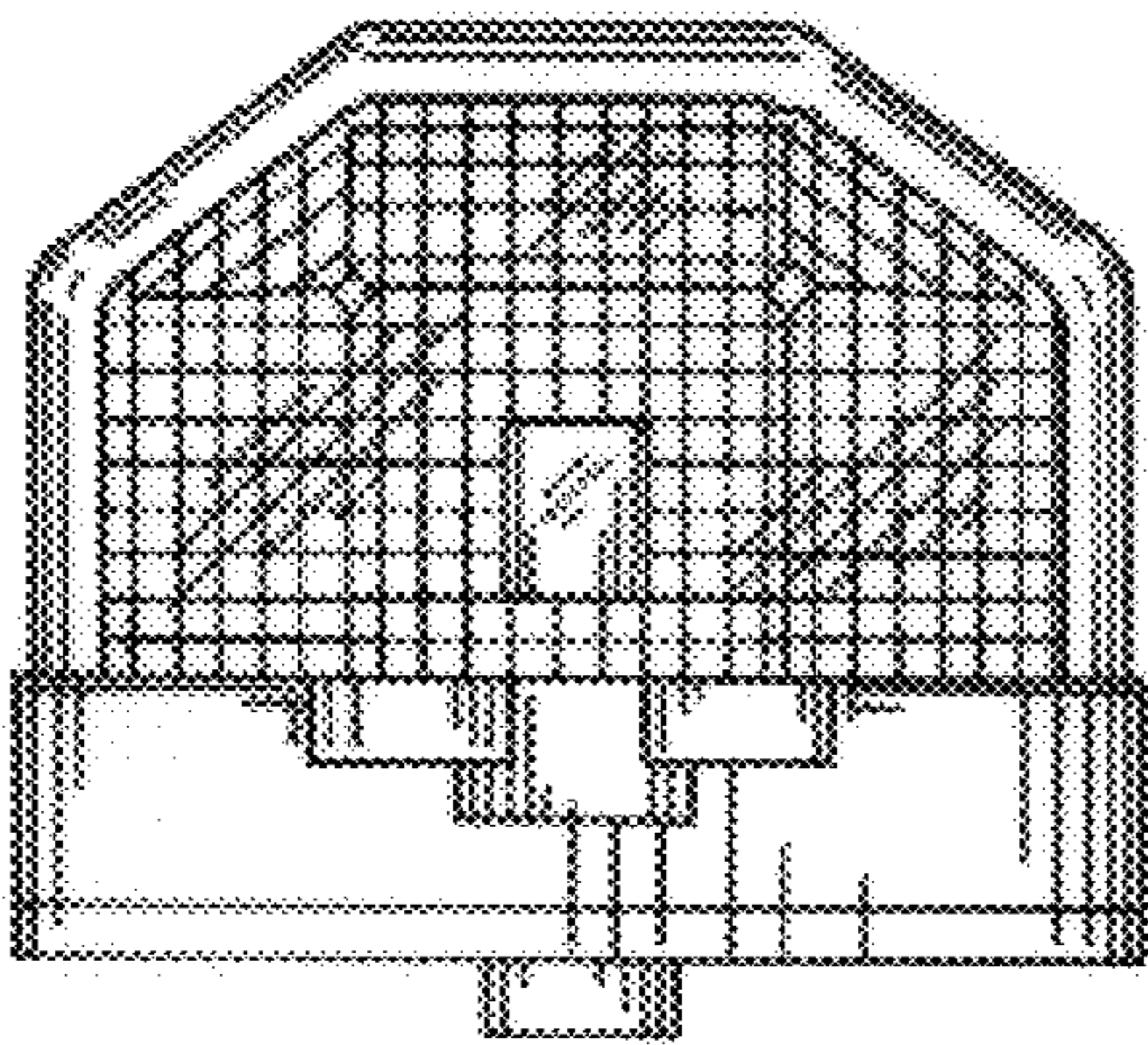


Fig. 5

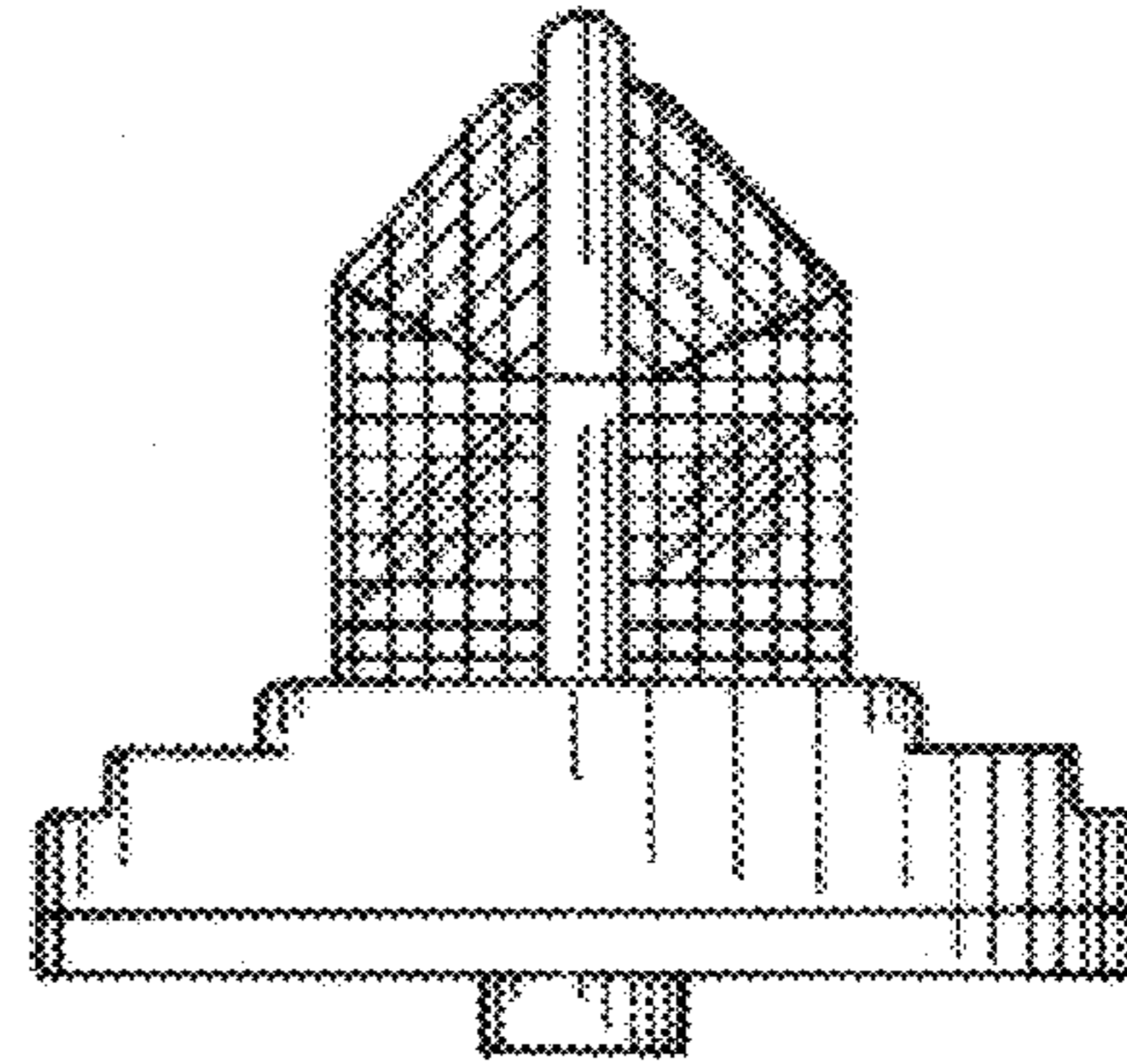


Fig. 6

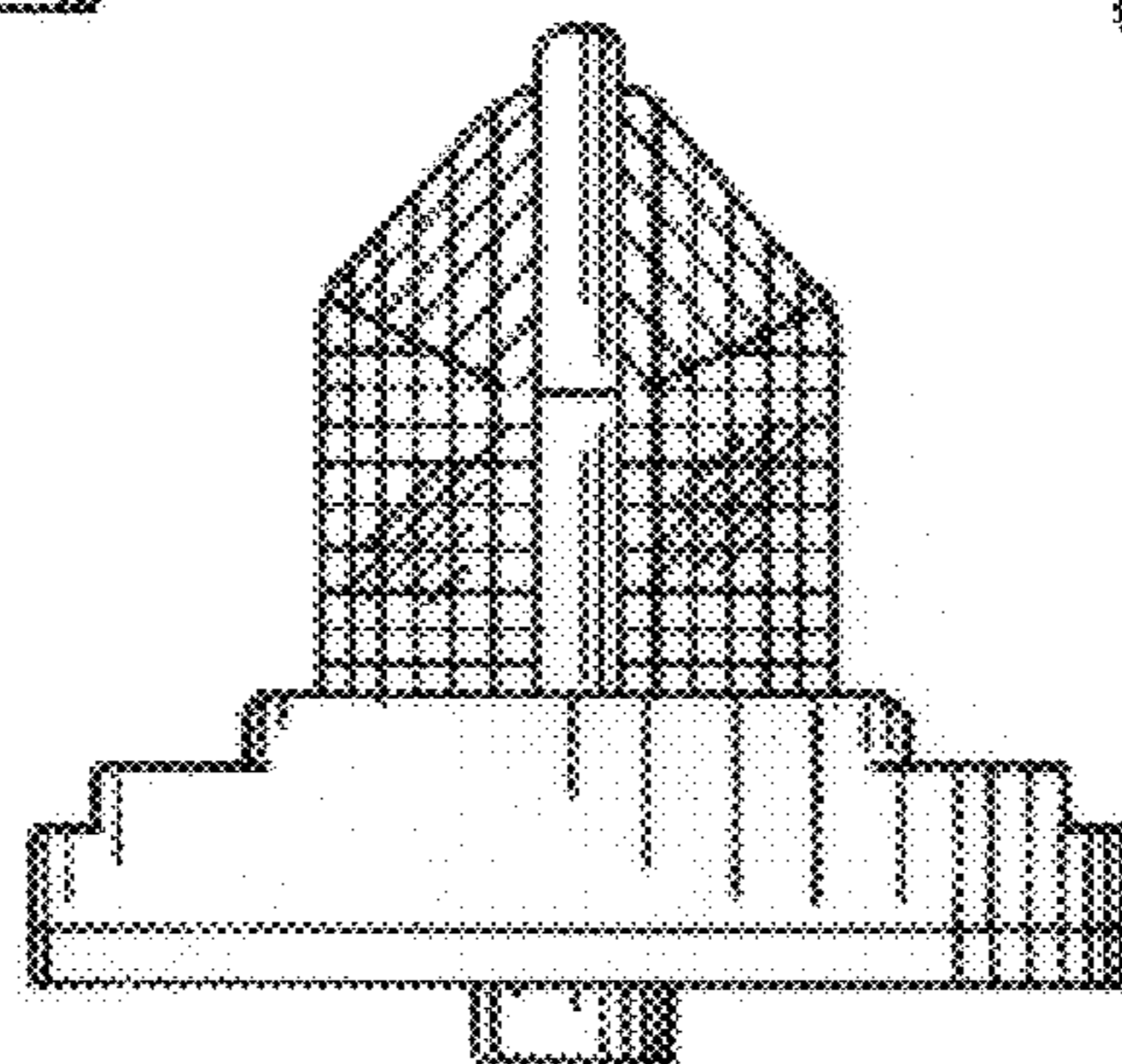


Fig. 7