



US00D619275S

(12) **United States Design Patent**
Pineault et al.

(10) **Patent No.:** **US D619,275 S**
(45) **Date of Patent:** **** Jul. 6, 2010**

(54) **MOTION-ACTIVATED NIGHT LIGHT WITH SWIVEL LENS**

2009/0303729 A1* 12/2009 Liao 362/311.01

(75) Inventors: **Constance Pineault**, Ipswich, MA (US);
Cecily Shin-Li Liu, Salem, MA (US);
Robert J. Schmitt, Jr., Nottingham, NH (US)

(73) Assignee: **OSRAM SYLVANIA Inc.**, Danvers, MA (US)

(**) Term: **14 Years**

(21) Appl. No.: **29/327,190**

(22) Filed: **Oct. 31, 2008**

(51) **LOC (9) Cl.** **26-05**

(52) **U.S. Cl.** **D26/26**

(58) **Field of Classification Search** D26/24,
D26/26, 37, 38, 39, 54, 72, 88, 113, 118,
D26/127, 101, 73, 96, 125, 93; D23/366,
D23/367, 369; 362/640, 641, 642, 643, 644,
362/652, 653, 657, 658, 659, 147, 810, 103,
362/104, 105, 157, 190, 191, 249.1, 249.11,
362/311.01, 311.04, 311.05, 311.13, 311.14,
362/806, 100, 276; D10/5, 15, 104, 114;
D13/137.2

See application file for complete search history.

(56) **References Cited**

U.S. PATENT DOCUMENTS

D249,291 S *	9/1978	Pemberton	D26/85
D516,236 S *	2/2006	Yeh	D26/89
D535,761 S *	1/2007	Li et al.	D26/24
D536,111 S *	1/2007	Li et al.	D26/24
D563,003 S *	2/2008	Aleksjew	D26/37
D571,245 S *	6/2008	Dicke et al.	D10/114
D571,247 S *	6/2008	Barnett	D10/114
D586,028 S *	2/2009	Condon et al.	D26/72
D597,434 S *	8/2009	Yu	D10/114
D600,379 S *	9/2009	Petzl	D26/39
D605,794 S *	12/2009	Engebrigtsen	D26/37
D607,135 S *	12/2009	Levine et al.	D26/80

OTHER PUBLICATIONS

LED lamp sold in the United States since Mar. 2008, prior to application filing date herein (Oct. 31, 2008) by Osram Sylvania under the name DOT-it (R) "Linear Swivel", depicted on website www.sylvania.com/Consumer Products Lifestyle Solutions visited Jun. 11, 2009 (1 page, black & white).

LED motion sensing portable lamp marketed by Philips under the trade name SpotOn, depicted on website www.gizmodo.com/gadgets/brightness-is-spreadin visited prior to present application's filing date (1 page, color).

(Continued)

Primary Examiner—Jennifer Rivard

Assistant Examiner—Angela J Lee

(74) *Attorney, Agent, or Firm*—Edward S. Podszus

(57) **CLAIM**

The ornamental design for a motion-activated night light with swivel lens, as shown and described.

DESCRIPTION

FIG. 1 is a front, right side and bottom perspective view of a night light showing my new design;

FIG. 2 is a front elevational view thereof;

FIG. 3 is a left side elevational view thereof, the right side elevational view being a mirror image of FIG. 3;

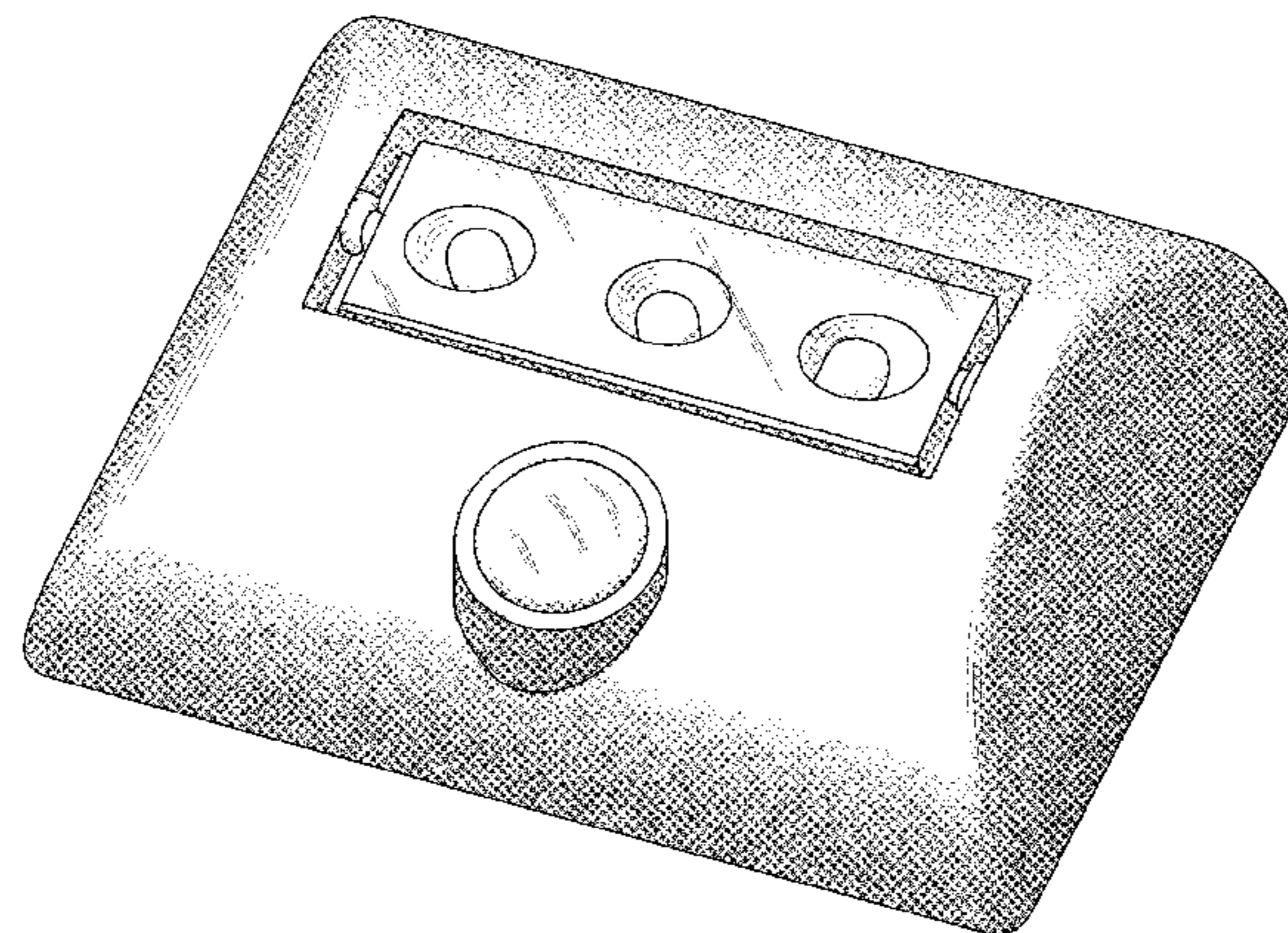
FIG. 4 is a top plan view thereof;

FIG. 5 is a bottom elevational view thereof; and,

FIG. 6 is a rear elevational view thereof.

The portions of the motion-activated night light with swivel lens shown in broken lines form no part of the claimed design.

1 Claim, 5 Drawing Sheets



OTHER PUBLICATIONS

LED light marketed under trade name Datexx Sentina LED smart Light, depicted on website www.lifewithease.com/emergency_light.html visited prior to present application's filing date (1 page, color).

Motion activated 6-LED Lamp marketed under the trade name "PIR Auto LED Light" (made in PRC), depicted on website www.dealextreme.com/details.dx/sku.3156 visited prior to present application's filing date (1 page, color).

LED Lamp marketed under trade name Maxxima MLS-10, 2 LED AC/DC Occupancy sensor light, depicted on website www.maxximastyle.com/Merchant2 visited prior to present application's filing date (1 page, color).

One sheet showing views of six (6) various motion-photo-sensor LED lights, printed from respective websites, as indicated thereon, visited prior to present application's filing date (1 page color, 6 collected different product views).

* cited by examiner

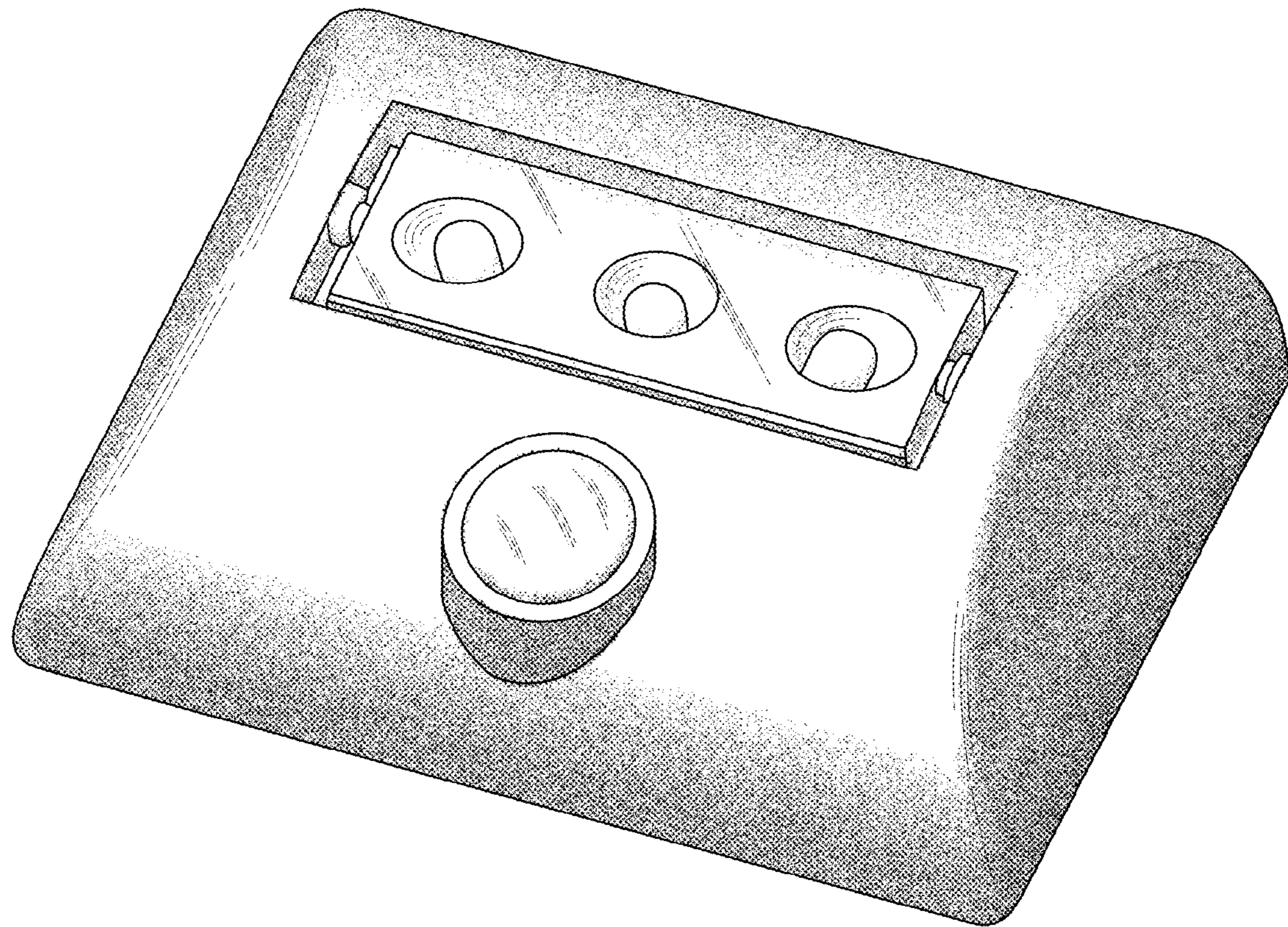


Fig. 1

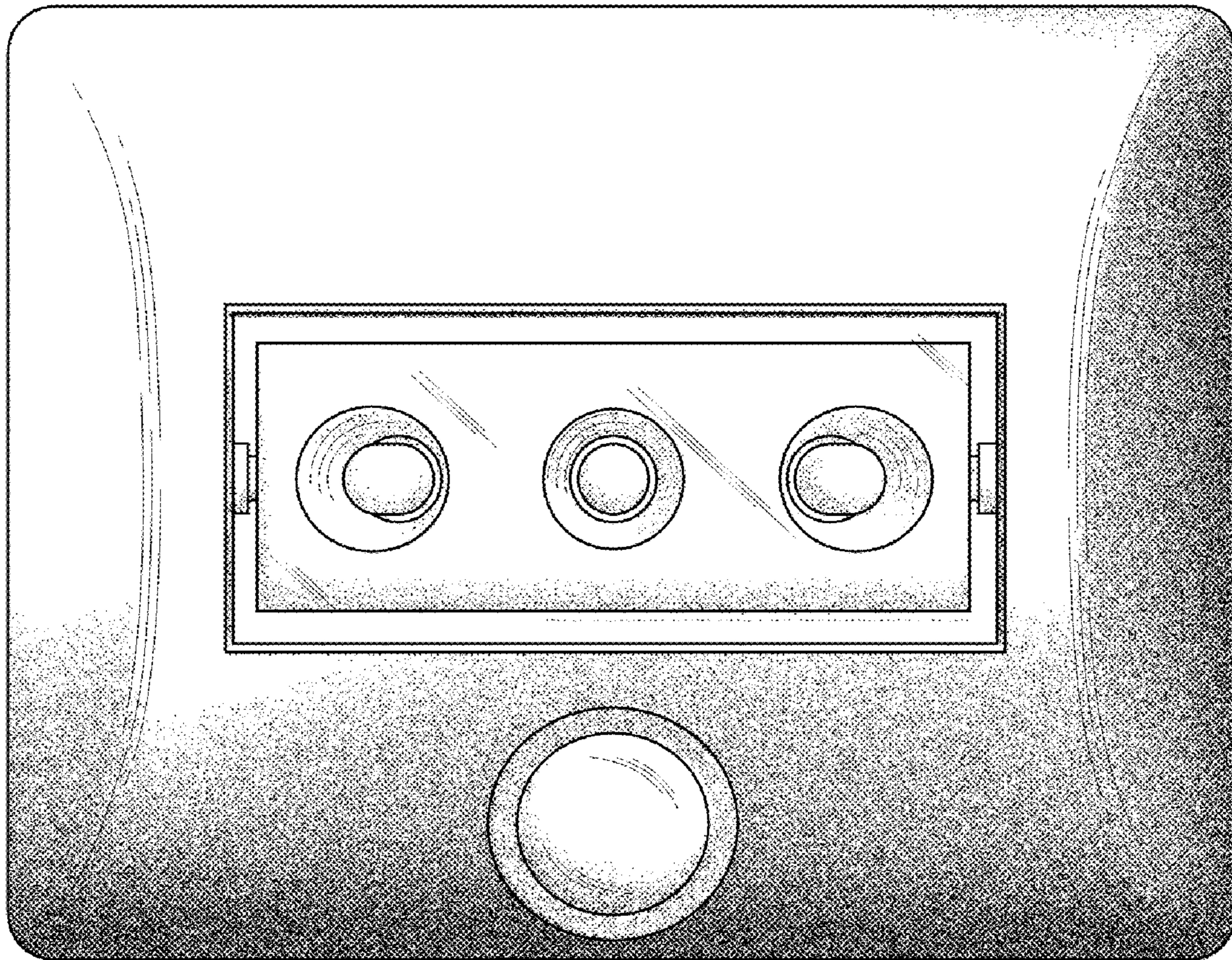


Fig. 2

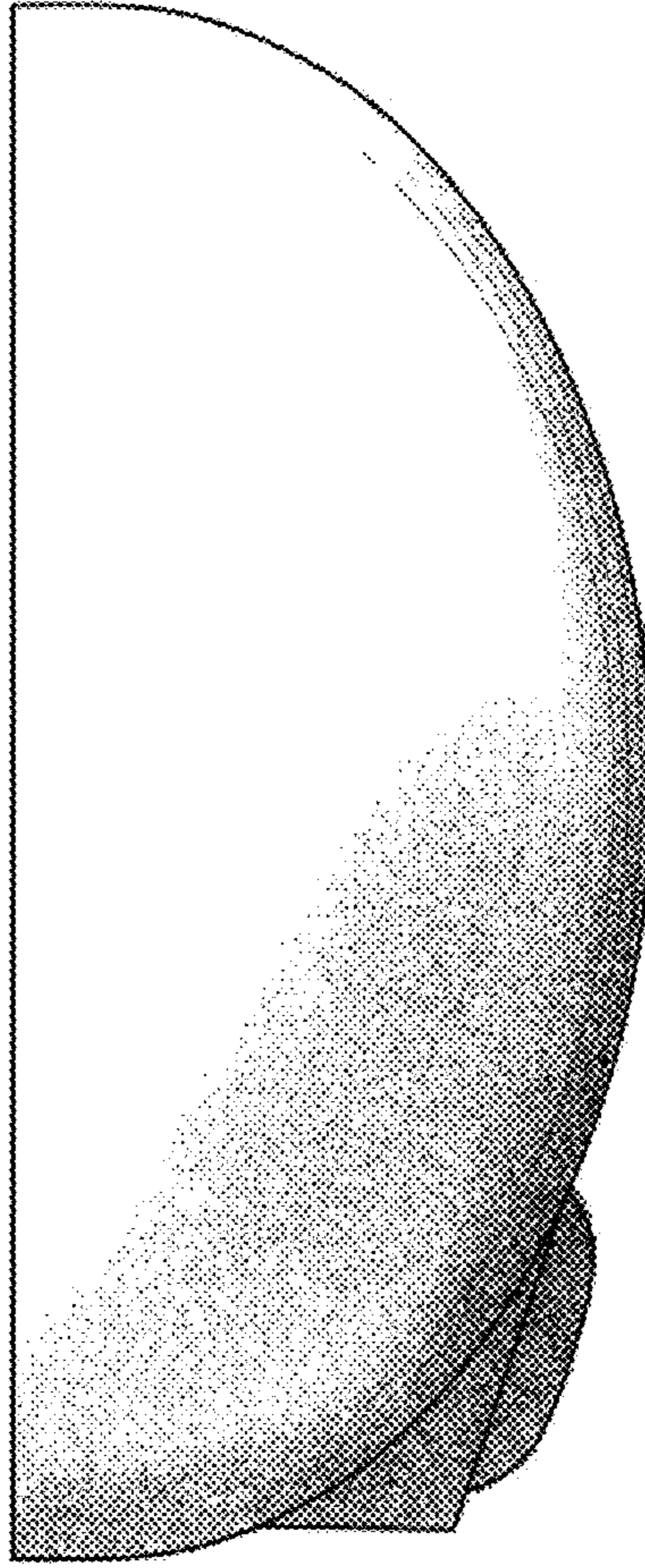


Fig. 3

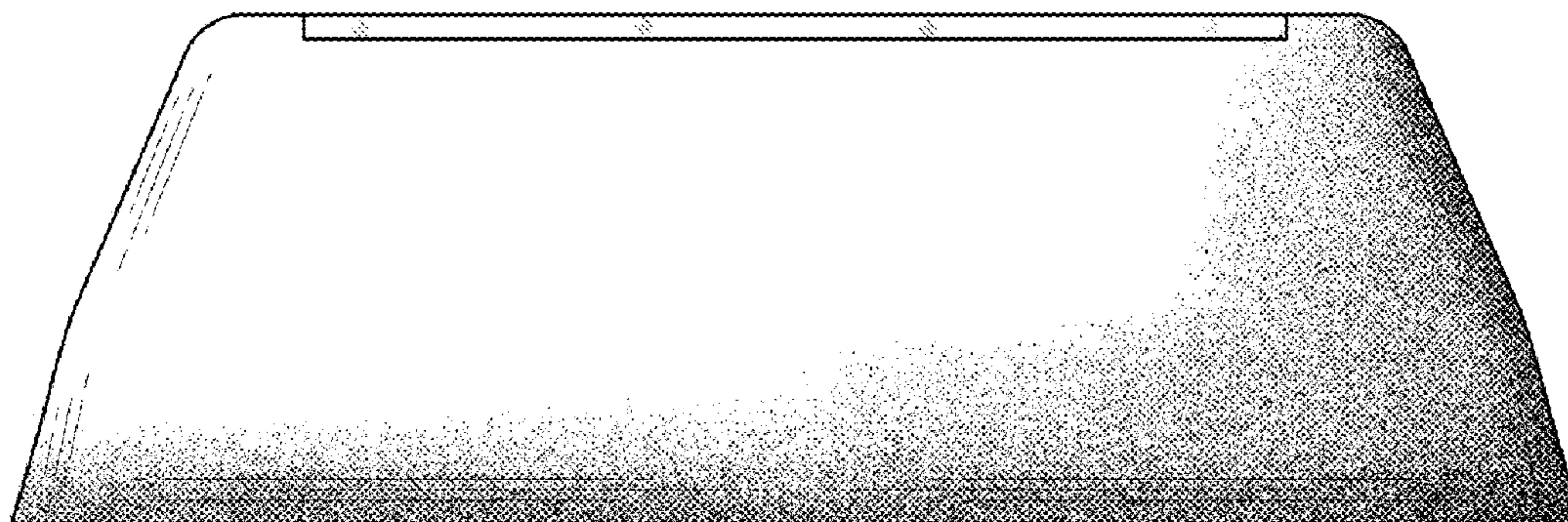


Fig. 4

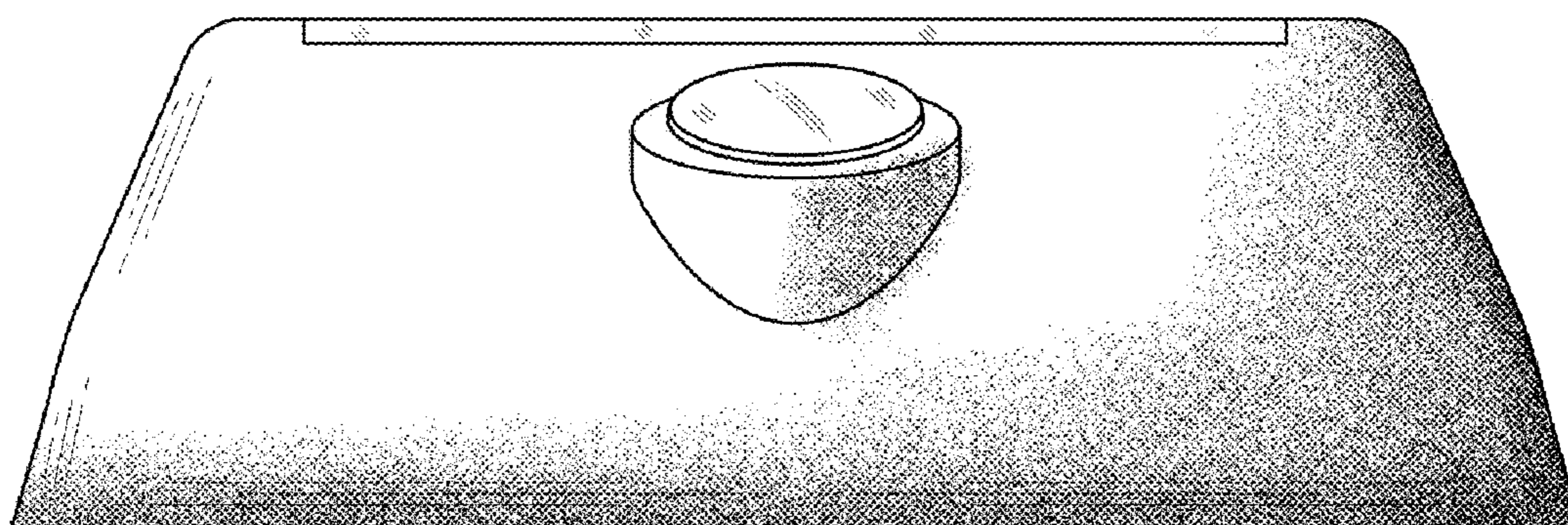


Fig. 5



Fig. 6