



US00D619270S

(12) **United States Design Patent**
Charette

(10) **Patent No.:** **US D619,270 S**
(45) **Date of Patent:** **** Jul. 6, 2010**

(54) **T-SHAPED STAIR STRINGER AND STAIR FRAME**

DESCRIPTION

(76) Inventor: **Pierre Charette**, 4521 rue des Carouges,
Notre-Dame-du-Mont-Carmel, Quebec
(CA) G0X 3J0

(**) Term: **14 Years**

(21) Appl. No.: **29/347,338**

(22) Filed: **Dec. 9, 2009**

(51) **LOC (9) Cl.** **25-04**

(52) **U.S. Cl.** **D25/62**

(58) **Field of Classification Search** D25/62;
52/188, 191

See application file for complete search history.

(56) **References Cited**

U.S. PATENT DOCUMENTS

2,021,457	A *	11/1935	MacKenzie	52/191
2,724,466	A *	11/1955	Phillips	52/191
5,806,254	A *	9/1998	Bennett	52/182
D607,580	S *	1/2010	Charette	D25/62

* cited by examiner

Primary Examiner—Doris Clark

(74) *Attorney, Agent, or Firm*—Hoffman Wasson & Gitler

(57) **CLAIM**

The ornamental design for a T-shaped stair stringer and stair frame, as shown, and described.

FIG. 1 is a front view of the T-shaped stair stringer and stair frame;

FIG. 2 is a back view of the T-shaped stair stringer and stair frame;

FIG. 3 is a left-side view of the T-shaped stair stringer and stair frame;

FIG. 4 is a right side view of the T-shaped stair stringer and stair frame;

FIG. 5 is a bottom view of the T-shaped stair stringer and stair frame;

FIG. 6 is a top view of the T-shaped stair stringer and stair frame;

FIG. 7 is a perspective view of the T-shaped stair stringer and stair frame;

FIG. 8 is a perspective view of a second embodiment of the T-shaped stair stringer and stair frame;

FIG. 9 is a perspective view of a third embodiment of the T-shaped stair stringer and stair frame;

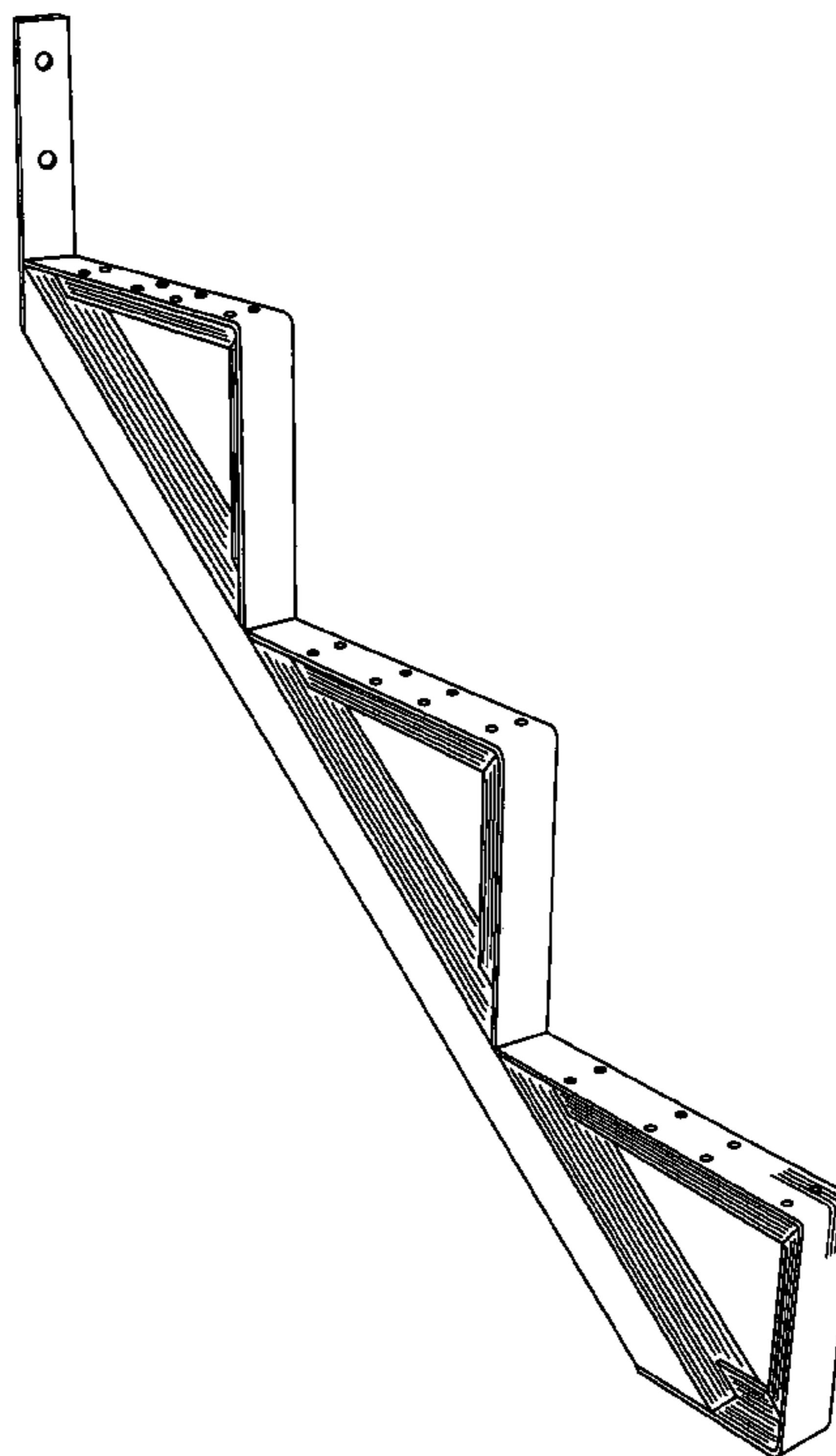
FIG. 10 is a perspective view of a fourth embodiment of the T-shaped stair stringer and stair frame;

FIG. 11 is a perspective view of a fifth embodiment of the T-shaped stair stringer and stair frame;

FIG. 12 is a perspective view of a sixth embodiment of the T-shaped stair stringer and stair frame; and,

FIG. 13 is a bottom view of a seventh embodiment of the T-shaped stair stringer and stair frame.

1 Claim, 13 Drawing Sheets



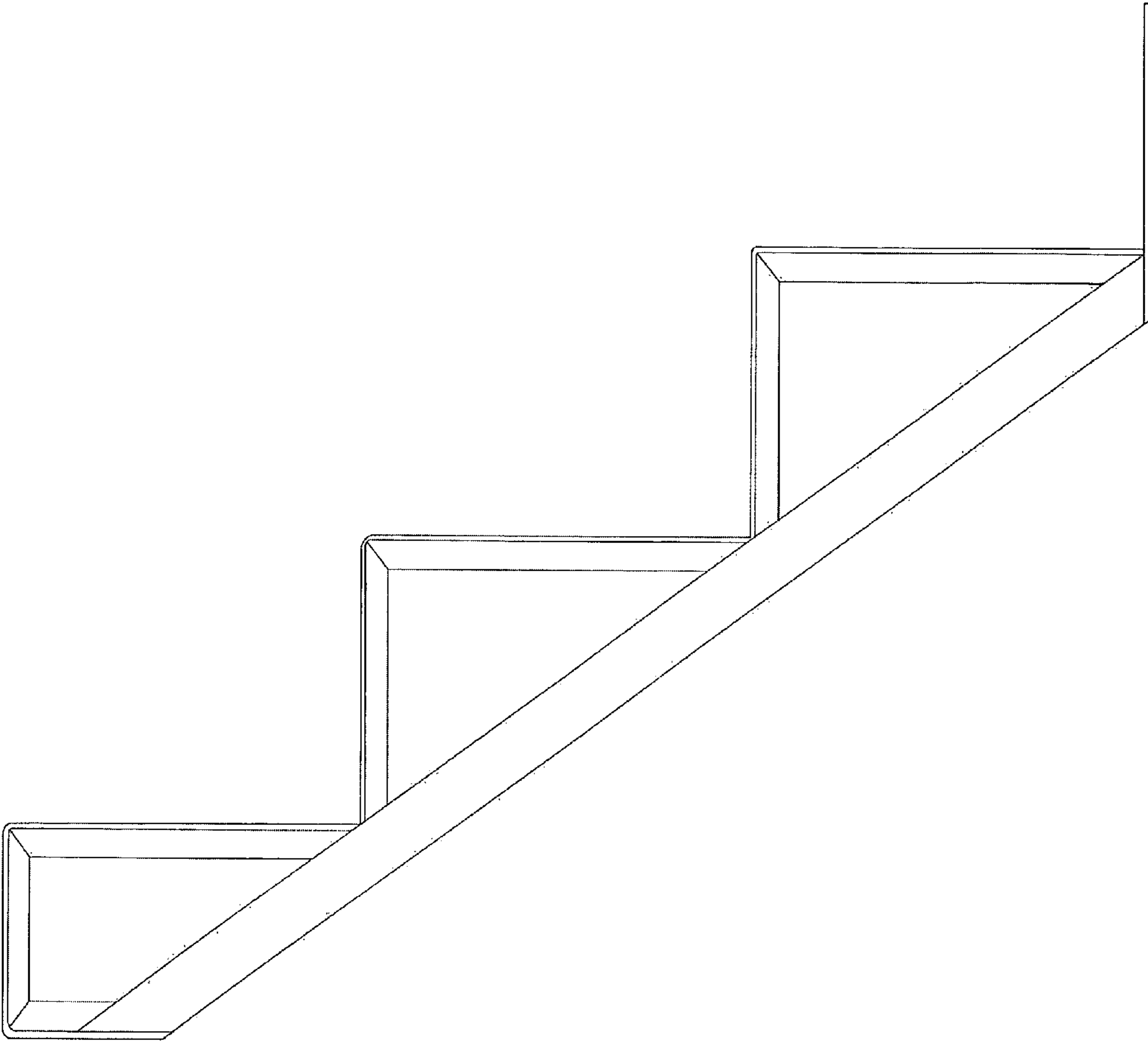


FIGURE 1

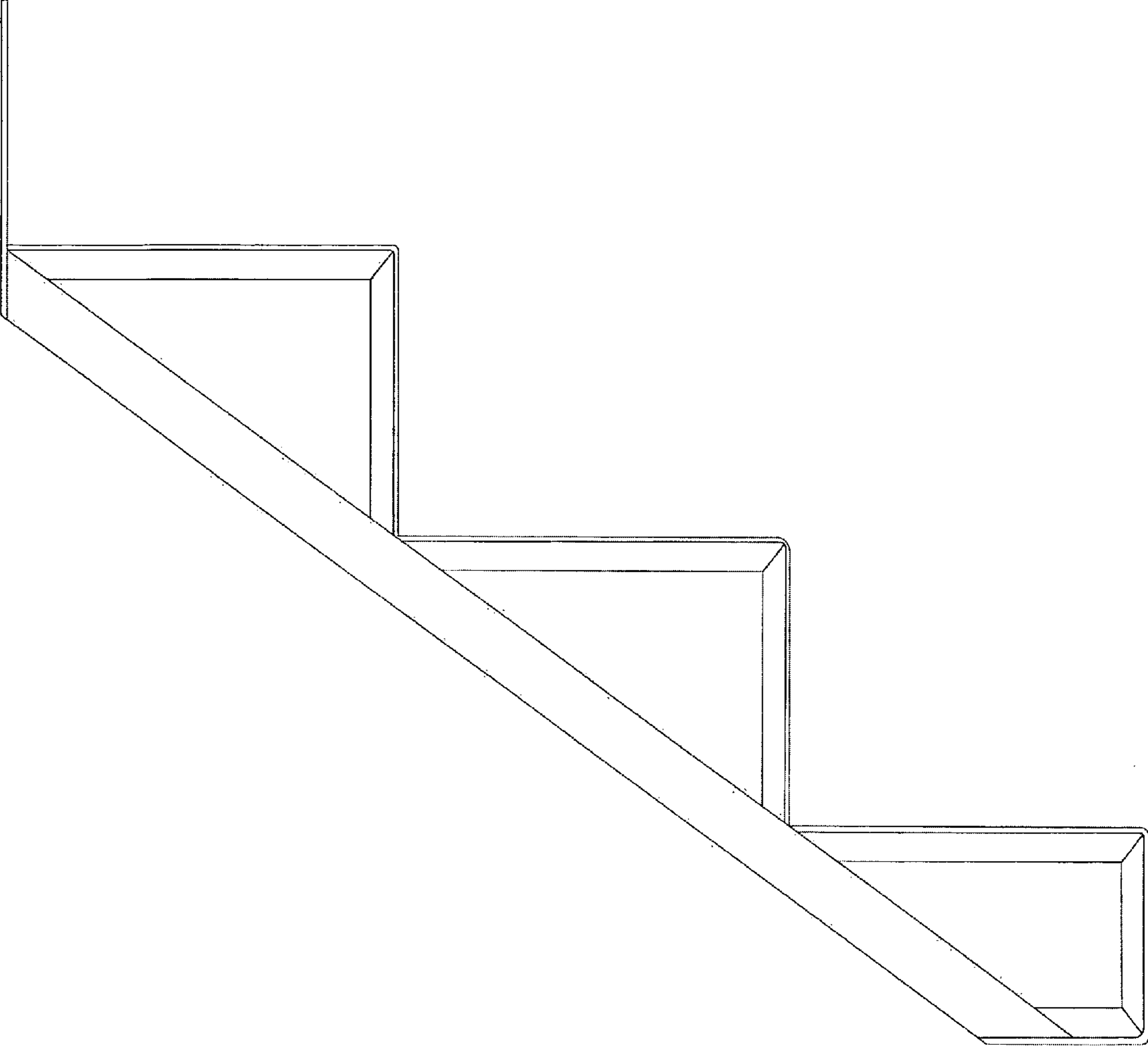


FIGURE 2



FIGURE 3



FIGURE 4



FIGURE 5

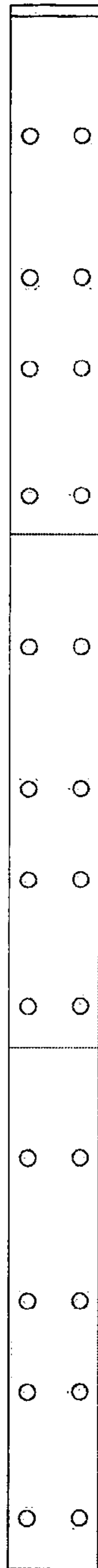


FIGURE 6

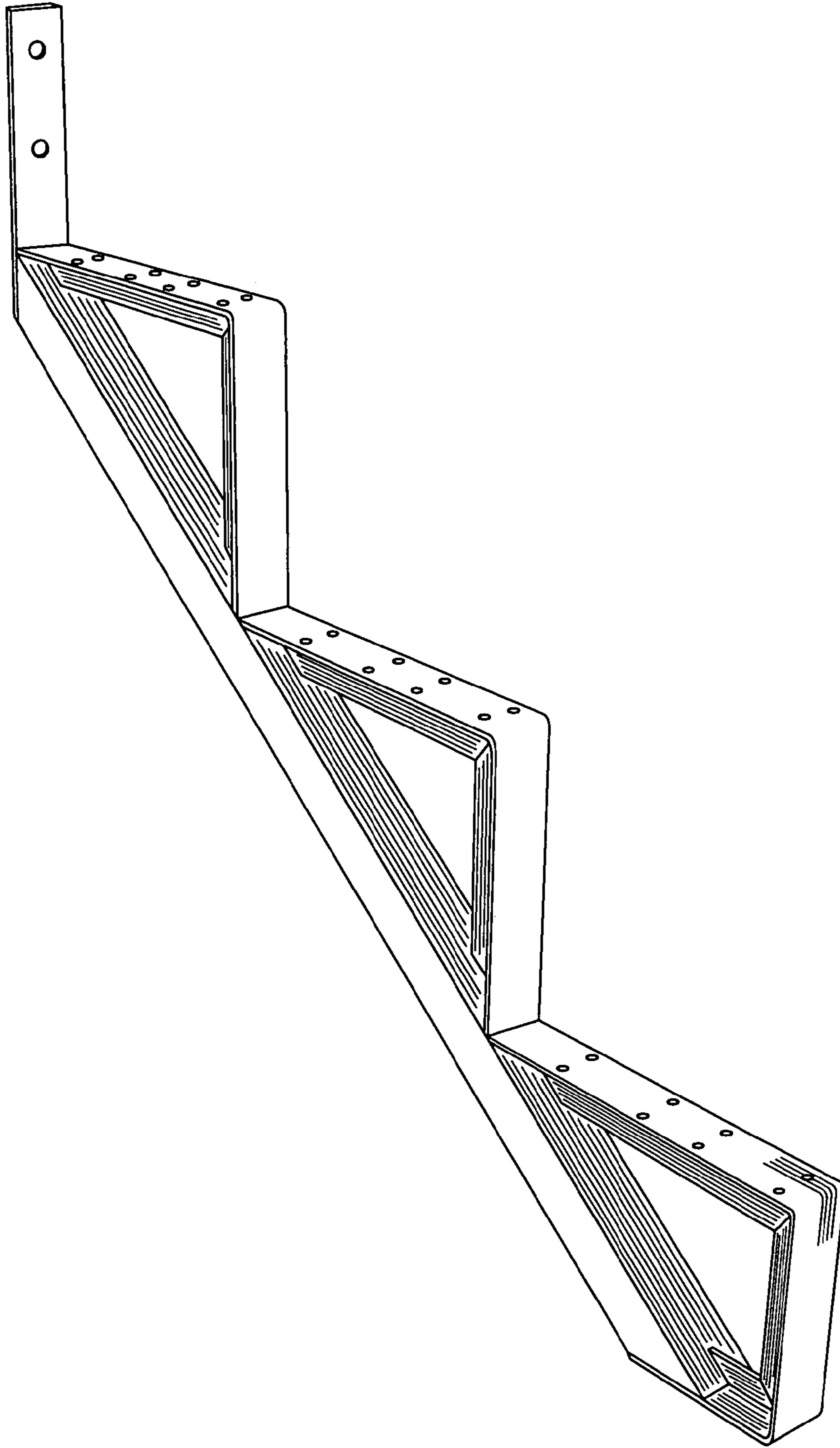


FIGURE 7

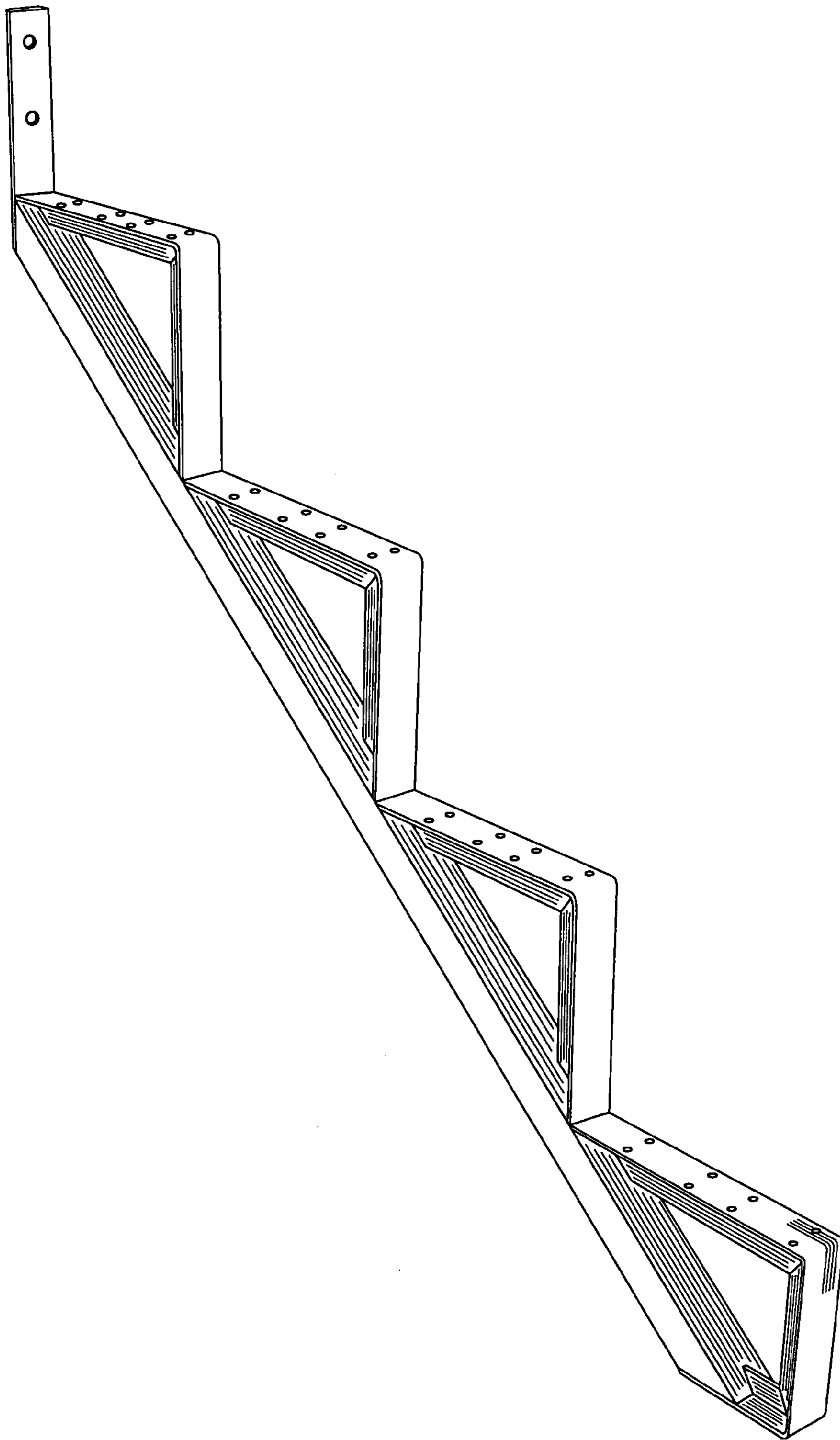


FIGURE 8

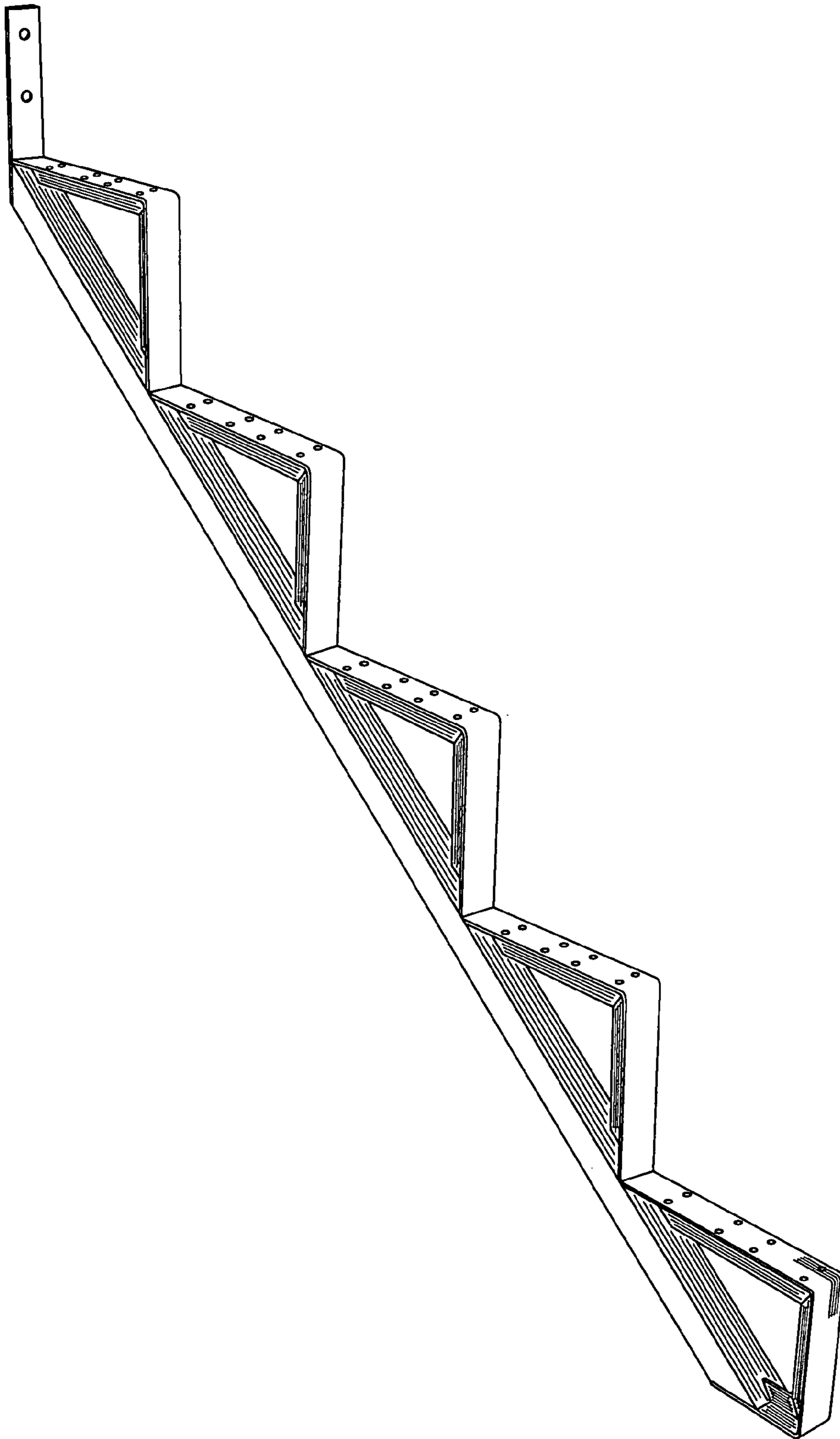


FIGURE 9

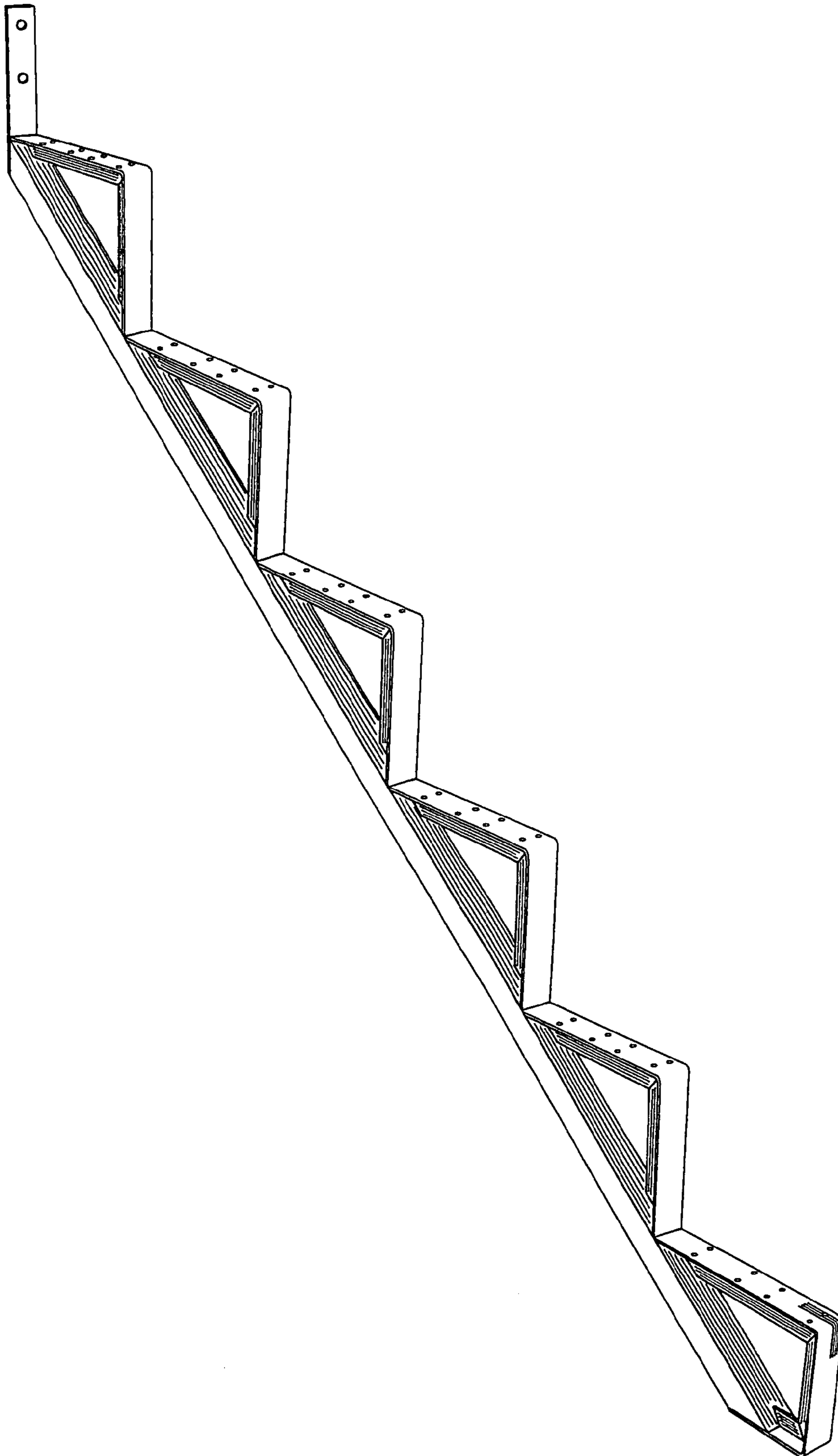


FIGURE 10

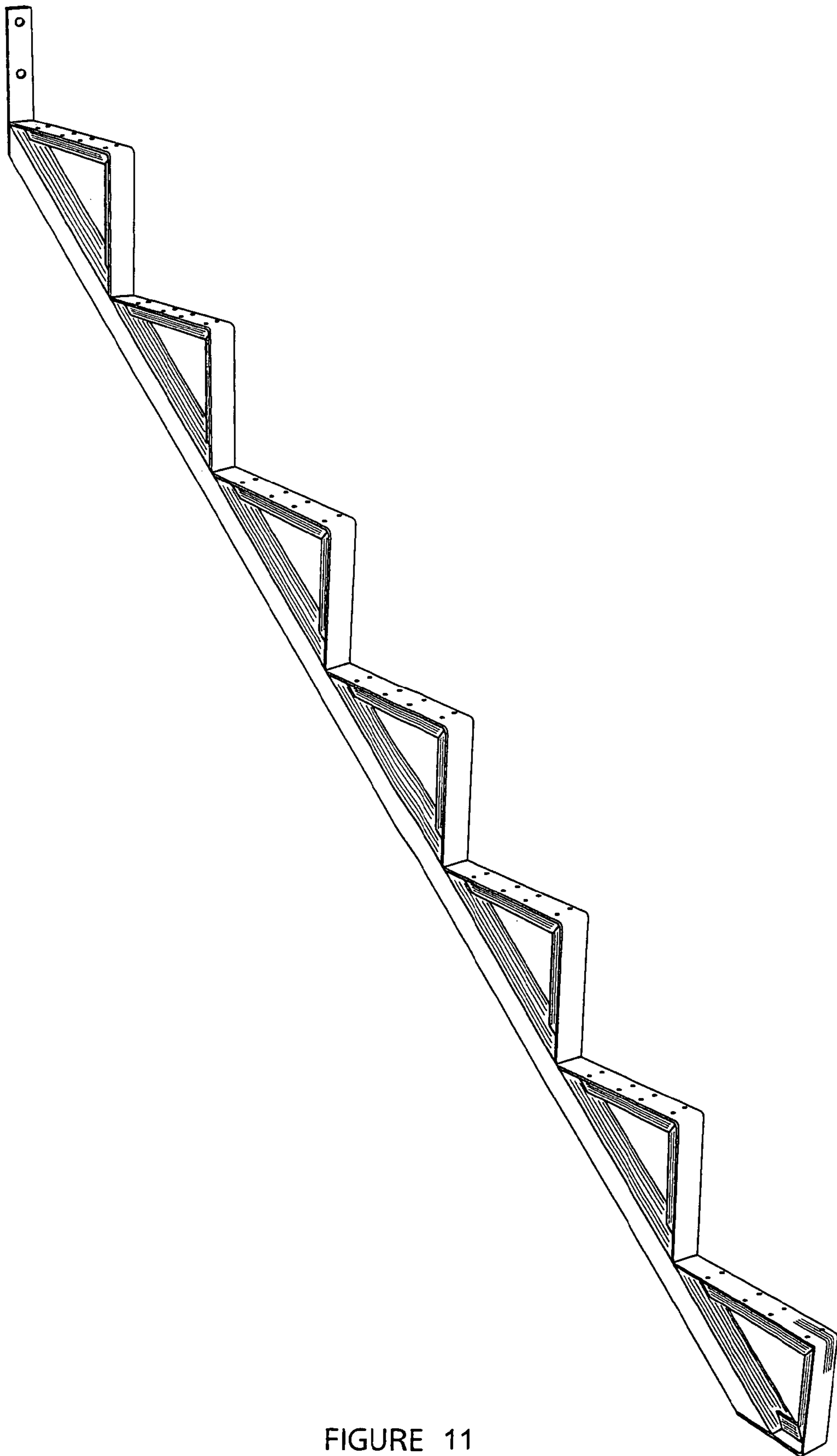


FIGURE 11

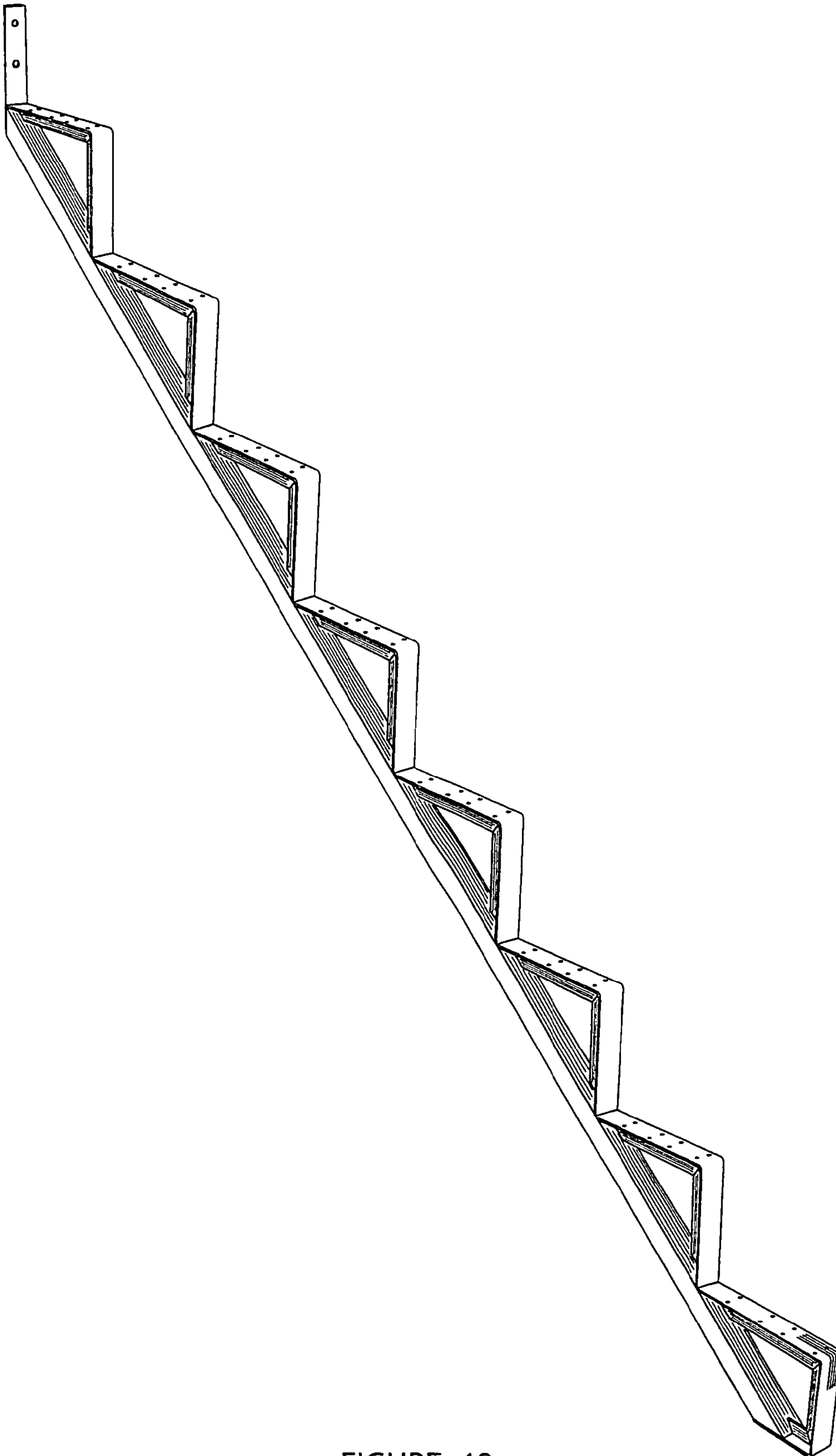


FIGURE 12

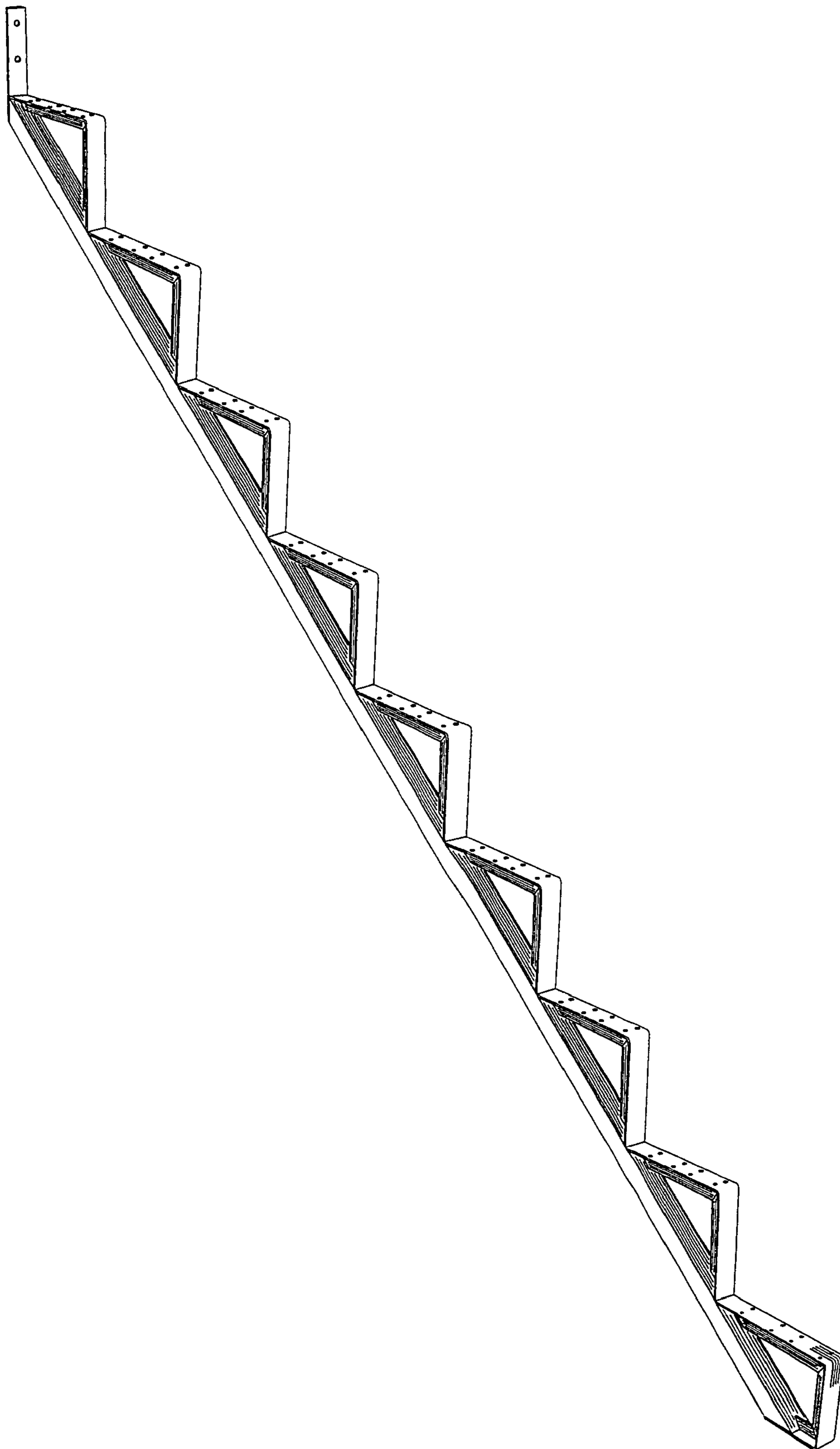


FIGURE 13