



US00D619264S

(12) **United States Design Patent**  
**Livengood et al.**

(10) **Patent No.:** **US D619,264 S**

(45) **Date of Patent:** **\*\* Jul. 6, 2010**

(54) **PATIENT SUPPORT CART**

(75) Inventors: **Joseph C. Livengood**, Fort Collins, CO (US); **Amy L. Livengood**, Fort Collins, CO (US); **Justin M. Nittman**, Longmont, CO (US); **Barry T. Phillips**, Fort Collins, CO (US)

5,115,539 A 5/1992 Lee  
5,117,521 A 6/1992 Foster et al.  
5,118,127 A 6/1992 Partington  
5,128,117 A 7/1992 Olry et al.  
5,261,682 A 11/1993 Chuang  
5,306,109 A 4/1994 Kreuzer et al.

(Continued)

(73) Assignee: **Livengood Engineering, Inc.**, Fort Collins, CO (US)

**FOREIGN PATENT DOCUMENTS**

CA 2149336 8/1994

(\*\*) Term: **14 Years**

(Continued)

(21) Appl. No.: **29/325,581**

**OTHER PUBLICATIONS**

(22) Filed: **Oct. 2, 2008**

Author Unknown, "Computer Carts; StyleView™ Cart with CF™", Ergotron, as early as Oct. 10, 2004, pp. 1-2, available at [http://www.ergotron.com/3\\_products/carts/sview/default.asp](http://www.ergotron.com/3_products/carts/sview/default.asp).

(51) **LOC (9) Cl.** ..... **24-01**

(52) **U.S. Cl.** ..... **D24/185**

(58) **Field of Classification Search** ..... D20/169, D20/172, 176, 183-185, 234, 231; 280/47.35, 280/79.3, 79.11, 87.01; D6/406.1, 509, 427, D6/482, 511; D13/163; D34/12, 14, 19-21  
See application file for complete search history.

(Continued)

*Primary Examiner*—Janice E Seeger  
*Assistant Examiner*—Mary Ann Calabrese  
(74) *Attorney, Agent, or Firm*—Sheridan Ross P.C.

(56) **References Cited**

(57) **CLAIM**

**U.S. PATENT DOCUMENTS**

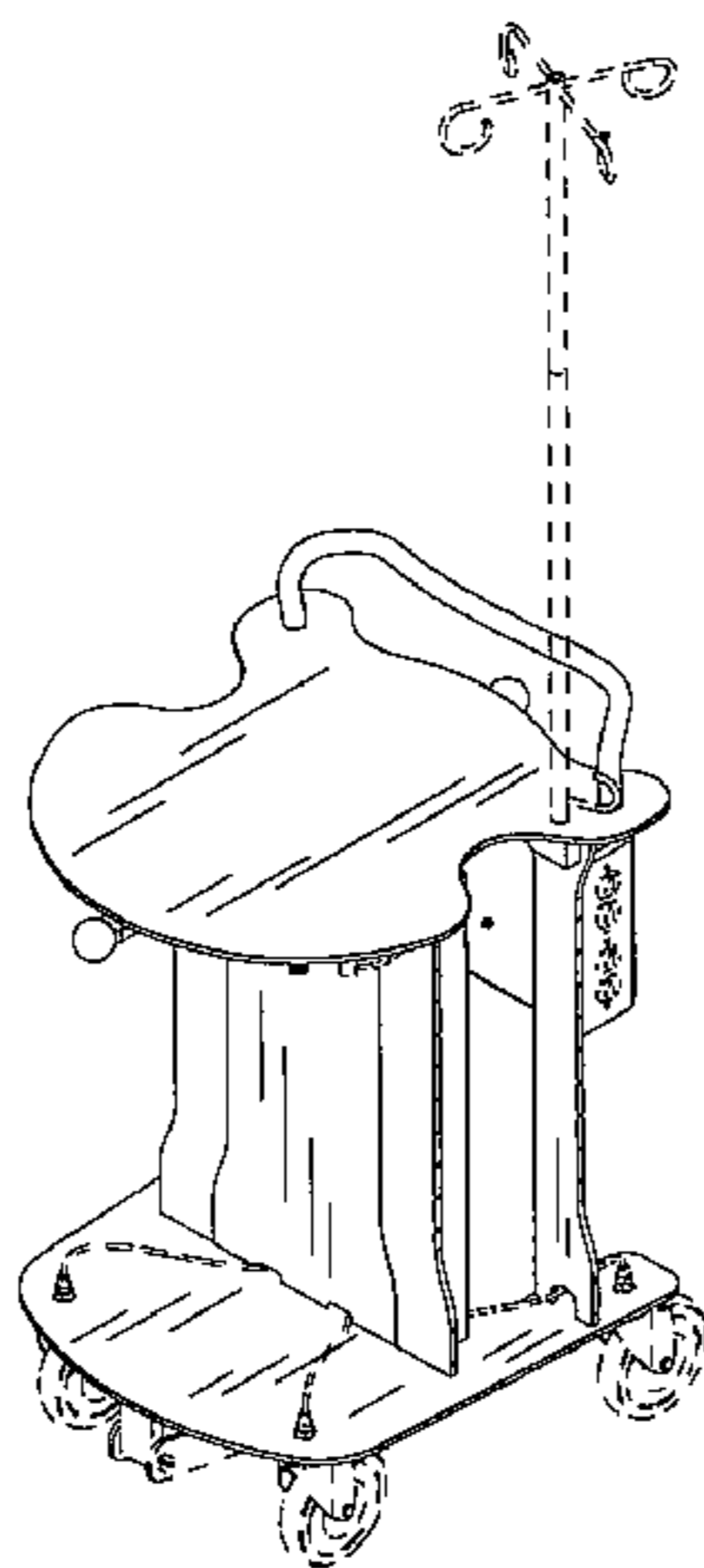
The ornamental design for a patient support cart, as shown and described.

- 1,793,353 A 2/1931 Benson
- 2,712,366 A 7/1955 Skupas
- 2,783,055 A 2/1957 Michaud
- 3,441,974 A 5/1969 Dean
- 3,831,960 A 8/1974 Walton
- 3,951,426 A 4/1976 Shaffer et al.
- 4,093,900 A 6/1978 Plunkett
- 4,302,025 A 11/1981 Waddell et al.
- 4,385,414 A 5/1983 Damico
- 4,511,157 A 4/1985 Wilt
- 4,515,235 A 5/1985 Yamamoto et al.
- 4,832,294 A 5/1989 Eidem
- 4,970,900 A 11/1990 Shepherd et al.
- 4,998,320 A 3/1991 Lange
- 5,083,625 A 1/1992 Bleicher
- 5,083,807 A 1/1992 Bobb et al.
- 5,094,418 A 3/1992 McBarnes, Jr. et al.
- 5,112,019 A 5/1992 Metzler et al.

**DESCRIPTION**

FIG. 1 is a front perspective view of a patient support cart showing our new design;  
FIG. 2 is a top plan view thereof;  
FIG. 3 is a bottom plan view thereof;  
FIG. 4 is a right elevation view thereof;  
FIG. 5 is a front elevation view thereof;  
FIG. 6 is a left elevation view thereof; and,  
FIG. 7 is a rear elevation view thereof.  
The dashed lines shown in the figures represent environment and forms no part of the claimed design.

**1 Claim, 5 Drawing Sheets**



# US D619,264 S

Page 2

## U.S. PATENT DOCUMENTS

5,319,816	A	6/1994	Ruehl	
5,337,992	A	8/1994	Pryor et al.	
5,344,169	A	9/1994	Pryor et al.	
5,358,205	A	10/1994	Starkey et al.	
5,377,372	A	1/1995	Rudolf et al.	
5,411,044	A	5/1995	Andolfi	
5,509,680	A	4/1996	Scharf et al.	
5,551,105	A	9/1996	Short	
5,699,988	A	12/1997	Boettger et al.	
5,704,577	A	1/1998	Gordon	
5,735,367	A	4/1998	Brubaker	
5,774,936	A	7/1998	Vetter	
5,857,685	A *	1/1999	Phillips et al.	..... 280/47.35
5,898,961	A	5/1999	Ambach et al.	
6,000,486	A	12/1999	Romick et al.	
6,073,285	A	6/2000	Ambach et al.	
6,098,732	A	8/2000	Romick et al.	
6,099,002	A	8/2000	Uchiyama	
6,123,346	A	9/2000	Baldwin	
6,179,260	B1	1/2001	Ohanian	
D438,952	S	3/2001	Cimino et al.	
6,231,016	B1	5/2001	Slone	
D447,567	S	9/2001	Murphy et al.	
6,286,183	B1	9/2001	Stickel et al.	
6,315,308	B1 *	11/2001	Konopka	..... 280/47.35
6,375,133	B1	4/2002	Morrow	
6,394,470	B1	5/2002	Shirai	
D467,001	S	12/2002	Buczek et al.	
6,494,469	B1	12/2002	Hara et al.	
6,602,227	B1	8/2003	Cimino et al.	
6,626,445	B2	9/2003	Murphy et al.	
6,708,991	B1	3/2004	Ortlieb	
6,865,775	B2	3/2005	Ganance	
6,874,800	B2	4/2005	George	
6,971,656	B2	12/2005	Lin	
D518,267	S *	3/2006	Arceta	..... D34/14

7,182,350	B1	2/2007	Liao	
D598,107	S *	8/2009	West et al.	..... D24/185
2002/0068914	A1	6/2002	Ikeda	
2002/0096608	A1	7/2002	Cedarberg	
2004/0036386	A1	2/2004	Olivera	
2004/0046487	A1	3/2004	Olivera et al.	
2004/0059303	A1	3/2004	Anderson et al.	
2004/0105733	A1	6/2004	Hewitt	
2005/0023787	A1	2/2005	Haynes	
2006/0082088	A1	4/2006	Webster et al.	
2006/0163829	A1	7/2006	Livengood et al.	
2007/0107761	A1	5/2007	Kovachi et al.	
2009/0085317	A1 *	4/2009	Livengood et al.	..... 280/79.3

## FOREIGN PATENT DOCUMENTS

GB	2312055	8/1996
WO	WO 00/09061	2/2000
WO	WO 02/15837	2/2002
WO	WO 02/24252	3/2002
WO	WO 03/016719	2/2003
WO	03094817 A1	11/2003

## OTHER PUBLICATIONS

Official Action for U.S. Appl. No. 11/329,860, mailed Jun. 20, 2008, pp. 1-12.

Written Opinion for International (PCT) Patent Application No. PCT/US06/00893, mailed Aug. 8, 2008.

International Preliminary Report on Patentability (PCT) Patent Application No. PCT/US2006/000893, mailed May 14, 2009.

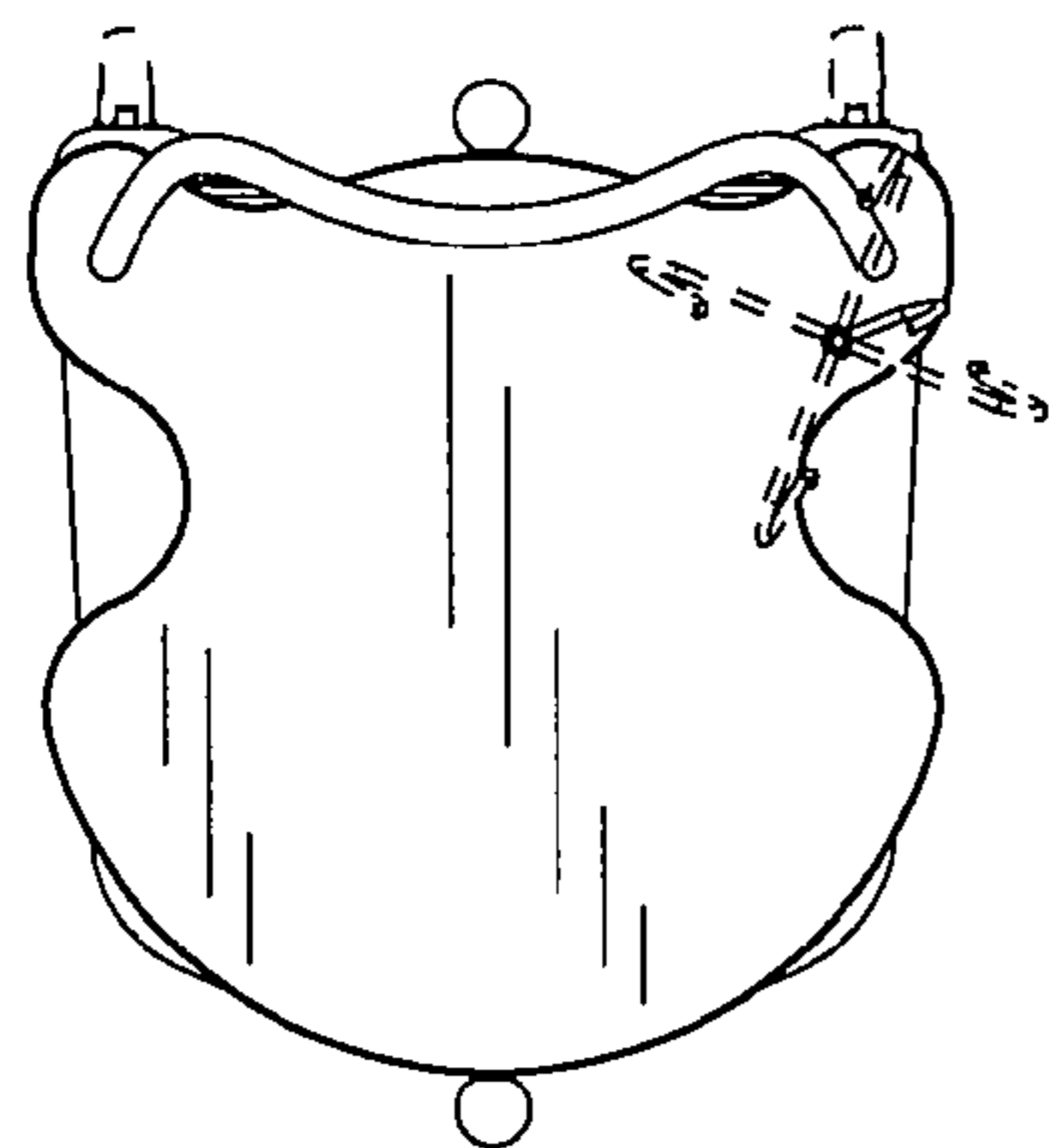
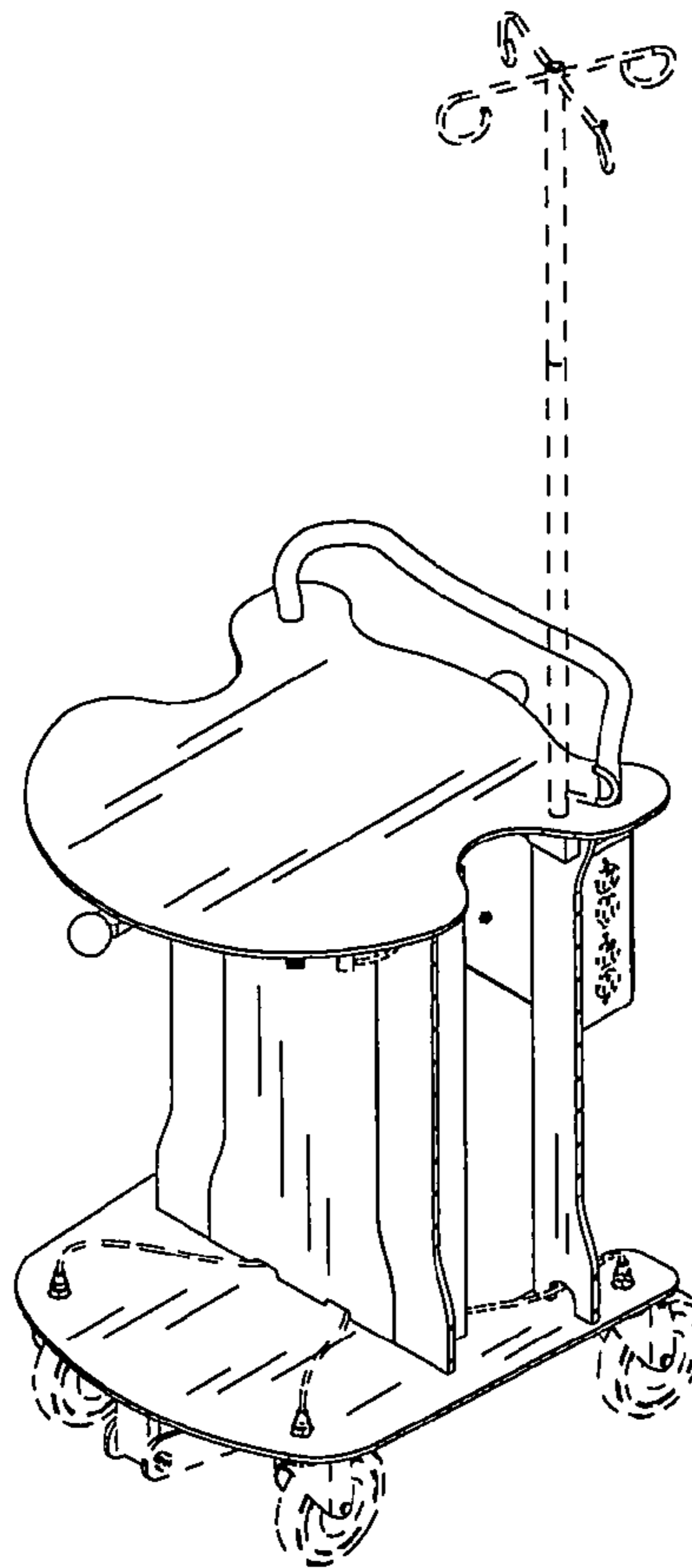
International Search Report for International (PCT) Patent Application No. PCT/US08/078609, mailed Dec. 3, 2008.

Written Opinion for International (PCT) Patent Application No. PCT/US08/078609, mailed Dec. 3, 2008.

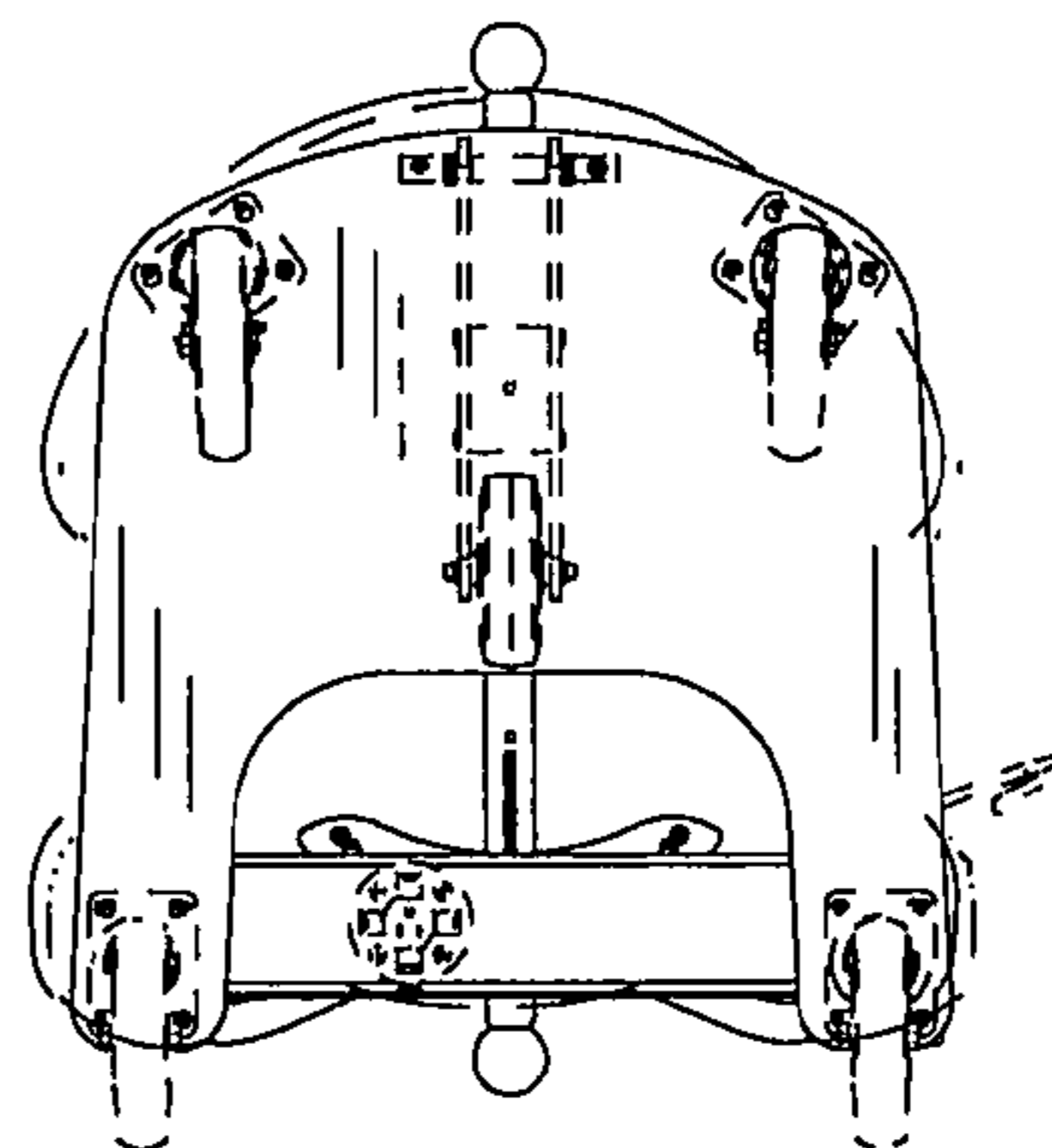
Examiner's Report for Canadian Design Patent Application No. 130231, mailed Nov. 20, 2009, 3 pages.

\* cited by examiner

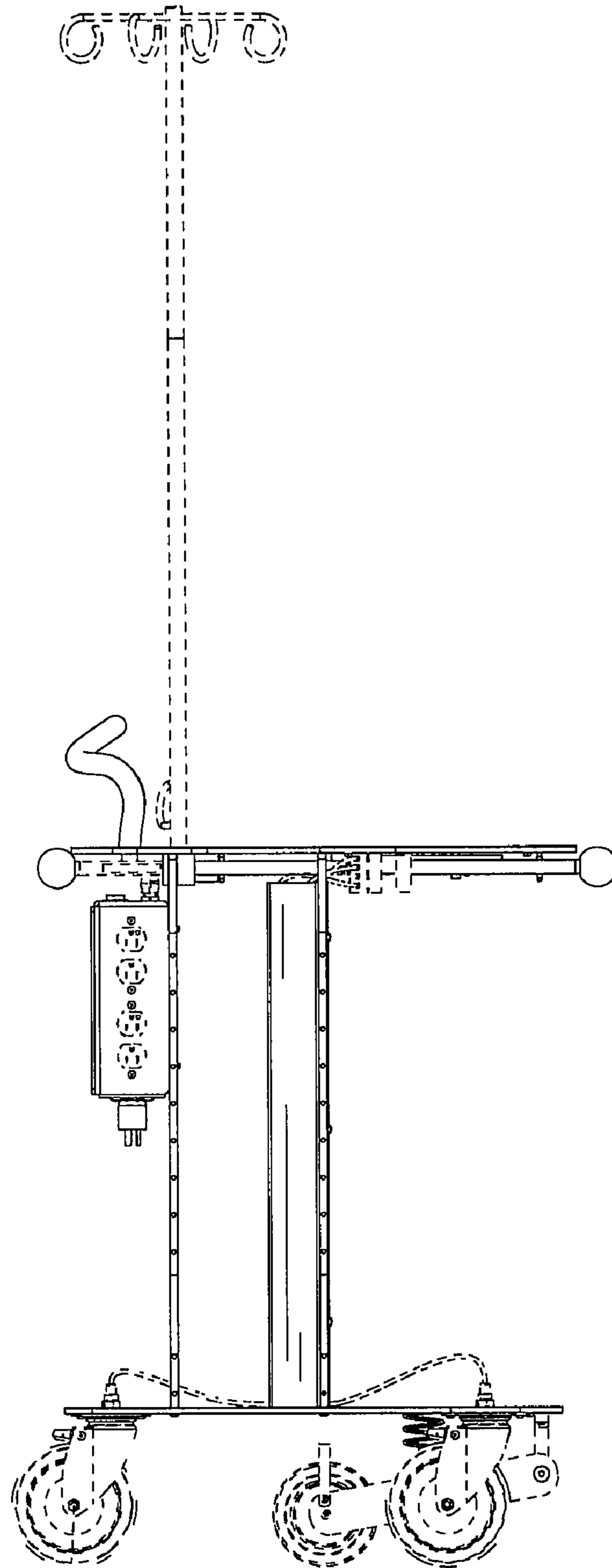
**Fig. 1**



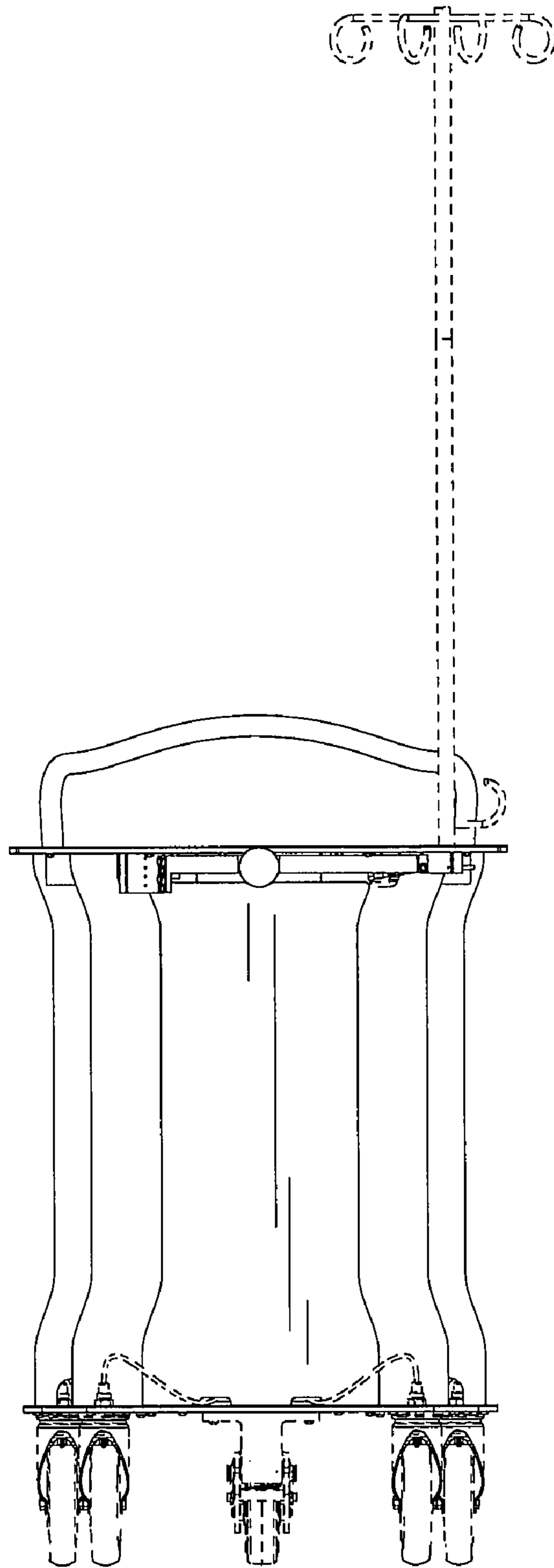
**Fig. 2**



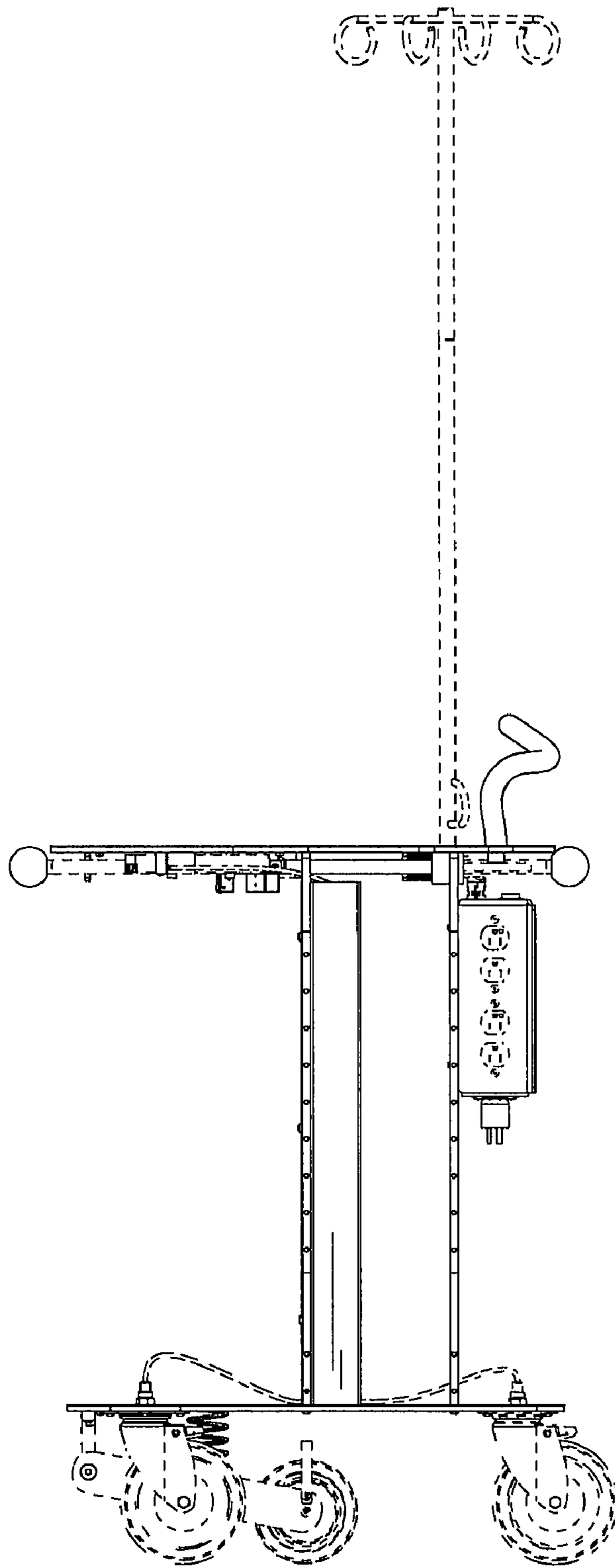
**Fig. 3**



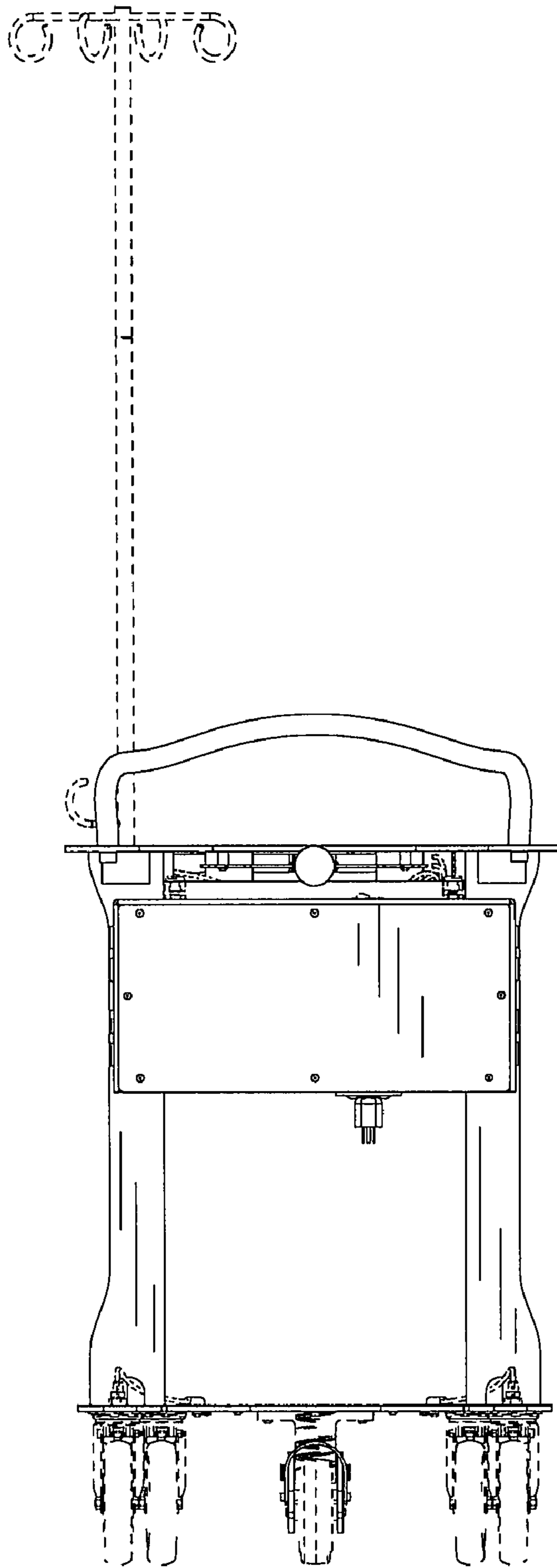
**Fig. 4**



**Fig. 5**



**Fig. 6**



**Fig. 7**