



US00D619258S

(12) **United States Design Patent**
Meschenmoser et al.

(10) **Patent No.:** **US D619,258 S**

(45) **Date of Patent:** **** Jul. 6, 2010**

(54) **INLAY FOR TRANSPORT TRAY FOR SPECTACLE LENSES AND SPECTACLE LENS BLANKS**

(75) Inventors: **Ralf Meschenmoser**, Dewangen (DE);
Wolfgang Widmann, Aalen (DE)

(73) Assignee: **Carl Zeiss Vision GmbH**, Aalen (DE)

(**) Term: **14 Years**

(21) Appl. No.: **29/311,410**

(22) Filed: **Mar. 9, 2009**

(30) **Foreign Application Priority Data**

Sep. 10, 2008 (EM) 000999776

(51) **LOC (9) Cl.** **24-01**

(52) **U.S. Cl.** **D24/172**

(58) **Field of Classification Search** D24/150,
D24/172, 217, 218, 227, 230, 231; D16/100,
D16/101, 330; D3/263, 264; 206/5, 5.1,
206/562, 563; 359/811, 819, 827
See application file for complete search history.

(56) **References Cited**

U.S. PATENT DOCUMENTS

D238,202 S * 12/1975 Ebert D24/172
D243,980 S * 4/1977 Mankowski D6/469
4,173,281 A * 11/1979 Trought 206/5.1
4,205,747 A * 6/1980 Gilliam et al. 206/5.1
D325,443 S * 4/1992 Jermyn D24/218
D331,588 S * 12/1992 Ives D3/264

5,394,988 A * 3/1995 Edwards et al. 206/5.1
D360,068 S * 7/1995 Hambleton et al. D24/213
D382,399 S * 8/1997 Hambleton et al. D3/263
D434,558 S * 12/2000 Brady et al. D3/203.1
D487,762 S * 3/2004 Kapenekas et al. D16/135
7,066,797 B2 * 6/2006 Volken et al. 451/390
7,489,456 B2 * 2/2009 Yang et al. 359/811

* cited by examiner

Primary Examiner—T. Chase Nelson

Assistant Examiner—Anhdao Doan

(74) *Attorney, Agent, or Firm*—Walter Ottesen

(57) **CLAIM**

The ornamental design for an inlay for transport tray for spectacle lenses and spectacle lens blanks, as shown and described.

DESCRIPTION

FIG. 1 is a front side elevation view of the inlay of our new design;

FIG. 2 is a bottom plan view of said inlay of FIG. 1;

FIG. 3 is a right side elevation view of said inlay of FIG. 1;

FIG. 4 is a top plan view of said inlay of FIG. 1;

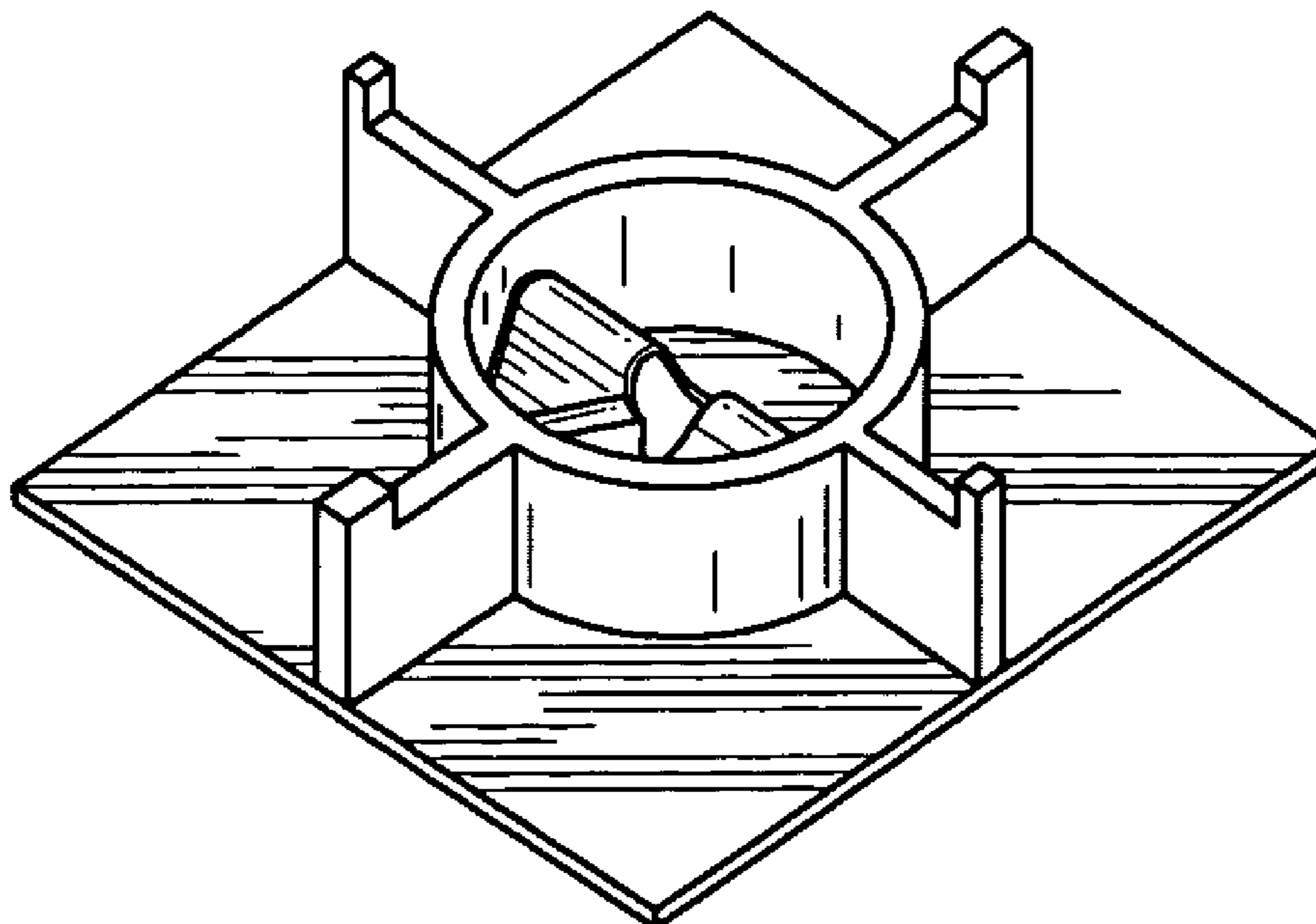
FIG. 5 is a left side elevation view of said inlay of FIG. 1;

FIG. 6 is a rear side elevation view of said inlay of FIG. 1; and,

FIG. 7 is a perspective view of said inlay of FIG. 1.

The portions of the inlay for transport tray for spectacle lenses and spectacle lens blanks shown in broken lines form no part of the claimed design.

1 Claim, 1 Drawing Sheet



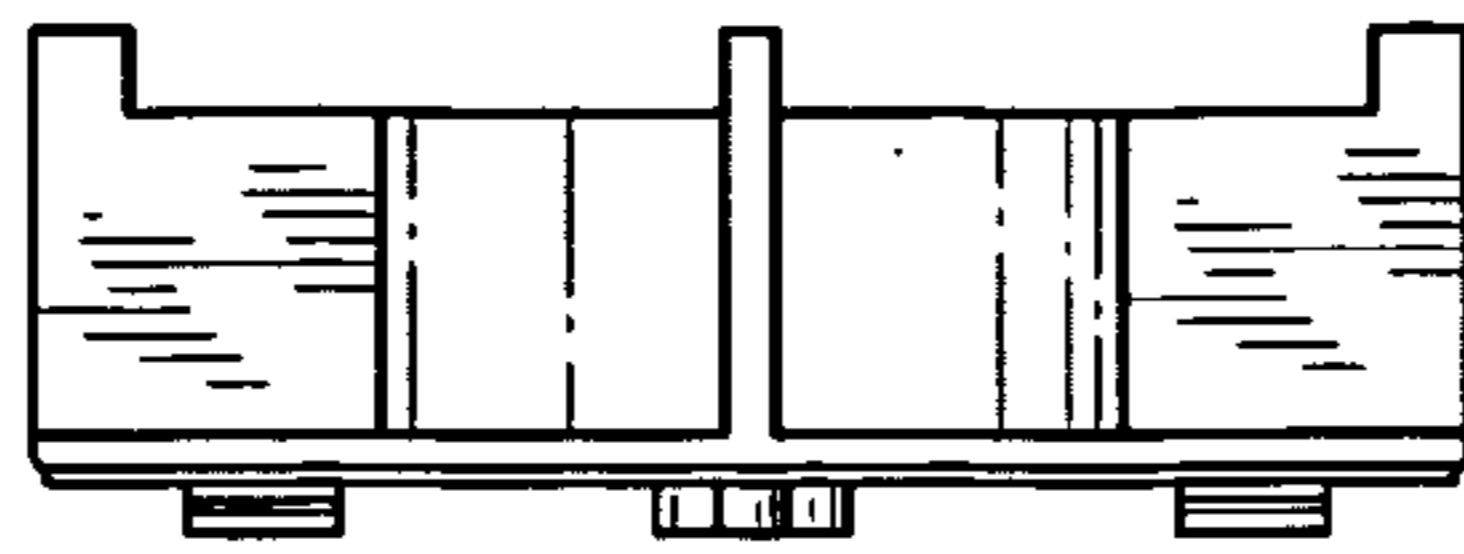


FIG. 1

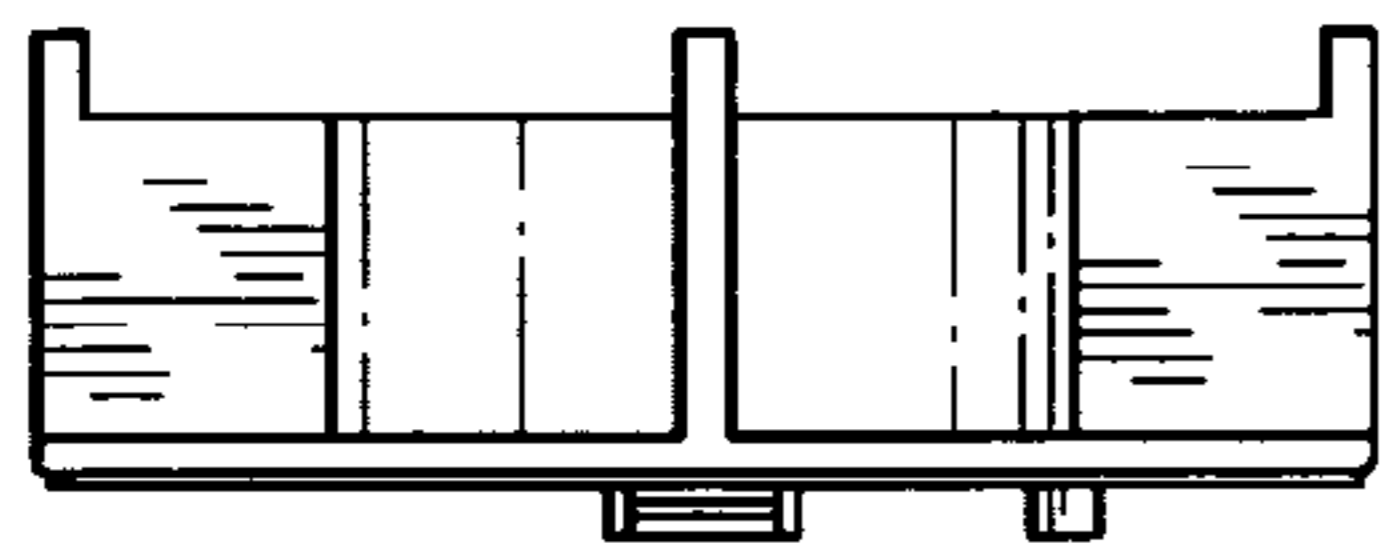


FIG. 5

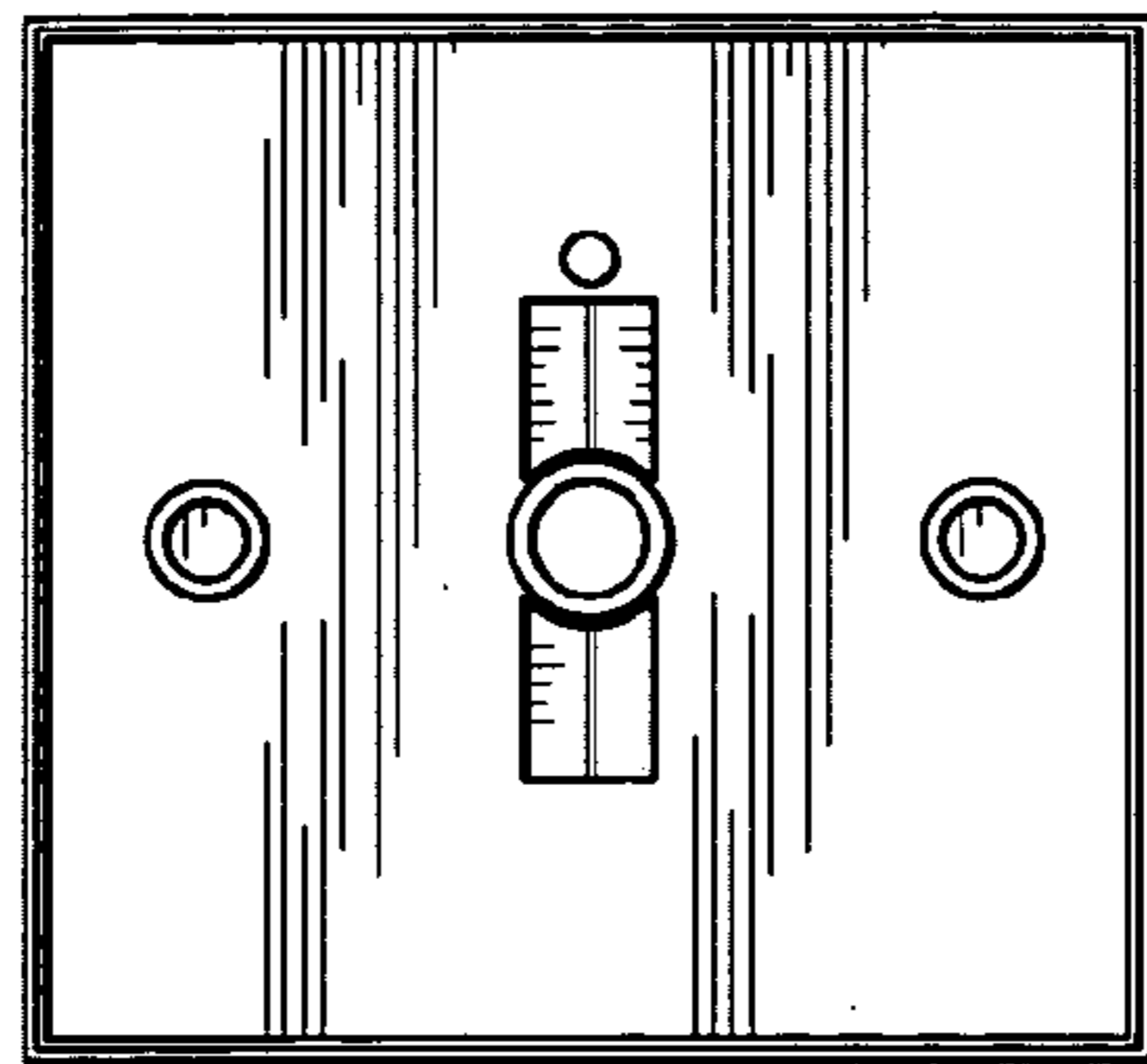


FIG. 2

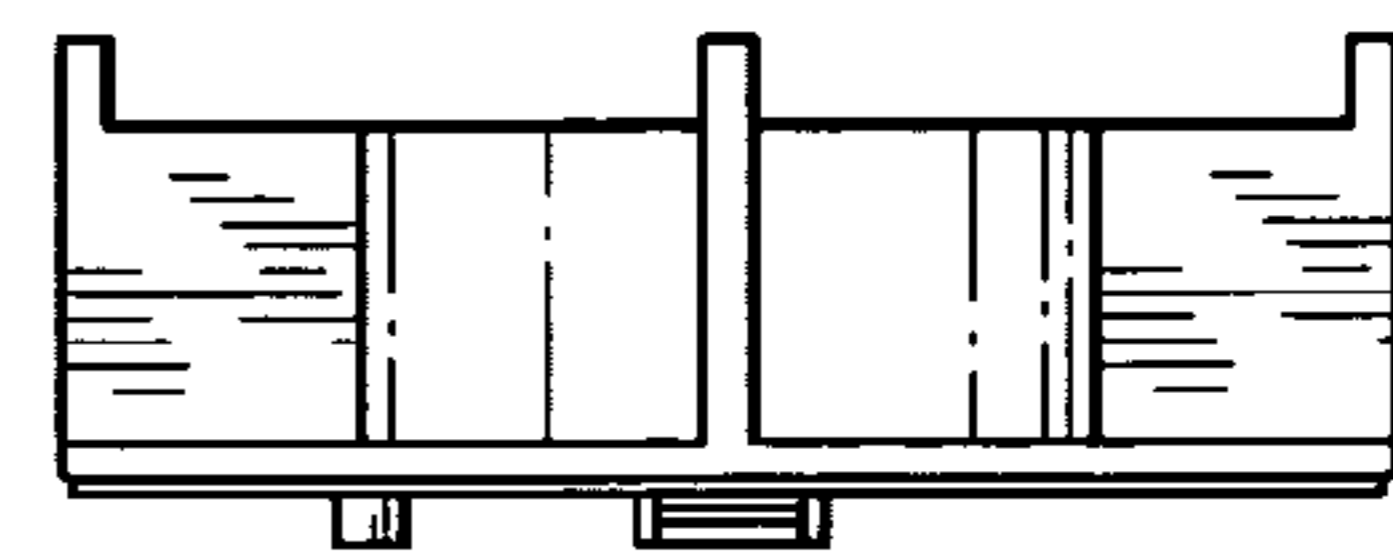


FIG. 3

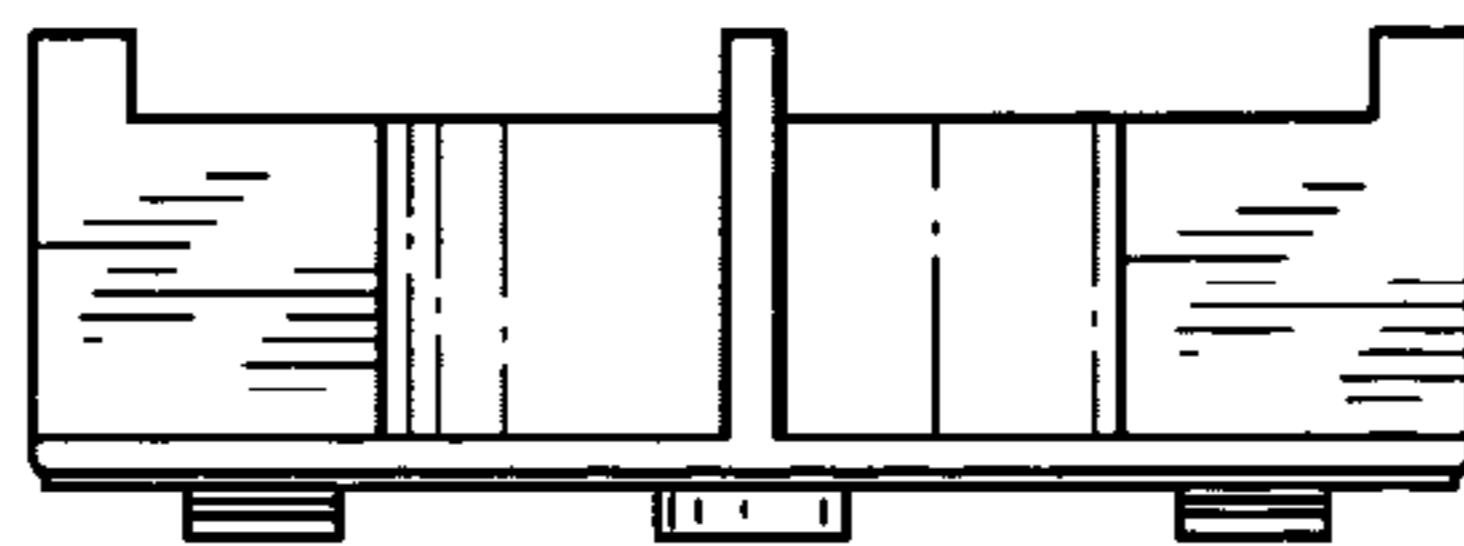


FIG. 6

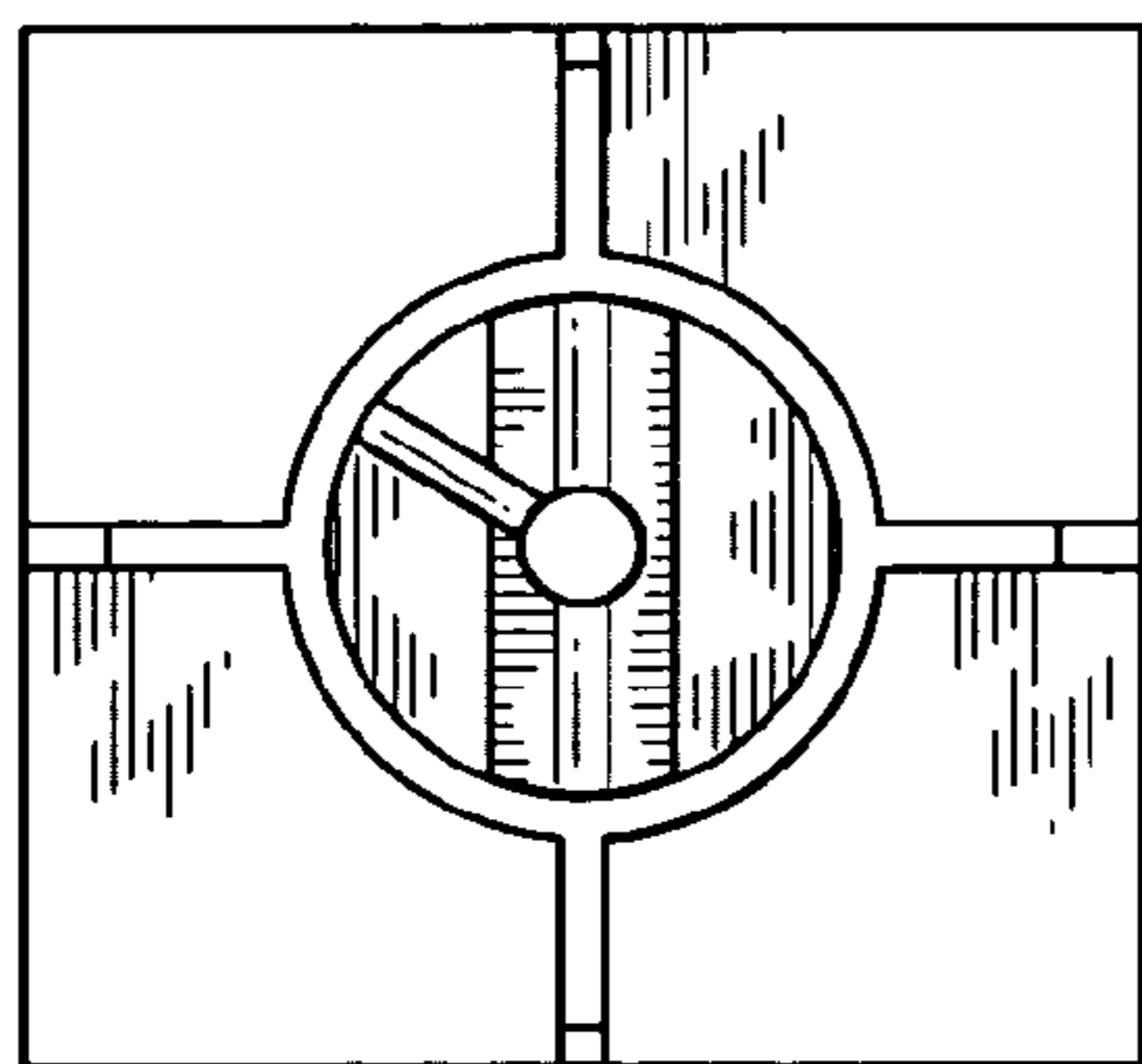


FIG. 4

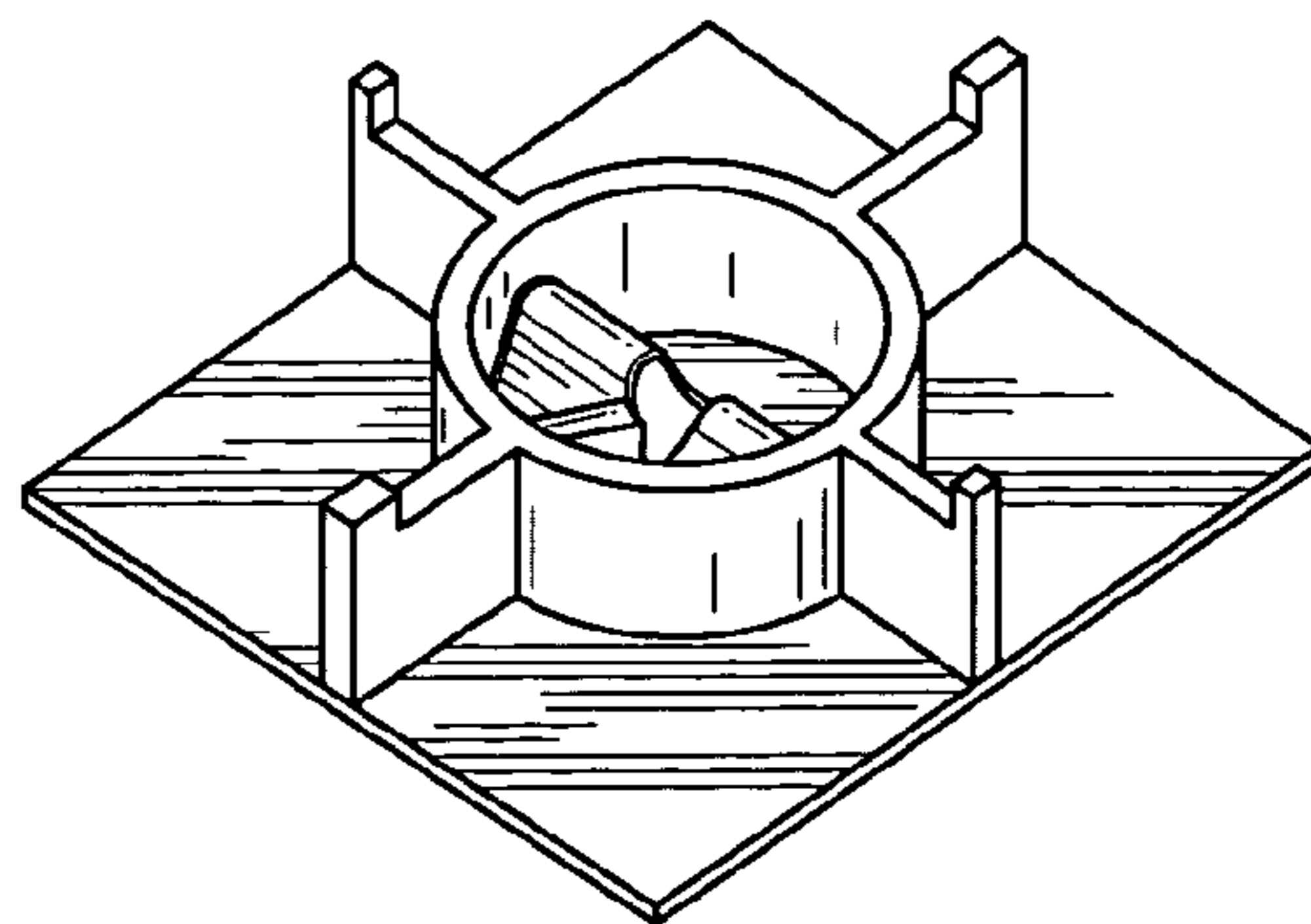


FIG. 7