



US00D619255S

(12) **United States Design Patent**
Richter et al.

(10) **Patent No.:** **US D619,255 S**
(45) **Date of Patent:** **** Jul. 6, 2010**

(54) **SPINAL IMPLANT**

(75) Inventors: **Marcus Richter**, Wiesbaden (DE);
Farzam Vazifehdan, Traunusstein (DE)

(73) Assignee: **Ulrich GmbH & Co. KG**, Ulm (DE)

(**) Term: **14 Years**

(21) Appl. No.: **29/329,876**

(22) Filed: **Dec. 23, 2008**

(30) **Foreign Application Priority Data**

Jul. 26, 2008 (EP) 000959143

(51) **LOC (9) Cl.** **24-03**

(52) **U.S. Cl.** **D24/155**

(58) **Field of Classification Search** D24/155-157;
606/60, 61, 73, 95, 213, 246, 248, 249; 623/17.11-17.16,
623/23.61, 23.56, 247, 213, 11.11, 16.14,
623/20.23, 20.33, 33, 41

See application file for complete search history.

(56) **References Cited**

U.S. PATENT DOCUMENTS

6,245,108 B1 * 6/2001 Biscup 623/17.11
6,454,805 B1 * 9/2002 Baccelli et al. 623/17.11
6,458,159 B1 * 10/2002 Thalgott 623/17.11
D472,971 S * 4/2003 Anderson D24/155
6,676,703 B2 * 1/2004 Biscup 623/17.16
6,964,687 B1 * 11/2005 Bernard et al. 623/17.16

7,044,972 B2 * 5/2006 Mathys et al. 623/17.16
D530,423 S * 10/2006 Miles et al. D24/155
7,135,043 B2 * 11/2006 Nakahara et al. 623/17.11
D533,277 S * 12/2006 Blain D24/155
7,238,203 B2 * 7/2007 Bagga et al. 623/17.11
7,458,988 B2 * 12/2008 Trieu et al. 623/17.13
D594,986 S * 6/2009 Miles et al. D24/155
D599,019 S * 8/2009 Pimenta et al. D24/155
7,591,852 B2 * 9/2009 Prosser 623/17.16
7,637,950 B2 * 12/2009 Baccelli et al. 623/17.11

* cited by examiner

Primary Examiner—Charles A Rademaker

(74) *Attorney, Agent, or Firm*—Andrew Wilford

(57) **CLAIM**

The ornamental design for a spinal implant, as shown and described.

DESCRIPTION

FIG. 1 is a top, perspective view of a spinal implant showing our new design;

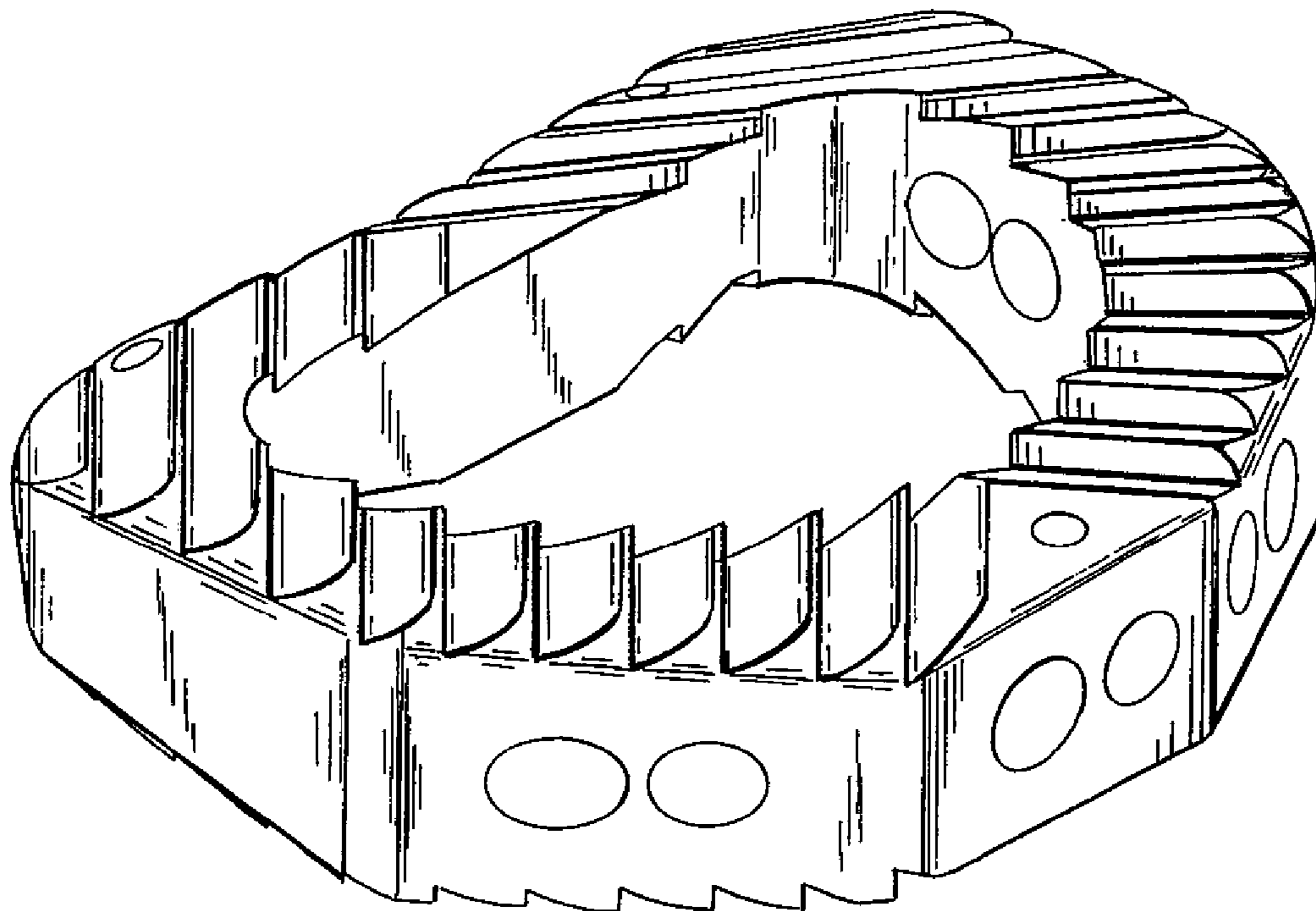
FIG. 2 is a top plan view thereof, the side opposite being identical;

FIG. 3 is a right side elevation thereof shown on an enlarged scale, the side opposite being identical;

FIG. 4 is a front elevation thereof; and,

FIG. 5 is a rear elevation thereof.

1 Claim, 5 Drawing Sheets



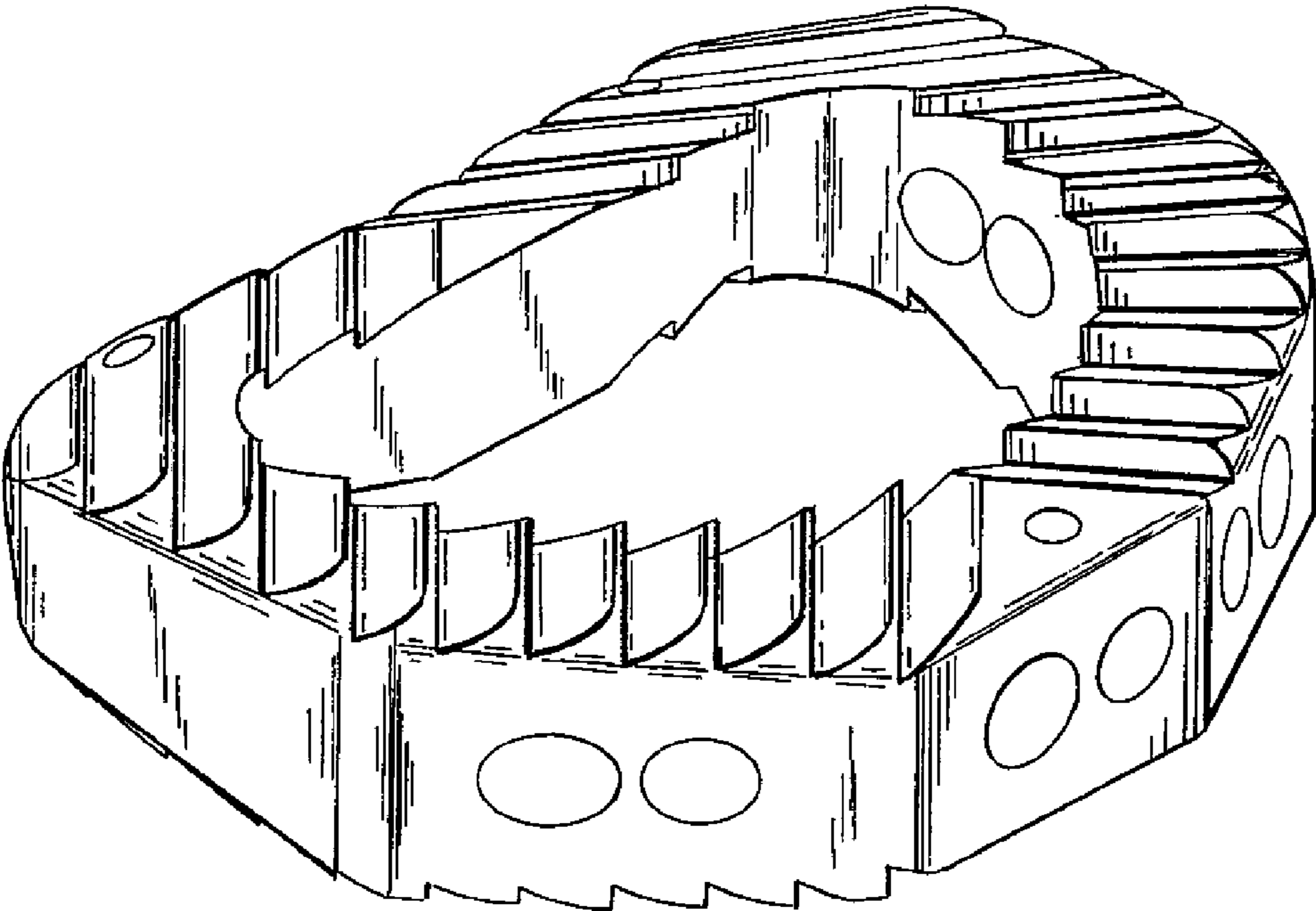


FIG. 1

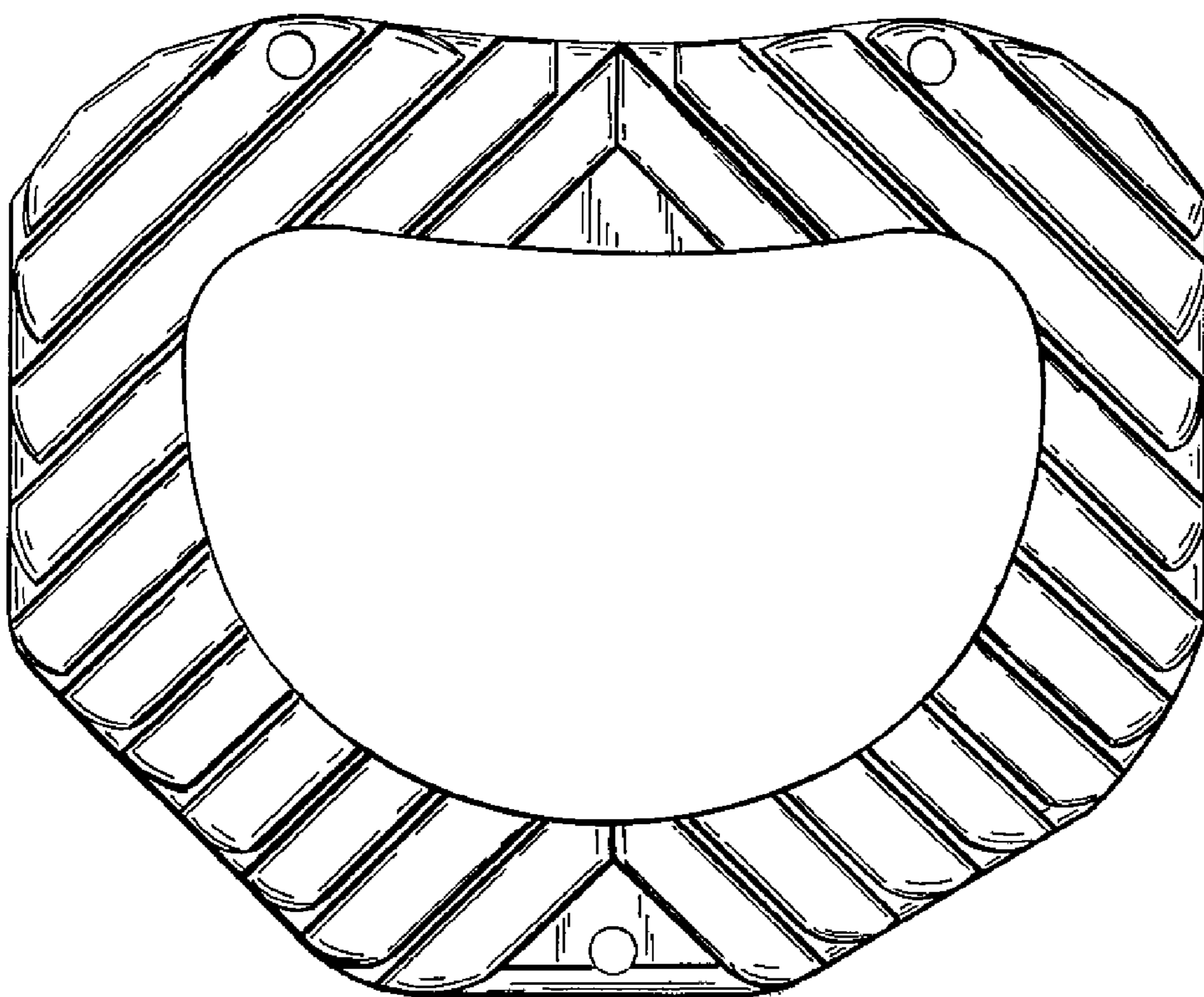


FIG.2

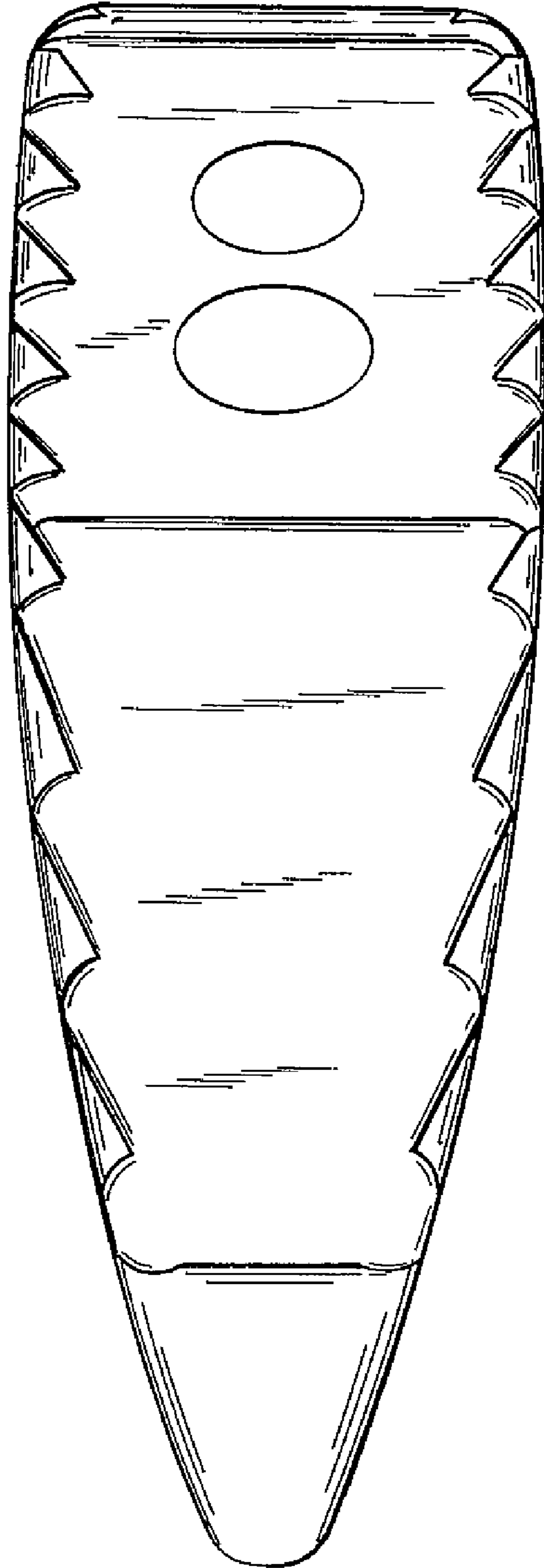


FIG.3

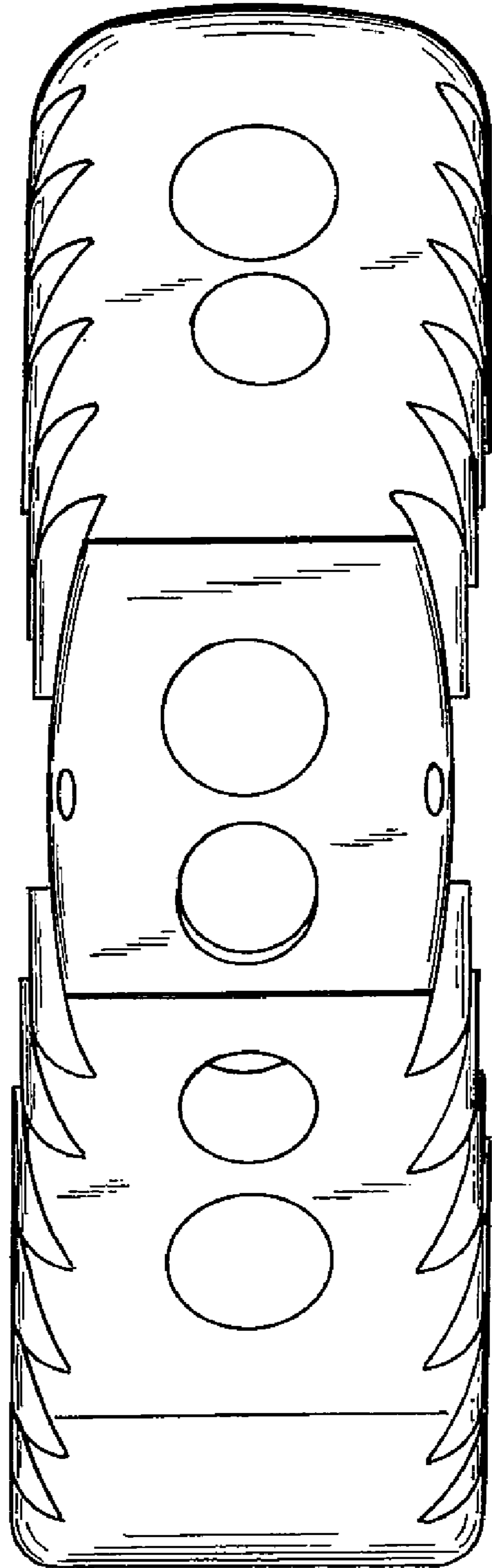


FIG. 4

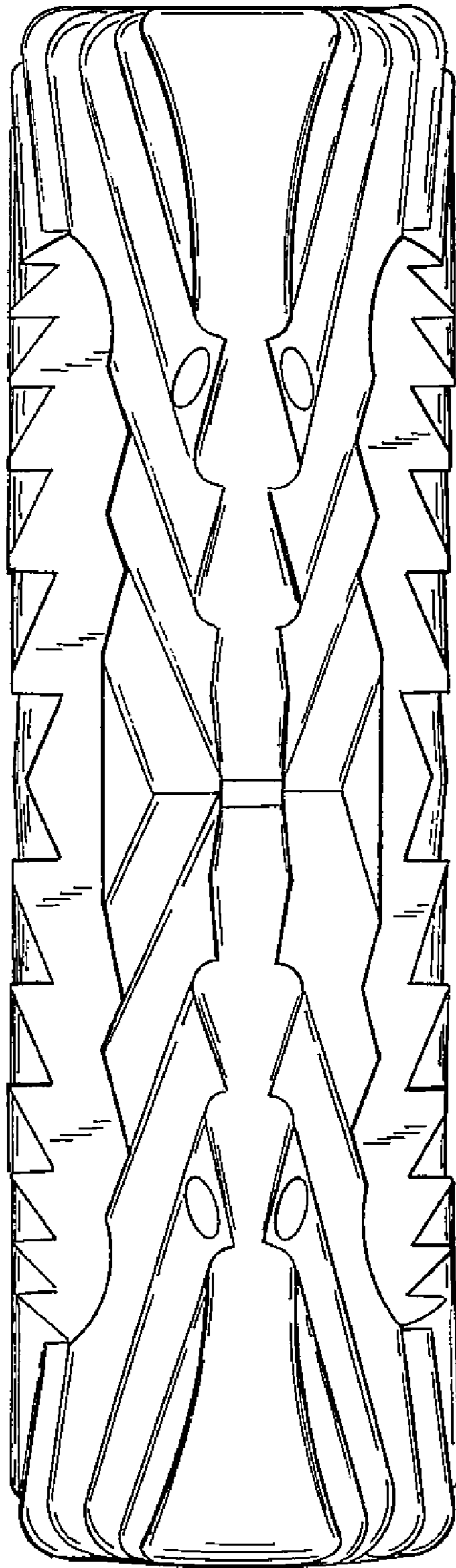


FIG. 5