



US00D619251S

(12) **United States Design Patent**
Justiniano-Garcia et al.

(10) **Patent No.:** **US D619,251 S**
(45) **Date of Patent:** **** Jul. 6, 2010**

(54) **ADJUSTABLE MULTI-USE PUNCH**

(76) Inventors: **Hilda Justiniano-Garcia**, Calle Azorin 714 Mansiones de Espana, Mayaguez, PR (US) 00682; **Jorge L. Vazquez-Smith**, 1362 Ave. Magdalena #503, San Juan, PR (US) 00907; **Luis A. Velez-Marrero**, Plaza 9#100 Gran Vista 2, Gurabo, PR (US) 00758

(**) Term: **14 Years**

(21) Appl. No.: **29/305,475**

(22) Filed: **Mar. 21, 2008**

(51) **LOC (9) Cl.** **24-02**

(52) **U.S. Cl.** **D24/147; D24/133**

(58) **Field of Classification Search** D24/133, D24/146-147; 600/564, 566-567; 606/167, 606/170, 184-185, 208

See application file for complete search history.

(56) **References Cited**

U.S. PATENT DOCUMENTS

3,577,979	A *	5/1971	van der Gaast	600/567
D281,721	S *	12/1985	Scanlan	D24/147
4,832,045	A *	5/1989	Goldberger	600/567
5,183,053	A *	2/1993	Yeh et al.	600/567
5,186,178	A *	2/1993	Yeh et al.	600/567
5,807,275	A *	9/1998	Jamshidi	600/567
6,503,262	B1 *	1/2003	Edens	606/167
2005/0267502	A1 *	12/2005	Hochman	606/167
2006/0253046	A1 *	11/2006	Wittenberg	600/567
2009/0143794	A1 *	6/2009	Conlon et al.	606/167
2009/0163942	A1 *	6/2009	Cuevas et al.	606/167

* cited by examiner

Primary Examiner—Ian Simmons

Assistant Examiner—Wan Laymon

(74) *Attorney, Agent, or Firm*—Carla Ferrari-Lugo, Esq.; Roberto J. Rios

(57) **CLAIM**

The ornamental design for an adjustable multi use punch, as shown and described.

DESCRIPTION

FIG. 1 is a top, side and front perspective view of the adjustable multi-use punch showing our new design;

FIG. 2 is a front view of the adjustable multi-use punch design of FIG. 1;

FIG. 3 is a back view of the adjustable multi-use punch design of FIG. 1;

FIG. 4 is a side view of the adjustable multi-use punch design of FIG. 1;

FIG. 5 is a side view of the adjustable multi-use punch design of FIG. 1;

FIG. 6 is a bottom, side and front perspective view of the adjustable multi-use punch design of FIG. 1;

FIG. 7 is a top view of the adjustable multi-use punch design of FIG. 1; and,

FIG. 8 is a bottom view of the adjustable multi-use punch design of FIG. 1.

The broken line showing portion of an adjustable multi-use punch is included for illustrating environmental structure and forms no part of the claimed design.

1 Claim, 5 Drawing Sheets

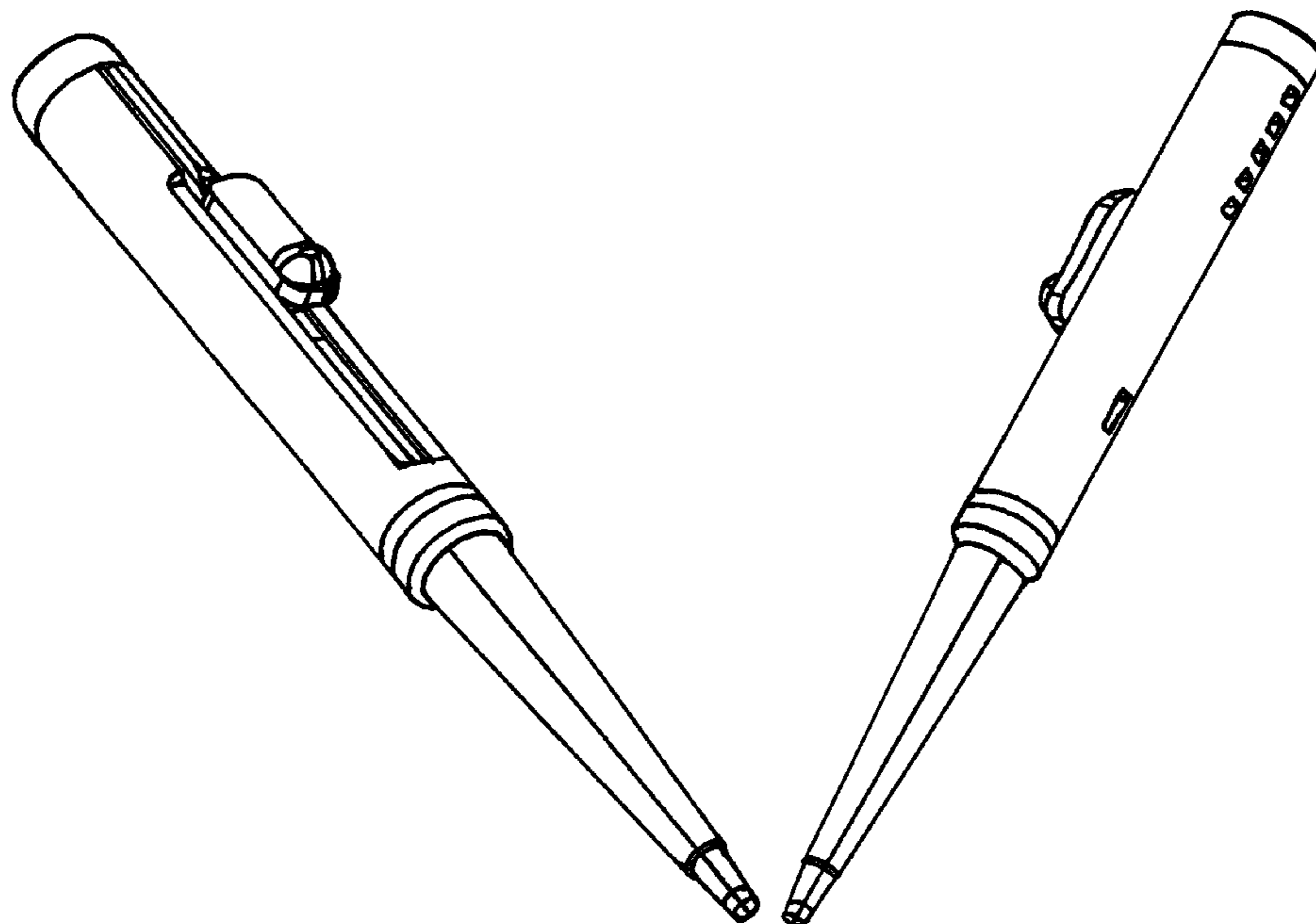
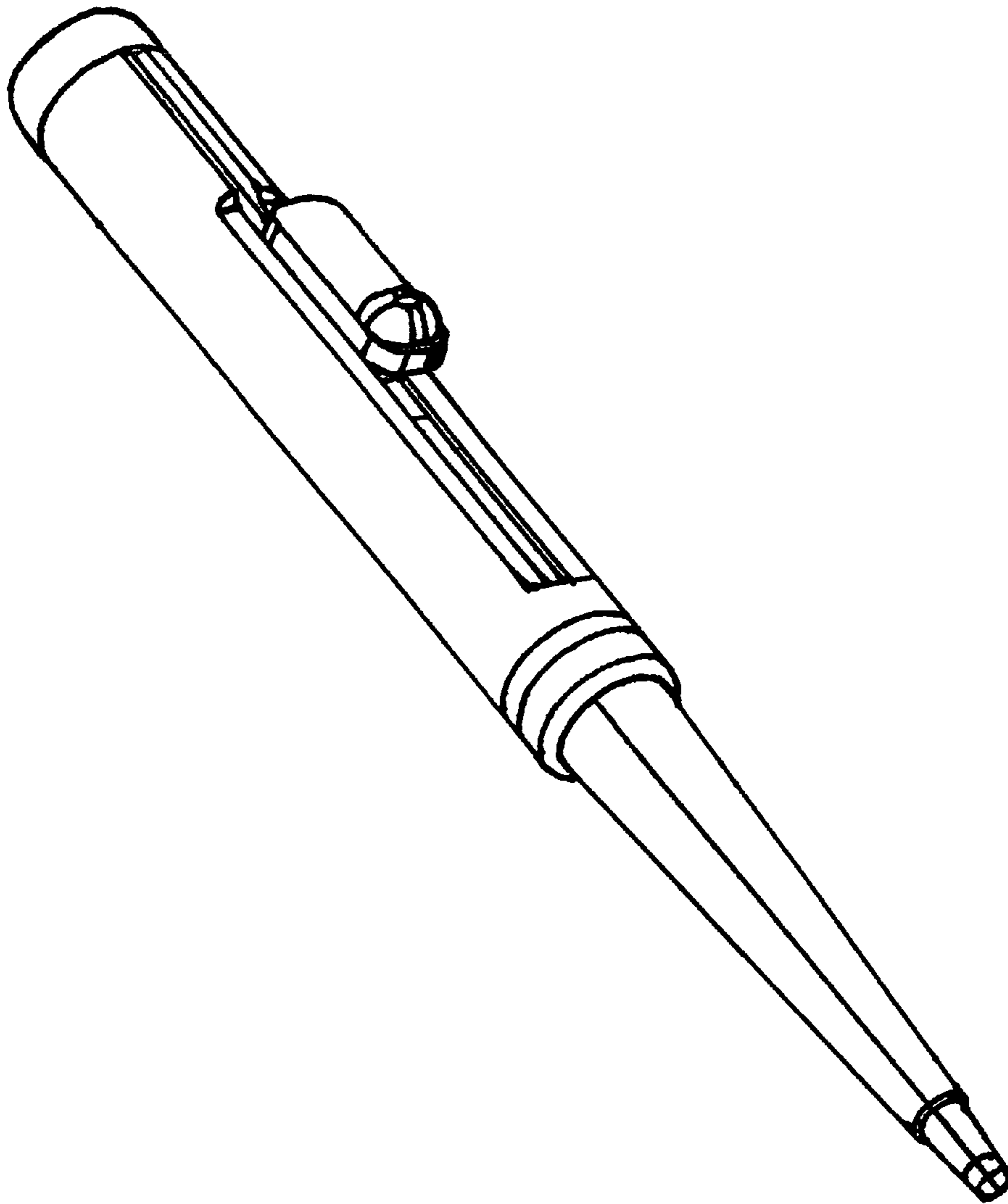


FIGURE 1



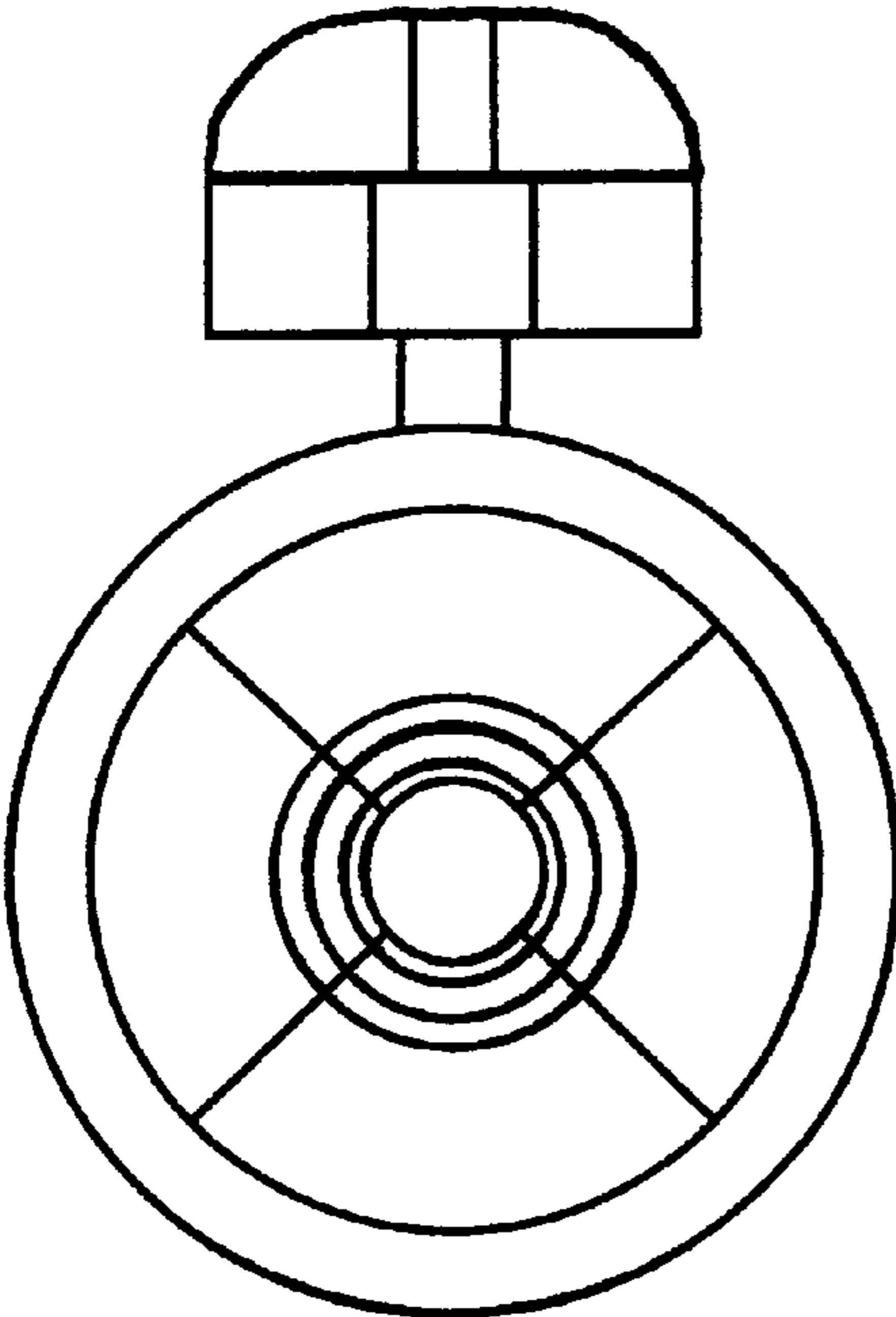


FIGURE 2

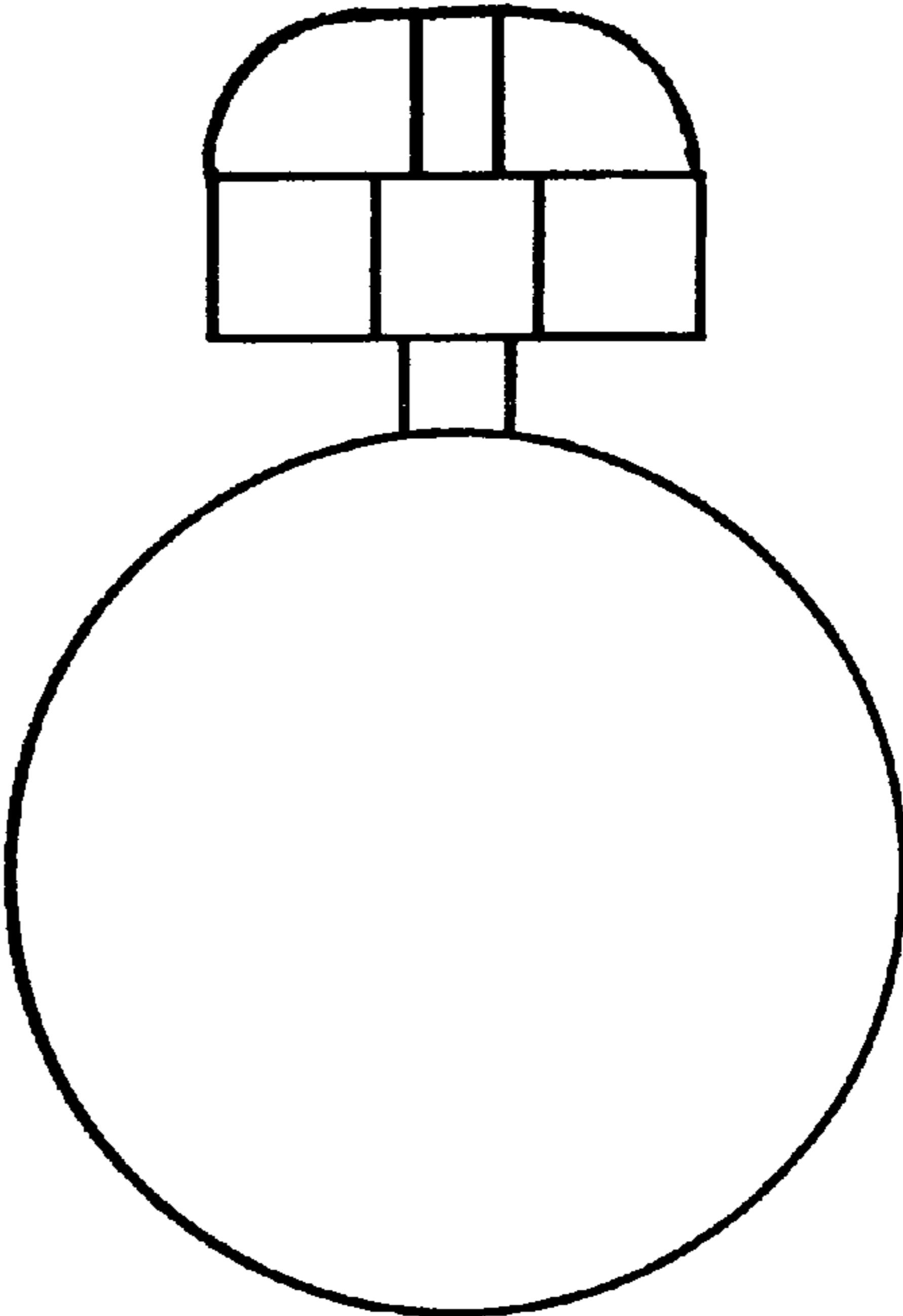


FIGURE 3

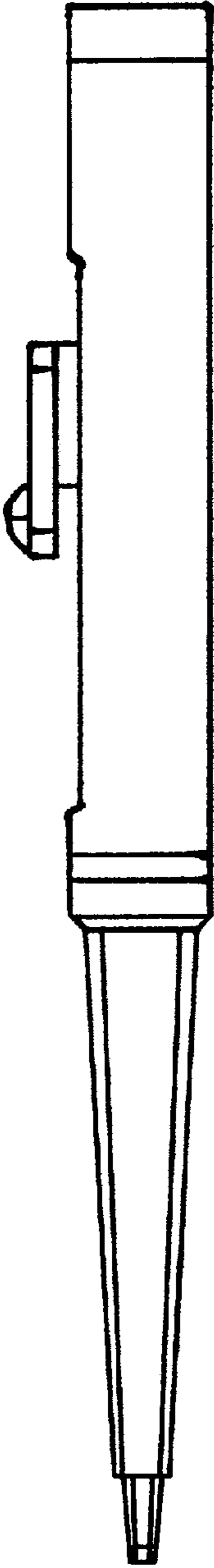


FIGURE 4

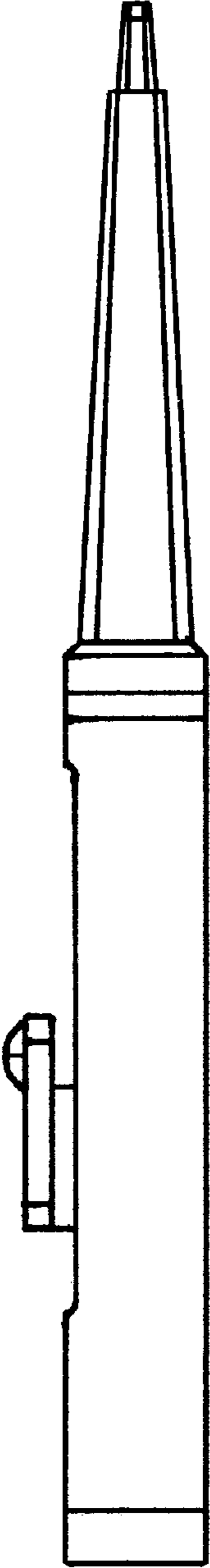


FIGURE 5

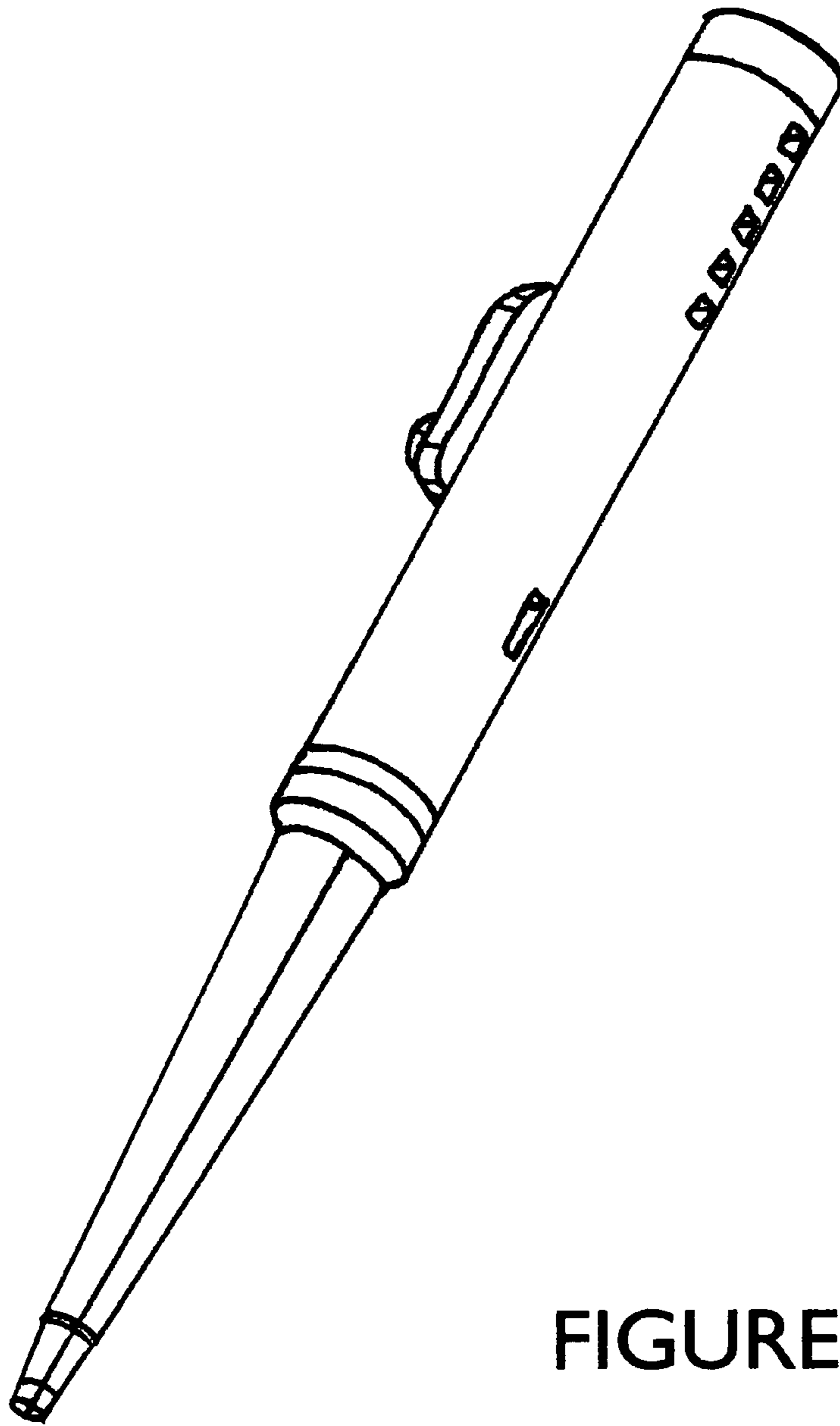


FIGURE 6

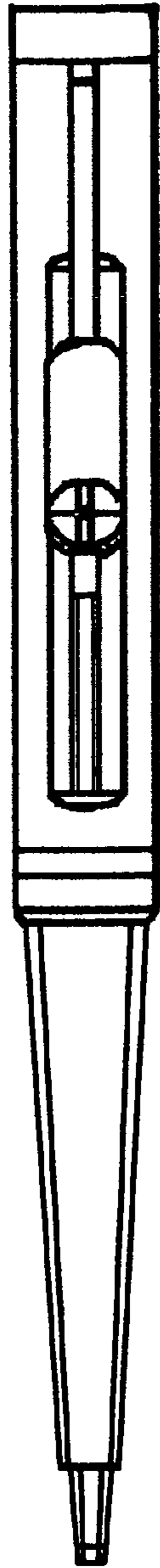


FIGURE 7

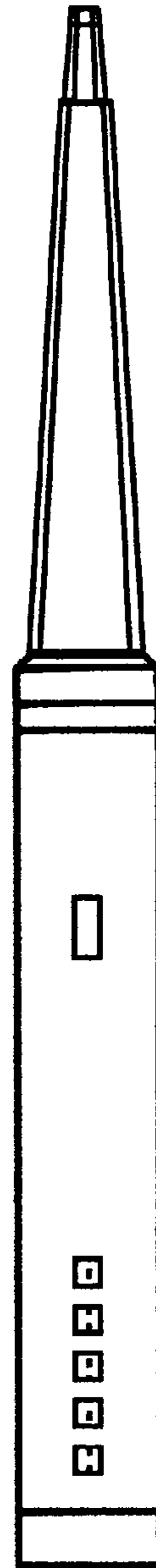


FIGURE 8