



US00D619250S

(12) **United States Design Patent**
Reed et al.

(10) **Patent No.:** **US D619,250 S**
(45) **Date of Patent:** **** Jul. 6, 2010**

(54) **VAGINAL DRUG DELIVERY DEVICE**

(75) Inventors: **James D. Reed**, Greensboro, NC (US);
George A. M. Butterworth, Pittsboro,
NC (US); **David W. Jenkins**, Clayton,
NC (US); **Carol L. Joanis**, Raleigh, NC
(US); **David C. Sokal**, Durham, NC
(US)

(73) Assignee: **Family Health International**, Durham,
NC (US)

(**) Term: **14 Years**

(21) Appl. No.: **29/330,950**

(22) Filed: **Jan. 16, 2009**

Related U.S. Application Data

(63) Continuation-in-part of application No. 11/763,085,
filed on Jun. 14, 2007.

(51) **LOC (9) Cl.** **24-02**

(52) **U.S. Cl.** **D24/141**

(58) **Field of Classification Search** D24/141,
D24/107, 105, 133; D28/8, 63; D32/40;
128/839, 841, 846; 2/21; 424/430-432,
424/514; 604/285-286, 290, 294-297, 385.14,
604/385.17, 385-18

See application file for complete search history.

(56) **References Cited**

U.S. PATENT DOCUMENTS

3,545,439	A	12/1970	Duncan	
3,805,785	A *	4/1974	Marginet	604/286
3,881,485	A	5/1975	Davis	
3,972,325	A *	8/1976	Bluestone	128/846
3,995,634	A	12/1976	Drobish	
4,012,496	A	3/1977	Schopflin	
4,016,251	A	4/1977	Higuchi	
4,155,991	A	5/1979	Schopflin	
4,198,976	A	4/1980	Drobish	
4,250,611	A	2/1981	Wong	
4,286,587	A	9/1981	Wong	

4,286,593	A	9/1981	Place	
4,300,544	A *	11/1981	Rudel	128/837
4,326,510	A	4/1982	Buckles	
4,526,578	A	7/1985	Wong	
4,895,170	A	1/1990	Tlapek	
5,105,827	A *	4/1992	Augros	604/286
7,127,771	B2 *	10/2006	McDevitt et al.	2/21
7,534,236	B2 *	5/2009	Mizutani et al.	604/385.17
7,552,501	B2 *	6/2009	Yang et al.	2/21

(Continued)

OTHER PUBLICATIONS

Gerber Tooth & Gum Cleanser, [www.http://www.gerber.com/Products/Tooth_Gum_Cleanser.aspx](http://www.gerber.com/Products/Tooth_Gum_Cleanser.aspx) (2 pages) (Dec. 22, 2009).

(Continued)

Primary Examiner—Ian Simmons
Assistant Examiner—Wan Laymon

(74) *Attorney, Agent, or Firm*—Womble, Carlyle Sandridge & Rice, PLLC

(57) **CLAIM**

The ornamental design for a vaginal drug delivery device, as shown and described.

DESCRIPTION

FIG. 1 is a top left perspective view of a vaginal drug delivery device showing the new design;

FIG. 2 is a top plan view thereof;

FIG. 3 is a bottom plan view thereof;

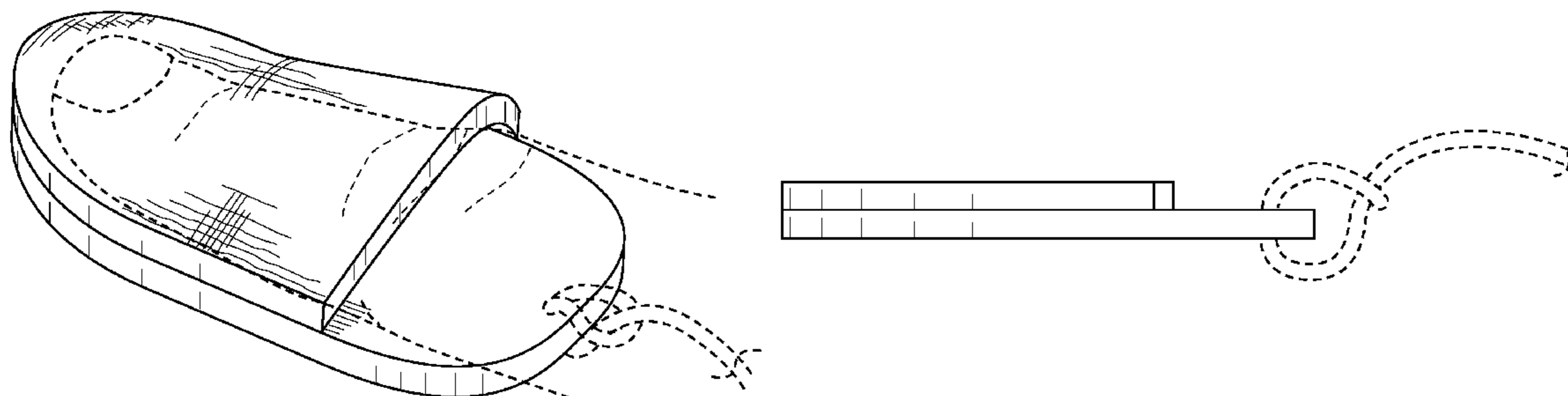
FIG. 4 is a left side elevation view thereof;

FIG. 5 is a front elevation view thereof; and,

FIG. 6 is a rear elevation view thereof.

The broken lines showing portions of a vaginal drug delivery device is included for the purpose of illustrating environmental structure and forms no part of the claimed design. The opposite side not shown is a mirror image of FIG. 4.

1 Claim, 3 Drawing Sheets



US D619,250 S

Page 2

U.S. PATENT DOCUMENTS

7,591,809 B2* 9/2009 Mizutani et al. 604/385.17
2003/0005937 A1 1/2003 Moench
2003/0120180 A1* 6/2003 Kaylor et al. 600/584
2004/0147894 A1* 7/2004 Mizutani et al. 604/385.17
2004/0147898 A1* 7/2004 Mizutani et al. 604/385.17
2008/0051740 A1* 2/2008 Sokal et al. 604/286

2009/0266491 A1* 10/2009 Mizutani et al. 156/517

OTHER PUBLICATIONS

Finger TeethWipe, www.promopeddler.com (1 page) (Dec. 16, 2009).

* cited by examiner

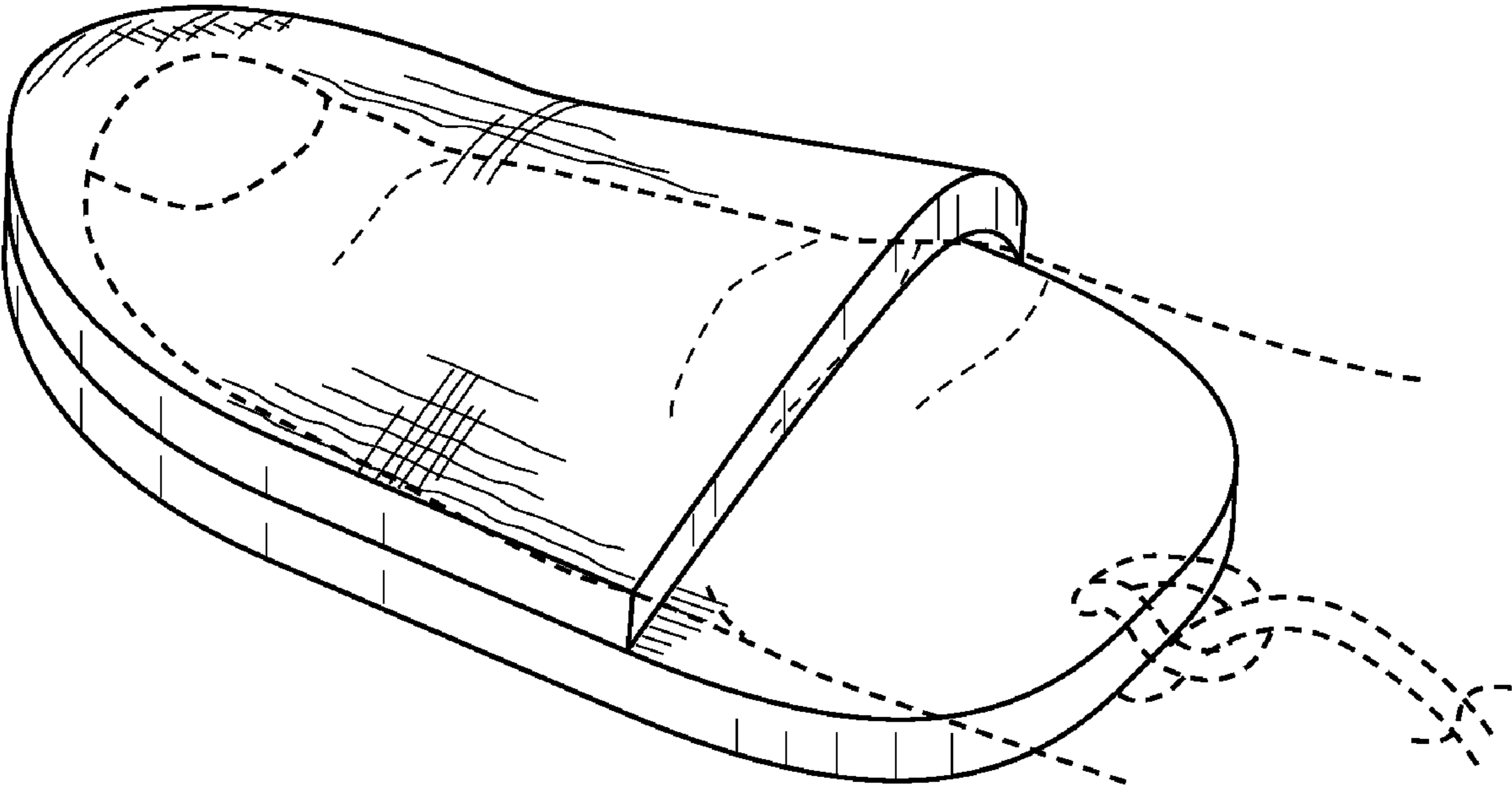


FIG. 1

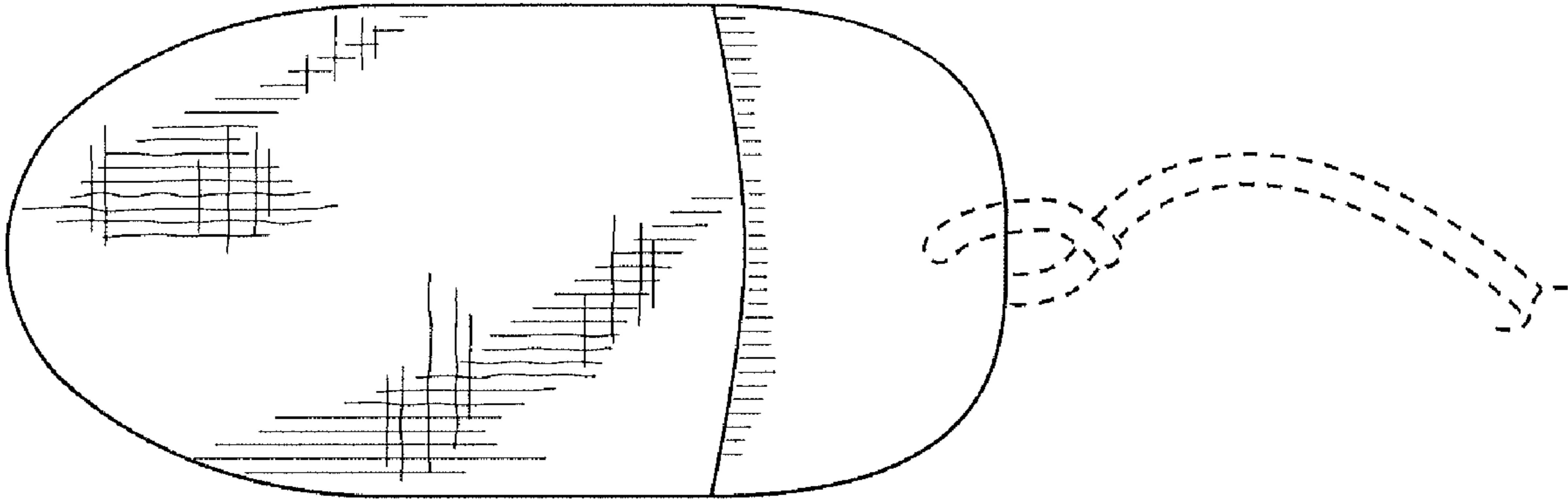


FIG. 2

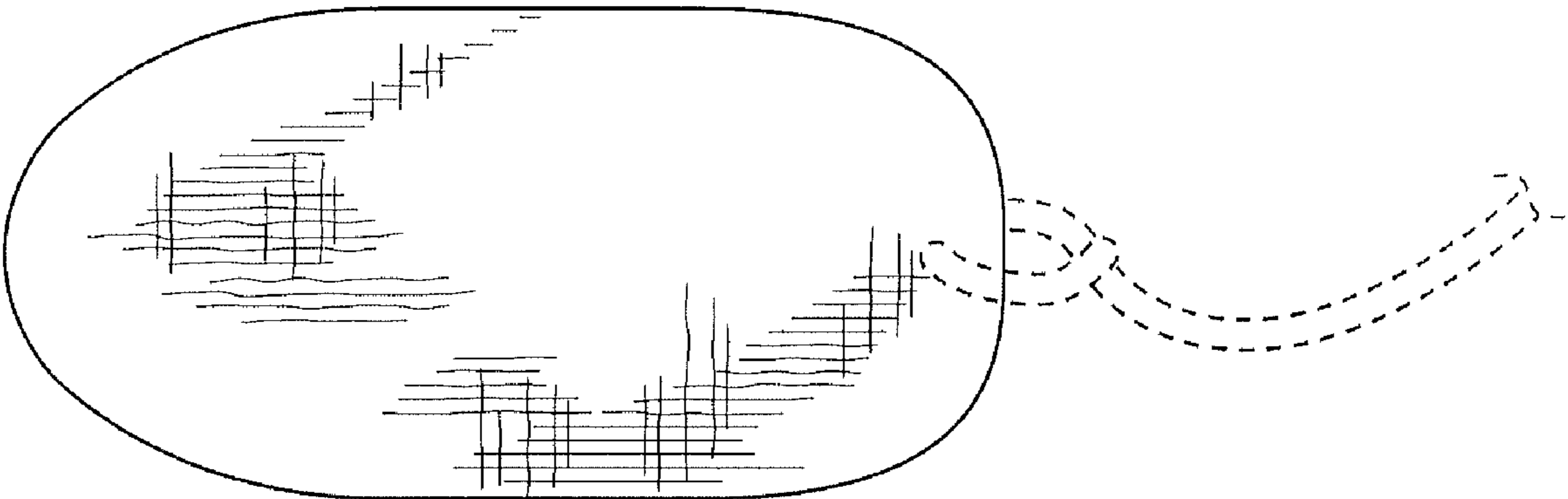


FIG. 3

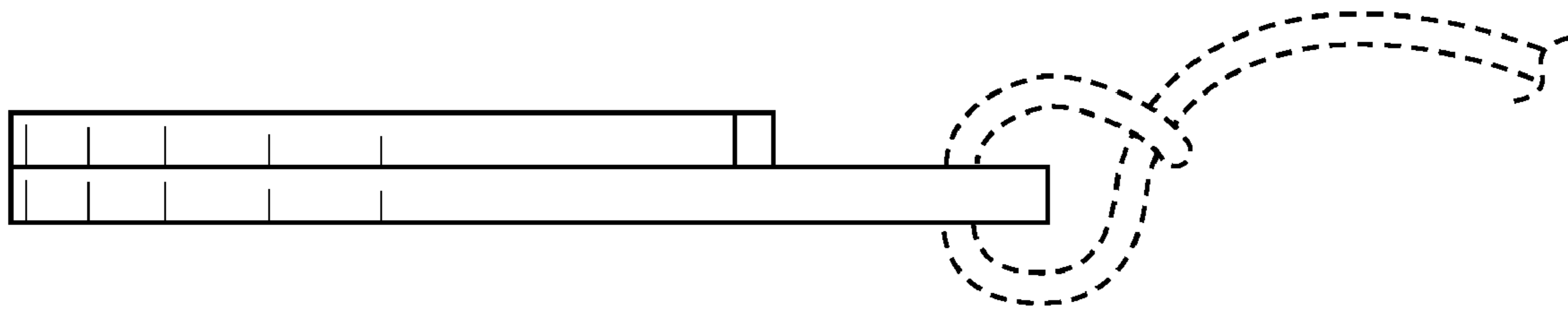


FIG. 4

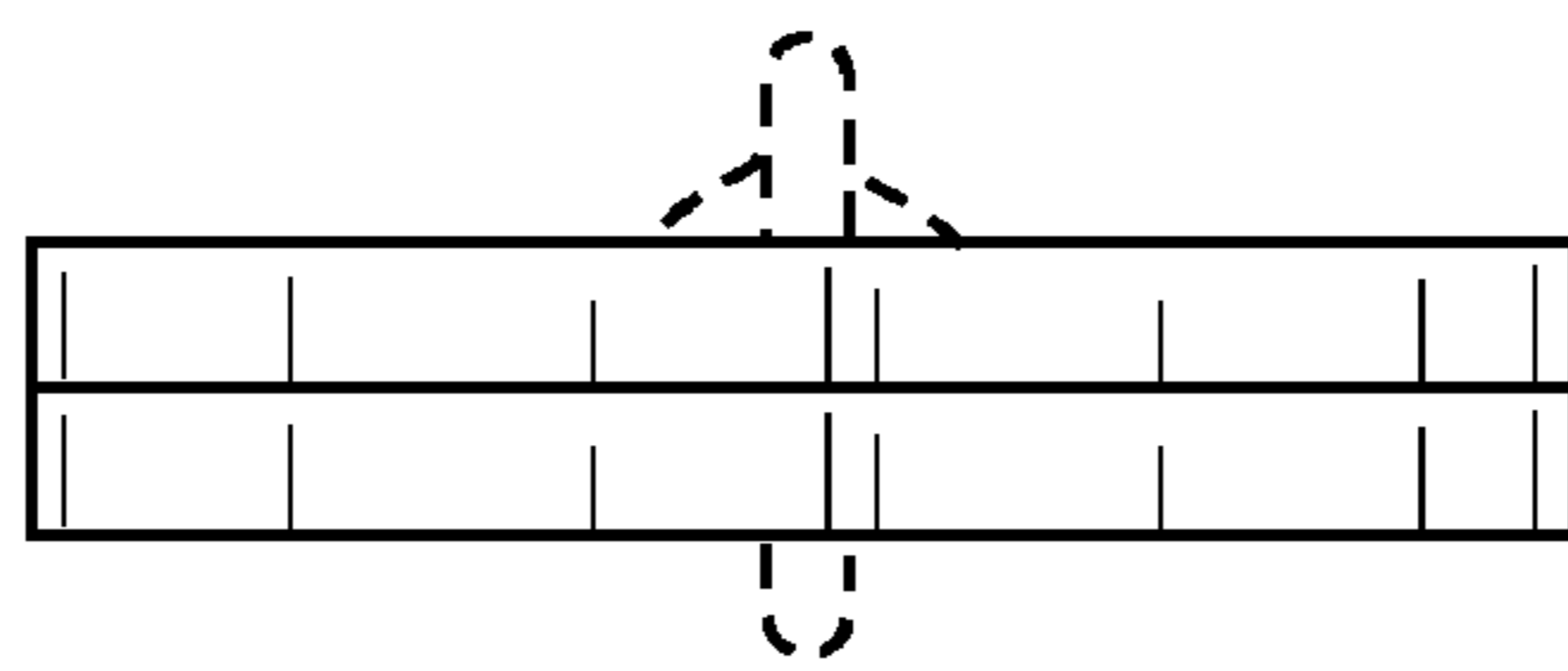


FIG. 5

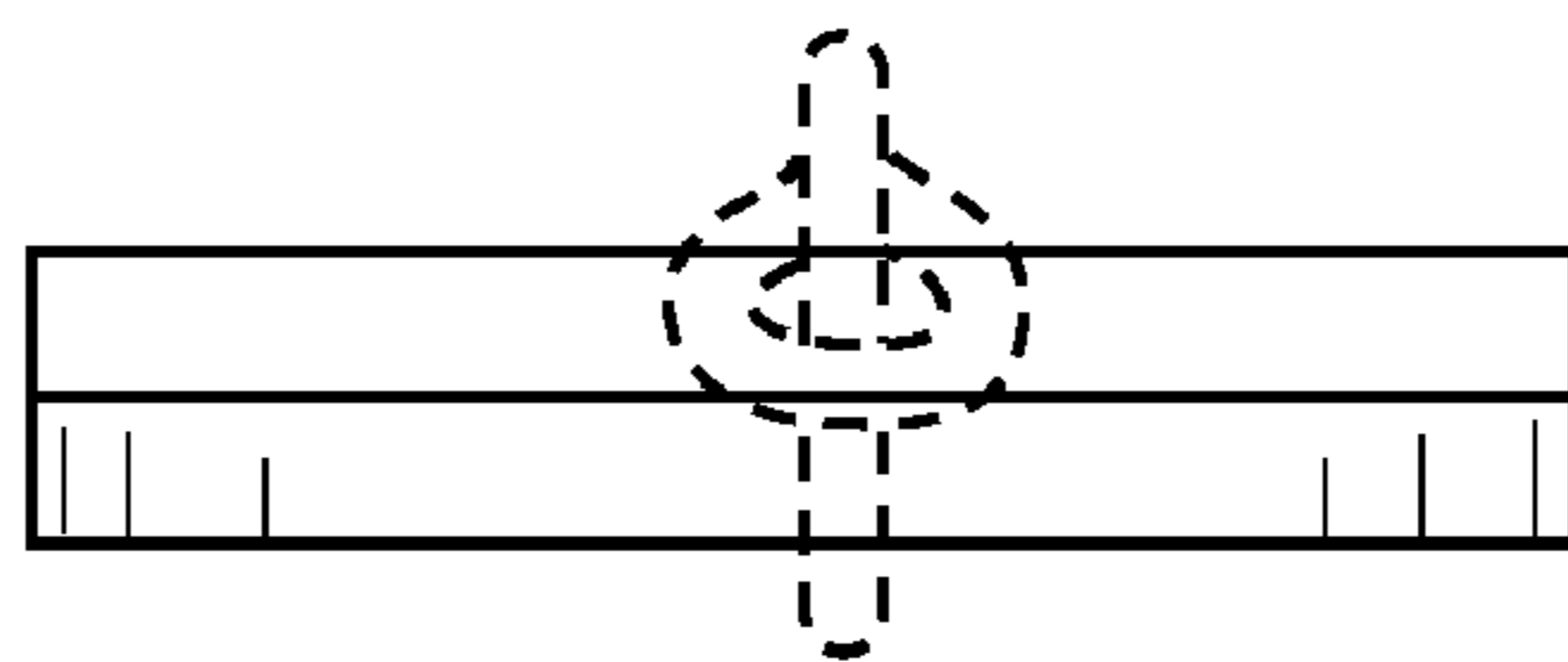


FIG. 6