



US00D619249S

(12) **United States Design Patent**
Bettocchi

(10) **Patent No.:** **US D619,249 S**
(45) **Date of Patent:** **** Jul. 6, 2010**

(54) **HYSTEROSCOPE**

7,025,720 B2 * 4/2006 Boebel et al. 600/105
D534,276 S * 12/2006 Michel D24/138

(75) Inventor: **Stefano Bettocchi**, Bari (IT)

* cited by examiner

(73) Assignee: **Karl Storz GmbH & Co. KG** (DE)

Primary Examiner—Lisa P Lichtenstein

(**) Term: **14 Years**

(74) *Attorney, Agent, or Firm*—St. Onge Steward Johnston & Reens LLC

(21) Appl. No.: **29/328,878**

(57) **CLAIM**

(22) Filed: **Dec. 3, 2008**

The ornamental design for a hysteroscope, as shown and described.

(30) **Foreign Application Priority Data**

Jun. 3, 2008 (EM) 000944749

DESCRIPTION

(51) **LOC (9) Cl.** **24-02**

FIG. 1 is a front isometric view of a hysteroscope in accordance with the new design;

(52) **U.S. Cl.** **D24/138**

FIG. 2 is a side view thereof;

(58) **Field of Classification Search** D24/108,

FIG. 3 is a top view thereof;

D24/133, 137 I, 138; 600/156, 114, 104

FIG. 4 is a bottom view thereof;

See application file for complete search history.

FIG. 5 is a rear view thereof; and,

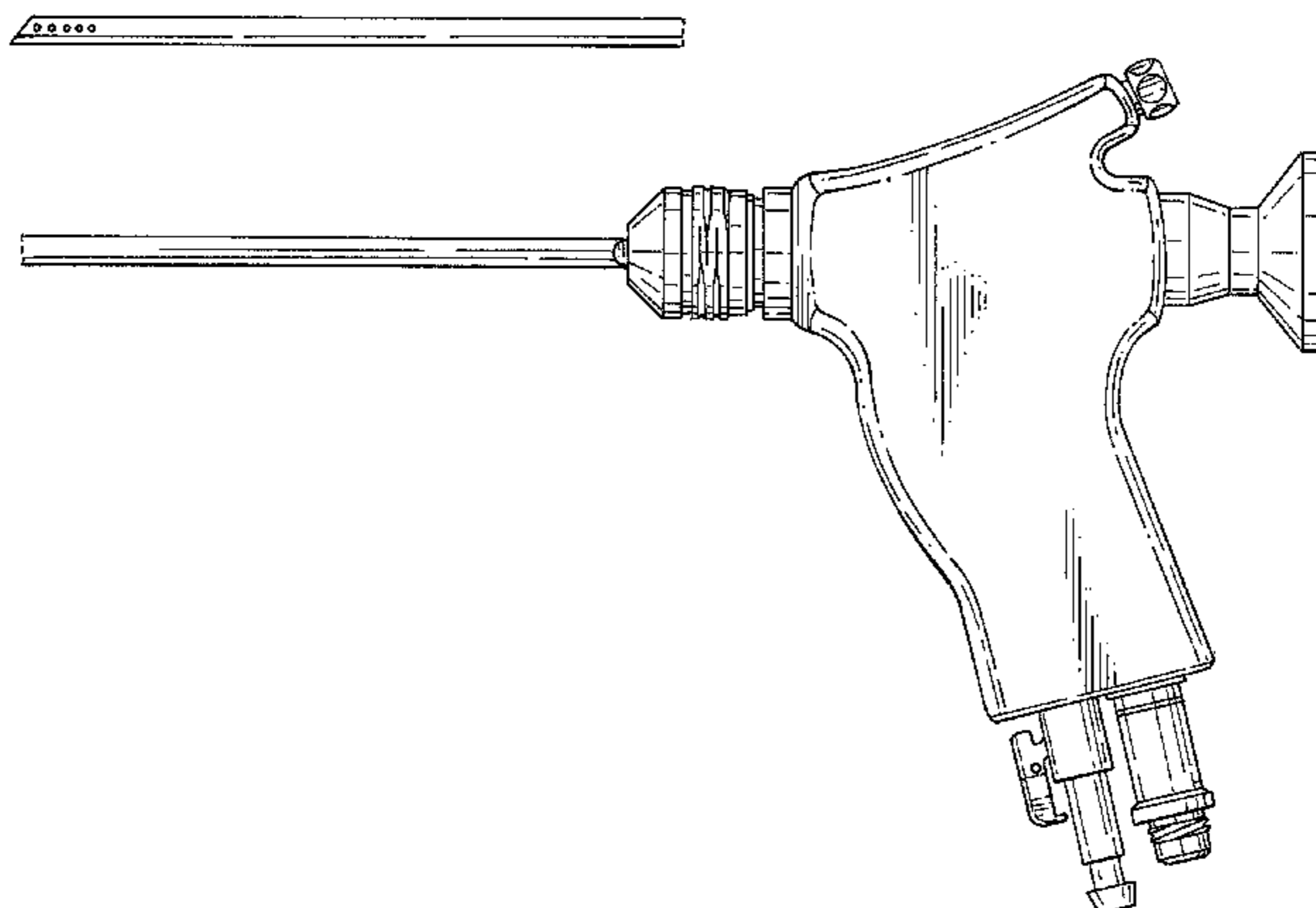
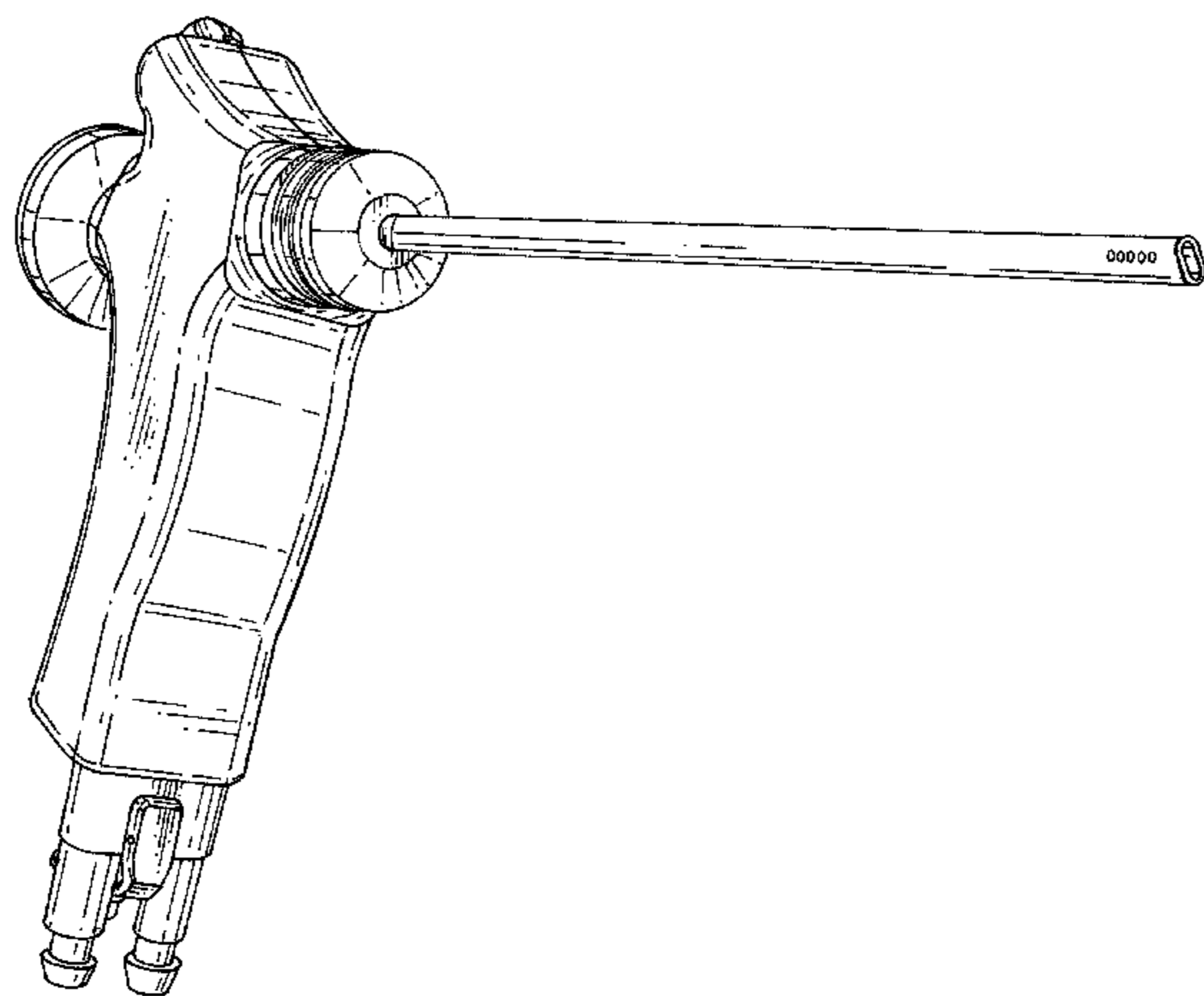
(56) **References Cited**

FIG. 6 is a front view thereof.

U.S. PATENT DOCUMENTS

6,682,477 B2 * 1/2004 Boebel et al. 600/107

1 Claim, 5 Drawing Sheets



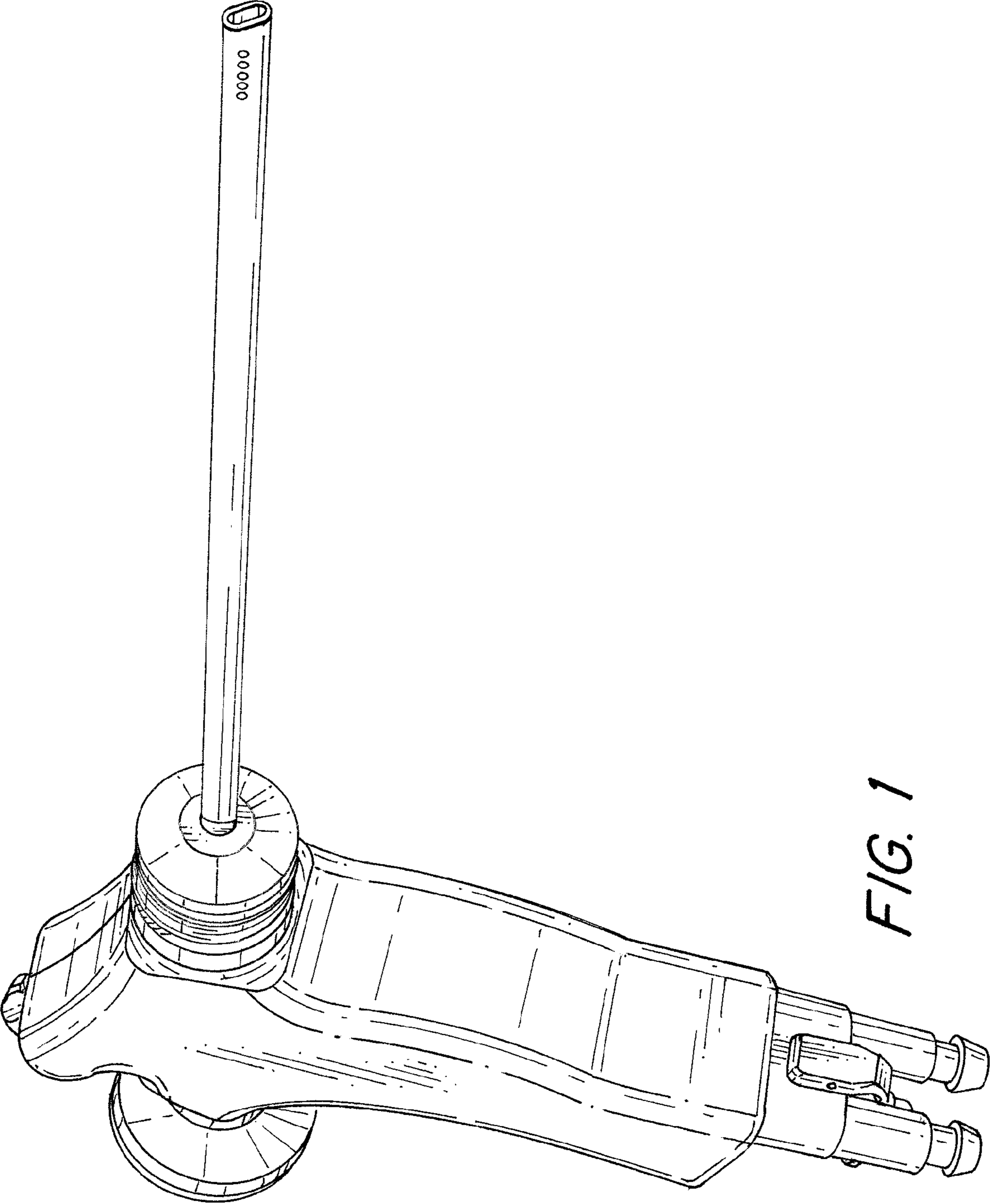


FIG. 1

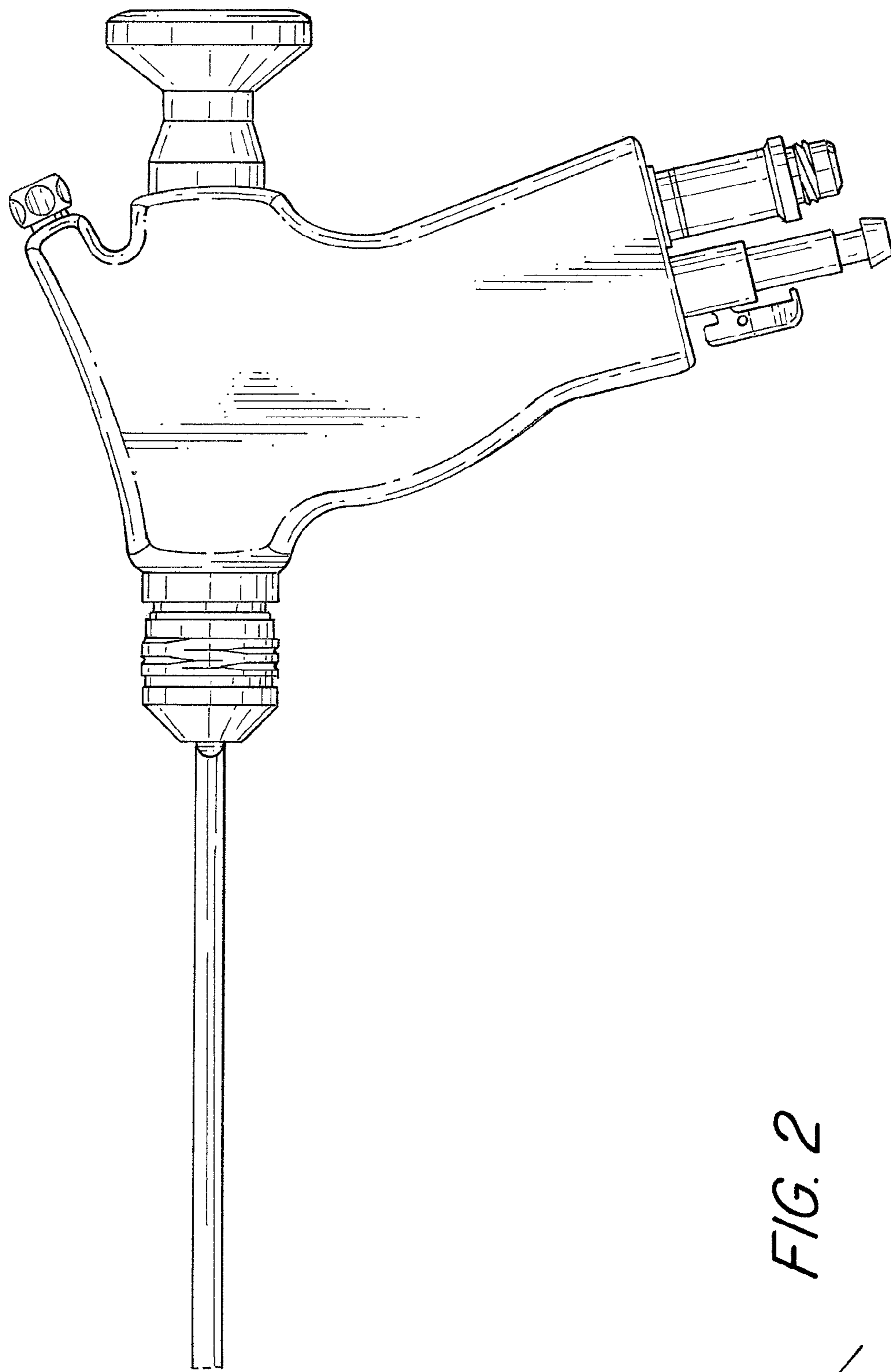


FIG. 2

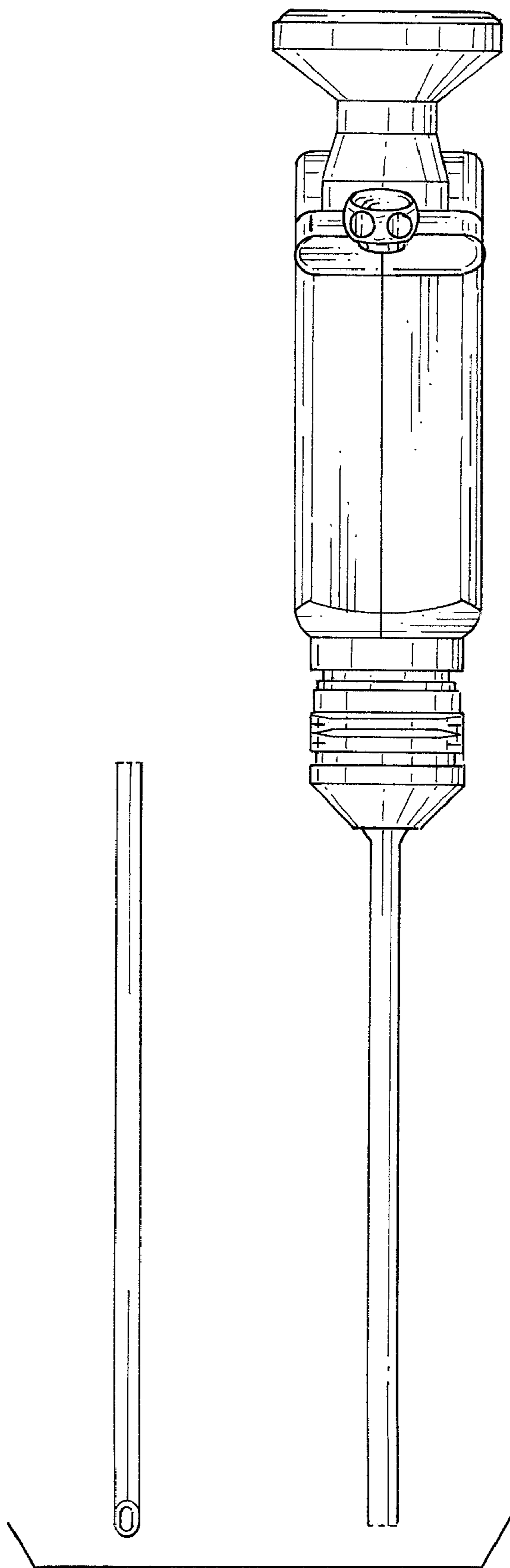


FIG. 3

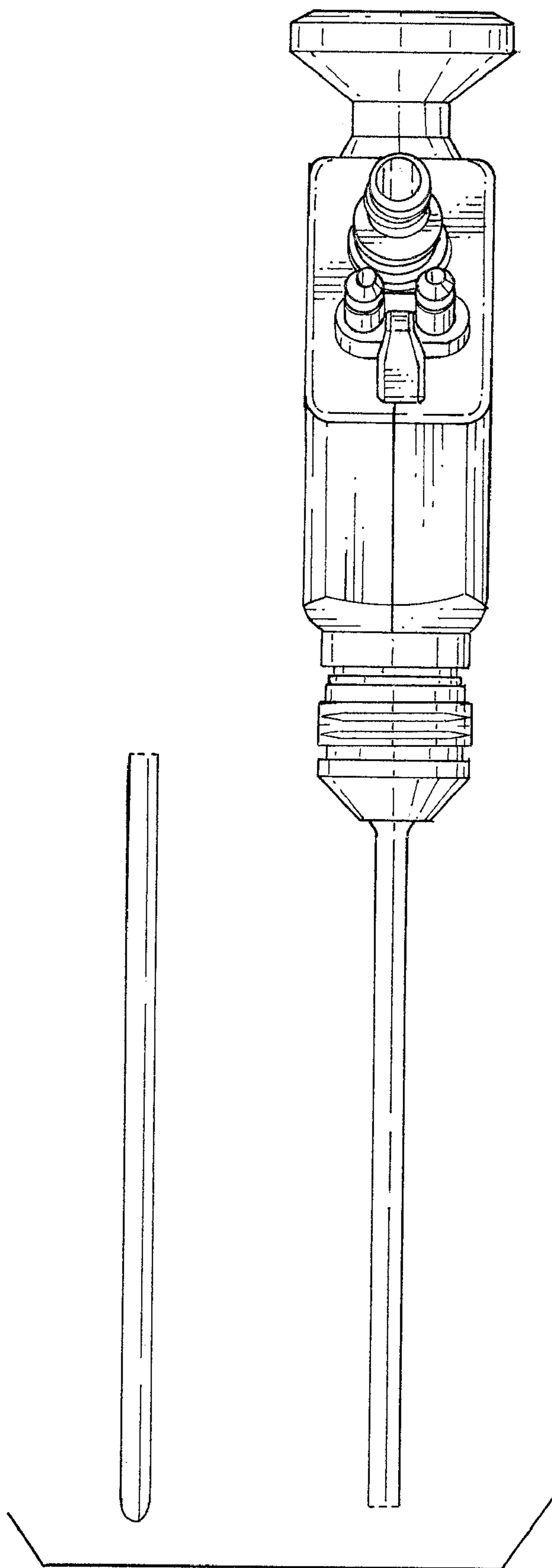


FIG. 4

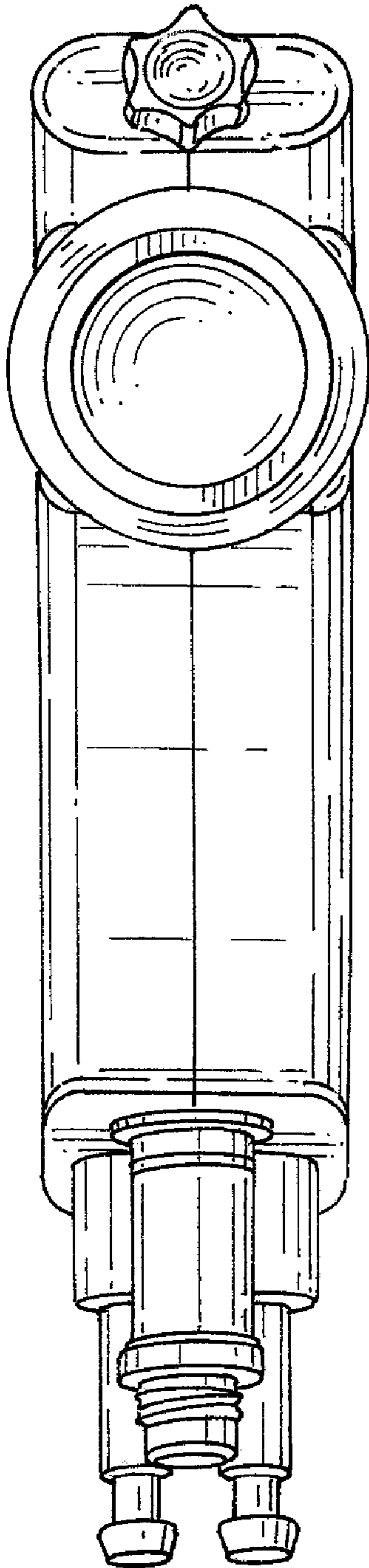


FIG. 5

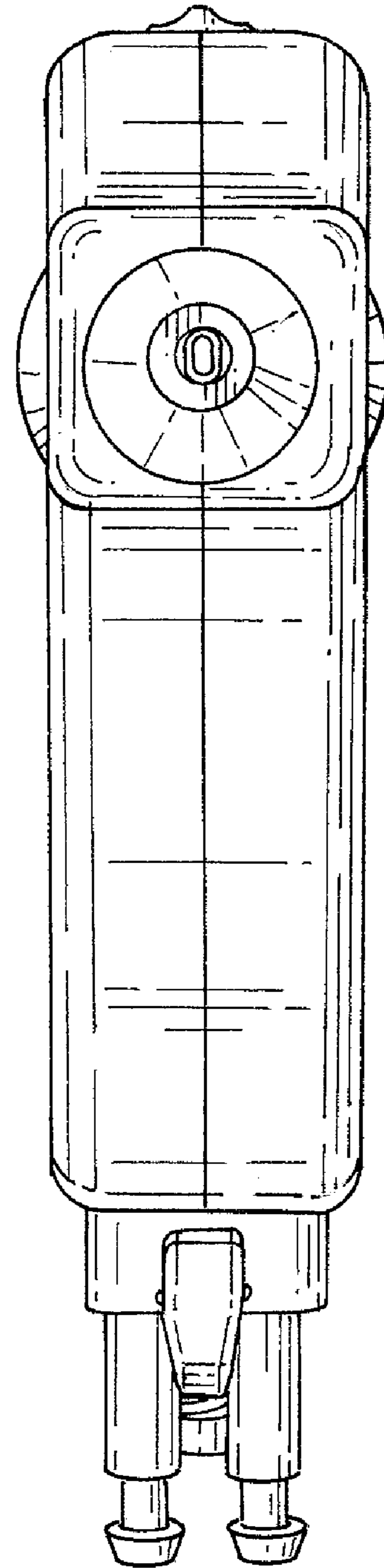


FIG. 6