



US00D619248S

(12) **United States Design Patent**  
**Yokota**

(10) **Patent No.:** **US D619,248 S**  
(45) **Date of Patent:** **\*\* Jul. 6, 2010**

(54) **MEDICAL DEVICE FOR INSERTING A VIDEO LARYNGOSCOPE**

(75) Inventor: **Hidetaka Yokota**, Tokyo (JP)  
(73) Assignee: **PENTAX Corporation**, Tokyo (JP)  
(\*\*) Term: **14 Years**

(21) Appl. No.: **29/258,383**  
(22) Filed: **Apr. 21, 2006**

(30) **Foreign Application Priority Data**

Oct. 25, 2005	(JP)	.....	2005-031219
Oct. 25, 2005	(JP)	.....	2005-031229
Oct. 25, 2005	(JP)	.....	2005-031239
Oct. 25, 2005	(JP)	.....	2005-031240
Oct. 25, 2005	(JP)	.....	2005-031241
Oct. 25, 2005	(JP)	.....	2005-031242

(51) **LOC (9) Cl.** ..... **24-02**  
(52) **U.S. Cl.** ..... **D24/137**  
(58) **Field of Classification Search** ..... D26/137;  
D24/137, 135, 136, 138; 600/103, 185, 188–190,  
600/193, 197, 199, 130, 121, 178, 109  
See application file for complete search history.

(56) **References Cited**

**U.S. PATENT DOCUMENTS**

D242,398 S *	11/1976	Bauman	.....	D24/138
D413,977 S *	9/1999	Cranton et al.	.....	D24/138
D435,655 S *	12/2000	Tamirisa	.....	D24/137
D534,652 S *	1/2007	McGrath	.....	D24/135
D541,937 S *	5/2007	Yee	.....	D24/137
D559,982 S *	1/2008	Iqbal	.....	D24/137
D562,452 S *	2/2008	Iqbal	.....	D24/137
D581,532 S *	11/2008	Cranton et al.	.....	D24/137
D593,201 S *	5/2009	Lash et al.	.....	D24/135
D598,544 S *	8/2009	Gaab et al.	.....	D24/135
2005/0148821 A1 *	7/2005	Berci et al.	.....	600/188
2006/0276693 A1 *	12/2006	Pacey	.....	600/188
2007/0173697 A1 *	7/2007	Dutcher et al.	.....	600/188
2008/0249355 A1 *	10/2008	Birnkrant et al.	.....	600/112
2008/0249370 A1 *	10/2008	Birnkrant et al.	.....	600/188

2009/0299146 A1\* 12/2009 McGrath ..... 600/188  
\* cited by examiner

*Primary Examiner*—Ian Simmons  
*Assistant Examiner*—Carissa C Fitts  
(74) *Attorney, Agent, or Firm*—Sughrue Mion, PLLC

(57) **CLAIM**

The ornamental design for a medical device for inserting a video laryngoscope, as shown and described.

**DESCRIPTION**

FIG. 1 is a perspective view of the front, top and right side of a medical device for inserting a video laryngoscope according to an embodiment showing my new design;

FIG. 2 is a perspective view of the rear, bottom and left side thereof;

FIG. 3 is a front view thereof;

FIG. 4 is a rear view thereof;

FIG. 5 is a left side view thereof;

FIG. 6 is a right side view thereof;

FIG. 7 is a top plan view thereof;

FIG. 8 is a bottom view thereof;

FIG. 9 is a perspective view of the front, top and right side of a medical device for inserting a video laryngoscope according to another embodiment showing my new design;

FIG. 10 is a perspective view of the rear, bottom and left side thereof;

FIG. 11 is a front view thereof;

FIG. 12 is a rear view thereof;

FIG. 13 is a left side view thereof;

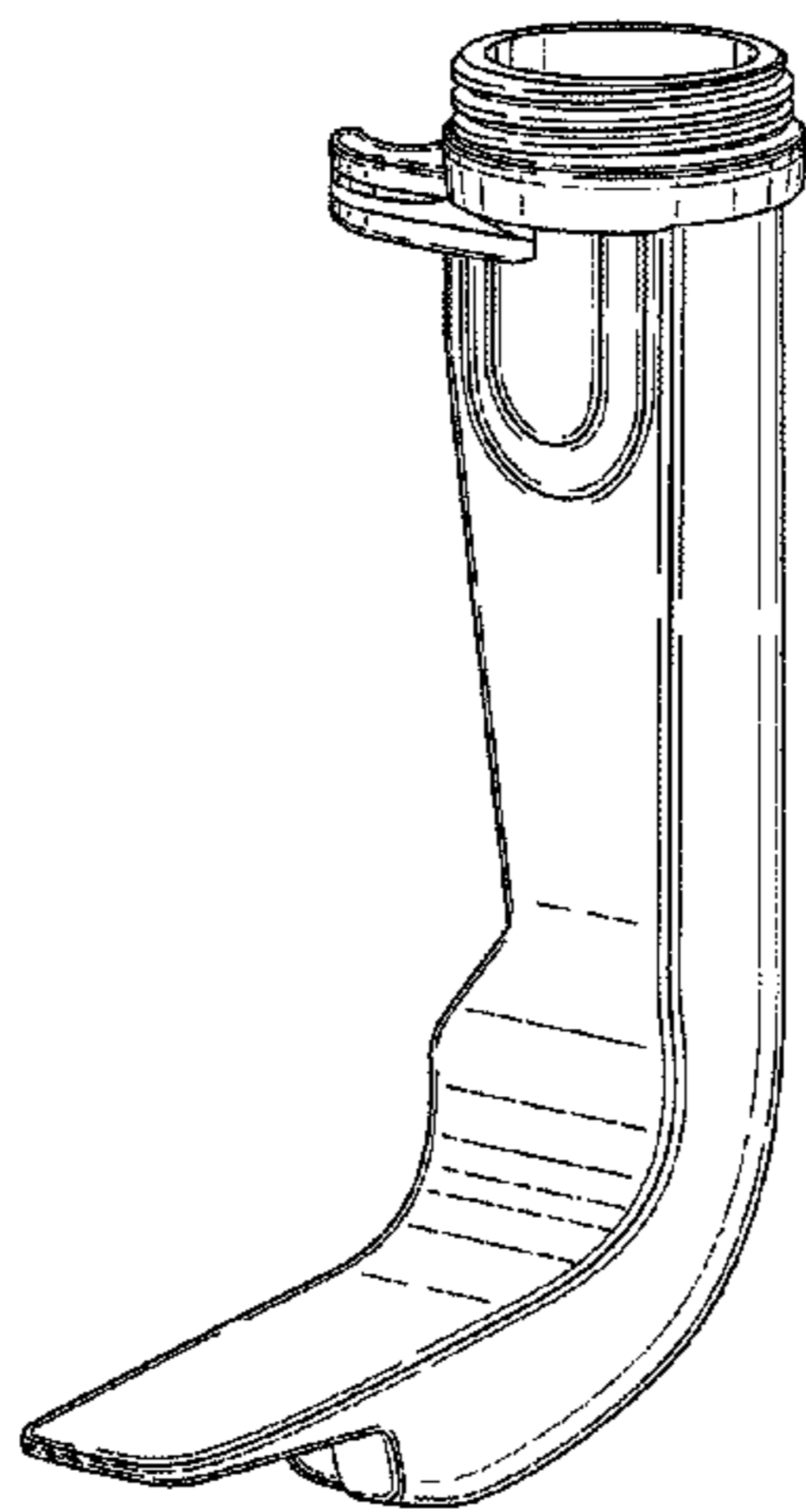
FIG. 14 is a right side view thereof;

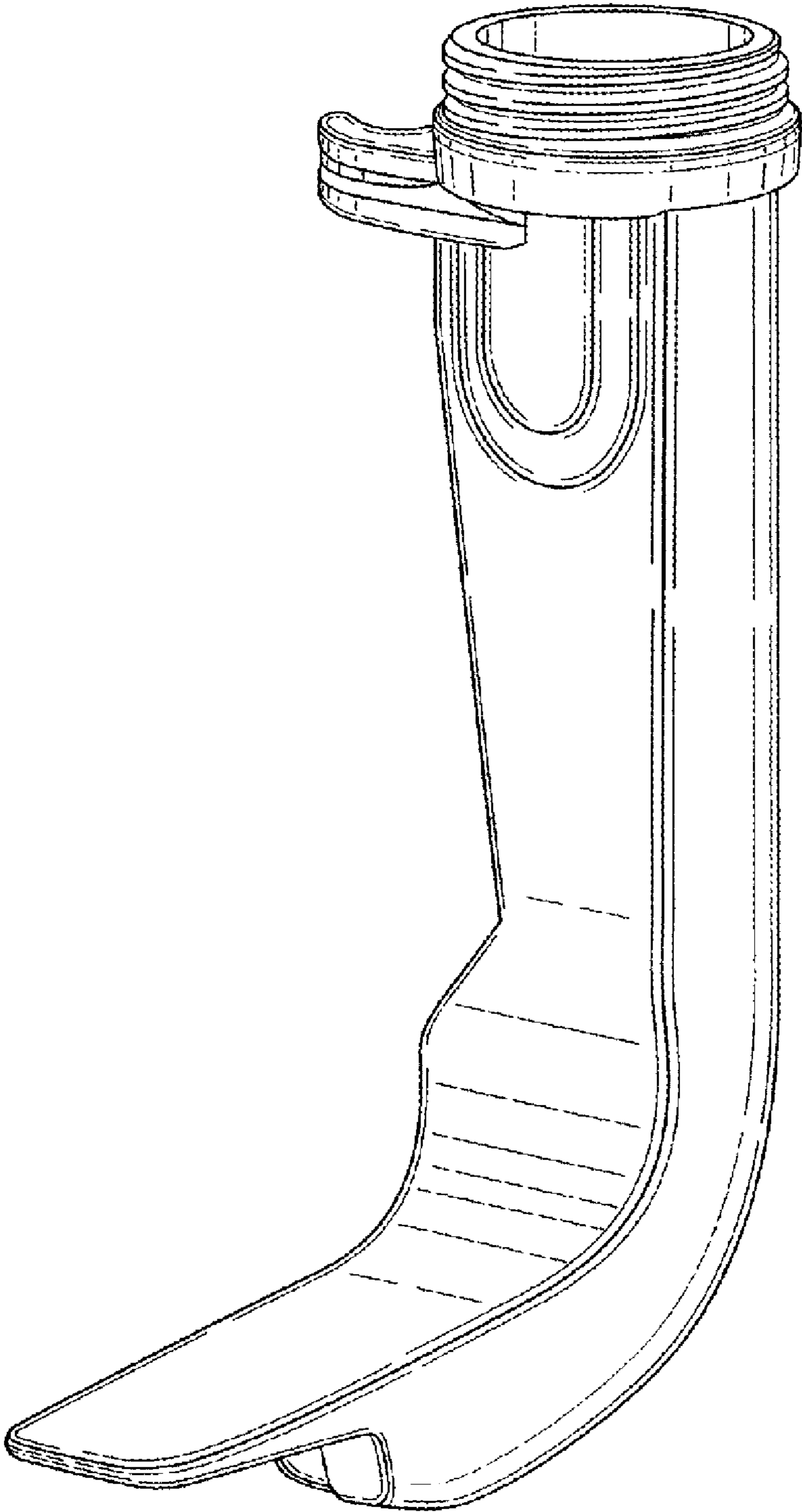
FIG. 15 is a top plan view thereof; and,

FIG. 16 is a bottom view thereof.

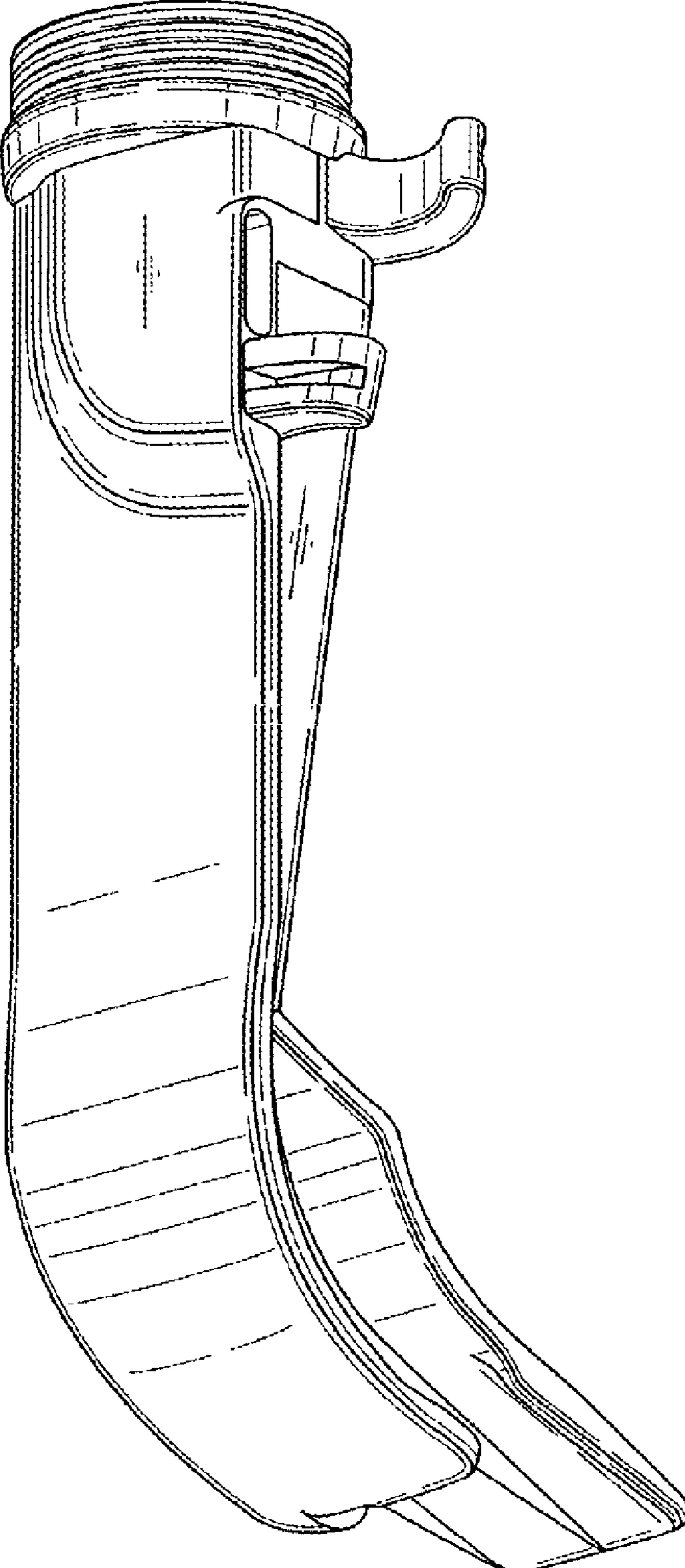
The elements shown in broken lines are for illustrative purposes only and form no part of the claimed design.

**1 Claim, 12 Drawing Sheets**

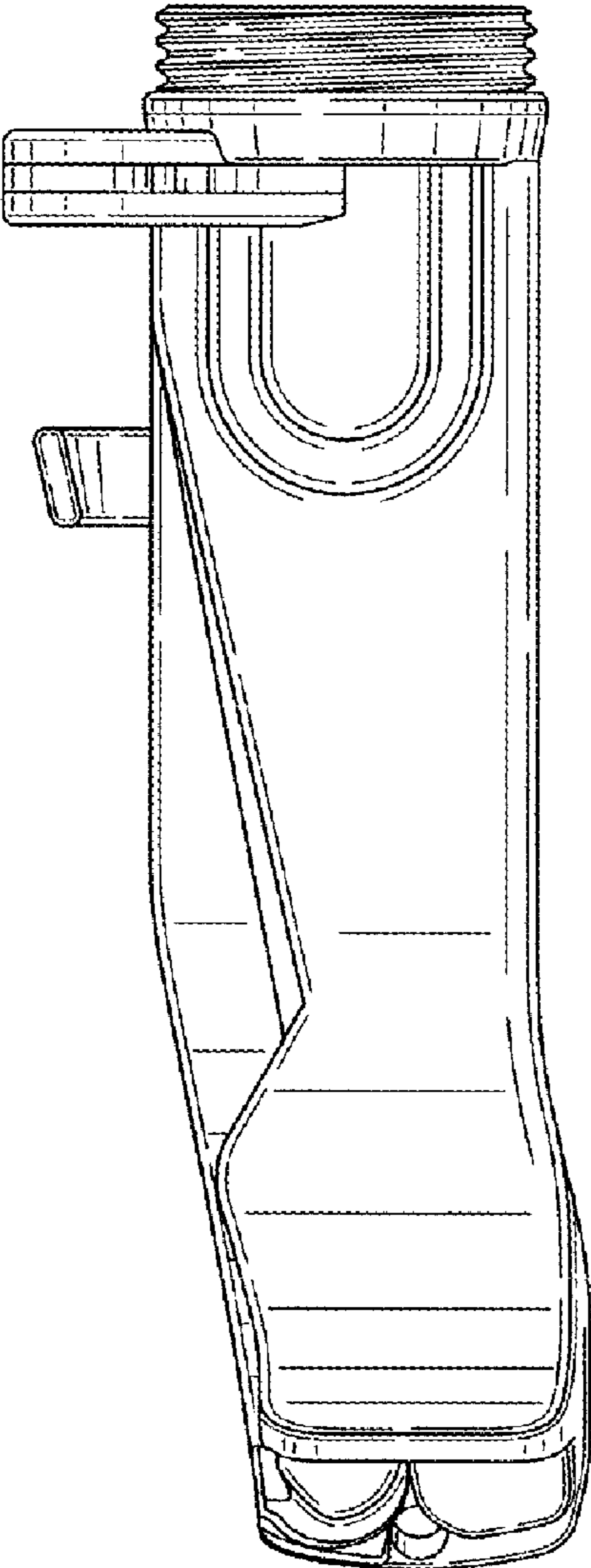




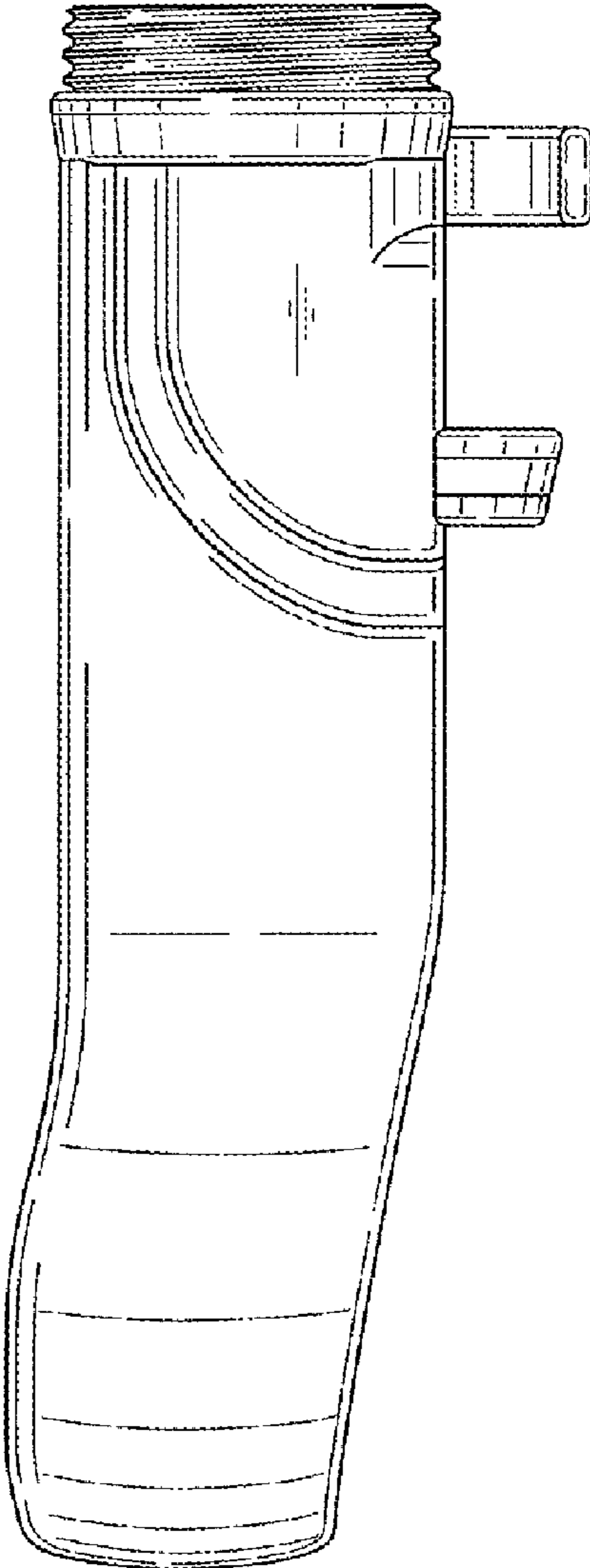
**FIG. 1**



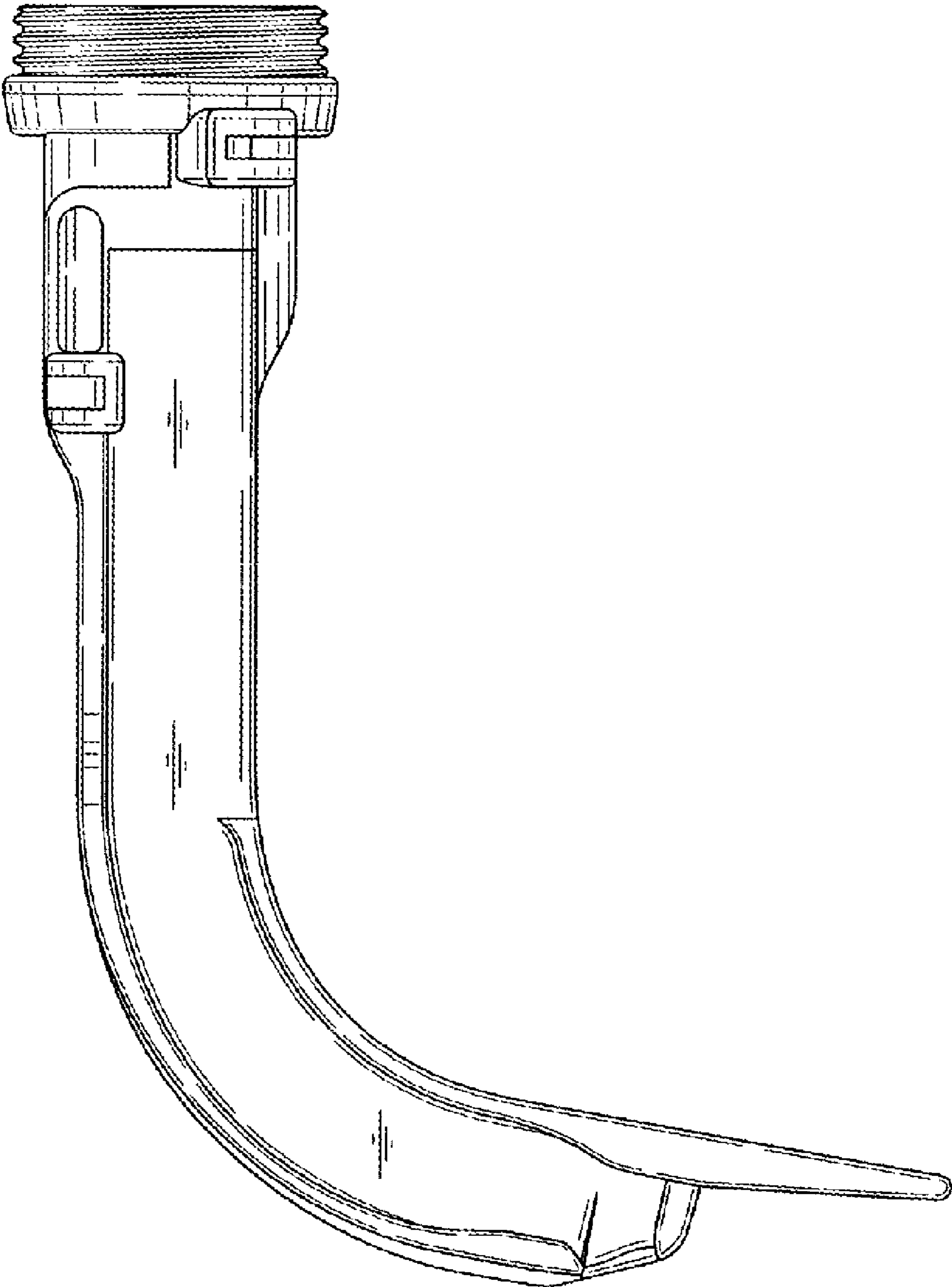
**FIG. 2**



*FIG. 3*

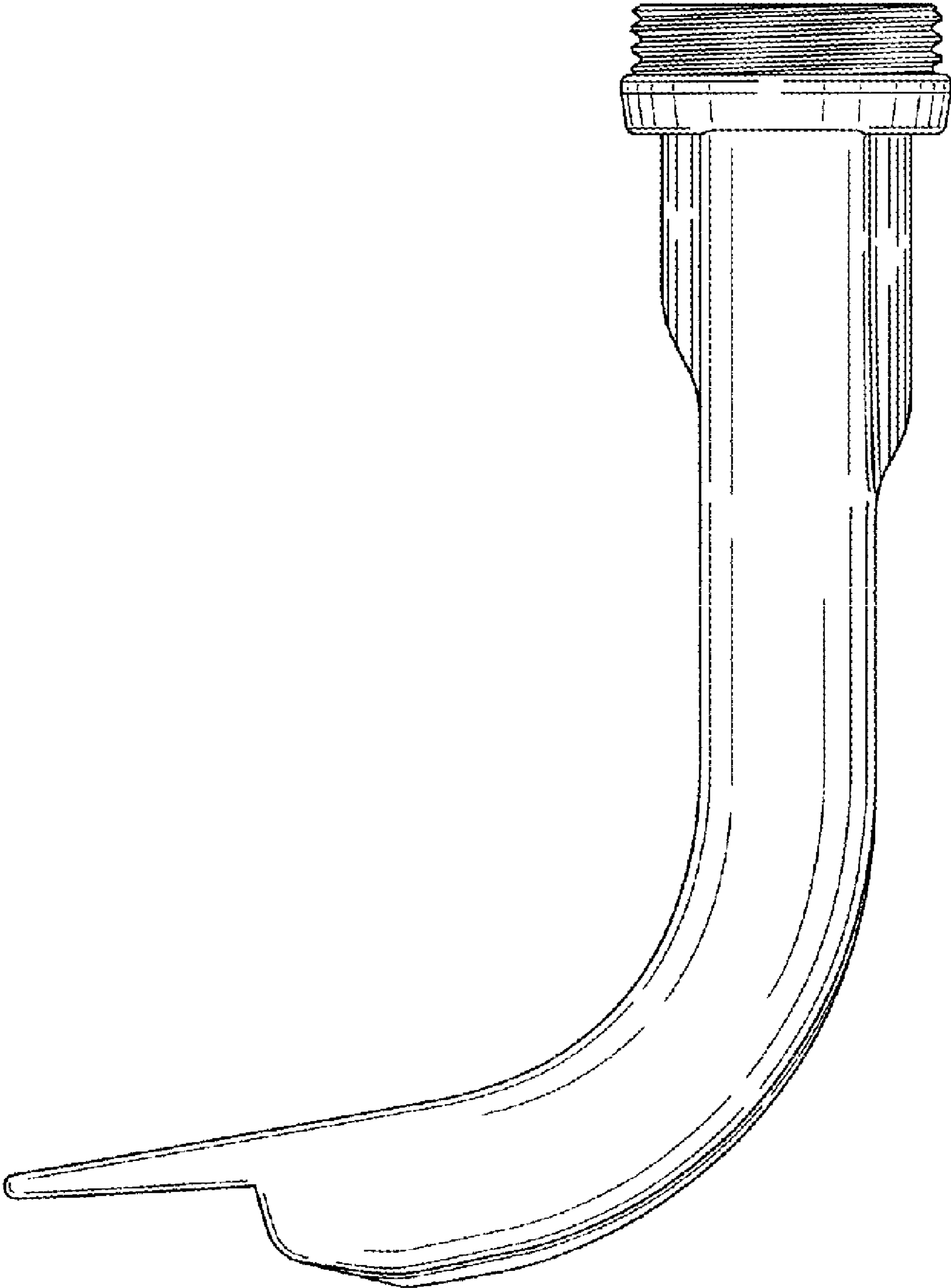


*FIG. 4*

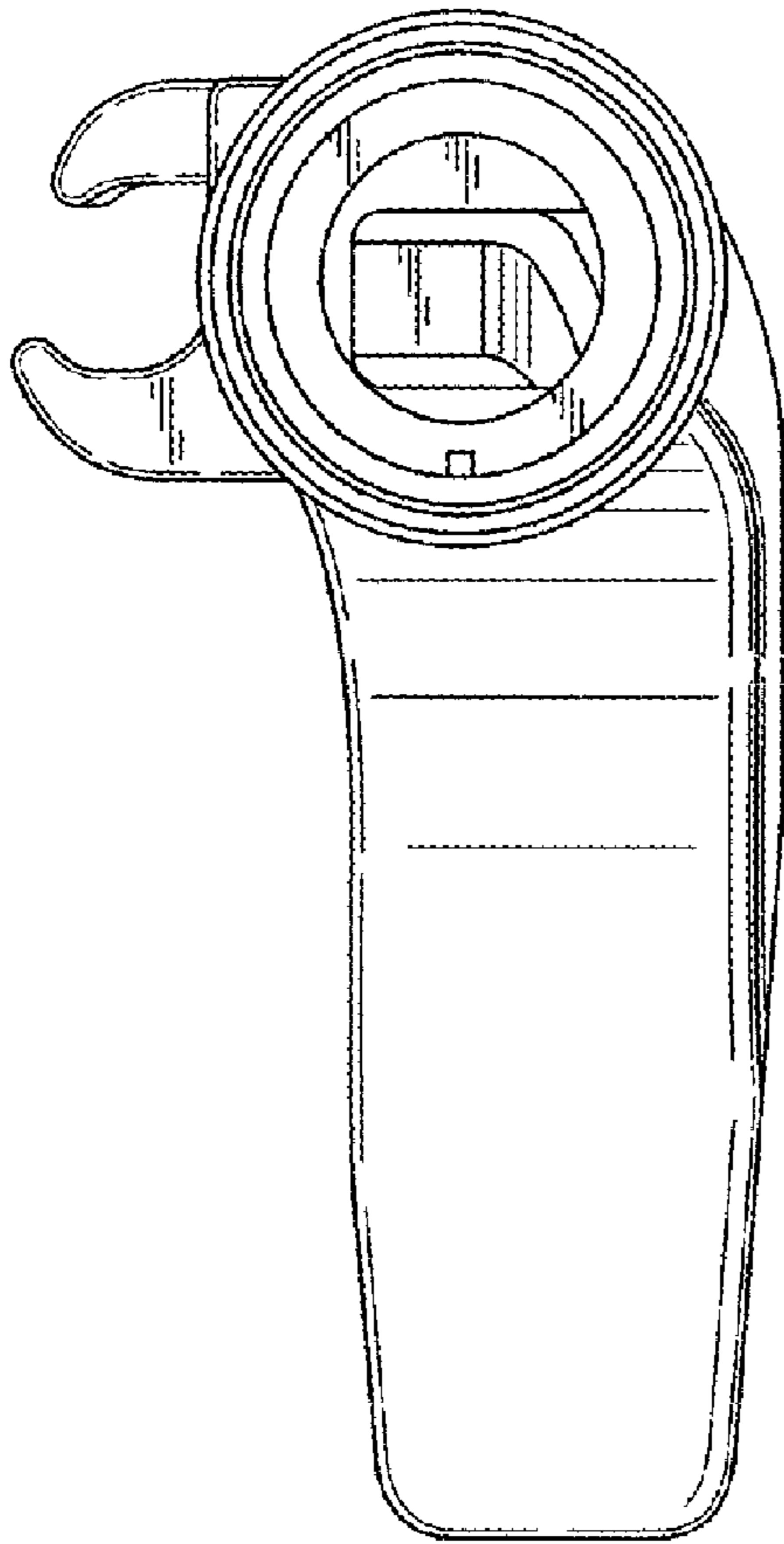


*FIG. 5*

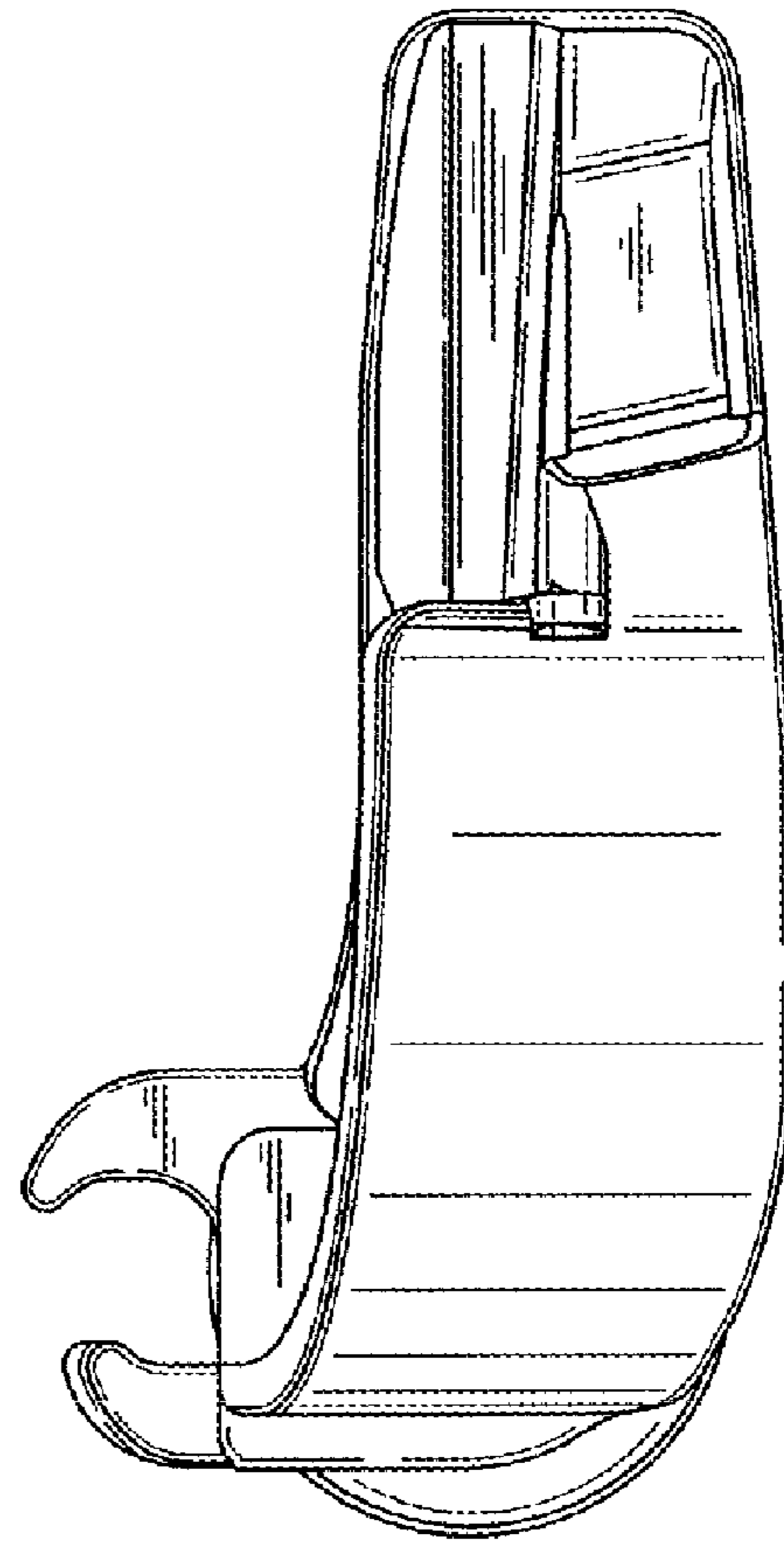




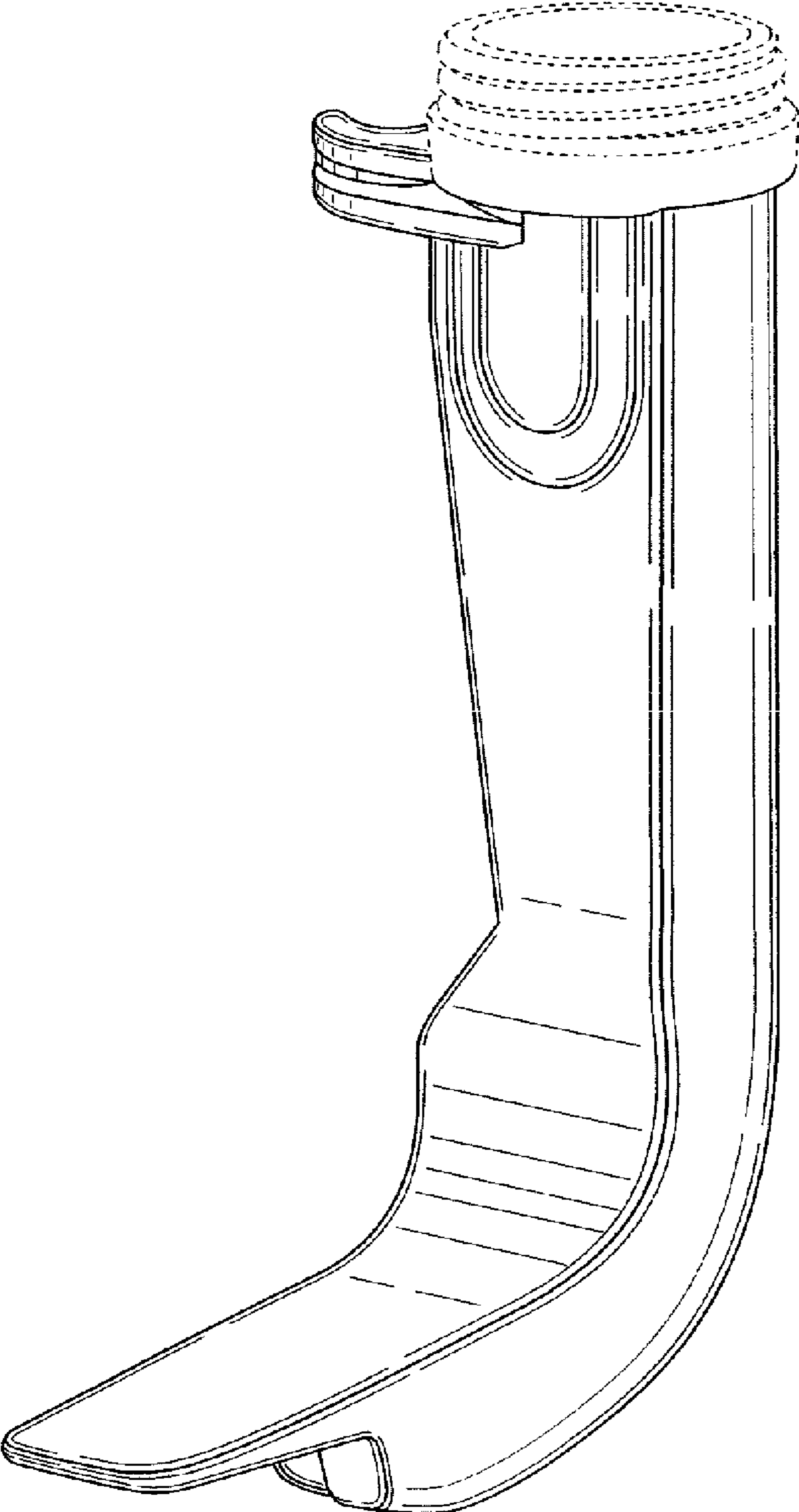
*FIG. 6*



*FIG. 7*

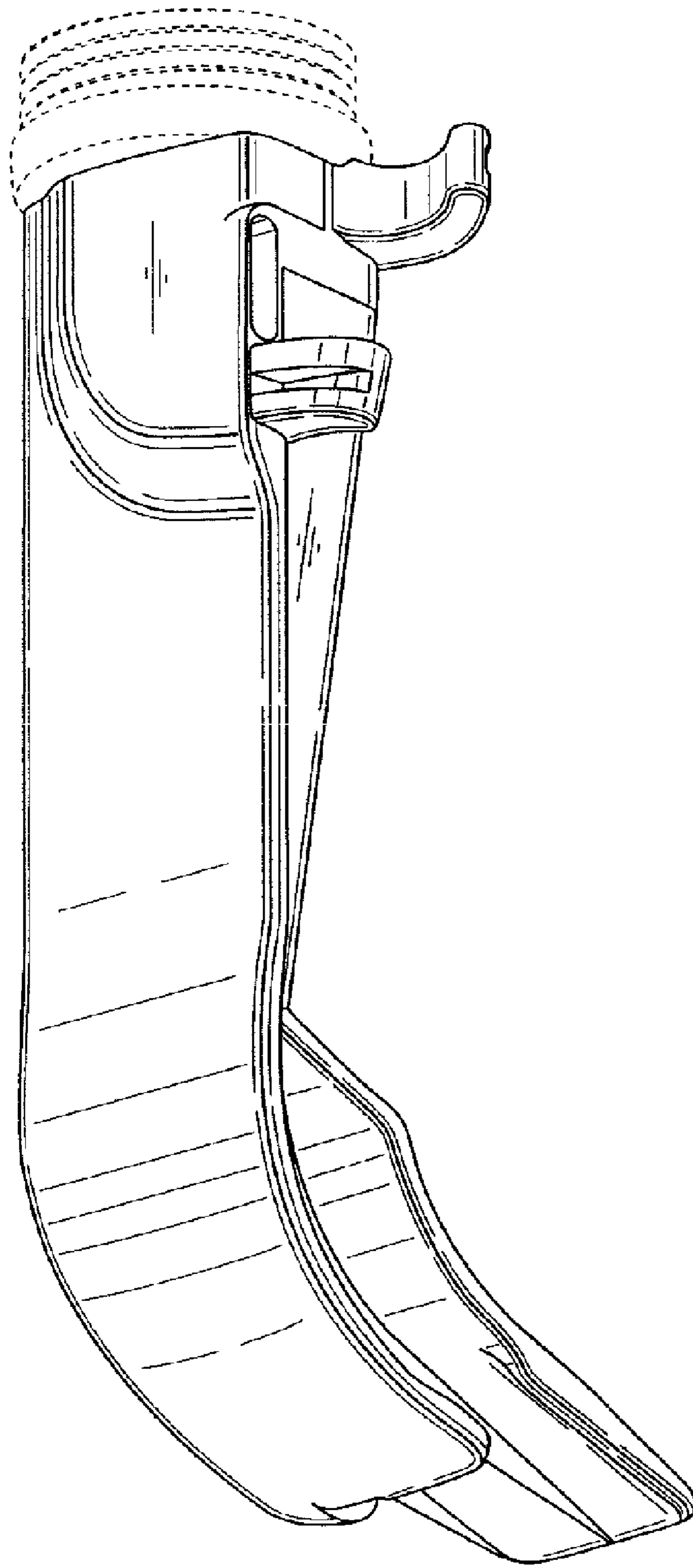


*FIG. 8*

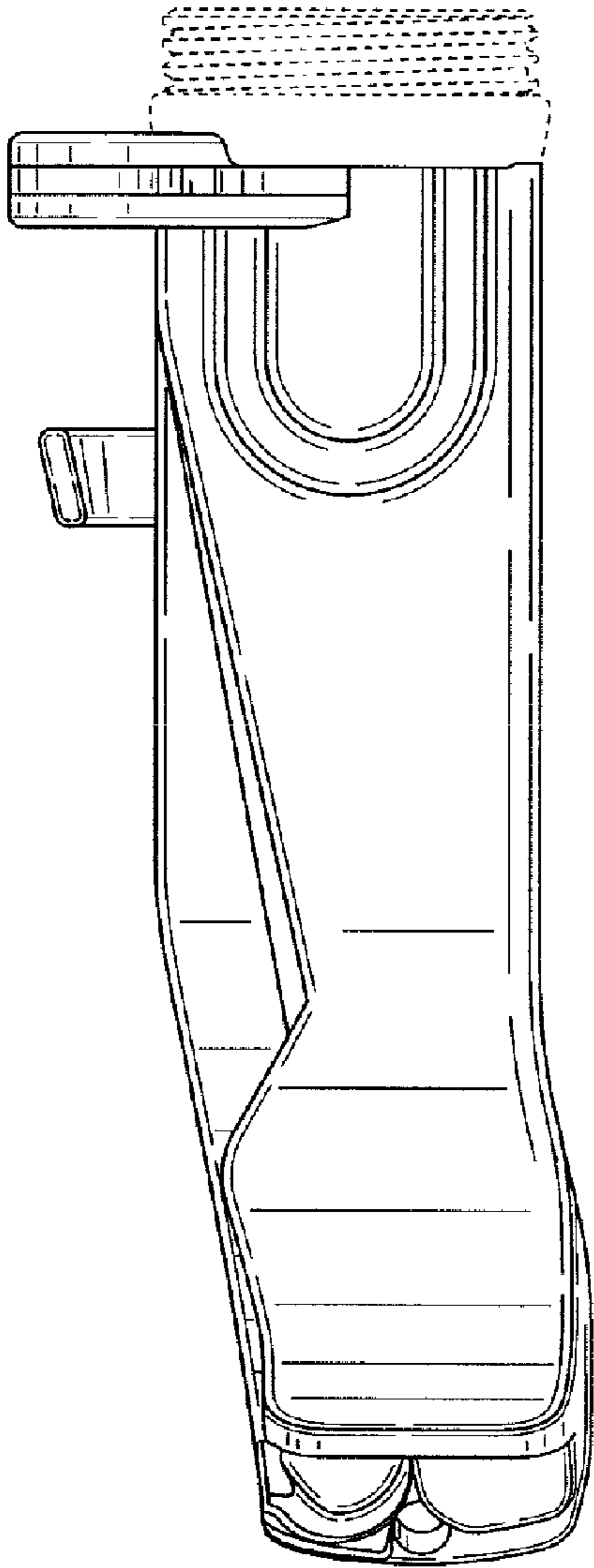


**FIG. 9**

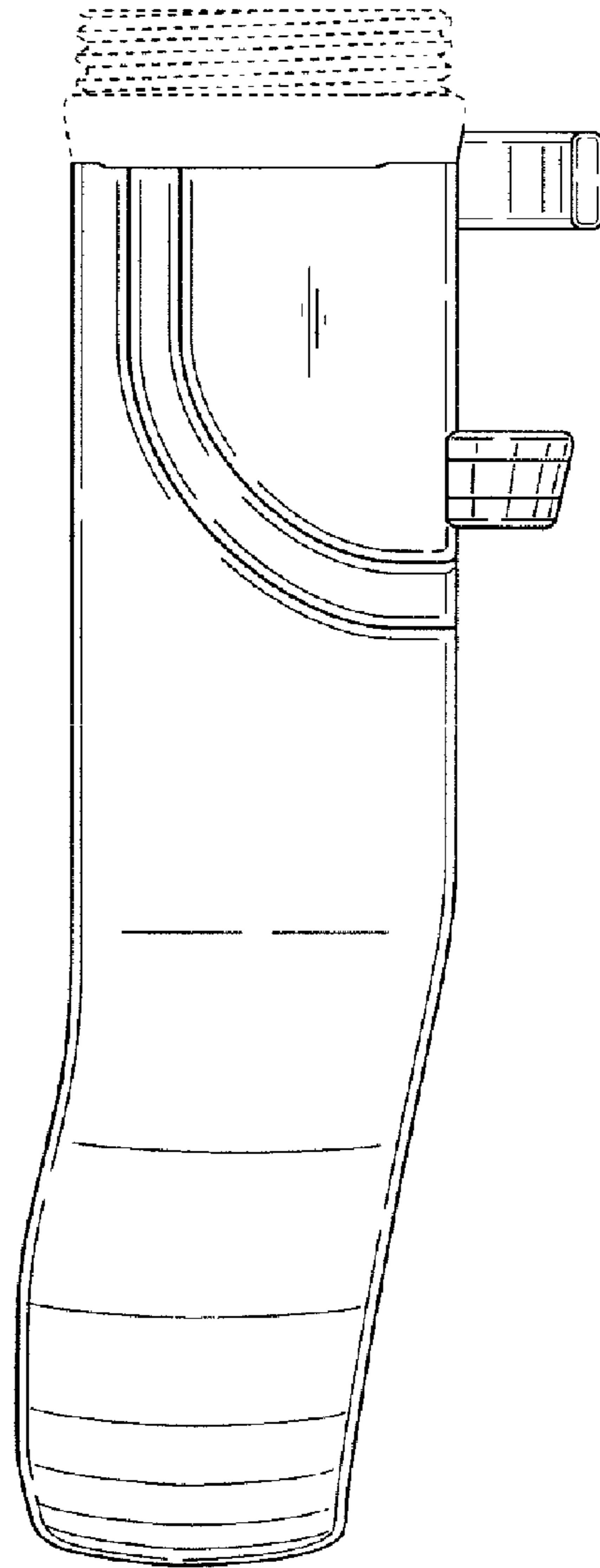




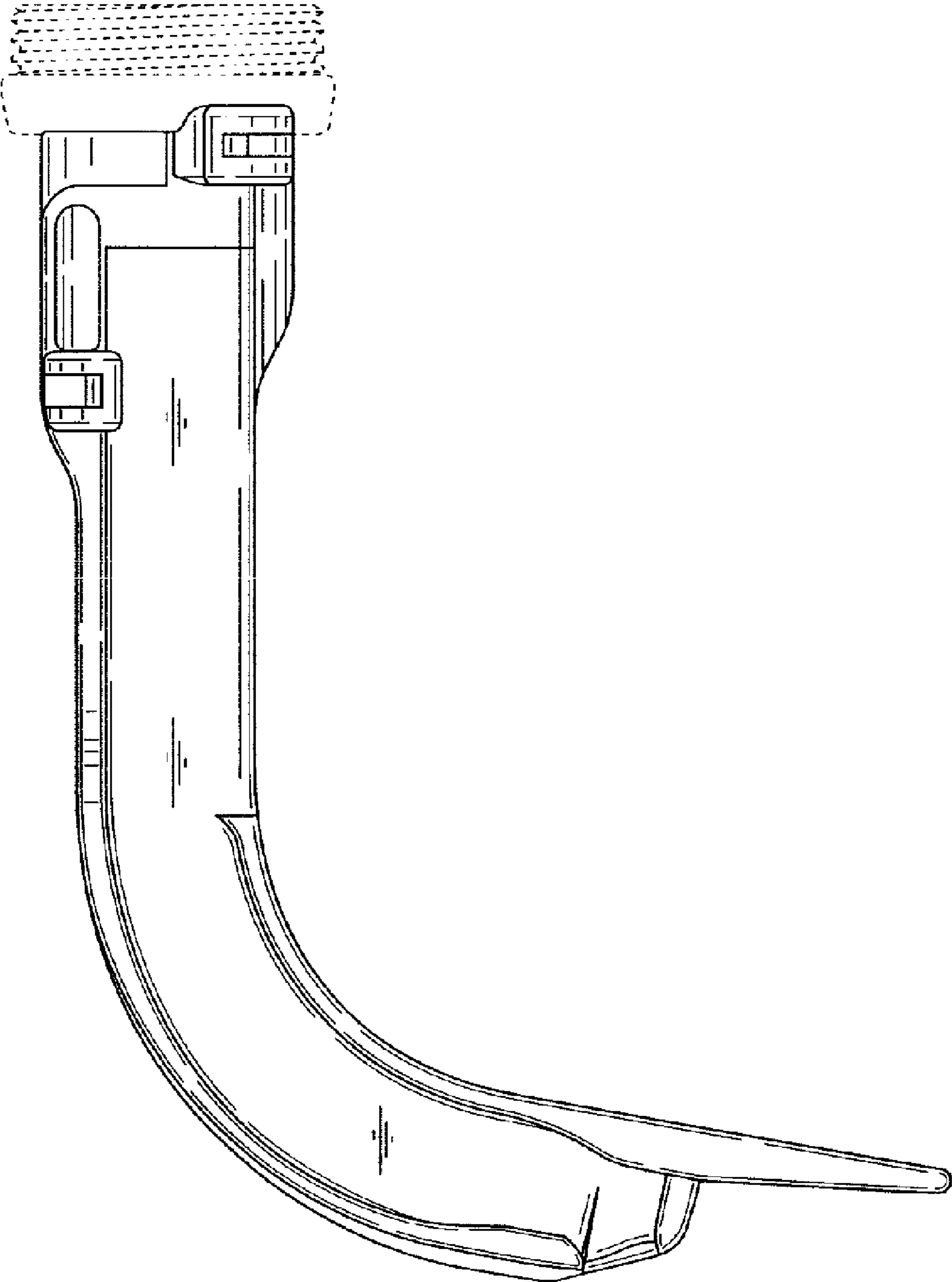
**FIG. 10**



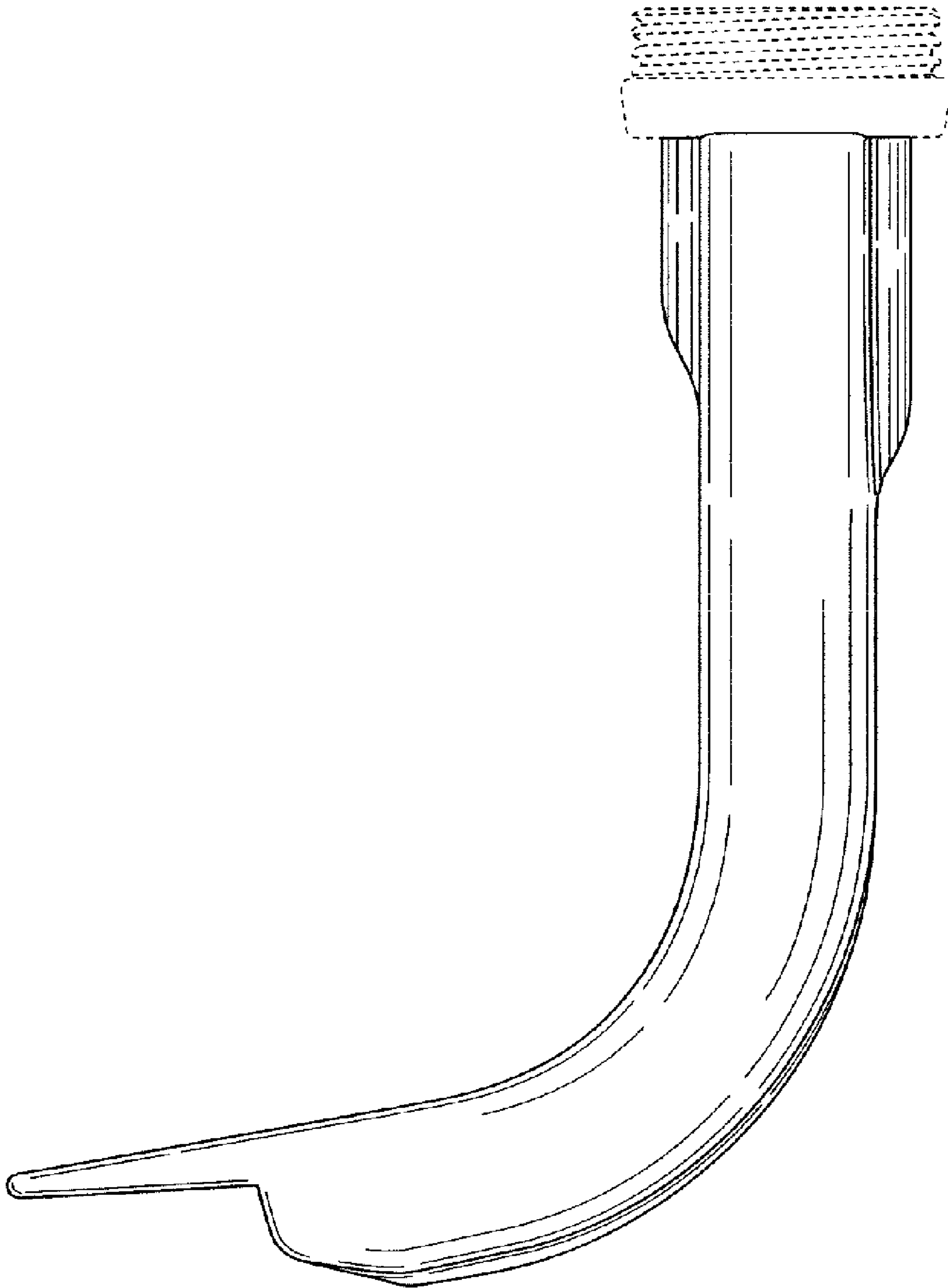
*FIG. 11*



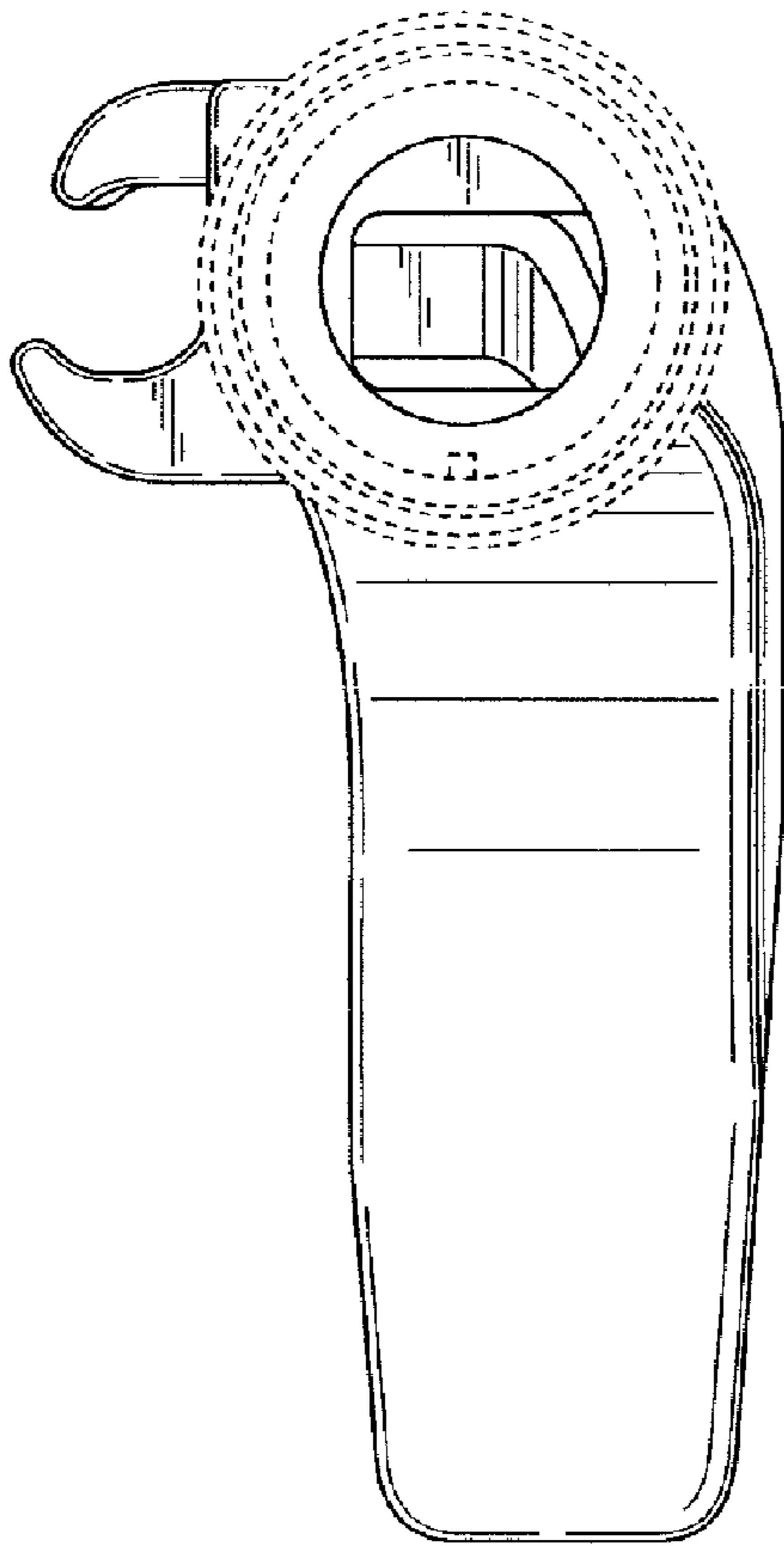
*FIG. 12*



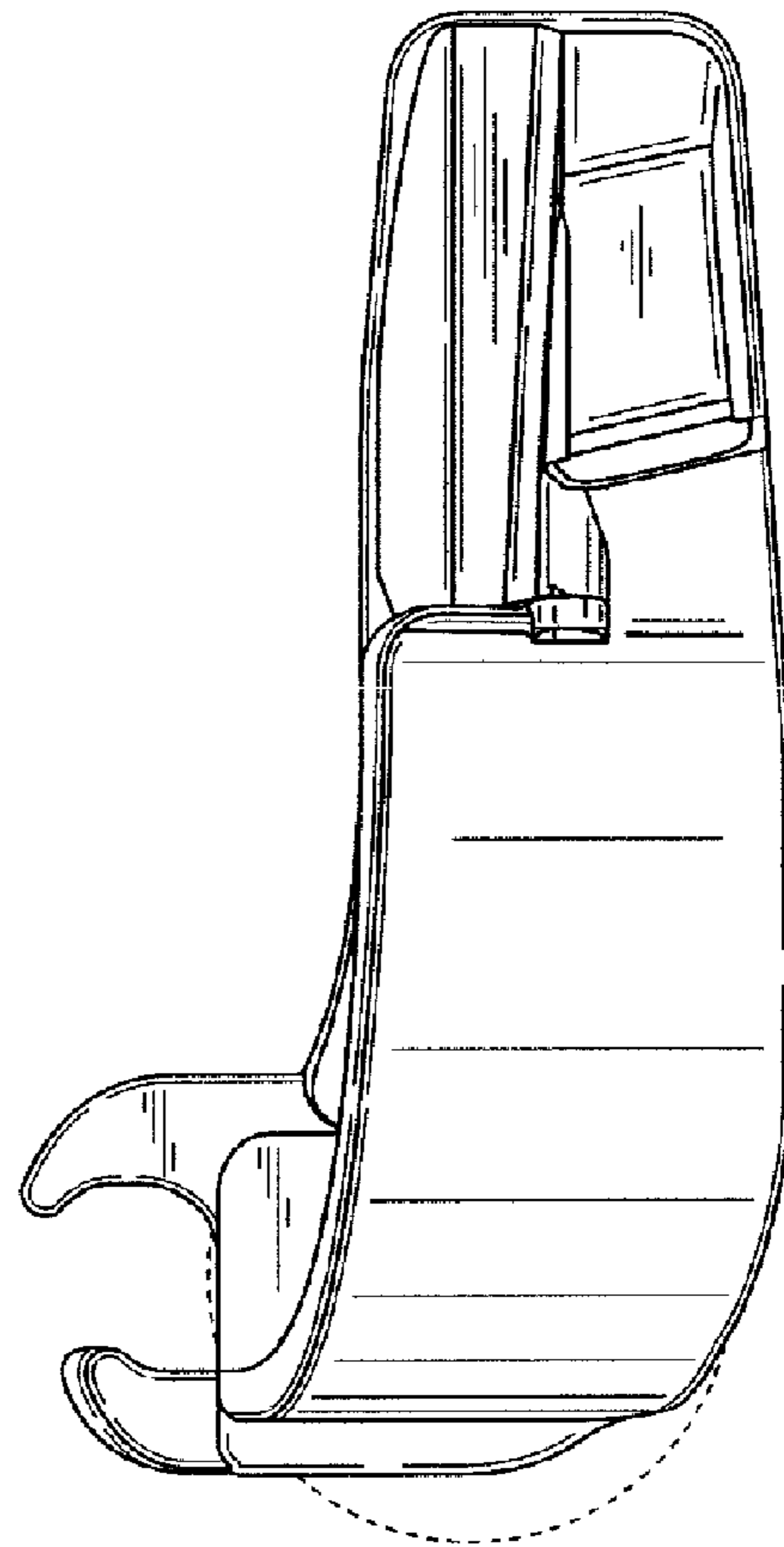
**FIG. 13**



**FIG. 14**



*FIG. 15*



*FIG. 16*