



US00D619245S

(12) **United States Design Patent**
Moga et al.

(10) **Patent No.:** **US D619,245 S**
(45) **Date of Patent:** **** Jul. 6, 2010**

(54) **DRUG DELIVERY DEVICE**

(75) Inventors: **Benjamin J. Moga**, Madison, WI (US);
Kent B. Chase, Sun Prairie, WI (US);
Garrick D. S. Smith, Madison, WI (US)

(73) Assignees: **Ratio, Inc.**, Monona, WI (US); **FluGen, Inc.**, Madison, WI (US)

(**) Term: **14 Years**

(21) Appl. No.: **29/353,490**

(22) Filed: **Jan. 8, 2010**

(51) **LOC (9) Cl.** **24-02**

(52) **U.S. Cl.** **D24/113**

(58) **Field of Classification Search** D24/112–114,
D24/133, 186, 104, 130, 127, 176, 108, 110,
D24/220; 606/181, 185; 604/232, 187, 158,
604/164.08, 192, 263, 163, 181, 184, 198,
604/227, 168.01, 275, 890.1; D9/414, 424,
D9/417, 426

See application file for complete search history.

(56) **References Cited**

U.S. PATENT DOCUMENTS

D256,727	S	*	9/1980	Borg et al.	D24/220
D314,844	S	*	2/1991	Baharad	D24/110
D350,602	S	*	9/1994	Hobbs	D24/110
5,527,288	A		6/1996	Gross et al.		
D375,553	S	*	11/1996	Creed et al.	D24/112
D381,415	S	*	7/1997	Iddon et al.	D24/110
D405,014	S	*	2/1999	Nask et al.	D9/417
6,611,707	B1		8/2003	Prausnitz et al.		
6,623,457	B1		9/2003	Rosenberg		
D488,558	S	*	4/2004	Hall	D24/108
D493,105	S	*	7/2004	Childs et al.	D9/426
6,881,203	B2		4/2005	Delmore et al.		
6,908,453	B2		6/2005	Fleming et al.		

7,097,631	B2		8/2006	Trautman et al.		
D552,500	S	*	10/2007	Forslund	D24/186
D552,739	S	*	10/2007	Green	D24/186
D589,340	S	*	3/2009	Busse et al.	D9/424

(Continued)

OTHER PUBLICATIONS

Roxhed, Niclas, A Fully Integrated Microneedle-based Transdermal Drug Delivery System, Royal Institute of Technology, Stockholm, Sweden, 2007, 92 pgs.

Primary Examiner—T. Chase Nelson

Assistant Examiner—David G Muller

(74) *Attorney, Agent, or Firm*—Foley & Lardner LLP

(57) **CLAIM**

We claim the ornamental design for a drug delivery device, as shown and described.

DESCRIPTION

FIG. 1 is a perspective view from above of an embodiment of the claimed design;

FIG. 2 is a perspective view from below of the claimed design;

FIG. 3 is a front view of the claimed design;

FIG. 4 is a rear view of the claimed design;

FIG. 5 is a right side view of the claimed design;

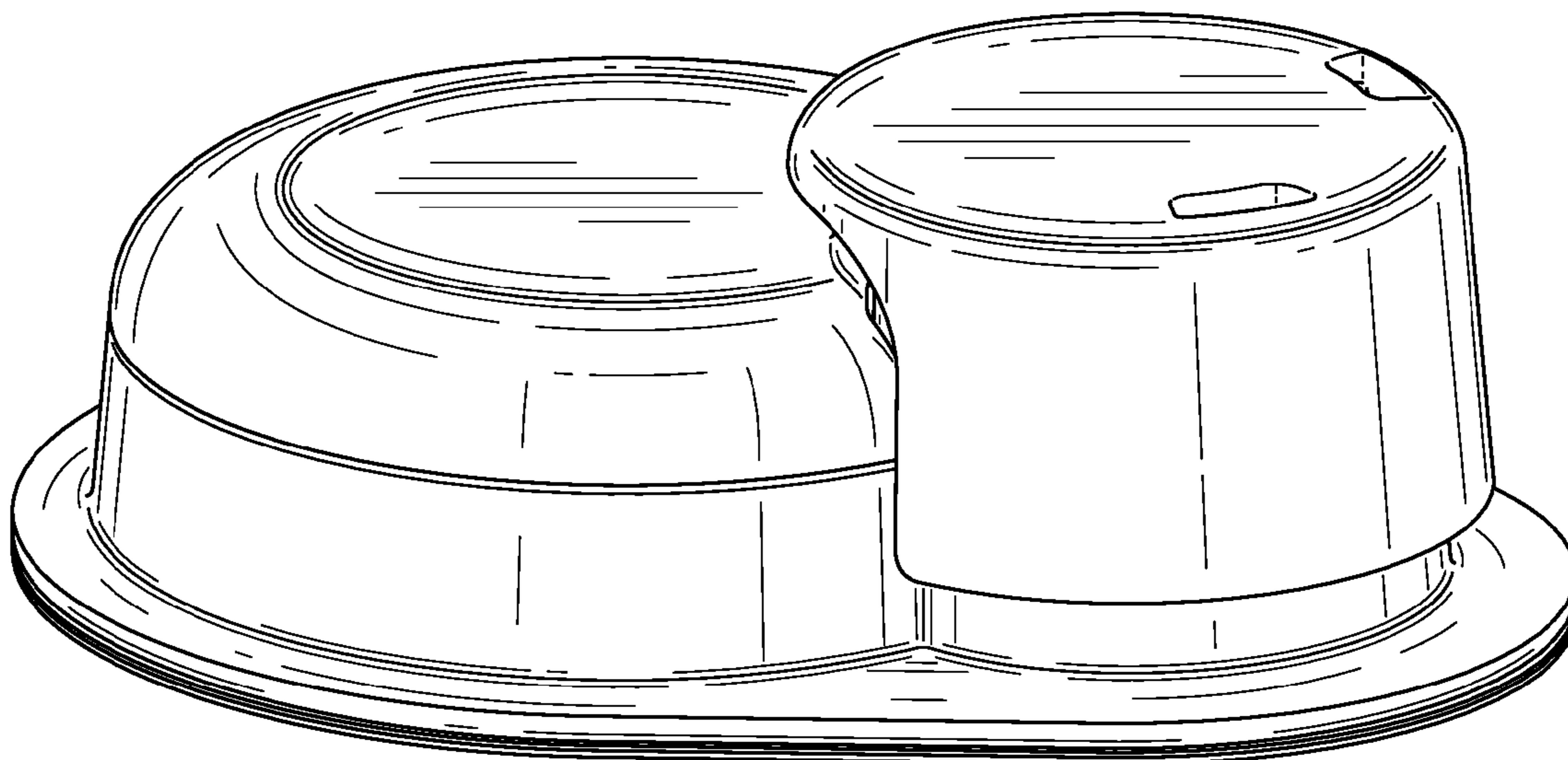
FIG. 6 is a left side view of the claimed design;

FIG. 7 is a top view of the claimed design; and,

FIG. 8 is a bottom view of the claimed design.

The broken line showing of parts of the drawings is included for the purpose of illustrating use and environment and forms no part of the claimed design.

1 Claim, 4 Drawing Sheets



US D619,245 S

Page 2

U.S. PATENT DOCUMENTS

D602,586 S *	10/2009	Foley et al.	D24/113	2007/0191761 A1	8/2007	Boone et al.
D604,832 S *	11/2009	Smutney et al.	D24/110	2007/0191780 A1	8/2007	Modi
7,678,079 B2	3/2010	Shermer et al.		2008/0015522 A1	1/2008	Yeshurun et al.
2002/0099356 A1	7/2002	Unger et al.		2008/0088066 A1	4/2008	Ferguson et al.
2003/0135159 A1	7/2003	Daily et al.		2008/0091226 A1	4/2008	Yeshurun et al.
2005/0038379 A1	2/2005	Beebe et al.		2008/0114298 A1	5/2008	Cantor et al.
2005/0228340 A1	10/2005	Cleary et al.		2009/0012494 A1	1/2009	Yeshurun et al.
2006/0161111 A1	7/2006	Potter et al.		2009/0043279 A1	2/2009	Kaspar et al.
2007/0161964 A1	7/2007	Yuzhakov		2010/0030156 A1	2/2010	Beebe et al.
				2010/0030198 A1	2/2010	Beebe et al.

* cited by examiner



FIG. 1

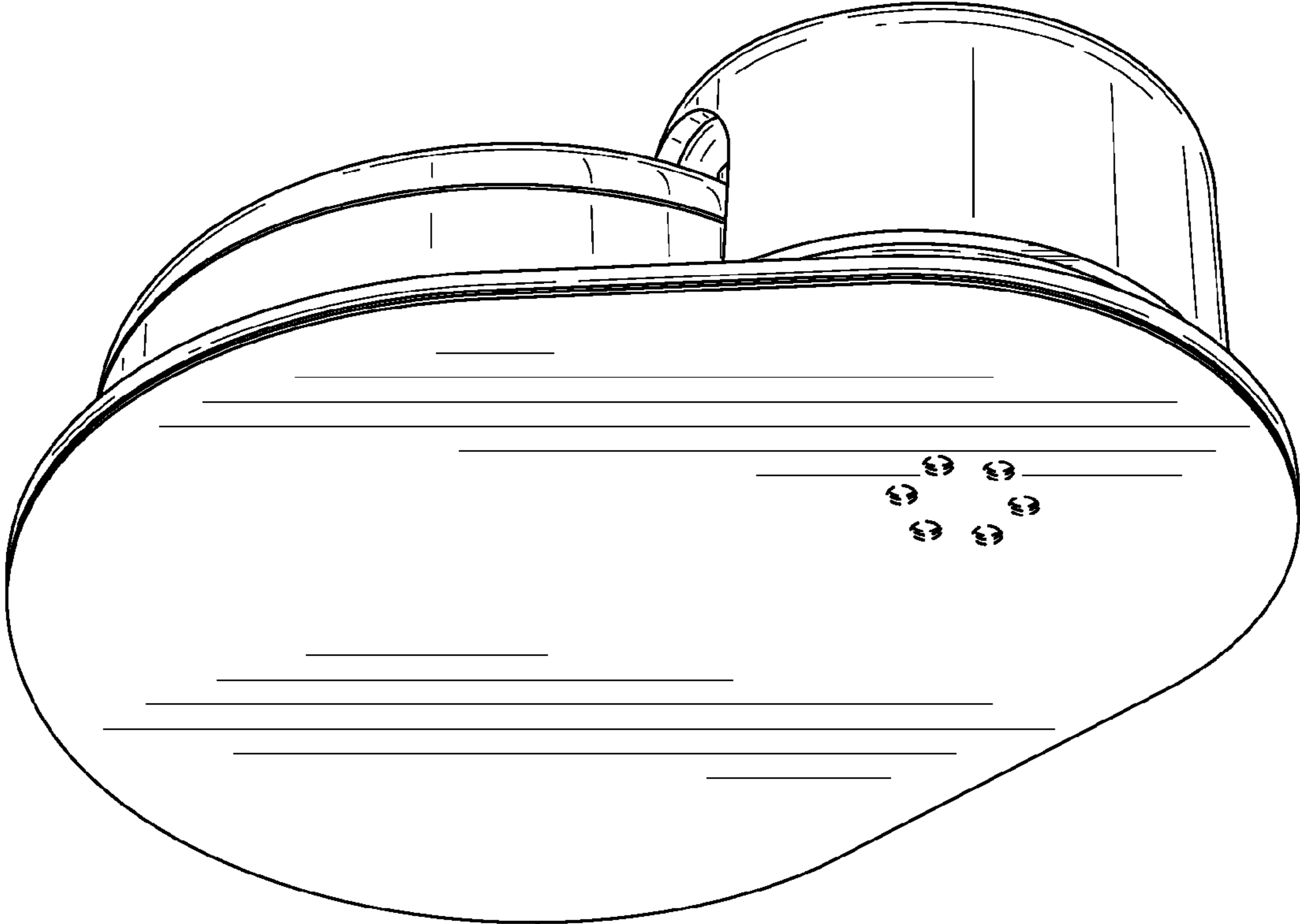


FIG. 2

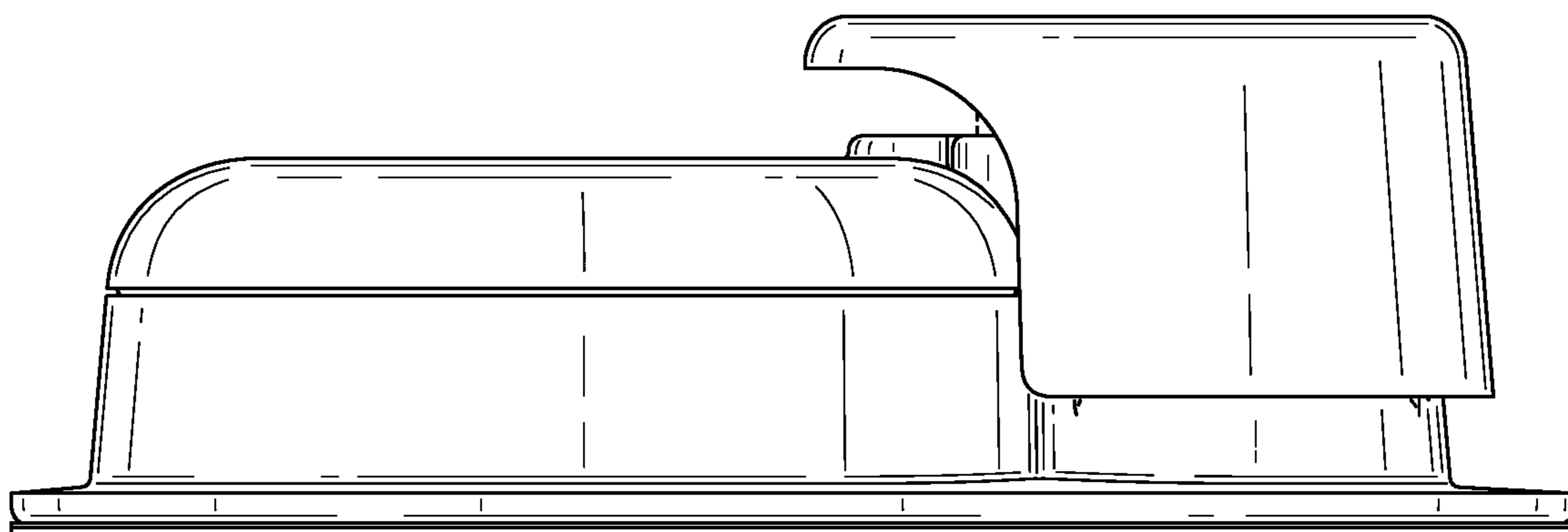


FIG. 3

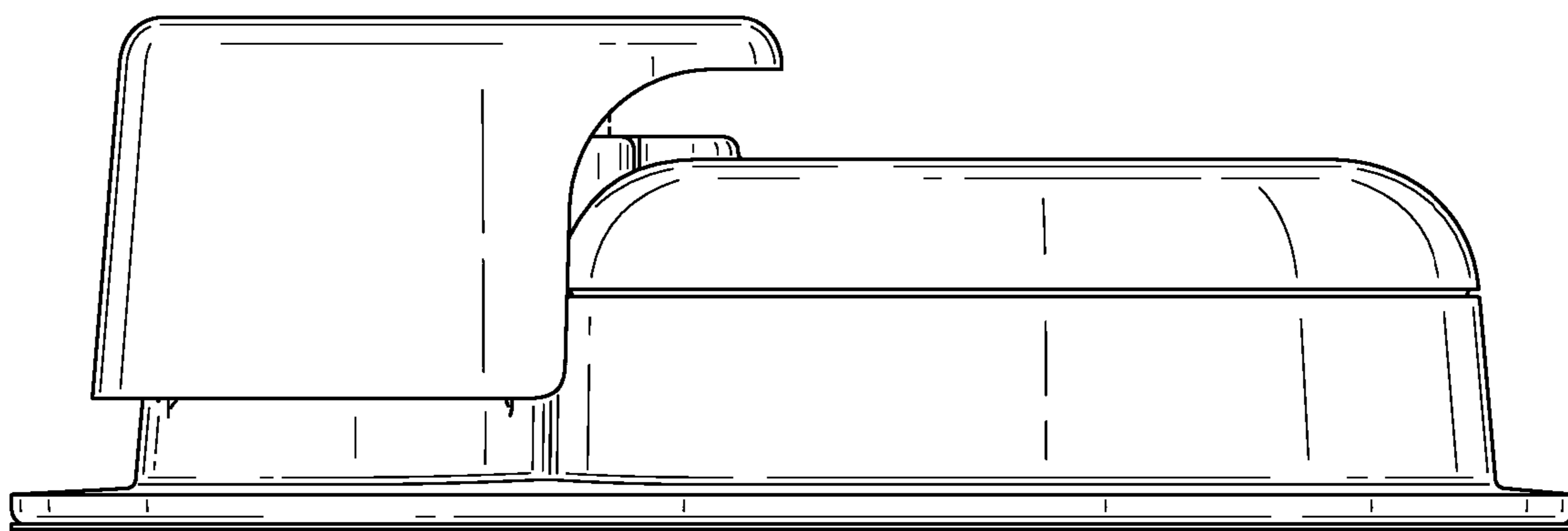


FIG. 4

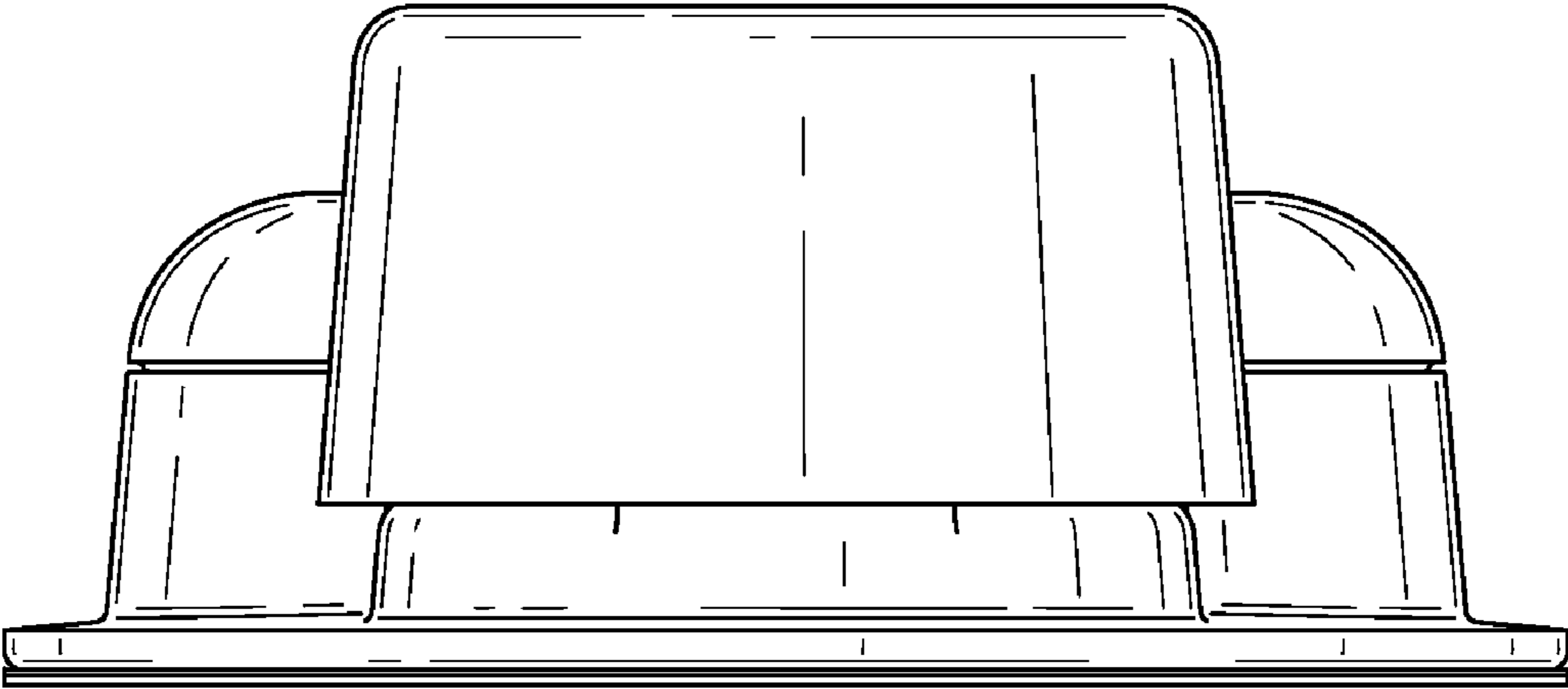


FIG. 5

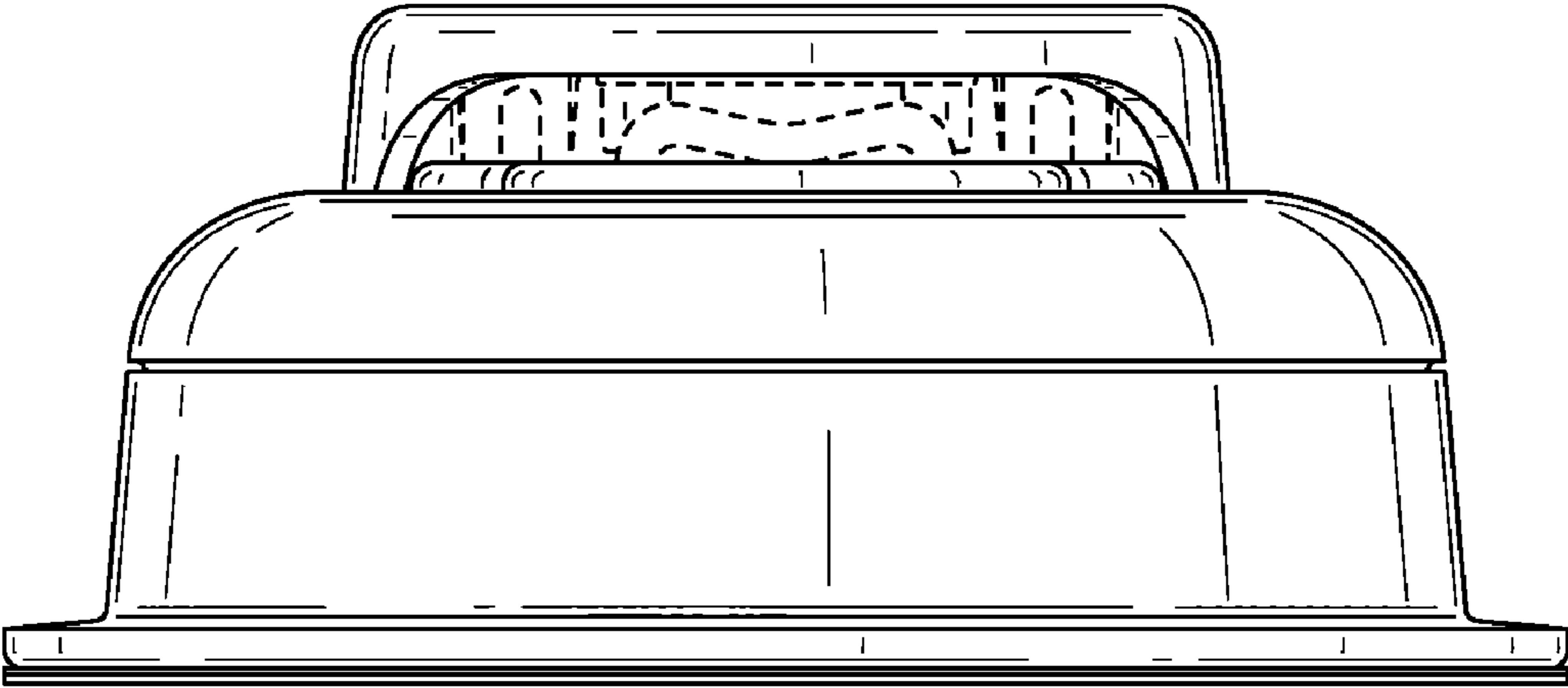


FIG. 6

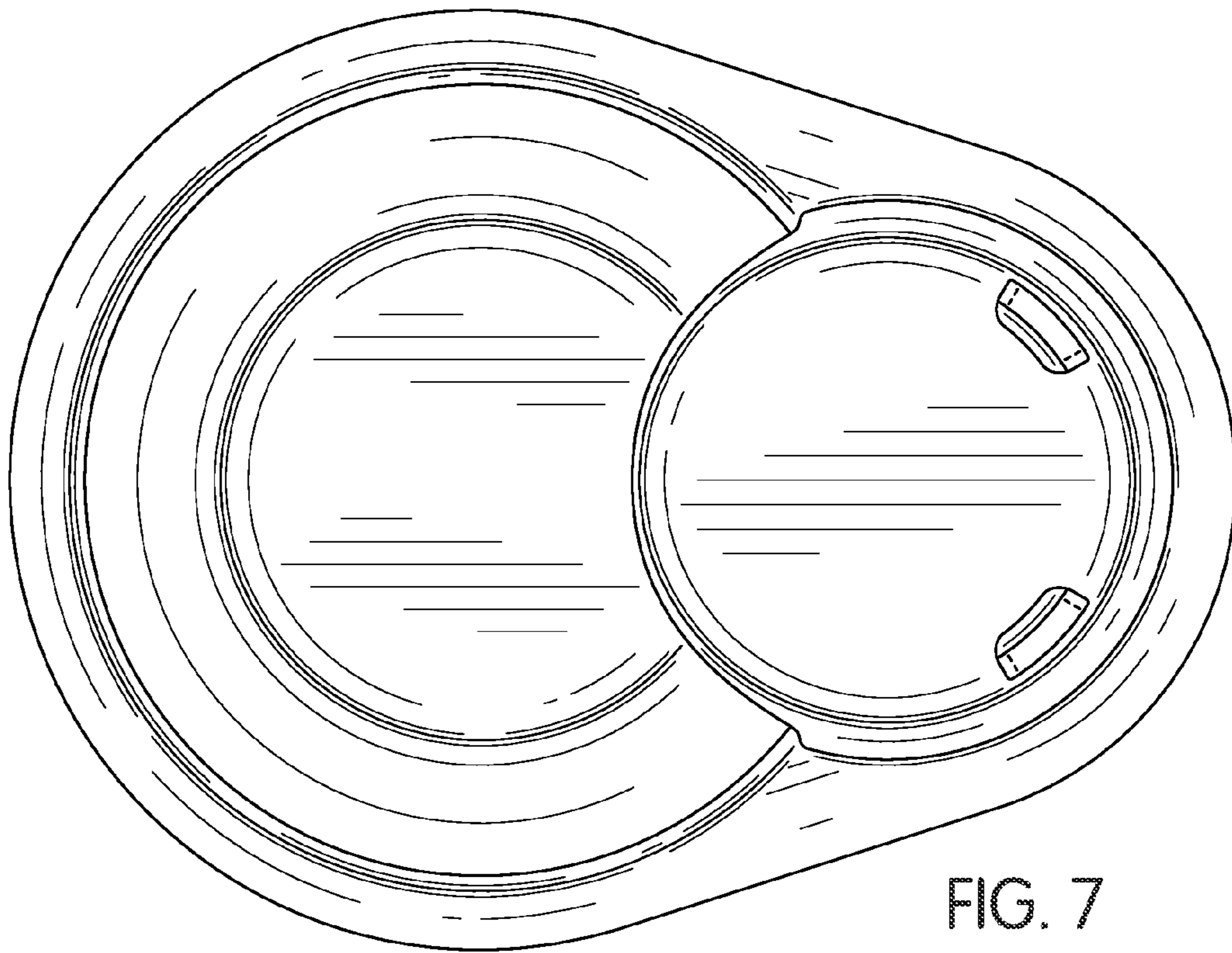


FIG. 7

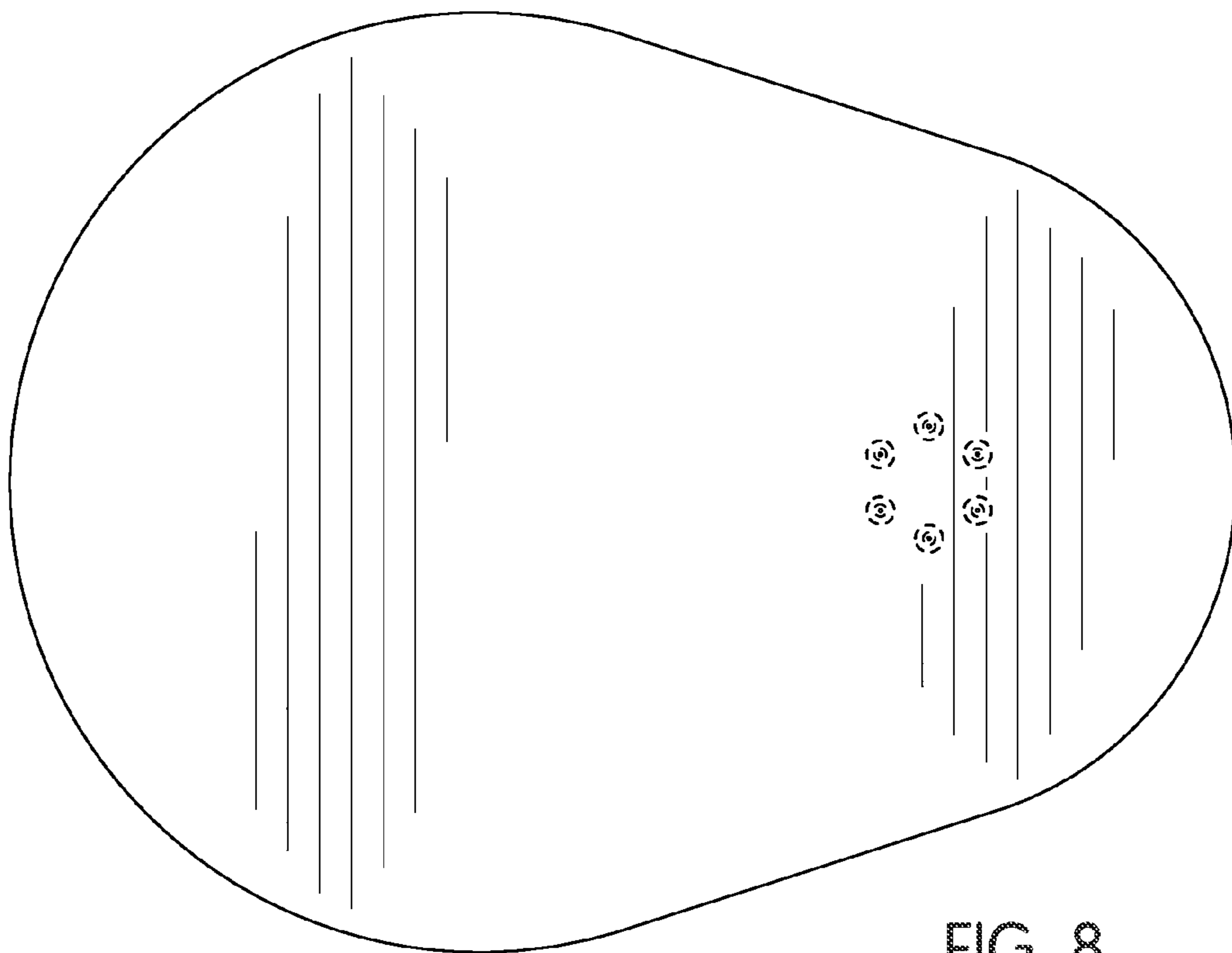


FIG. 8