



US00D619244S

(12) **United States Design Patent**
Van der Stappen

(10) **Patent No.:** **US D619,244 S**
(45) **Date of Patent:** **** Jul. 6, 2010**

(54) **AUTO-INJECTOR**

(75) Inventor: **Luc Van der Stappen**, Mohlin (CH)

(73) Assignee: **F. Hoffmann-La Roche AG**, Basel (CH)

(**) Term: **14 Years**

(21) Appl. No.: **29/337,708**

(22) Filed: **May 28, 2009**

(51) **LOC (9) Cl.** **24-02**

(52) **U.S. Cl.** **D24/113**

(58) **Field of Classification Search** D24/112–114,
D24/133, 186, 104, 130, 127; 606/181, 185;
604/232, 187, 158, 164.08, 192, 263, 163,
604/181, 184, 198, 227

See application file for complete search history.

(56) **References Cited**

U.S. PATENT DOCUMENTS

D479,600	S	*	9/2003	Bainton	D24/114
D479,601	S	*	9/2003	Tyce	D24/114
D479,602	S	*	9/2003	Bainton	D24/114
D479,603	S	*	9/2003	Tyce	D24/114
D479,748	S	*	9/2003	Tyce	D24/114
D499,485	S	*	12/2004	Tyce	D24/114
D501,253	S	*	1/2005	Bainton	D24/114
D523,964	S	*	6/2006	Phelan et al.	D24/223
D540,465	S	*	4/2007	Bainton	D24/114
D542,914	S	*	5/2007	Tanghoj	D24/112

D550,363	S	*	9/2007	Hannant et al.	D24/186
7,427,275	B2	*	9/2008	DeRuntz et al.	604/187
D599,009	S	*	8/2009	Tyce	D24/113

* cited by examiner

Primary Examiner—T. Chase Nelson

Assistant Examiner—David G Muller

(74) *Attorney, Agent, or Firm*—Levenfeld Pearlstein, LLC

(57) **CLAIM**

The ornamental design for an auto-injector, as shown and described.

DESCRIPTION

FIG. 1 is a front perspective view of an auto-injector embodying the principles of my new design;

FIG. 2 is a rear perspective view thereof;

FIG. 3 is a front view thereof;

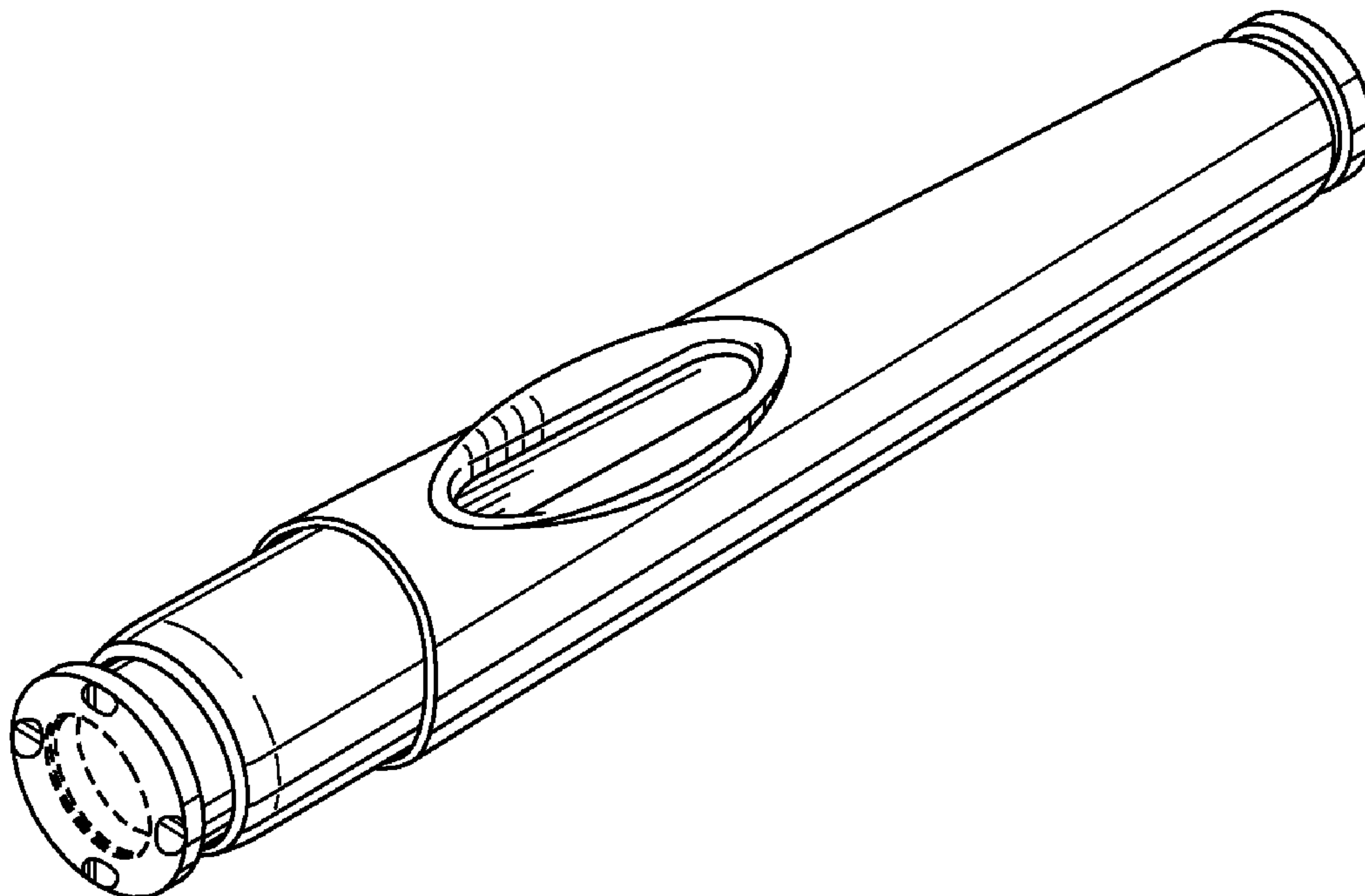
FIG. 4 is a rear view thereof.

FIG. 5 is a side view thereof, the opposite side being a mirror image thereof; and,

FIG. 6 is a top view thereof, the bottom view being a mirror image thereof.

The broken line showing of parts of the rear openings of the auto-injector is included for the purpose of illustrating use and environment and forms no part of the claimed design.

1 Claim, 1 Drawing Sheet



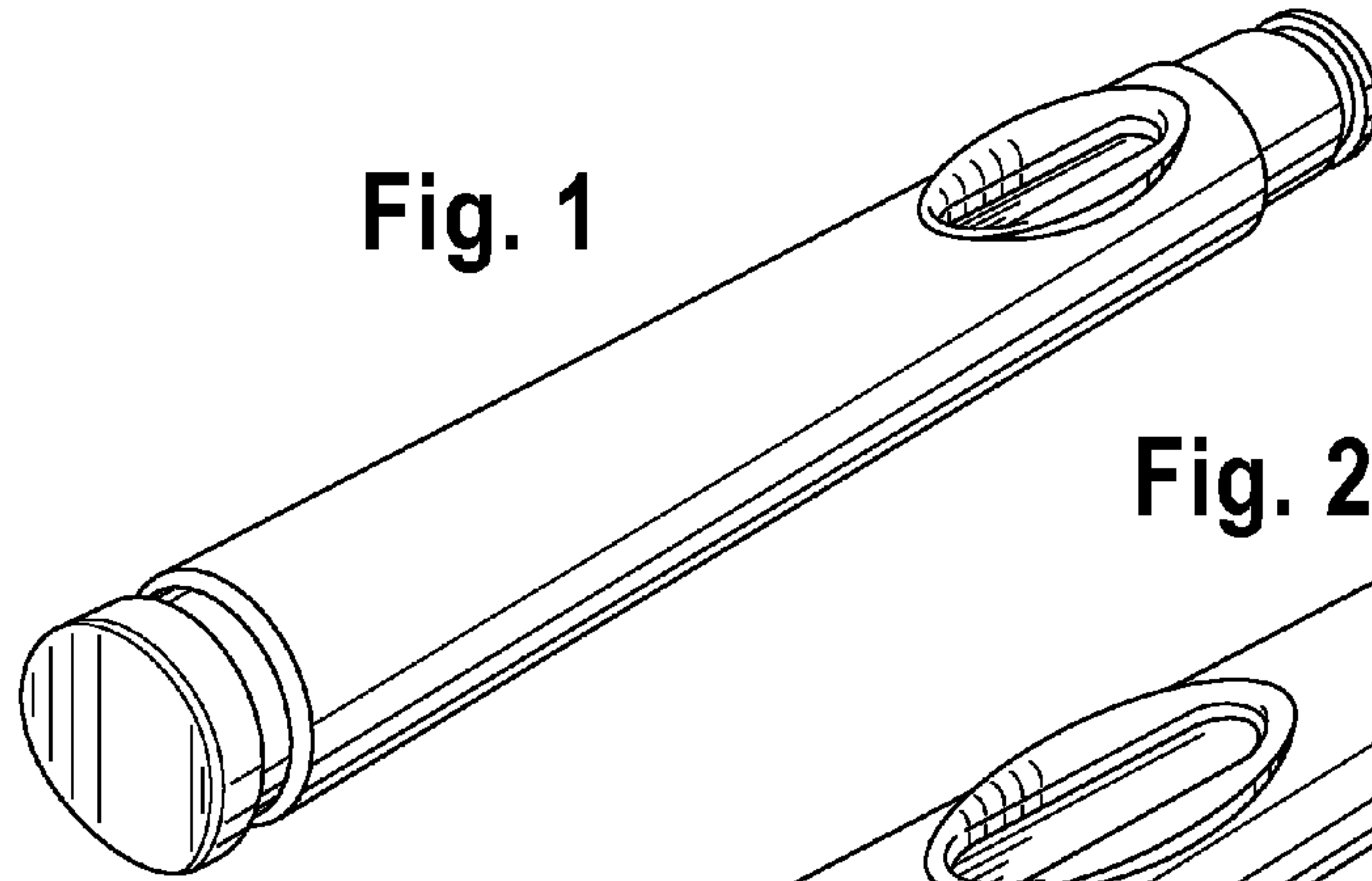


Fig. 1

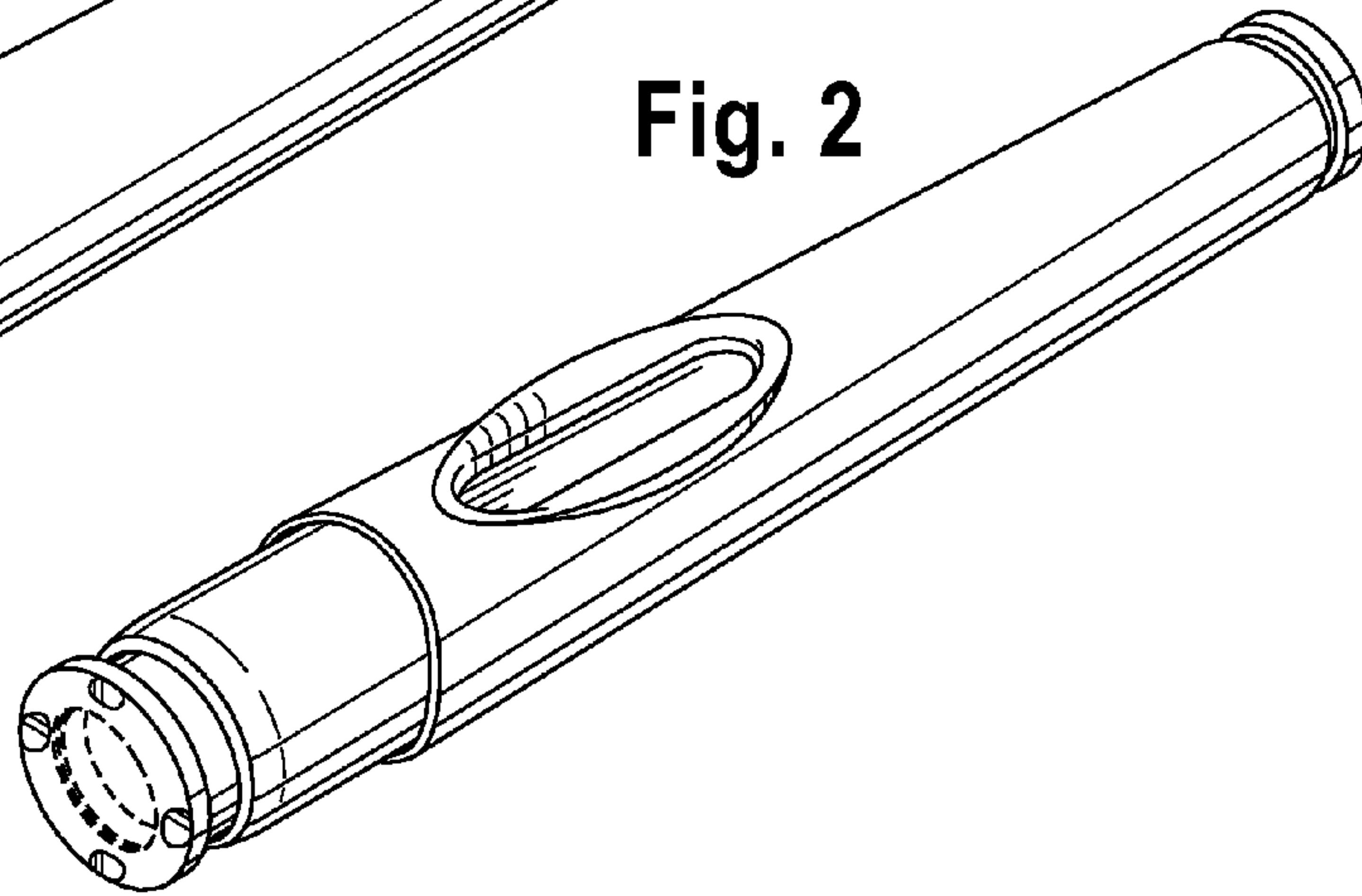


Fig. 2

Fig. 3

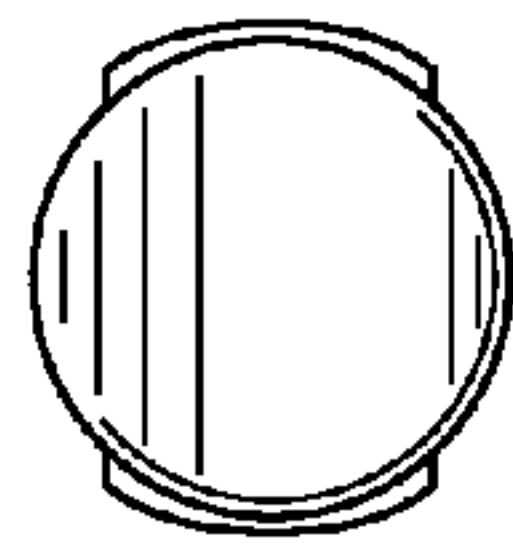


Fig. 4

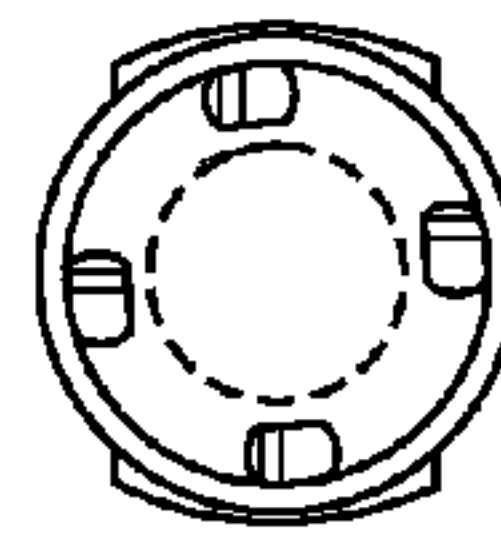


Fig. 5

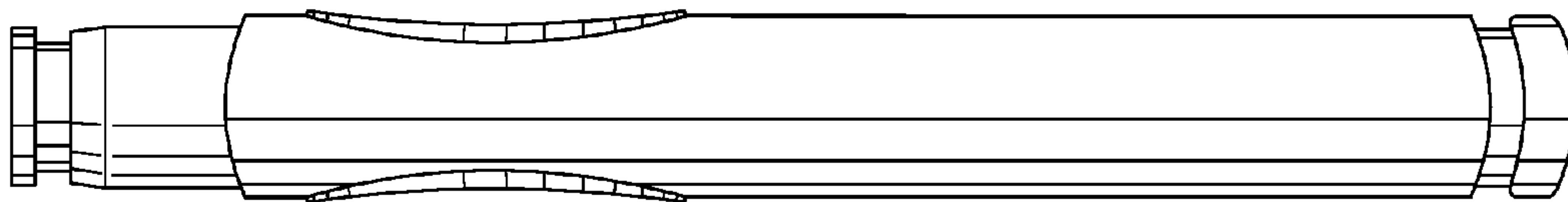
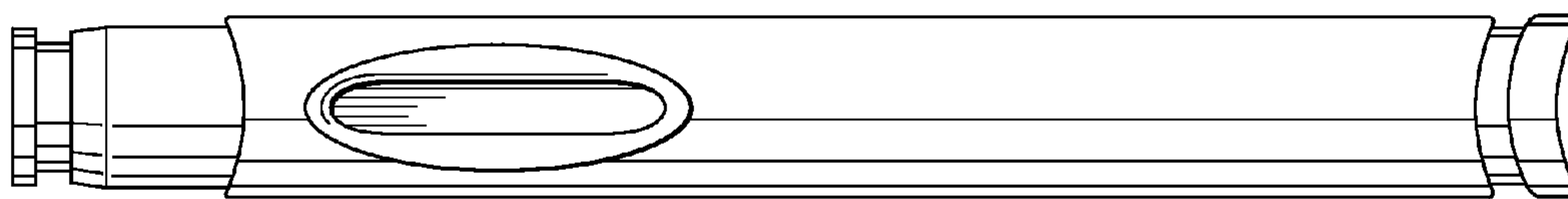


Fig. 6



UNITED STATES PATENT AND TRADEMARK OFFICE
CERTIFICATE OF CORRECTION

PATENT NO. : Des. 619,244 S
APPLICATION NO. : 29/337708
DATED : July 6, 2010
INVENTOR(S) : Van der Stappen

Page 1 of 1

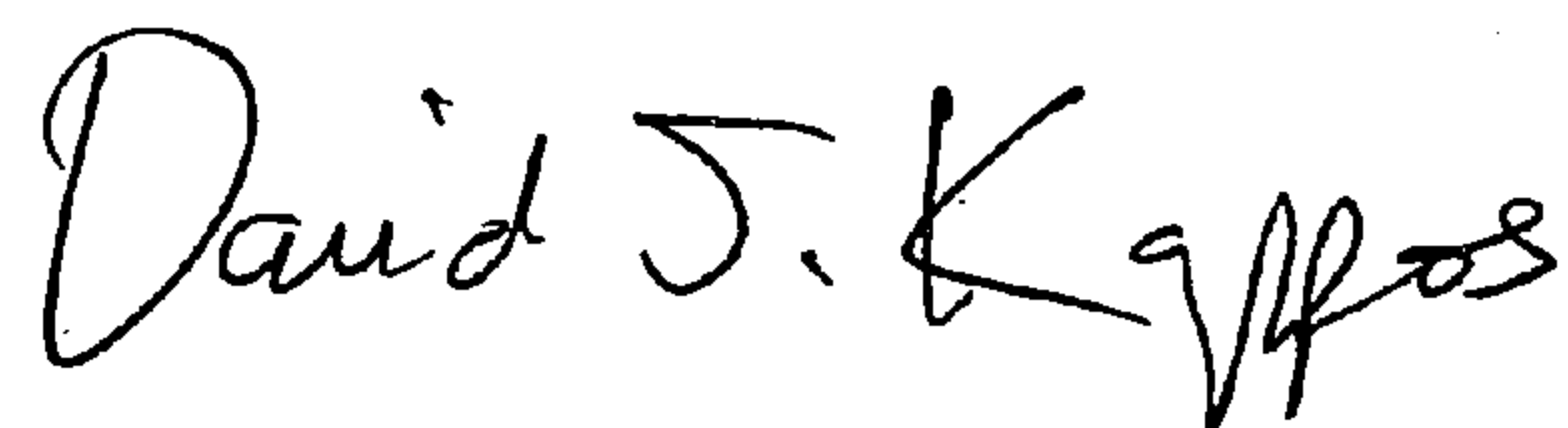
It is certified that error appears in the above-identified patent and that said Letters Patent is hereby corrected as shown below:

Title page item 30 insert

--The patent claims priority to Swiss Patent Application No. 135 599, filed Nov. 28, 2008.--

Signed and Sealed this

Twenty-fourth Day of August, 2010

A handwritten signature in black ink that reads "David J. Kappos". The signature is written in a cursive style with a large initial 'D' and 'K'.

David J. Kappos
Director of the United States Patent and Trademark Office