



US00D619243S

(12) **United States Design Patent**
Petersen et al.

(10) **Patent No.:** **US D619,243 S**

(45) **Date of Patent:** **** Jul. 6, 2010**

(54) **MEDICAL INSTRUMENT**

D594,119 S * 6/2009 Berberich et al. D24/133

(75) Inventors: **Wolf Petersen**, Berlin (DE); **Michael Sauer**, Tuttlingen (DE); **Thore Zantop**, Muenster (DE); **Sabine Summerer**, Tuttlingen (DE)

* cited by examiner

Primary Examiner—Lisa P Lichtenstein
(74) *Attorney, Agent, or Firm*—St. Onge Steward Johnston & Reens LLC

(73) Assignee: **Karl Storz GmbH & Co. KG** (DE)

(57) **CLAIM**

(**) Term: **14 Years**

The ornamental design for a medical instrument, as shown and described.

(21) Appl. No.: **29/328,881**

(22) Filed: **Dec. 3, 2008**

DESCRIPTION

(30) **Foreign Application Priority Data**

Jun. 4, 2008 (EM) 000946769

FIG. 1 is a front isometric view of a medical instrument in accordance with the new design;
FIG. 2 is a right side view thereof;
FIG. 3 is a top view thereof;
FIG. 4 is a left side view thereof;
FIG. 5 is a bottom view thereof;
FIG. 6 is a front view thereof; and,
FIG. 7 is a rear view thereof.

(51) **LOC (9) Cl.** **24-02**

(52) **U.S. Cl.** **D24/108**

(58) **Field of Classification Search** D24/108,
D24/137, 147, 148, 133; 600/119, 114, 104;
606/1, 170, 176

See application file for complete search history.

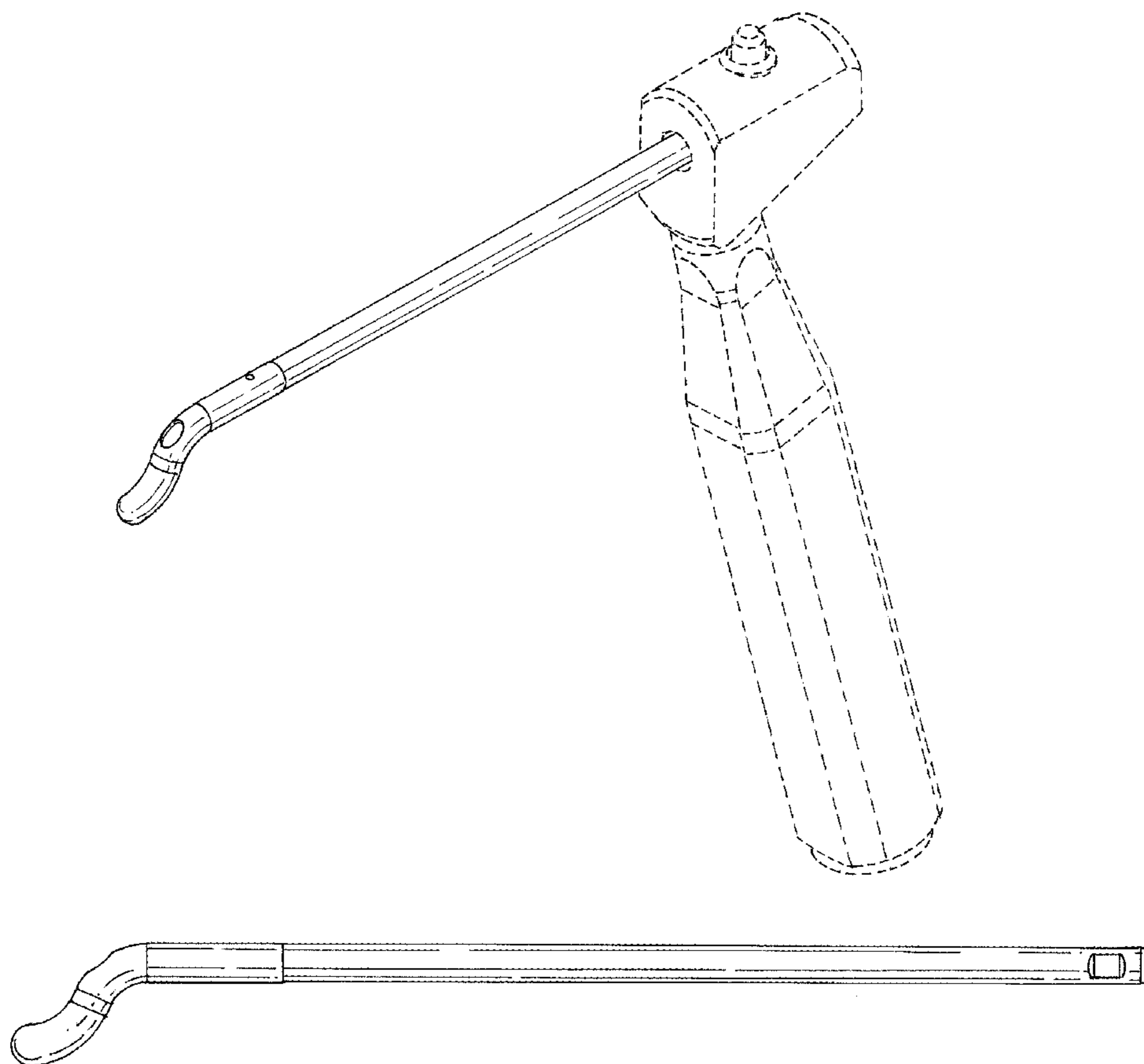
The broken line showing of portions of a medical instrument is included for the purpose of illustrating environmental structure and forms no part of the claimed design.

(56) **References Cited**

U.S. PATENT DOCUMENTS

D478,165 S * 8/2003 Hechel D24/112

1 Claim, 3 Drawing Sheets



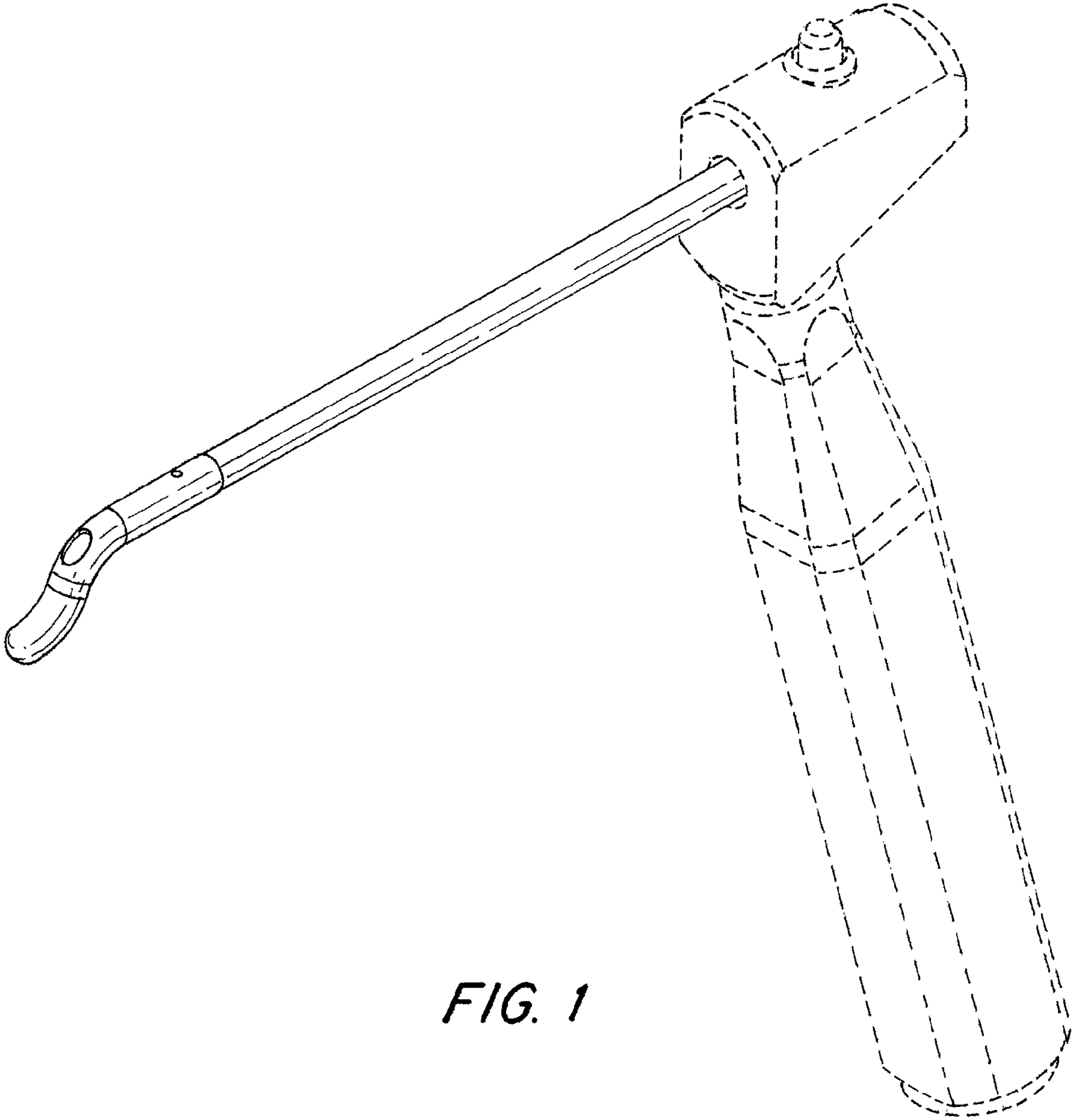


FIG. 1

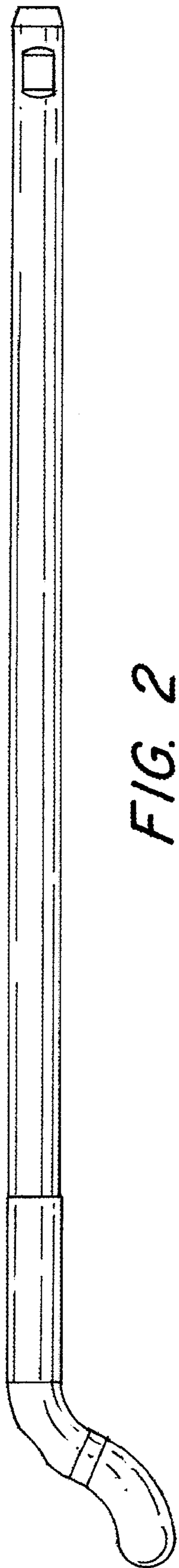


FIG. 2

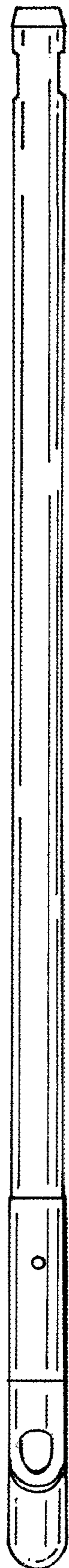


FIG. 3

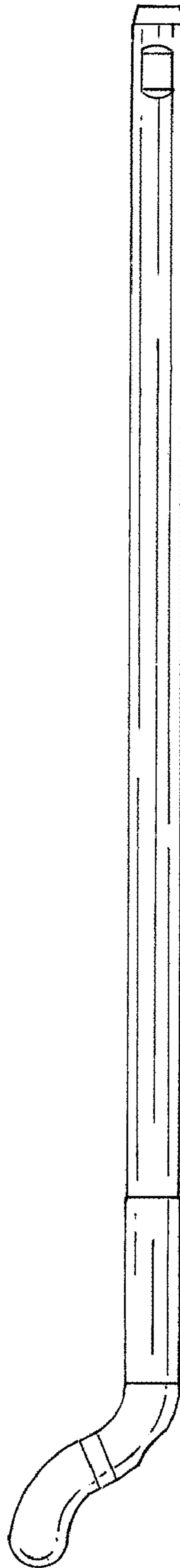


FIG. 4



FIG. 5

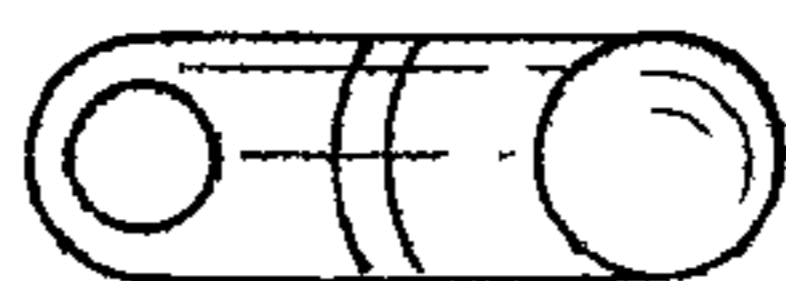


FIG. 6



FIG. 7