



US00D619242S

(12) **United States Design Patent**
Zinn et al.

(10) **Patent No.:** **US D619,242 S**
(45) **Date of Patent:** **** Jul. 6, 2010**

(54) **VENOUS ACCESS PORT ASSEMBLY**

(75) Inventors: **Kenneth M. Zinn**, Westport, CT (US);
Mark S. Fisher, Sellersville, PA (US)

(73) Assignees: **Medical Components, Inc.**,
Harleysville, PA (US); **Innovative**
Medical Devices, LLC, Westport, CT
(US)

(**) Term: **14 Years**

(21) Appl. No.: **29/318,743**

(22) Filed: **May 27, 2008**

(51) **LOC (9) Cl.** **24-02**

(52) **U.S. Cl.** **D24/108**

(58) **Field of Classification Search** D24/107,
D24/108, 111, 112, 113, 127, 129, 130;
137/625.41; 600/424; 604/93.01, 164.01,
604/167.05, 175, 246, 247, 248, 257, 284,
604/288.02, 288.04, 407, 502, 523

See application file for complete search history.

(56) **References Cited**

U.S. PATENT DOCUMENTS

D263,335	S *	3/1982	Bujan	D24/129
4,692,146	A *	9/1987	Hilger	604/288.01
4,892,518	A	1/1990	Cupp et al.		
5,084,015	A	1/1992	Moriuchi		
5,108,375	A *	4/1992	Harrison et al.	604/167.01
5,167,638	A *	12/1992	Felix et al.	604/175
D337,637	S *	7/1993	Tucker	D24/111
5,360,407	A	11/1994	Leonard		
5,399,168	A	3/1995	Waddsworth, Jr. et al.		
5,562,617	A	10/1996	Finch, Jr. et al.		
5,632,729	A *	5/1997	Cai et al.	604/288.01
5,704,915	A *	1/1998	Melsky et al.	604/175
5,743,873	A	4/1998	Cai et al.		
5,792,104	A	8/1998	Speckman et al.		
5,792,123	A *	8/1998	Ensminger	604/272
5,833,654	A	11/1998	Powers et al.		
6,022,335	A *	2/2000	Ramadan	604/93.01
6,113,572	A *	9/2000	Gailey et al.	604/93.01

6,190,352	B1	2/2001	Haarala et al.		
6,213,973	B1	4/2001	Eliassen et al.		
D445,175	S *	7/2001	Bertheas	D24/108
6,527,754	B1	3/2003	Tallarida et al.		
6,562,023	B1	5/2003	Marr et al.		
D546,440	S	7/2007	Burnside		
D562,443	S *	2/2008	Zinn et al.	D24/108
D574,950	S *	8/2008	Zawacki et al.	D24/108

(Continued)

Primary Examiner—Elizabeth A Albert

Assistant Examiner—Karen E Eldridge Powers

(74) *Attorney, Agent, or Firm*—Blank Rome LLP

(57) **CLAIM**

The ornamental design for a venous access port assembly, as shown and described.

DESCRIPTION

FIG. 1 is an isometric view of a venous access port assembly according to the present invention, taken near the distal end thereof.

FIG. 2 is an isometric view of the venous access port assembly shown in FIG. 1, taken near the proximal end thereof.

FIG. 3 is a distal end view of the venous access port assembly shown in FIG. 1.

FIG. 4 is a proximal end view of the venous access port assembly shown in FIG. 1.

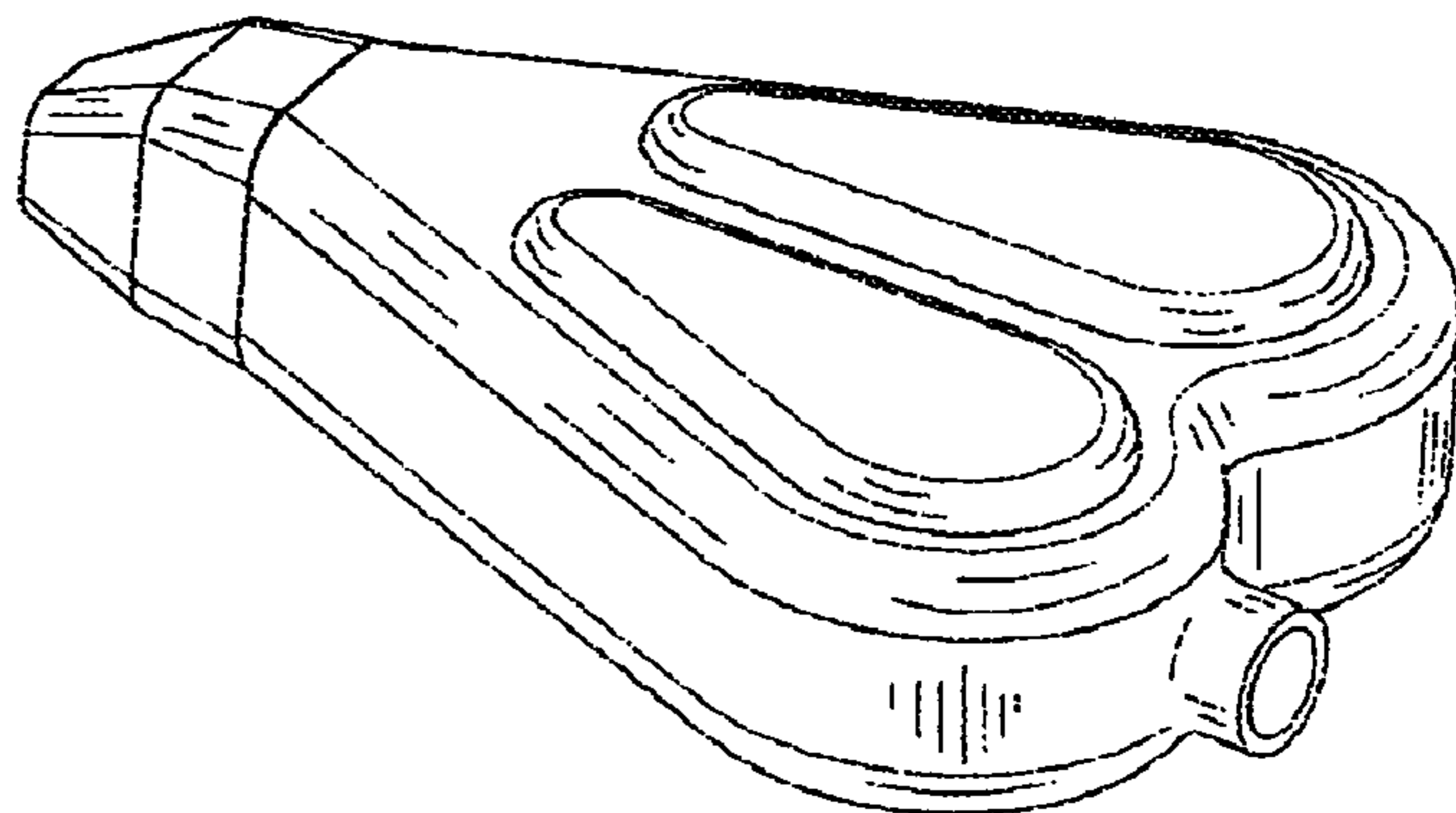
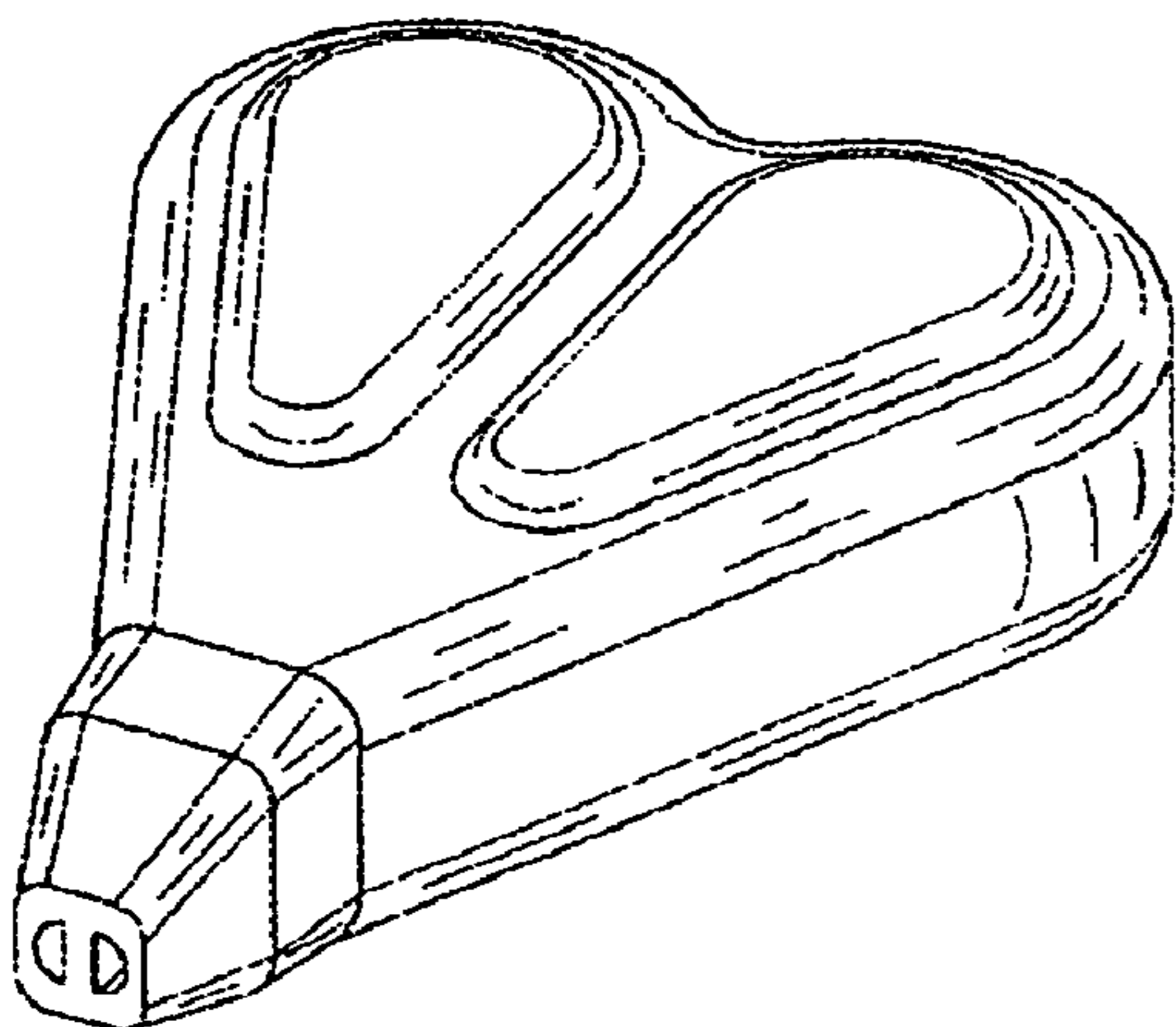
FIG. 5 is a bottom view of the venous access port assembly shown in FIG. 1.

FIG. 6 is a top view of the venous access port assembly shown in FIG. 1.

FIG. 7 is a right side view of the venous access port assembly shown in FIG. 1; and,

FIG. 8 is a left side view of the venous access port assembly shown in FIG. 1.

1 Claim, 2 Drawing Sheets



US D619,242 S

Page 2

U.S. PATENT DOCUMENTS

D578,203 S *	10/2008	Bizup	D24/108	2006/0116648 A1	6/2006	Hamatake	
D590,499 S *	4/2009	Chesnin	D24/129	2007/0078391 A1	4/2007	Wortley et al.	
7,658,196 B2 *	2/2010	Ferreri et al.	128/899	2007/0078416 A1 *	4/2007	Eliassen	604/288.02
2003/0181878 A1 *	9/2003	Tallarida et al.	604/288.04	2007/0219510 A1 *	9/2007	Zinn et al.	604/288.01
2005/0171502 A1	8/2005	Daly et al.		2008/0140025 A1	6/2008	Sheetz et al.	
2006/0100592 A1	5/2006	Eliassen		2009/0156928 A1 *	6/2009	Evans et al.	600/424
				2009/0204072 A1 *	8/2009	Amin et al.	604/116

* cited by examiner

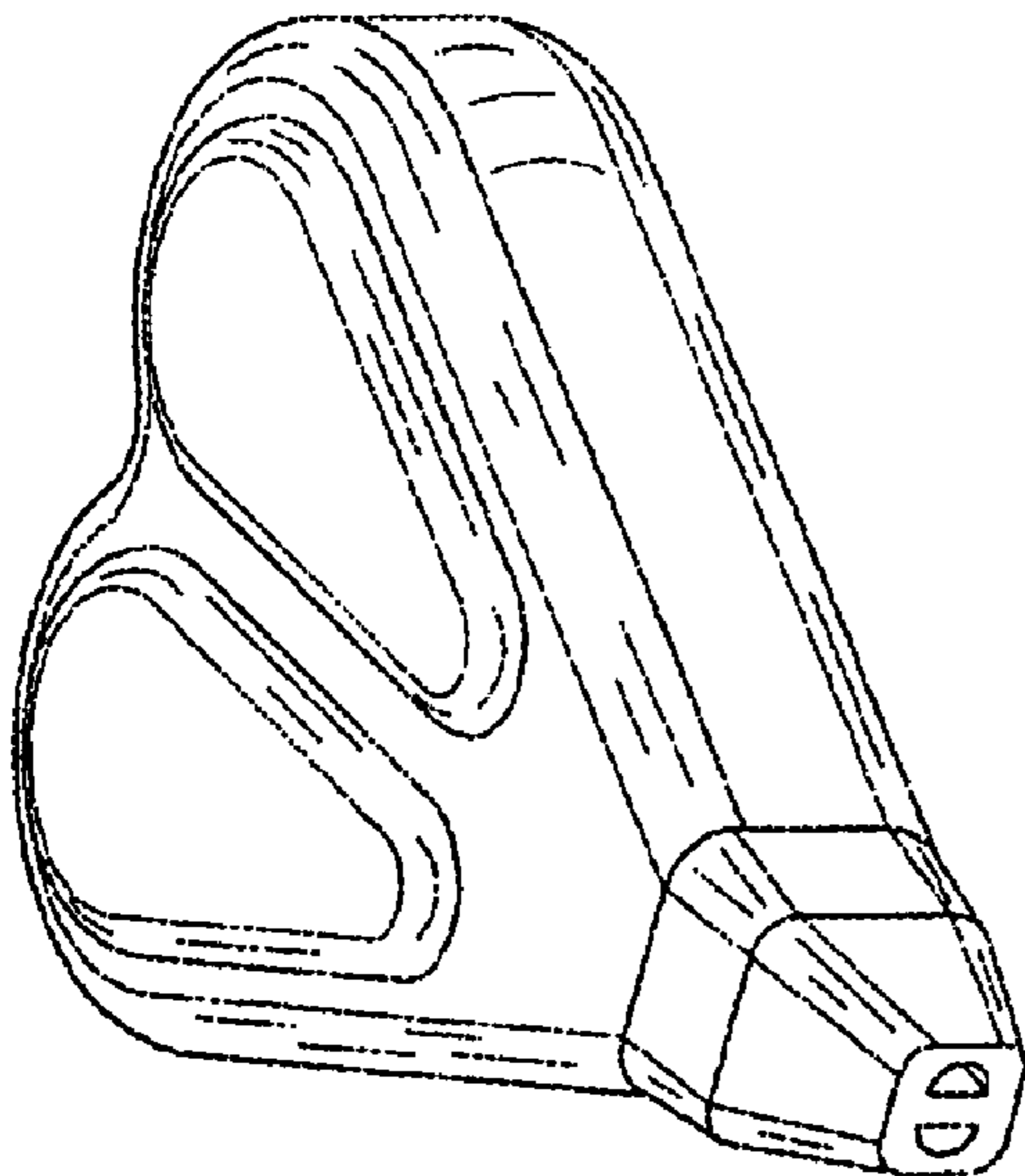


Fig. 1

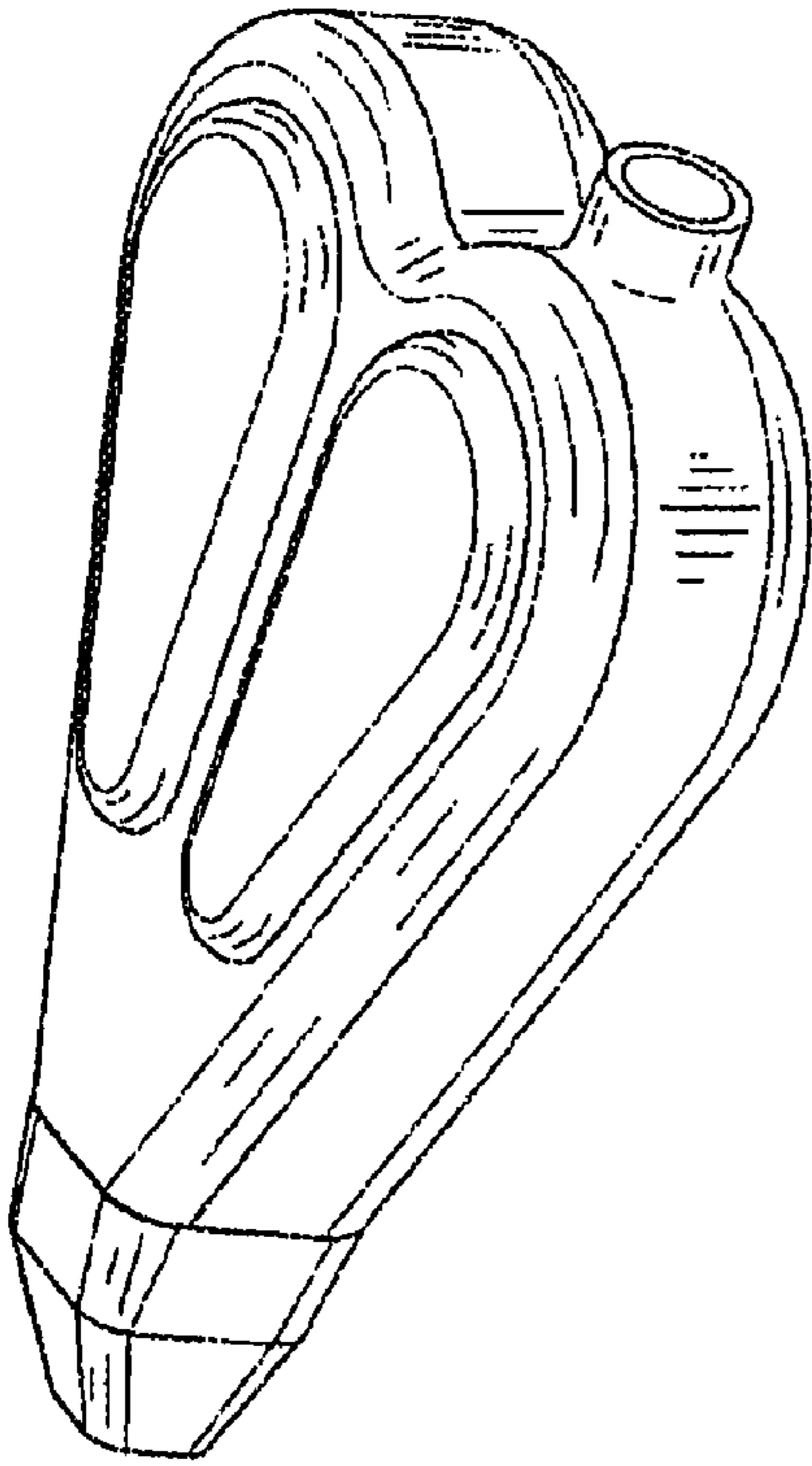


Fig. 2

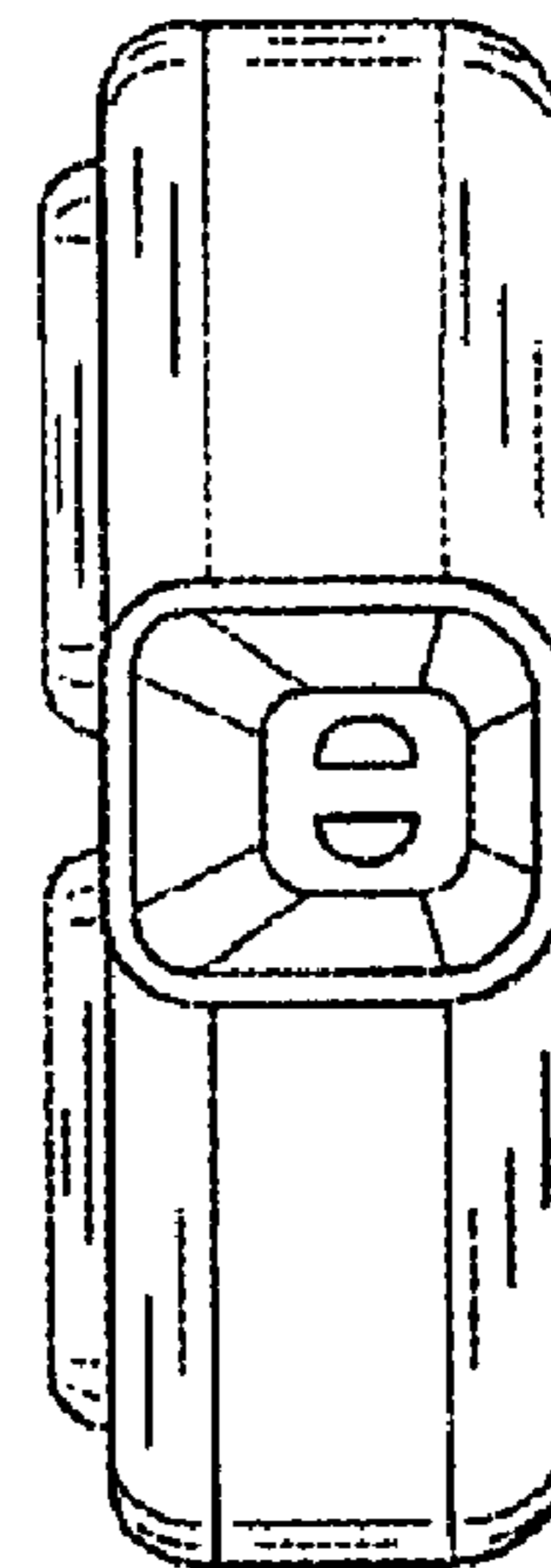


Fig. 3

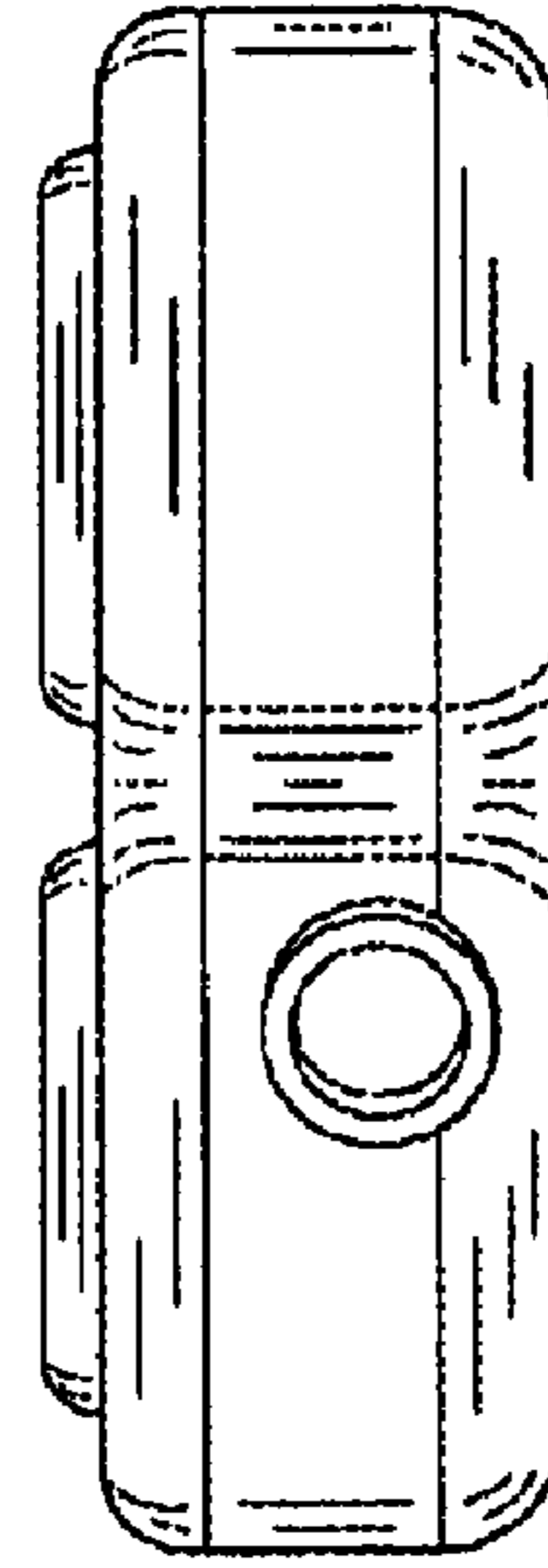


Fig. 4

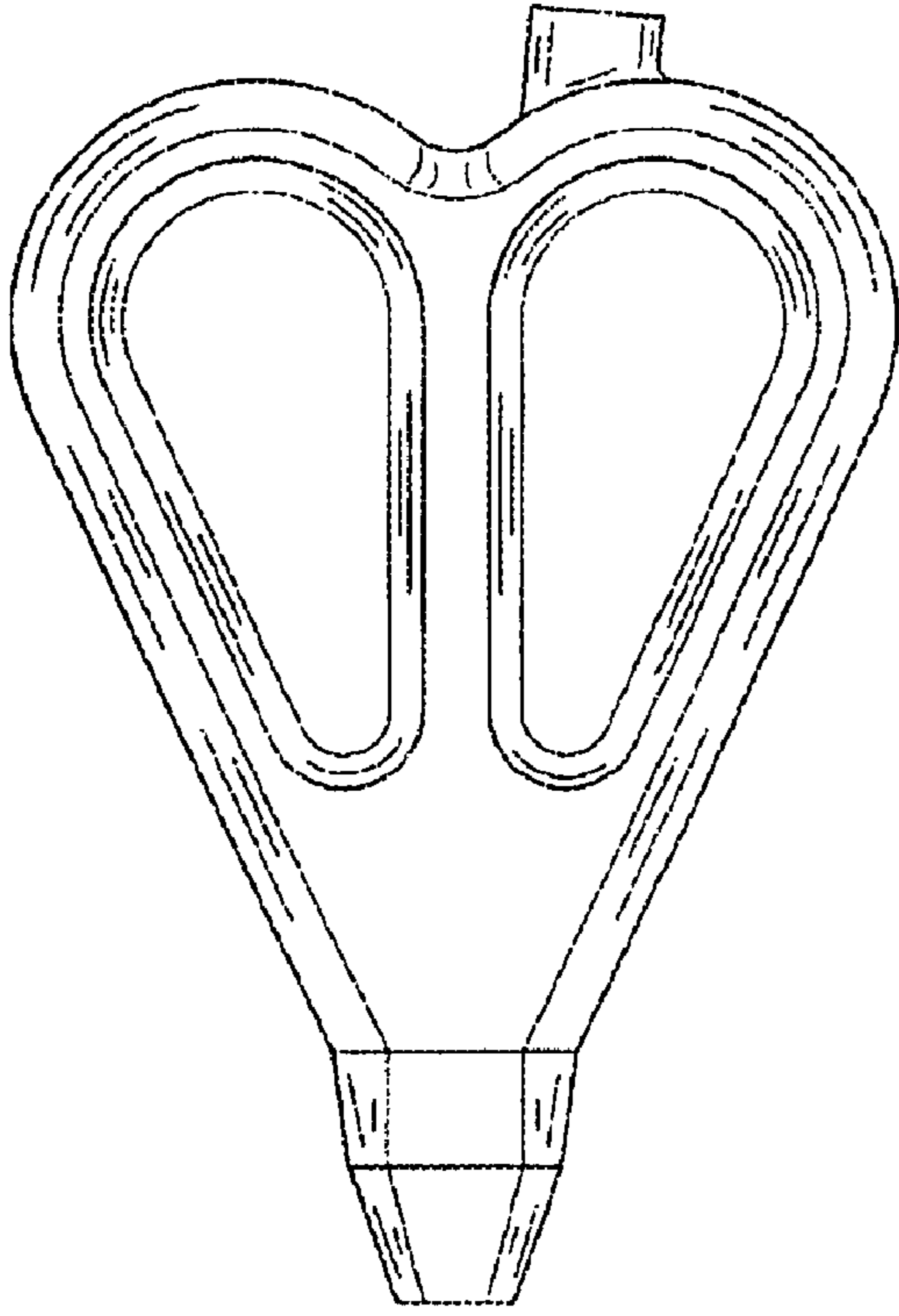


Fig. 6

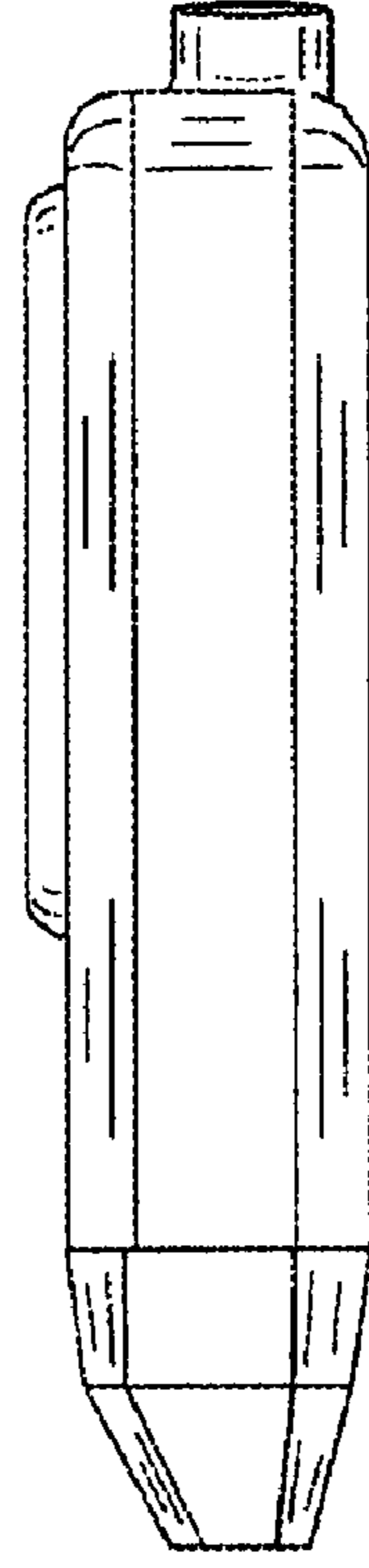


Fig. 8

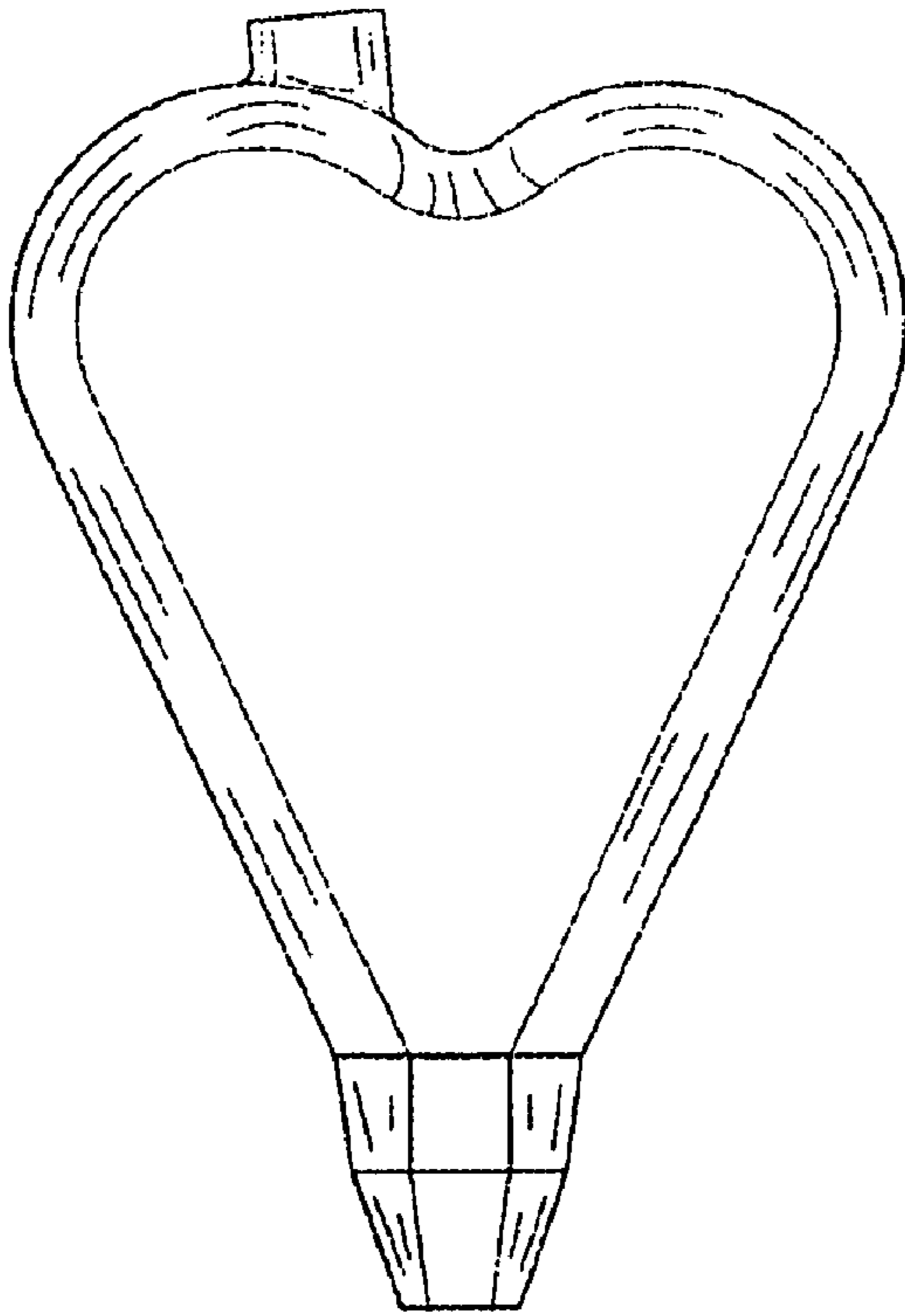


Fig. 5

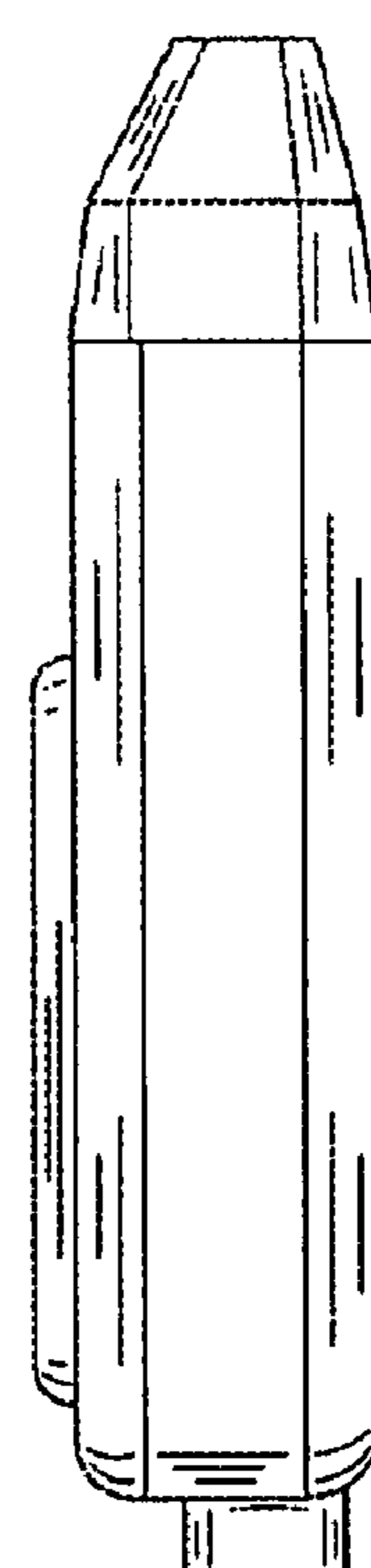


Fig. 7

UNITED STATES PATENT AND TRADEMARK OFFICE
CERTIFICATE OF CORRECTION

PATENT NO. : Des. 619,242 S
APPLICATION NO. : 29/318743
DATED : July 6, 2010
INVENTOR(S) : Kenneth M. Zinn and Mark S. Fisher

Page 1 of 1

It is certified that error appears in the above-identified patent and that said Letters Patent is hereby corrected as shown below:

Title page, Item (73), Assignees,
Delete "Westort, CT" and insert -- Westport, CT --

Signed and Sealed this

Twenty-eighth Day of September, 2010

A handwritten signature in black ink that reads "David J. Kappos". The signature is written in a cursive, flowing style.

David J. Kappos
Director of the United States Patent and Trademark Office