



US00D619241S

(12) **United States Design Patent**
Olsson

(10) **Patent No.:** **US D619,241 S**
(45) **Date of Patent:** **** Jul. 6, 2010**

(54) **DIALYSIS MACHINE AND DISPLAY**

(75) Inventor: **Håkan Olsson**, Asmundtorp (SE)

(73) Assignee: **Gambro Lundia AB** (SE)

(**) Term: **14 Years**

(21) Appl. No.: **29/347,423**

(22) Filed: **Dec. 30, 2009**

Related U.S. Application Data

(62) Division of application No. 29/290,543, filed on Dec. 14, 2007, now Pat. No. Des. 611,137.

(30) **Foreign Application Priority Data**

Jun. 19, 2007 (EM) 00747811

(51) **LOC (9) Cl.** **24-01**

(52) **U.S. Cl.** **D24/107; D24/169**

(58) **Field of Classification Search** D24/107,
D24/166, 169, 186, 185, 232; 600/103, 159,
600/473, 475-476; 604/29, 34, 66, 83; 210/646,
210/645, 321.71, 321.65

See application file for complete search history.

(56) **References Cited**

U.S. PATENT DOCUMENTS

- D216,919 S 3/1970 Glassner et al.
- D276,844 S 12/1984 Eaton
- D367,534 S 2/1996 DiPerna et al.
- 5,629,871 A 5/1997 Love et al.
- 5,641,144 A 6/1997 Hendrickson et al.
- D383,842 S * 9/1997 Kenley et al. D24/169
- 5,788,851 A * 8/1998 Kenley et al. 210/646
- 5,858,239 A * 1/1999 Kenley et al. 210/646
- D406,894 S 3/1999 Menhennett et al.
- 5,919,154 A 7/1999 Toavs et al.
- 6,143,181 A * 11/2000 Falkvall et al. 210/646
- D438,952 S 3/2001 Cimino et al.
- D446,861 S 8/2001 Meziere et al.
- D459,477 S 6/2002 Stocks et al.

- D467,000 S 12/2002 Hui
- D504,516 S 4/2005 Yamazaki
- 7,171,249 B2 1/2007 Takahashi et al.
- D540,948 S * 4/2007 Meziere et al. D24/169
- D611,137 S * 3/2010 Olsson D24/107
- 2004/0064080 A1 4/2004 Cruz et al.
- 2005/0234382 A1 10/2005 Tonelli et al.
- 2007/0232890 A1 * 10/2007 Hirota 600/476

OTHER PUBLICATIONS

New Options in Home HD—AK 95S—Gambro Renal Products; International Marketing; Lund, Sweden.

Do you have multiple needs? AK 200S and AK 200 Ultra S Dialysis Systems are unique solutions—Gambro Lundia AB; Global Marketing; Lund, Sweden.

* cited by examiner

Primary Examiner—Ian Simmons

Assistant Examiner—Wan Laymon

(74) *Attorney, Agent, or Firm*—Finnegan, Henderson, Farabow, Garrett & Dunner LLP

(57) **CLAIM**

The ornamental design for a dialysis machine and display, as shown and described.

DESCRIPTION

FIG. 1 is front perspective view of a dialysis machine and display of my new design;

FIG. 2 is a front view thereof;

FIG. 3 is a rear view thereof;

FIG. 4 is a left side view thereof;

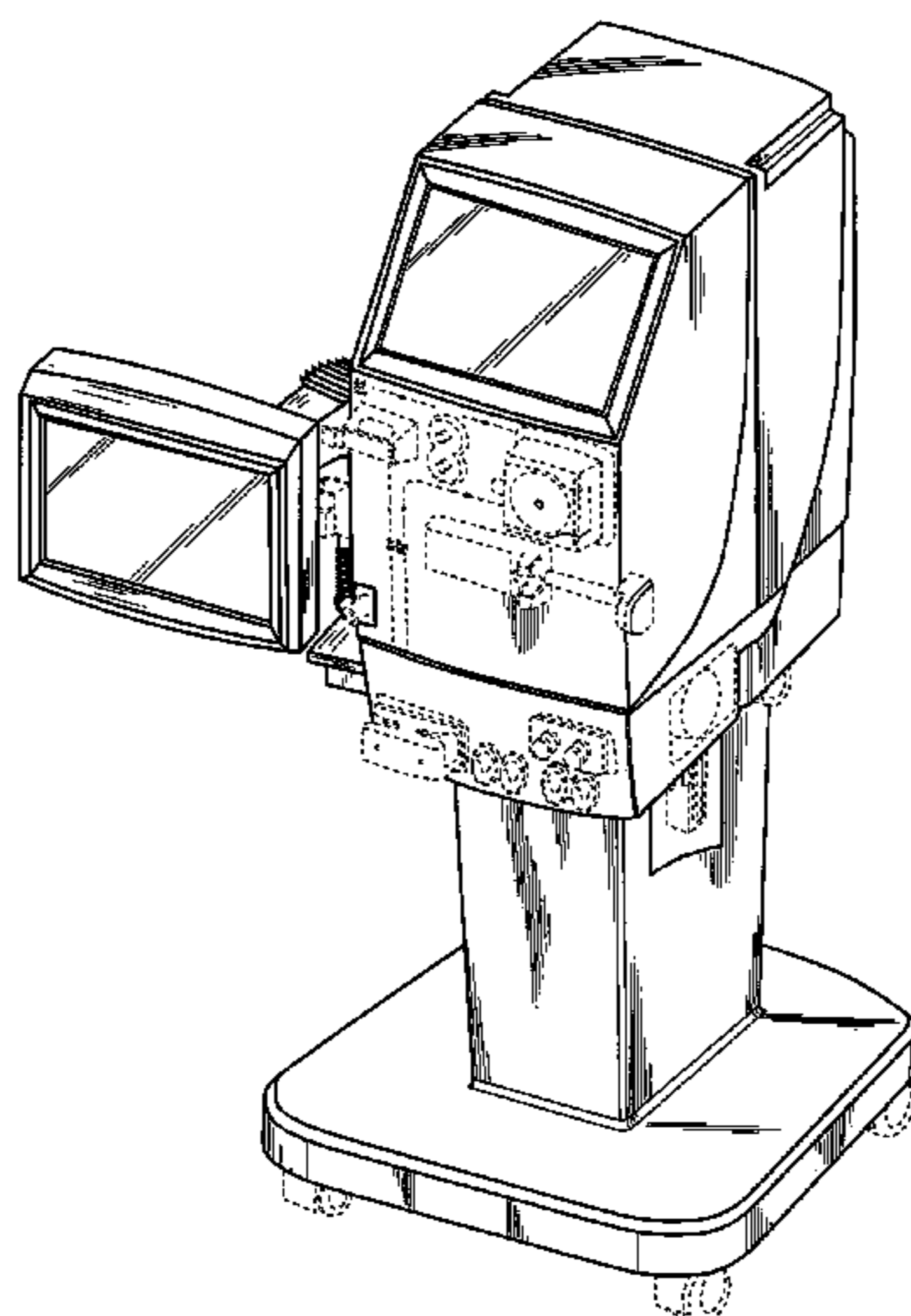
FIG. 5 is a right side view thereof;

FIG. 6 is a top plan view thereof; and,

FIG. 7 is a bottom plan view thereof.

The broken line showing portions of a dialysis machine and display are included for the purpose of illustrating environmental structure and form no part of the claimed design.

1 Claim, 6 Drawing Sheets



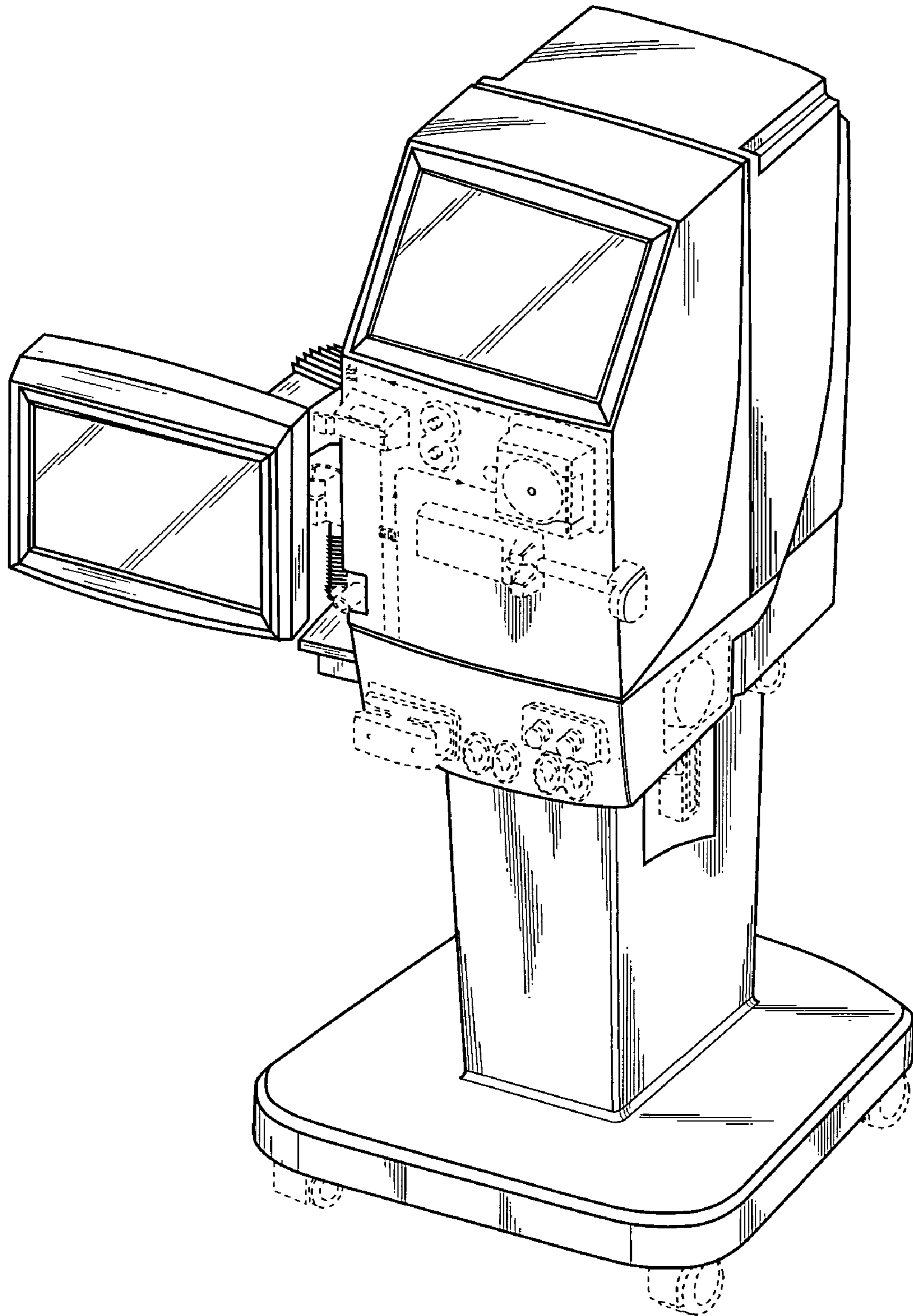


FIG. 1

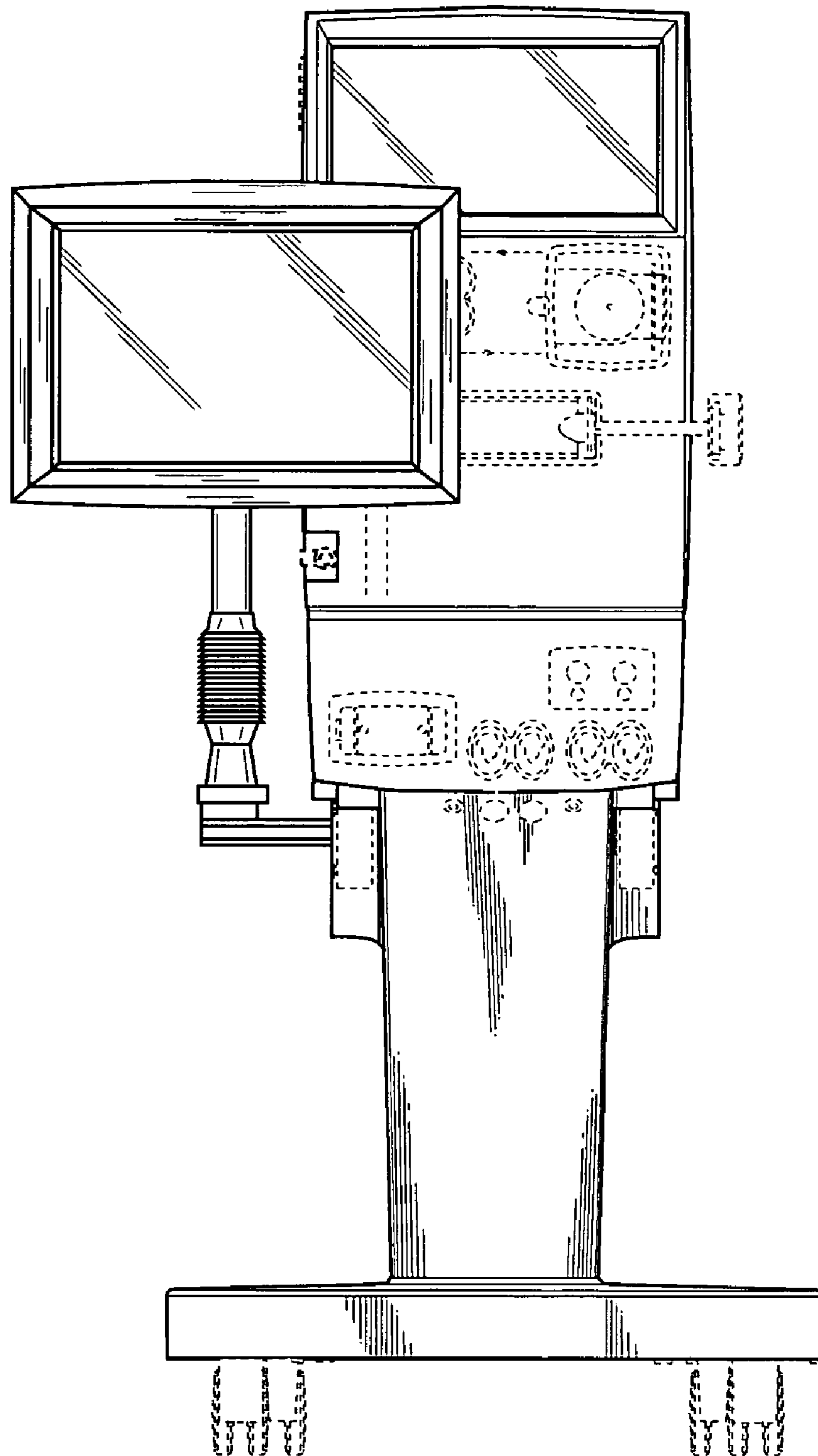


FIG. 2

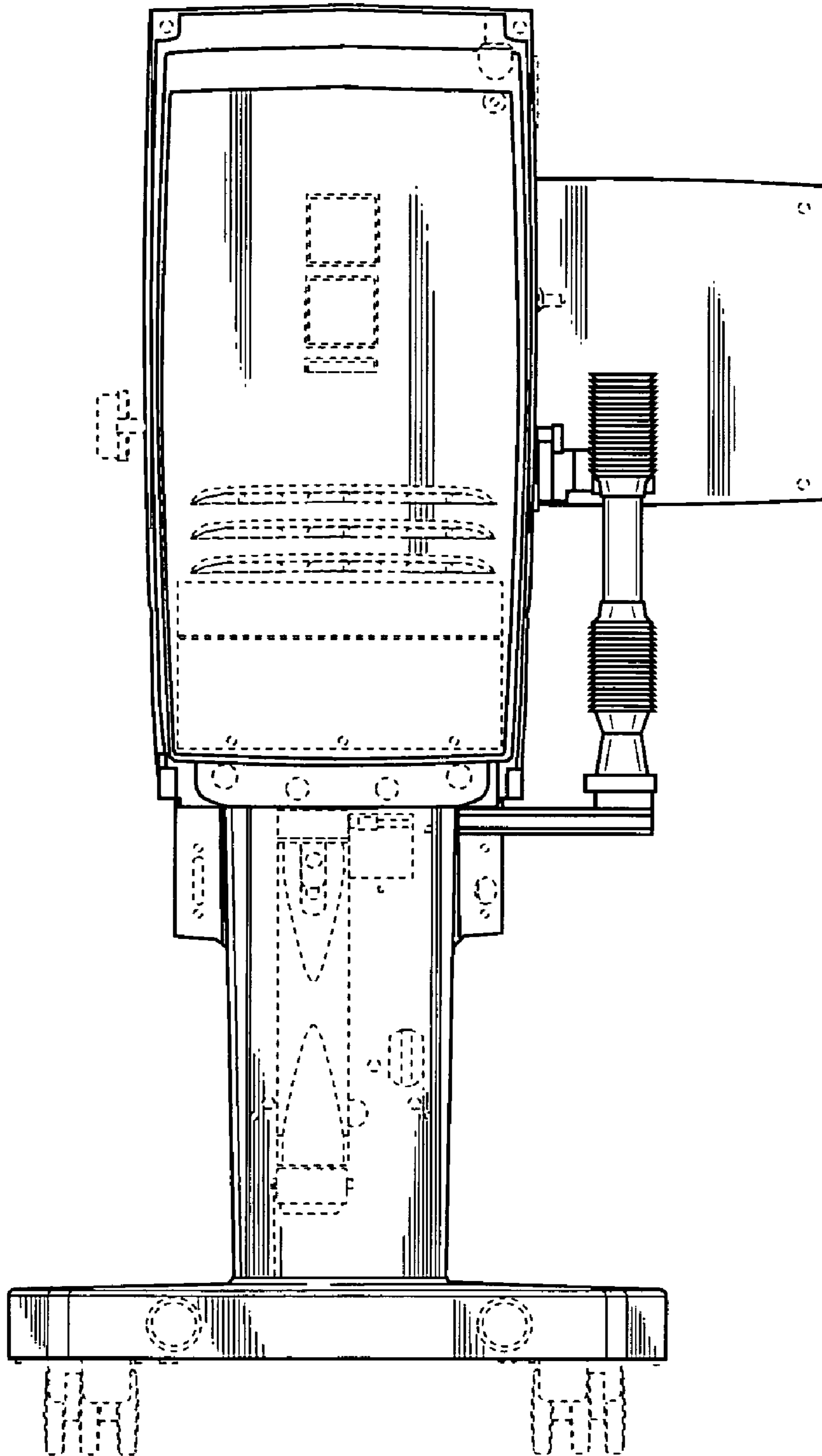


FIG. 3

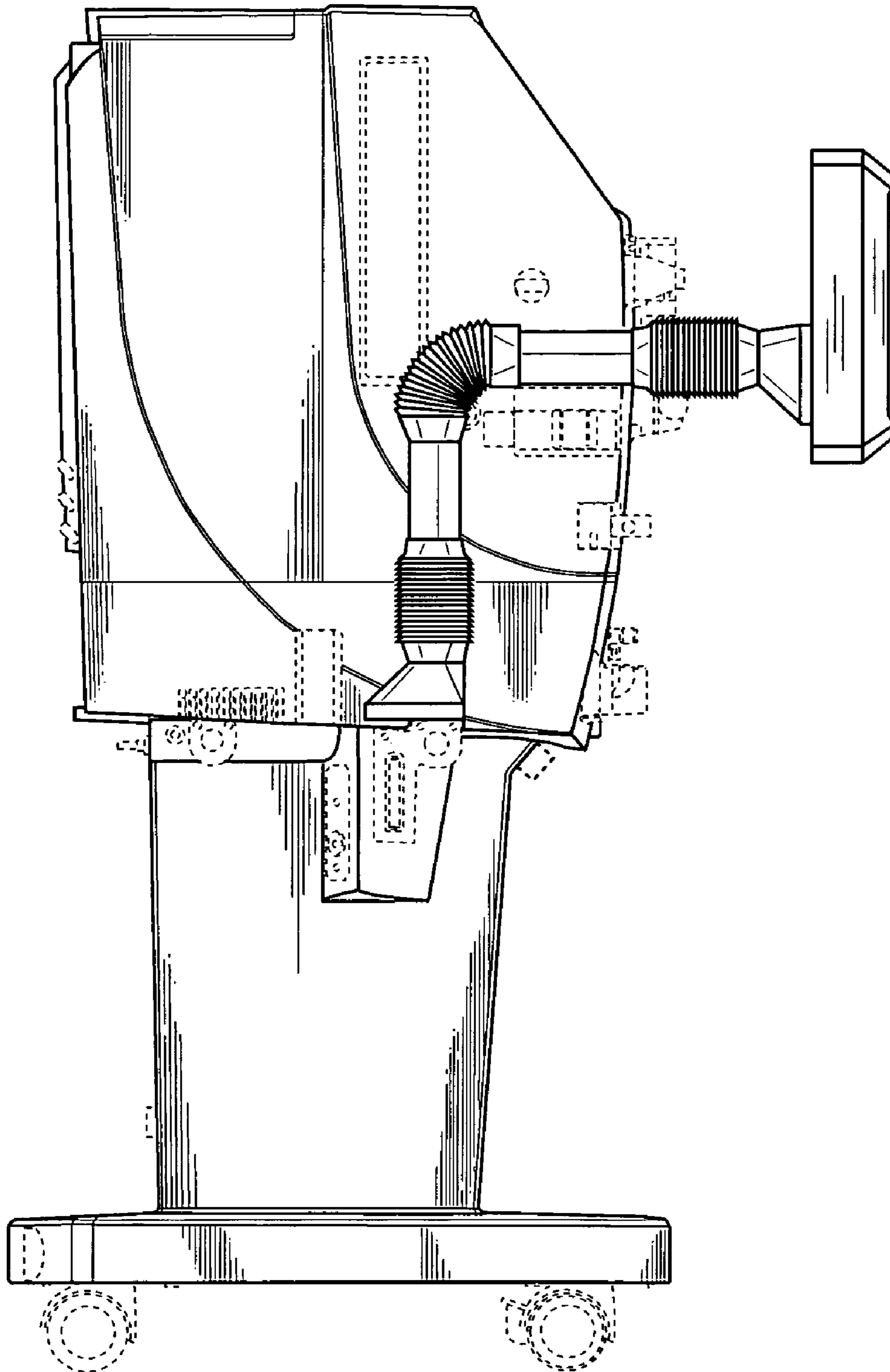


FIG. 4

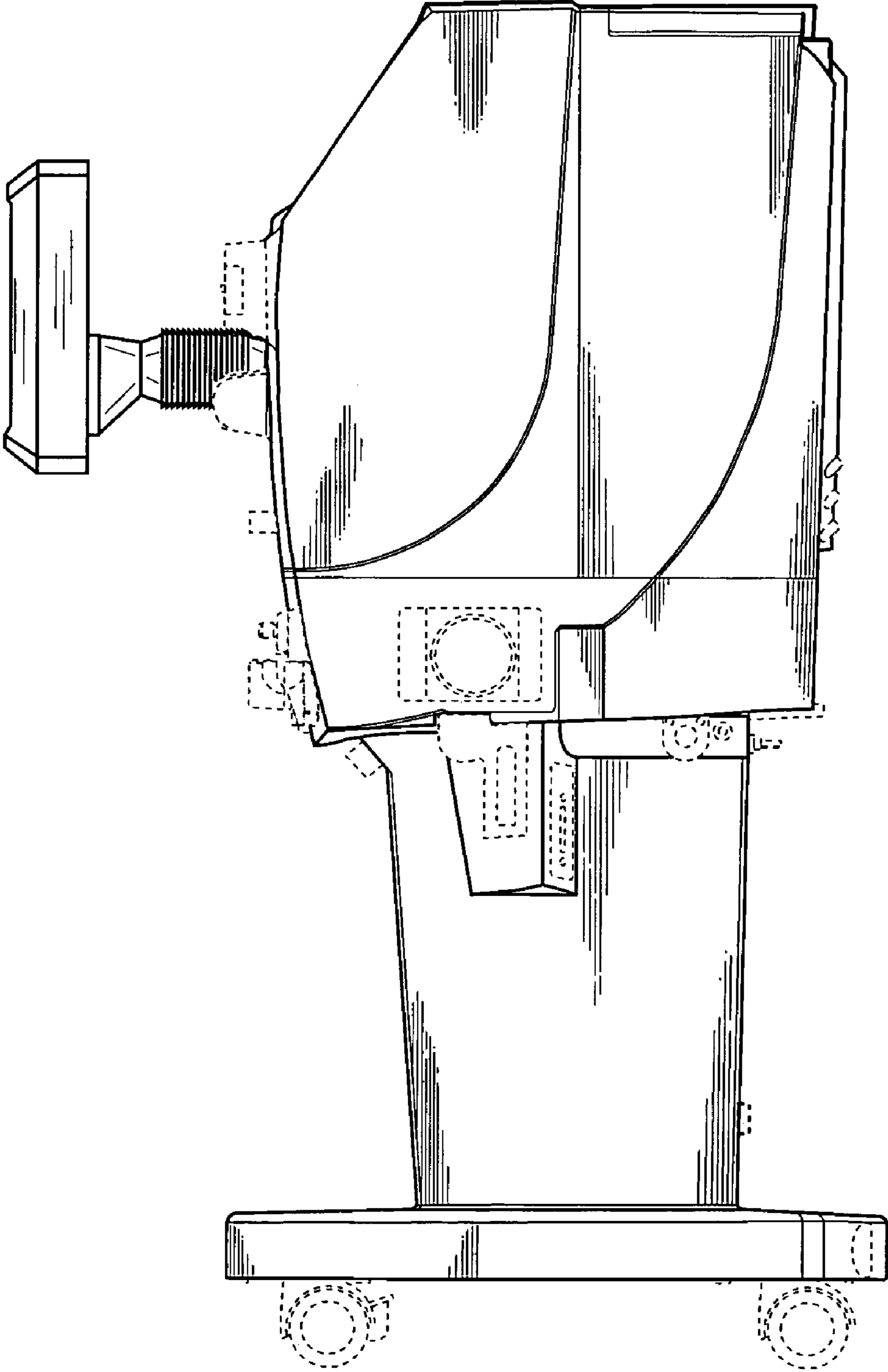


FIG. 5

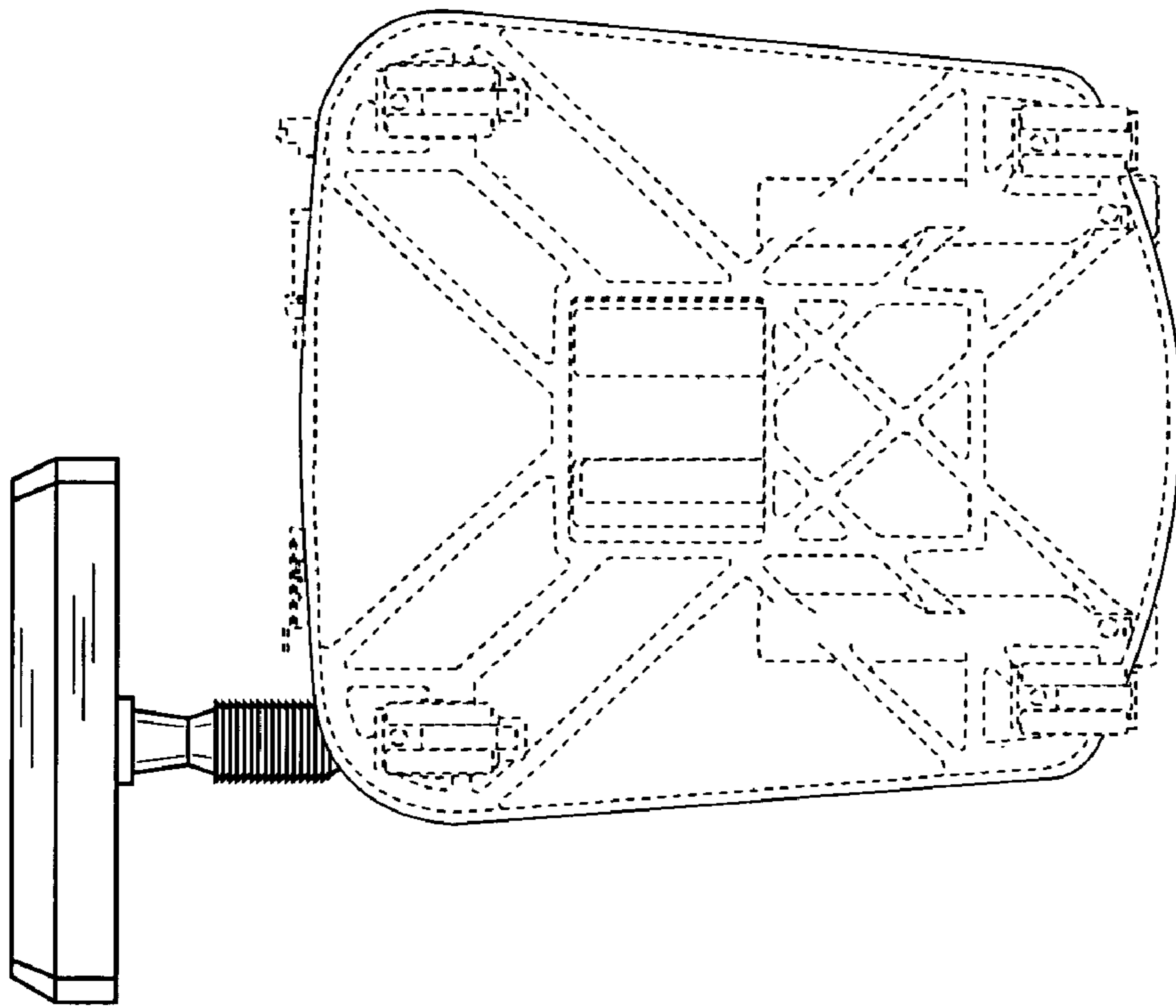


FIG. 6

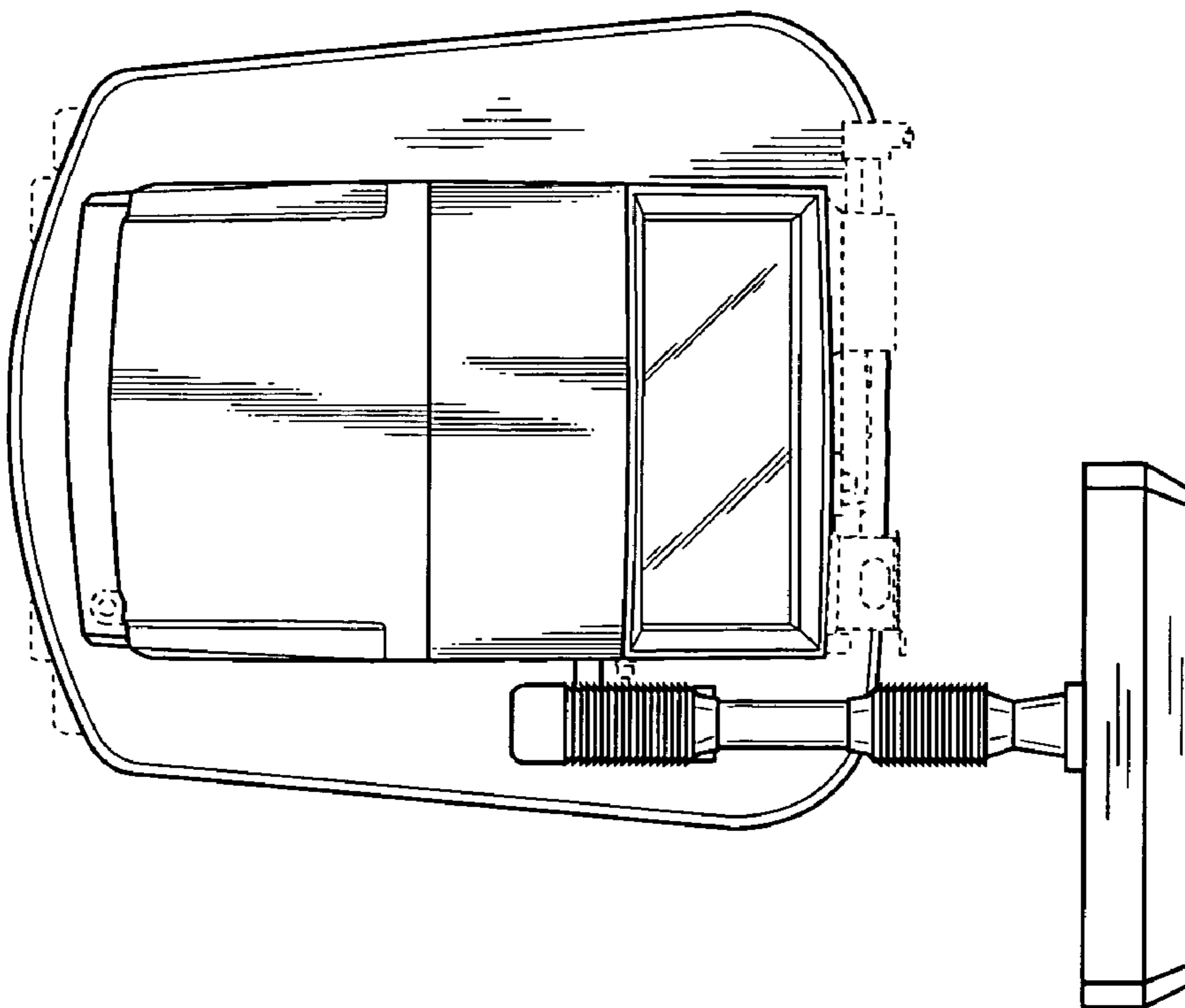


FIG. 7