



US00D619239S

(12) **United States Design Patent**
Pitance

(10) **Patent No.:** **US D619,239 S**
(45) **Date of Patent:** **** Jul. 6, 2010**

(54) **HEATING EQUIPMENT**

D574,071 S * 7/2008 Dabrowski D23/344

(75) Inventor: **Gerard Pitance**, Profondeville (BE)

(Continued)

(73) Assignee: **Concept & Forme SA**, Bois-de-Villers (BE)

FOREIGN PATENT DOCUMENTS

(**) Term: **14 Years**

EP 106832 A2 * 4/1984

(21) Appl. No.: **29/331,897**

(Continued)

(22) Filed: **Feb. 4, 2009**

Primary Examiner—Robert M Spear
Assistant Examiner—Karen Acker
(74) *Attorney, Agent, or Firm*—Reinhart Boerner Van Deuren P.C.

(30) **Foreign Application Priority Data**

Aug. 4, 2008 (EM) 000981931-0001
Aug. 4, 2008 (EM) 000981931-0002

(51) **LOC (9) Cl.** **23-03**

(52) **U.S. Cl.** **D23/405**

(58) **Field of Classification Search** D23/331,
D23/335–341, 343, 344, 346, 350, 386, 387,
D23/390, 391, 393, 396–410, 415–421, 499;
D7/402, 407, 408; 126/12, 44, 58, 92 AC,
126/144, 152 R, 215, 218, 219, 242, 243,
126/245, 500, 501, 509, 510, 544, 546, 548;
428/15, 21, 102; 431/125, 258, 268, 298,
431/302

See application file for complete search history.

(56) **References Cited**

U.S. PATENT DOCUMENTS

D31,415 S * 8/1899 Diamond D23/344
D265,851 S * 8/1982 Babbage D23/386
5,263,470 A * 11/1993 Whitehouse 126/500
D348,726 S * 7/1994 Wilson D23/344
D375,155 S * 10/1996 Radke D23/344
D411,293 S * 6/1999 Lipperini D23/342
D421,647 S * 3/2000 Heger D23/339
D450,821 S * 11/2001 Mills D23/344
D475,443 S * 6/2003 Wilson D23/339

(57) **CLAIM**

I claim the ornamental design for heating equipment, as shown and described.

DESCRIPTION

FIG. 1 is a top perspective view of a first embodiment of the heating equipment installed in its environment of use;

FIG. 2 is an alternative top perspective view of the design of FIG. 1 with part of the broken line environment removed for clarity;

FIG. 3 is a bottom perspective view of the design of FIG. 1;

FIG. 4 is a front view of the design of FIG. 1;

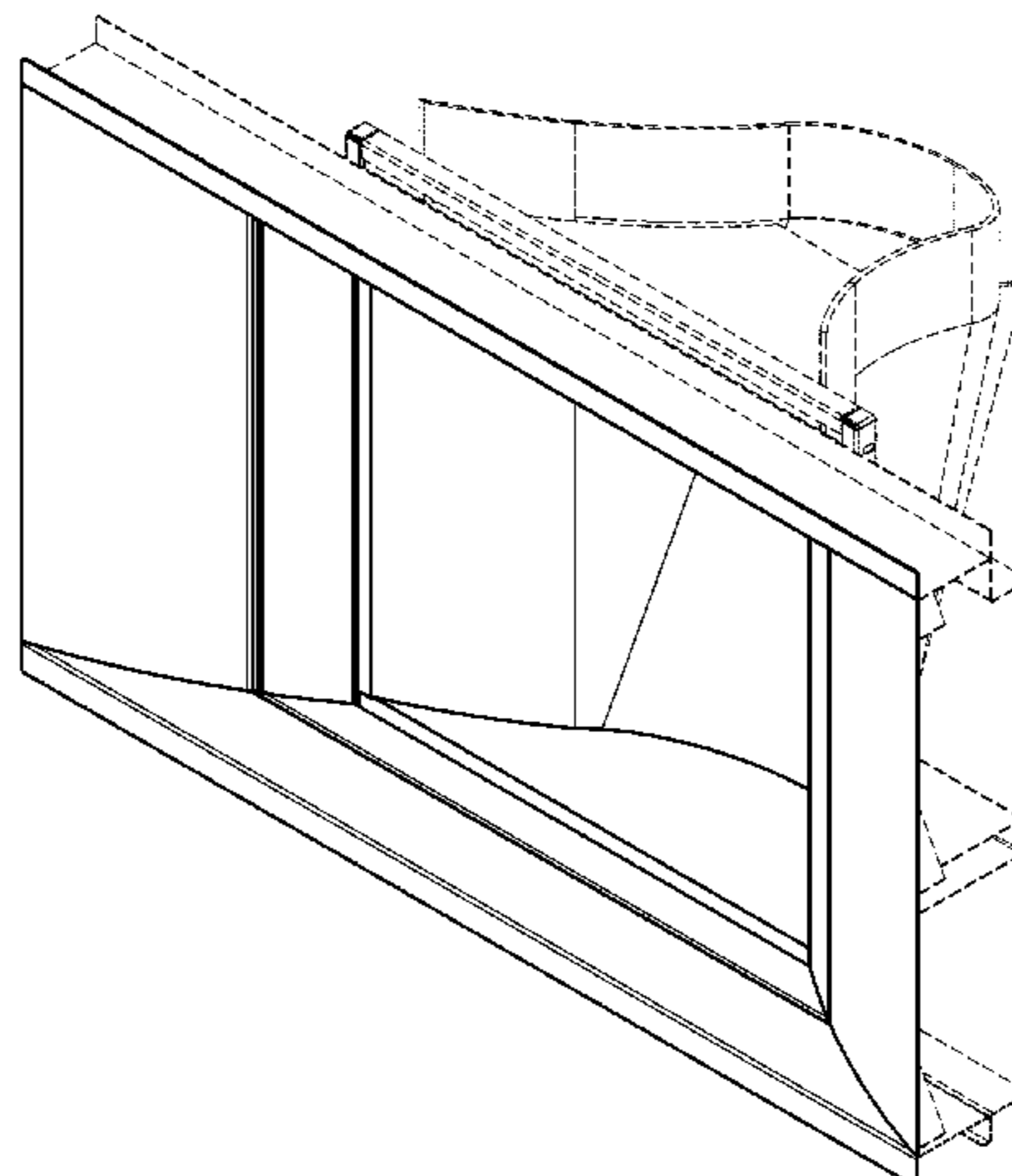
FIG. 5 is a cross-sectional view of the design of FIG. 1 taken along line 5—5 of FIG. 4;

FIG. 6 is a cross-sectional view of the design of FIG. 1 taken along line 6—6 of FIG. 4; and,

FIG. 7 is a side cross-sectional view of the design of FIG. 1 taken along line 6—6 of FIG. 4.

The broken lines in the drawings represent unclaimed environmental subject matter.

1 Claim, 7 Drawing Sheets



US D619,239 S

Page 2

U.S. PATENT DOCUMENTS

D591,841 S * 5/2009 McQueen D23/343
D593,658 S * 6/2009 Sennema D23/314

FOREIGN PATENT DOCUMENTS

EP 1130323 A1 * 9/2001

EP 1445541 A2 * 8/2004
GB EM 272752-0001 * 12/2004
NL EM 696745-0001 * 3/2007

* cited by examiner

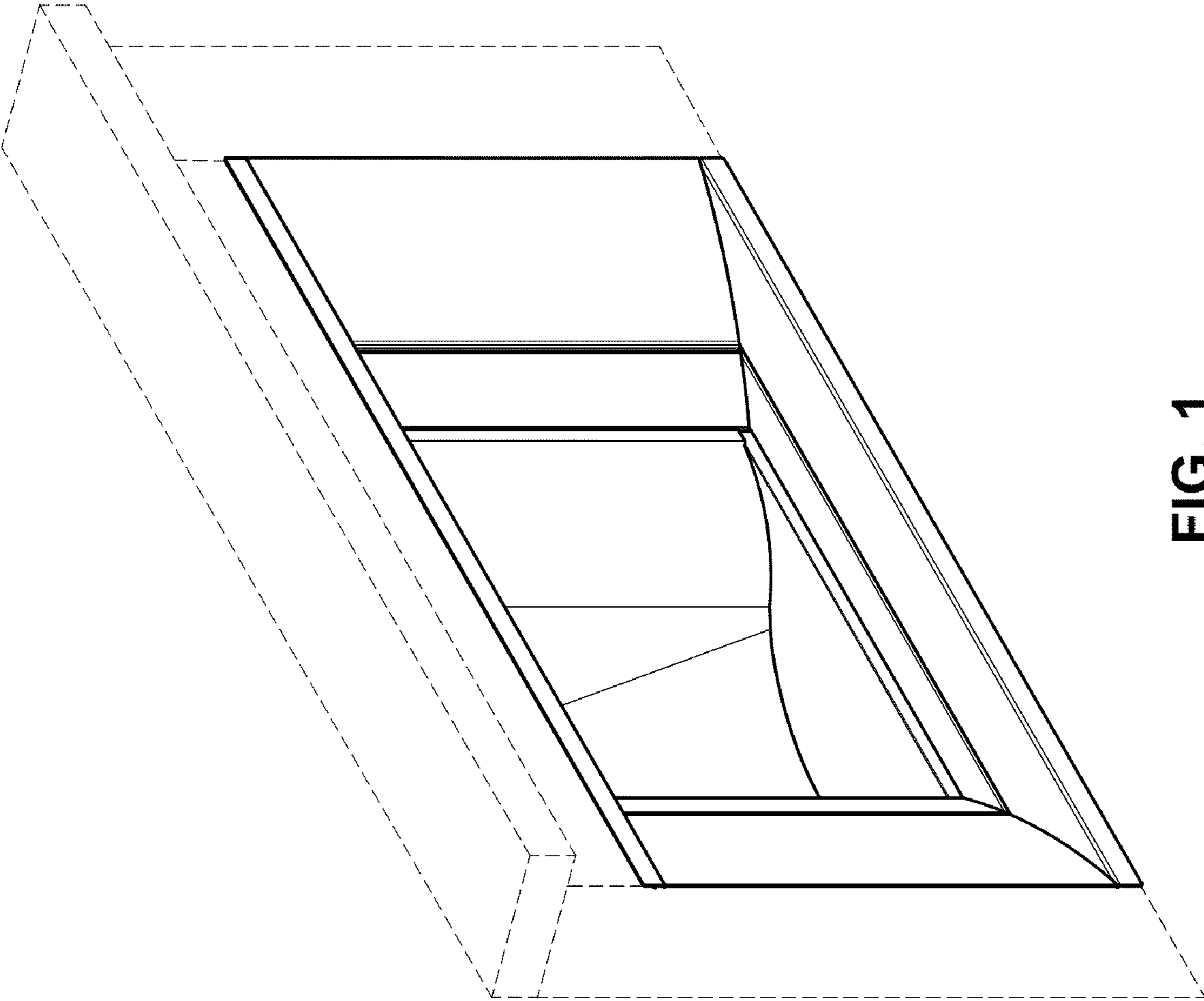


FIG. 1

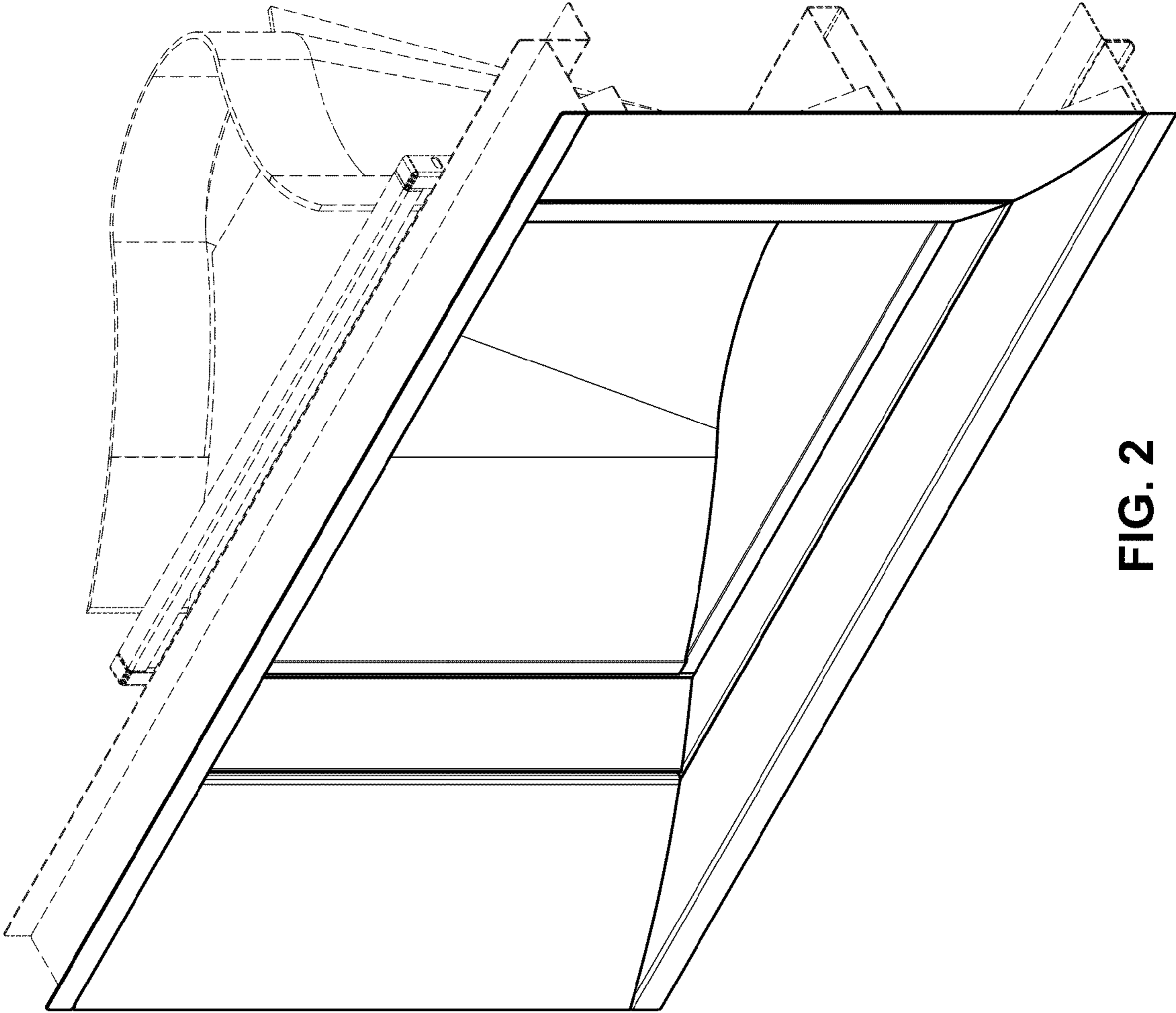


FIG. 2

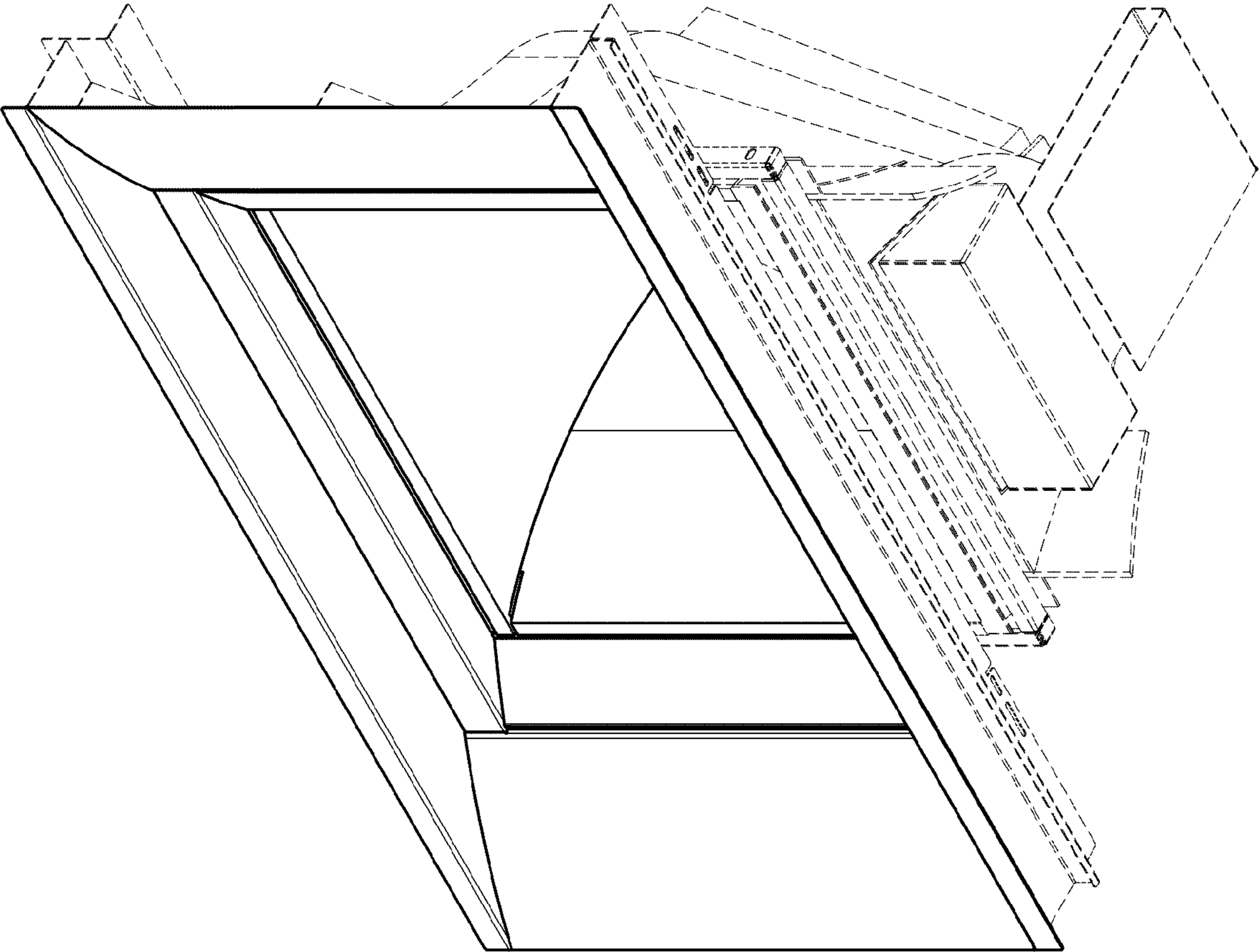


FIG. 3

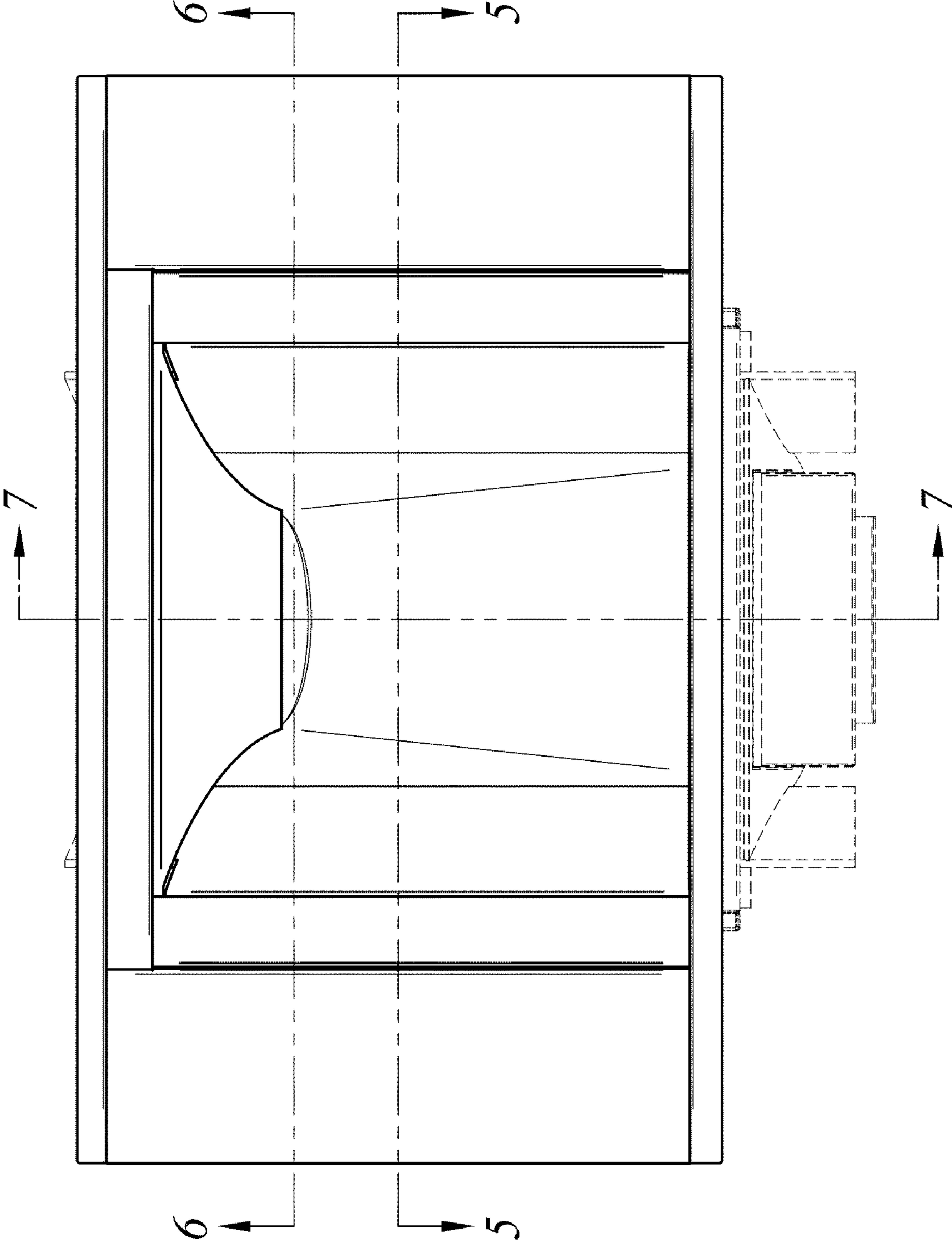


FIG. 4

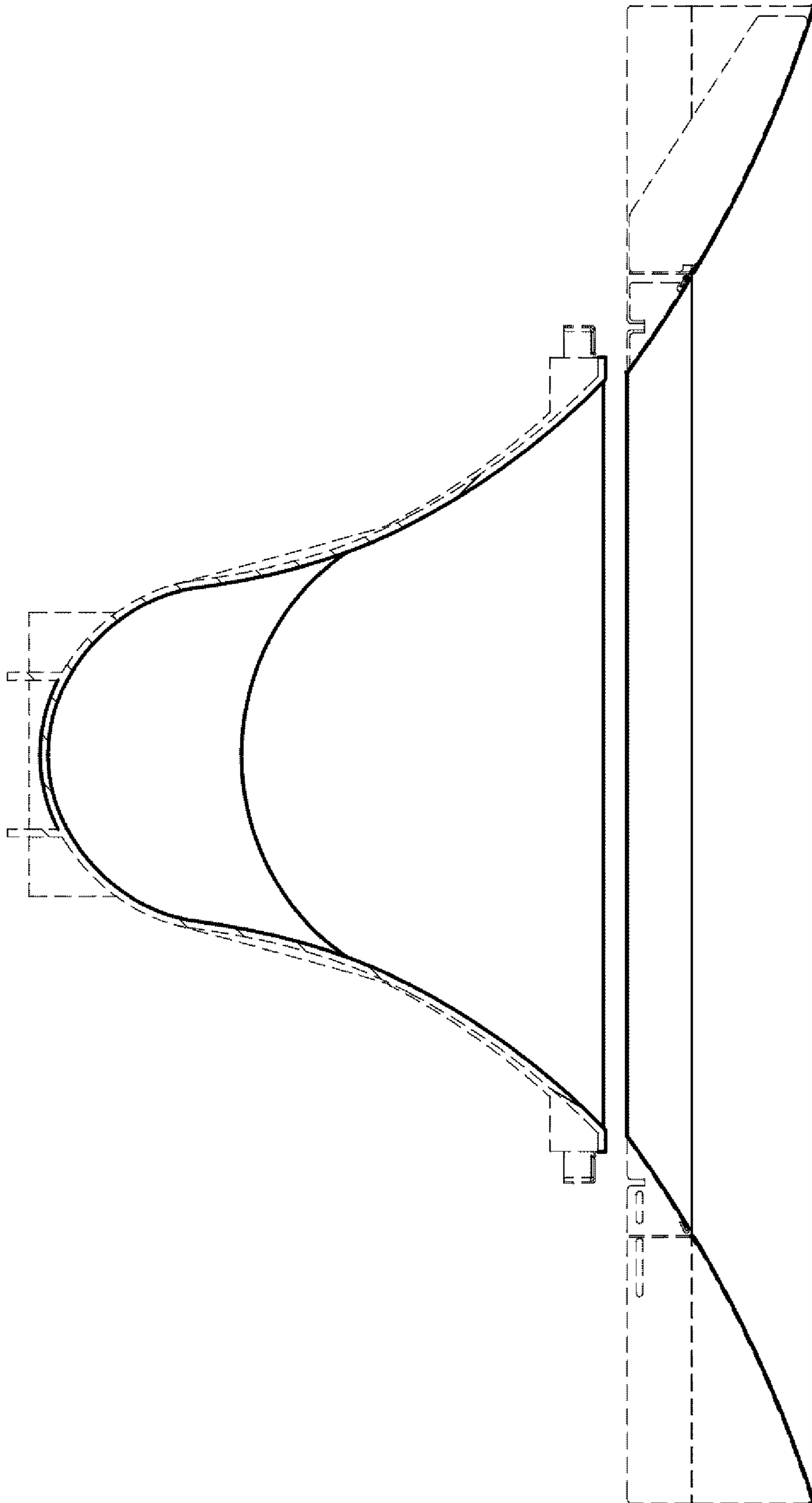


FIG. 5

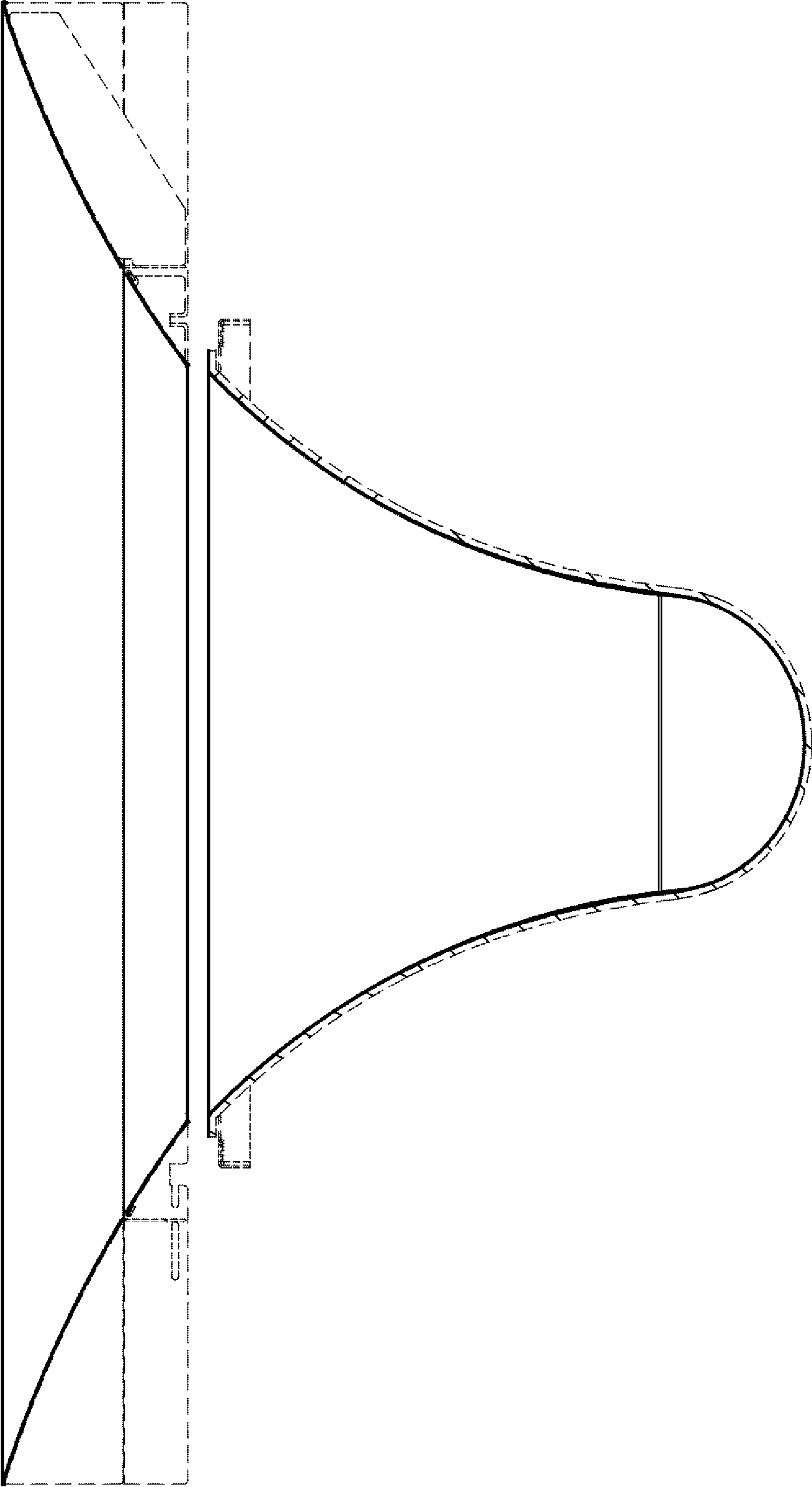


FIG. 6

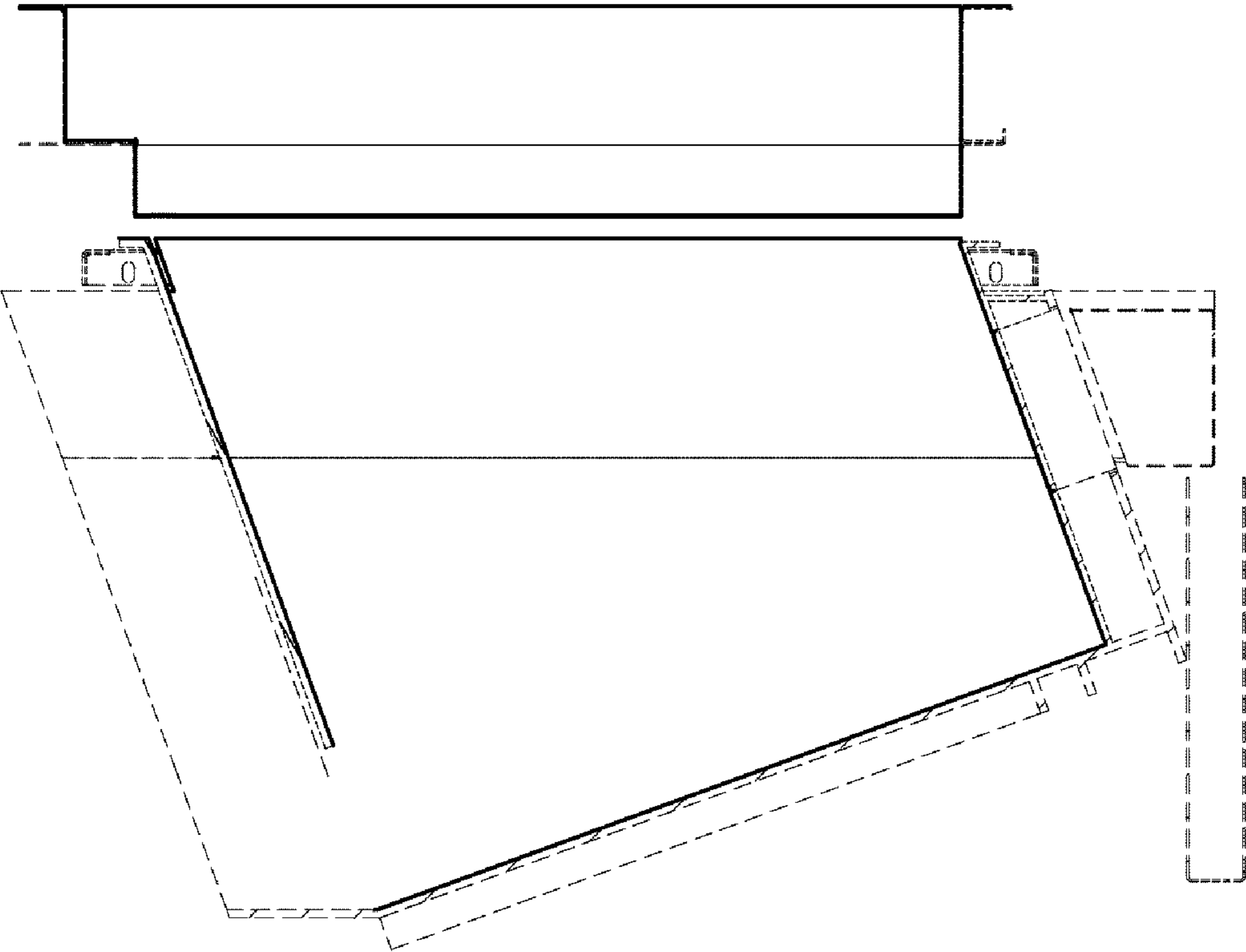


FIG. 7