



US00D619238S

(12) **United States Design Patent**  
**Hidalgo**

(10) **Patent No.:** **US D619,238 S**  
(45) **Date of Patent:** **\*\* Jul. 6, 2010**

(54) **COMBINATION CEILING FAN AND LIGHT FIXTURE**

*Primary Examiner*—Lisa P Lichtenstein  
(74) *Attorney, Agent, or Firm*—Baker & McKenzie LLP

(75) **Inventor:** **Rolando Hidalgo**, Yorba Linda, CA (US)

(57) **CLAIM**

The ornamental design for a combination ceiling fan and light fixture, as shown and described.

(73) **Assignee:** **Minka Lighting, Inc.**, Corona, CA (US)

(\*\*) **Term:** **14 Years**

**DESCRIPTION**

(21) **Appl. No.:** **29/353,426**

FIG. 1 is a bottom perspective view of a combination ceiling fan and light fixture showing a first embodiment in accordance with my design;

(22) **Filed:** **Jan. 8, 2010**

(51) **LOC (9) Cl.** ..... **23-04**

(52) **U.S. Cl.** ..... **D23/377**

(58) **Field of Classification Search** ..... D23/377,  
D23/379, 385, 411, 413; 416/5; D26/59,  
D26/72, 81–86, 88, 51

FIG. 2 is a reduced top plan view of the combination ceiling fan and light fixture of FIG. 1 in accordance with my design;

FIG. 3 is a reduced bottom plan view of the combination ceiling fan and light fixture of FIG. 1 in accordance with my design; and,

See application file for complete search history.

FIG. 4 is an enlarged side elevation view of the combination ceiling fan and light fixture of FIG. 1 in accordance with my design, all sides being substantially identical except for the position of the fan blades.

(56) **References Cited**

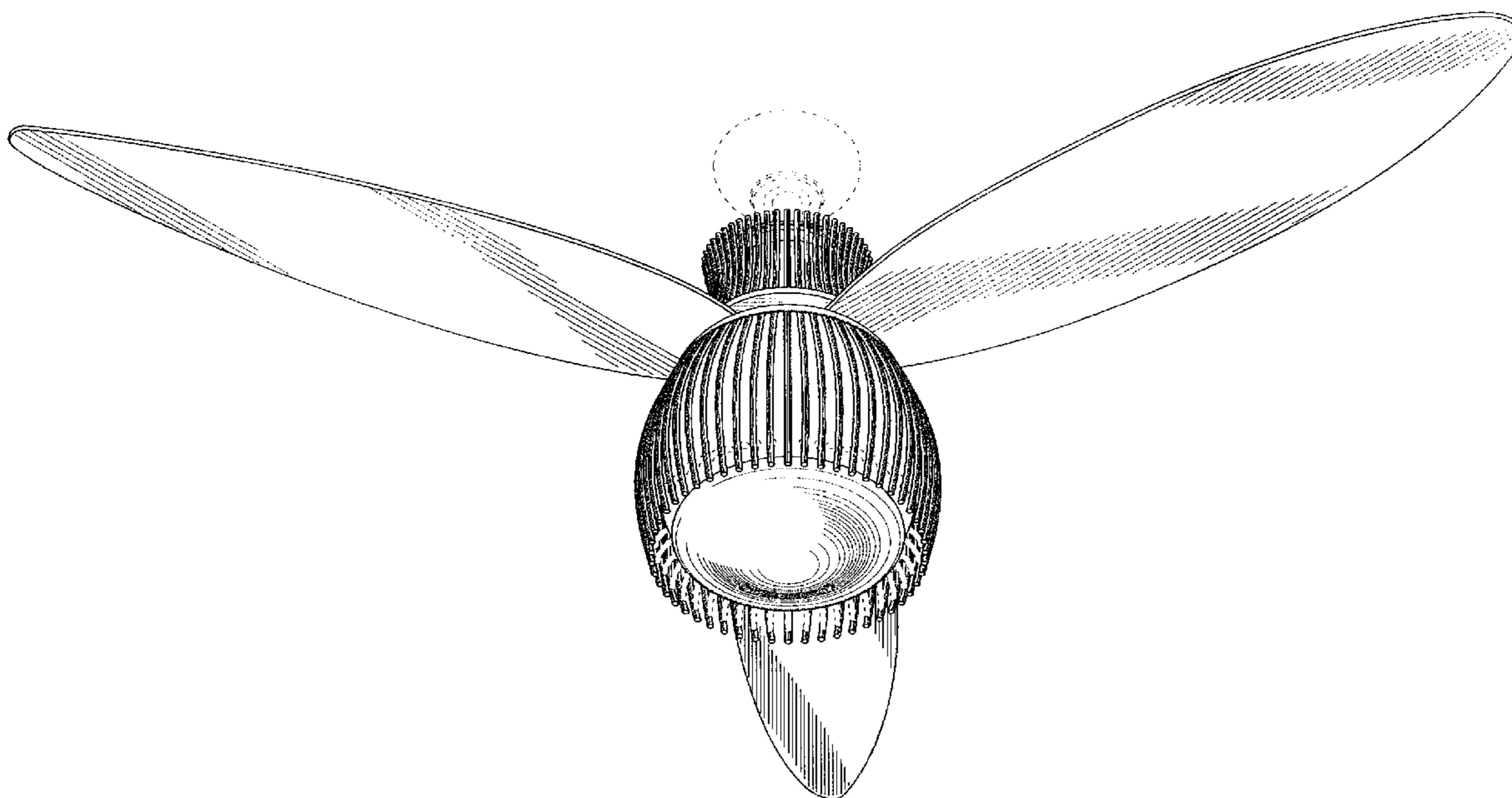
**U.S. PATENT DOCUMENTS**

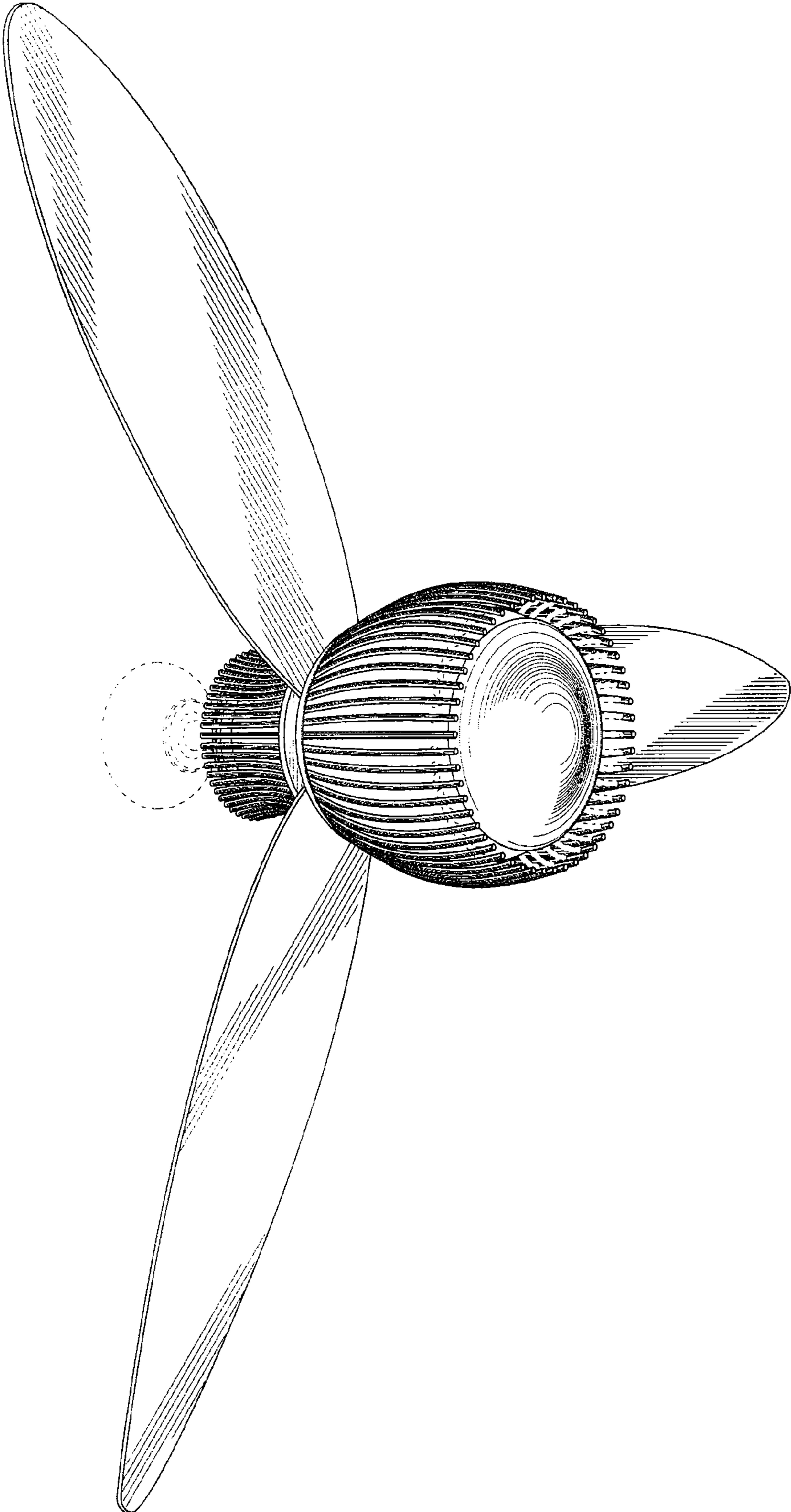
D476,075 S *	6/2003	Hsieh	.....	D23/411
D479,594 S *	9/2003	Hsieh	.....	D23/411
D562,972 S *	2/2008	Pickett	.....	D23/411

The broken line showing of a canopy and a support rod is included for the purpose of illustrating environmental structure and forms no part of the claimed design.

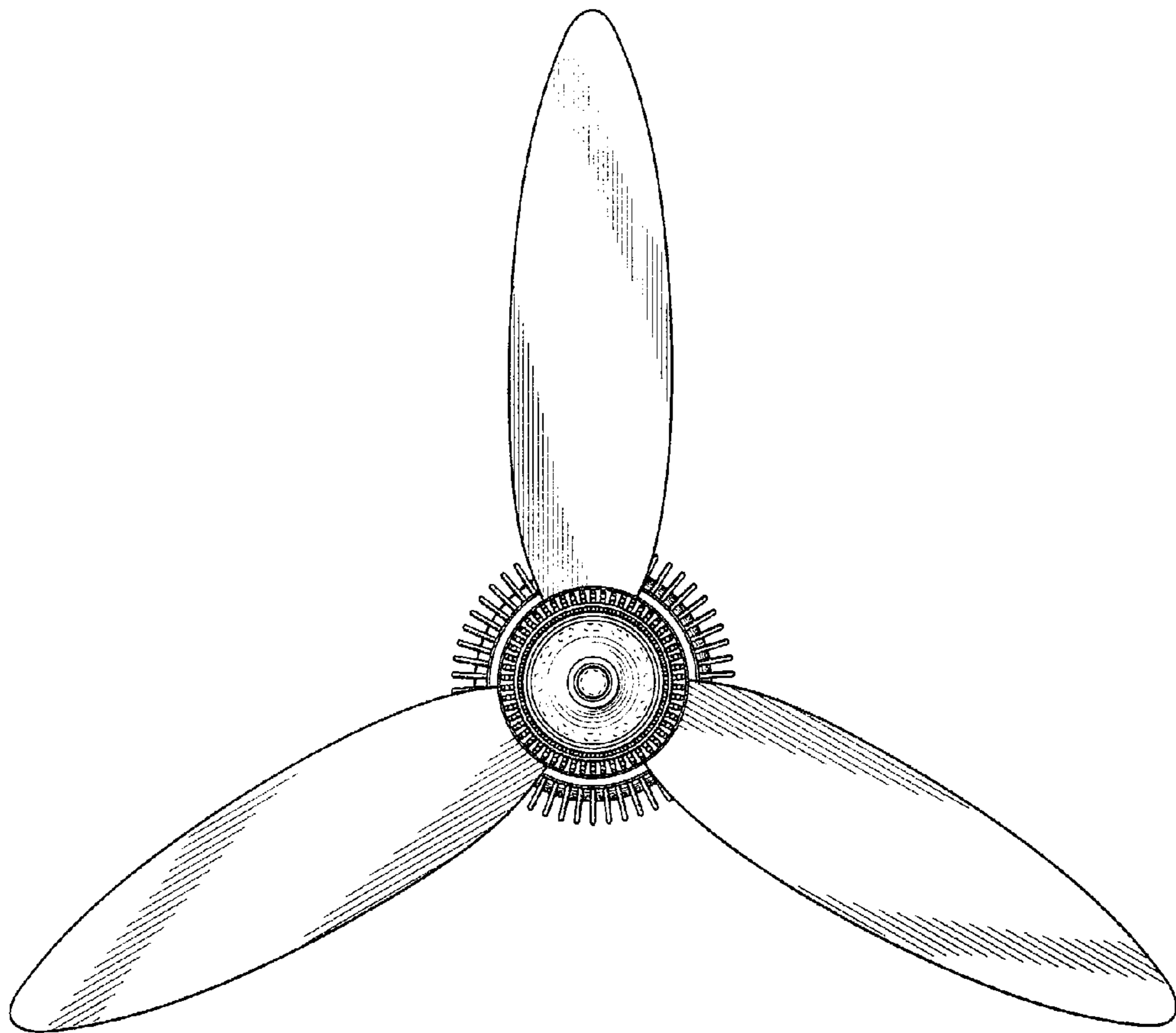
\* cited by examiner

**1 Claim, 4 Drawing Sheets**

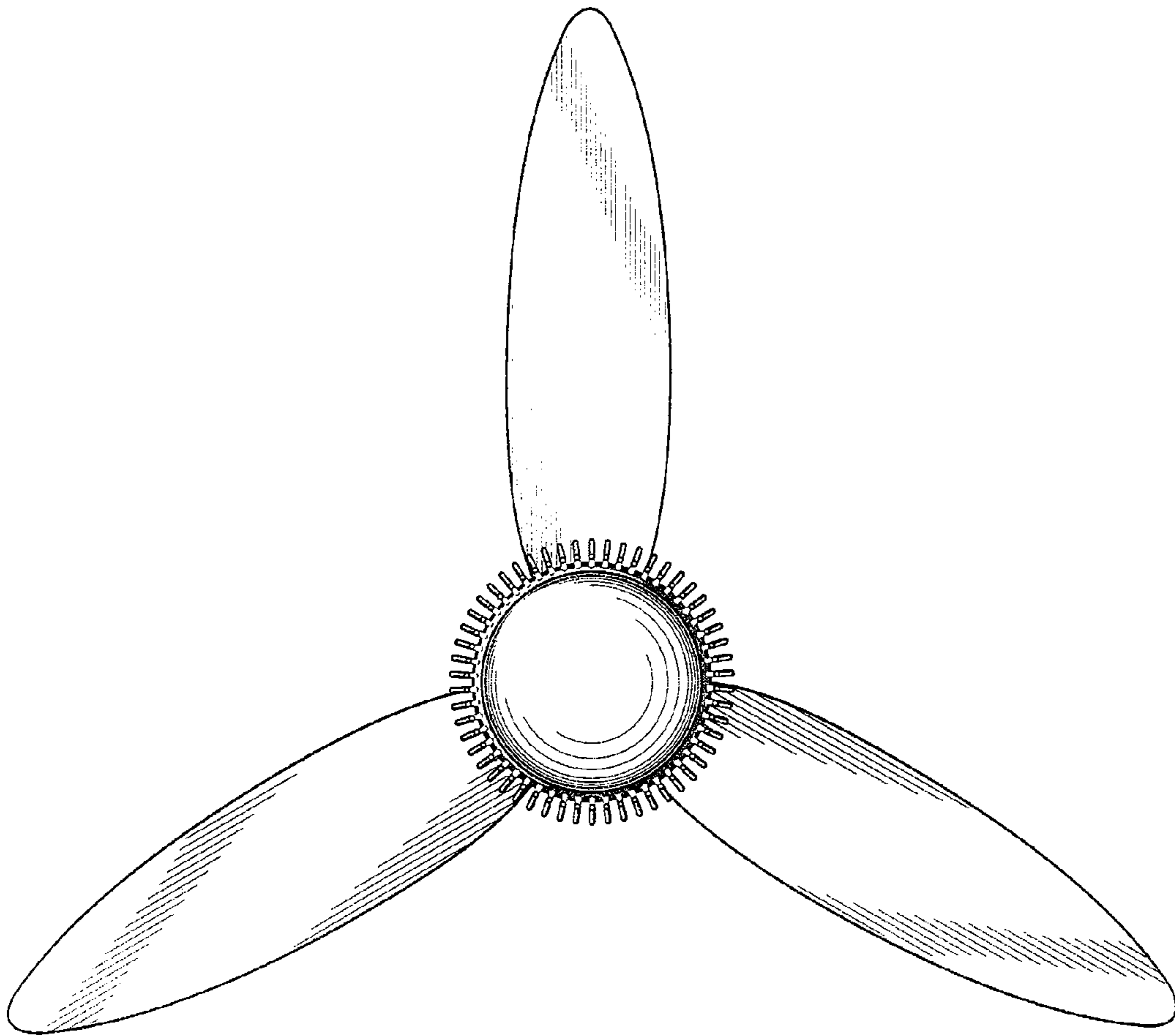




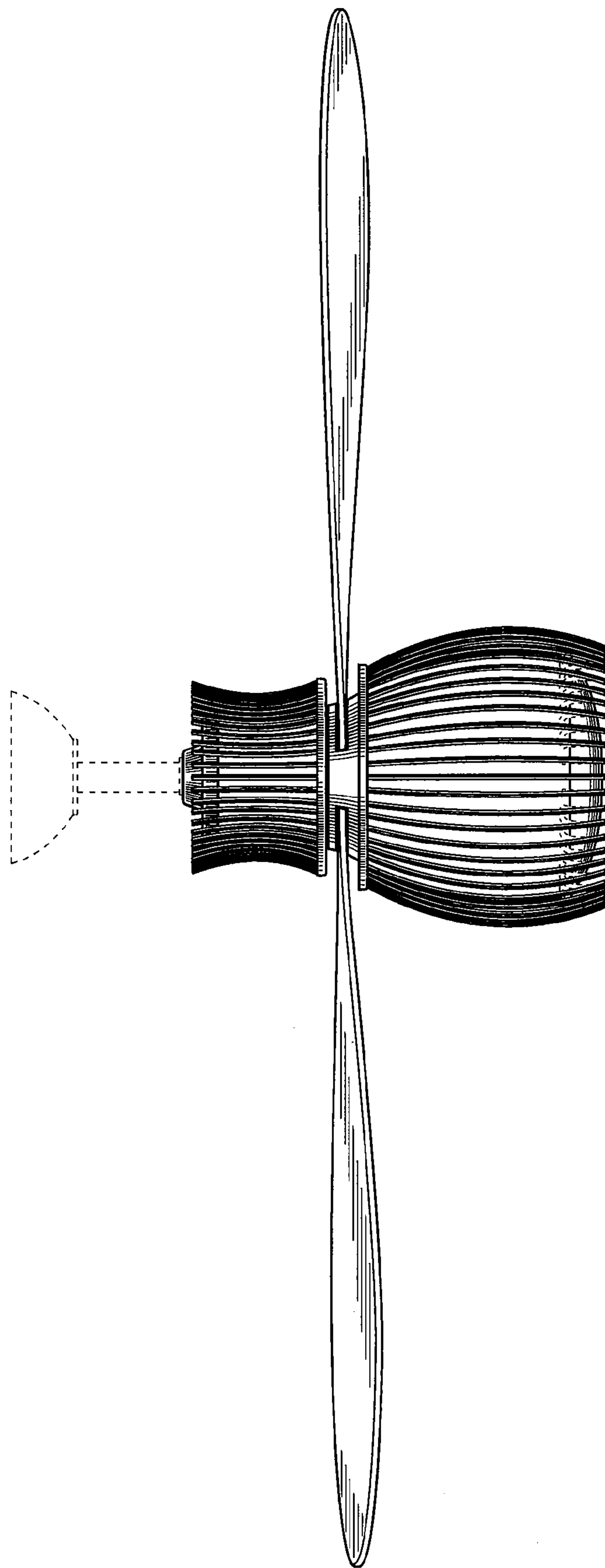
*Fig.1*



*Fig.2*



*Fig.3*



*Fig. 4*