



US00D619235S

(12) **United States Design Patent**
Mueller et al.

(10) **Patent No.:** **US D619,235 S**
(45) **Date of Patent:** **** Jul. 6, 2010**

(54) **AIR CONDITIONER**

(75) Inventors: **Michael Mueller**, Pforzheim (DE);
Alexander Schlag, Pforzheim (DE)

(73) Assignee: **Daikin Industries Ltd.**, Osaka-Shi,
Osaka (JP)

(**) Term: **14 Years**

(21) Appl. No.: **29/347,363**

(22) Filed: **Dec. 15, 2009**

(30) **Foreign Application Priority Data**

Jul. 27, 2009 (JP) 2009-017059

(51) **LOC (9) Cl.** **23-04**

(52) **U.S. Cl.** **D23/351**

(58) **Field of Classification Search** D23/351-354,
D23/385, 355, 357, 361; 312/236; 62/259.1,
62/259.4, 262-263, 304; 454/330-331, 349-350
See application file for complete search history.

(56) **References Cited**

U.S. PATENT DOCUMENTS

D380,532 S * 7/1997 Aihara et al. D23/351
D401,313 S * 11/1998 Murakami et al. D23/351

D469,173 S * 1/2003 Kawanori et al. D23/351
D529,594 S * 10/2006 Pruitt D23/351
D565,712 S * 4/2008 Nagahori et al. D23/351
D593,664 S * 6/2009 Chouji et al. D23/351

* cited by examiner

Primary Examiner—Brian N Vinson

(74) *Attorney, Agent, or Firm*—Manabu Kanesaka

(57) **CLAIM**

The ornamental design for an air conditioner, as shown and described.

DESCRIPTION

FIG. 1 is a front, bottom, and right side perspective view of an air conditioner showing our new design;

FIG. 2 is a front elevational view thereof;

FIG. 3 is a rear elevational view thereof;

FIG. 4 is a top plan view thereof;

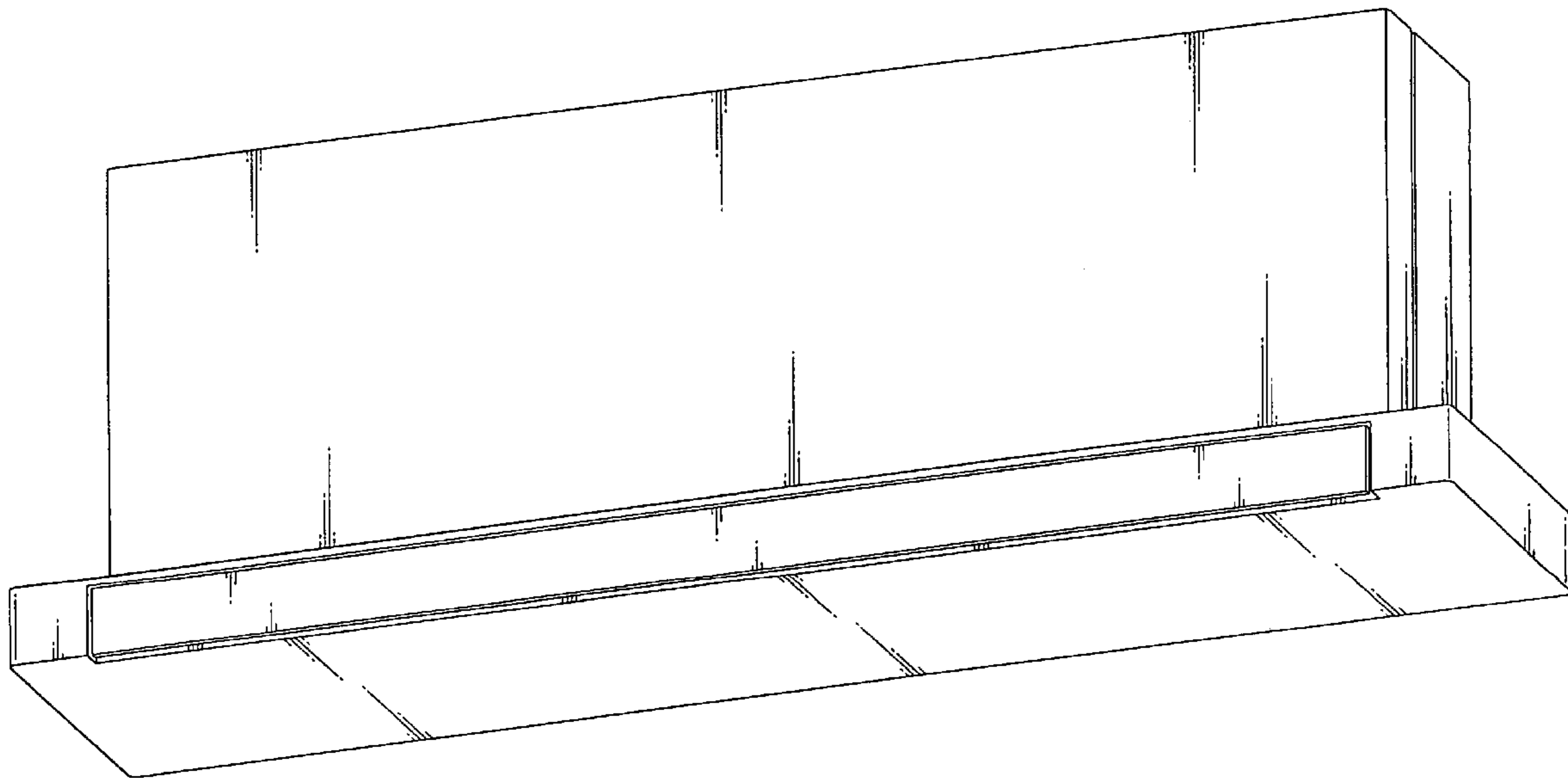
FIG. 5 is a bottom plan view thereof;

FIG. 6 is a right side elevational view thereof;

FIG. 7 is a left side elevational view thereof; and,

FIG. 8 is an enlarged vertical cross-sectional view thereof taken along line 8—8 in FIG. 2.

1 Claim, 5 Drawing Sheets



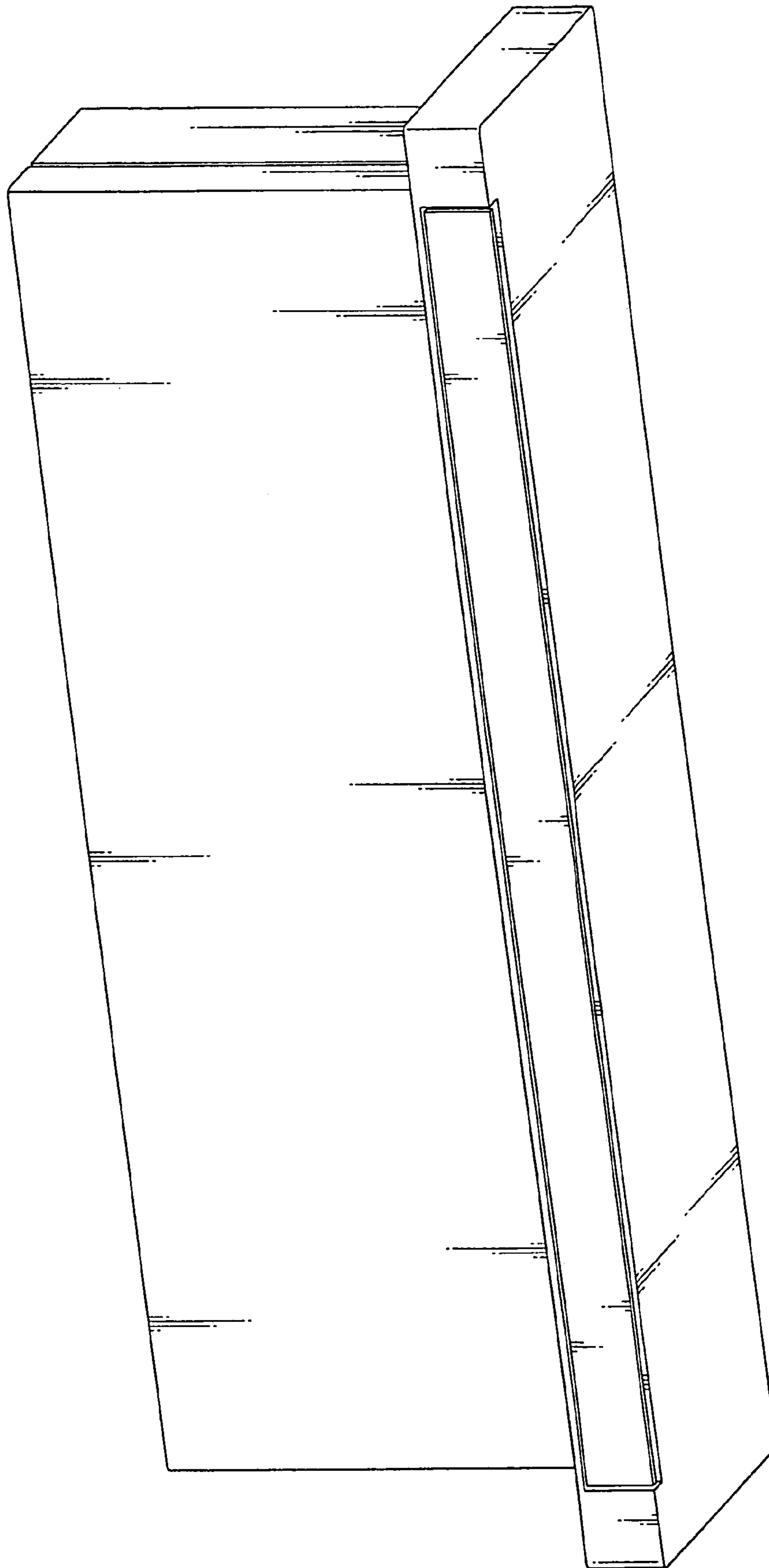


Fig. 1

Fig.2

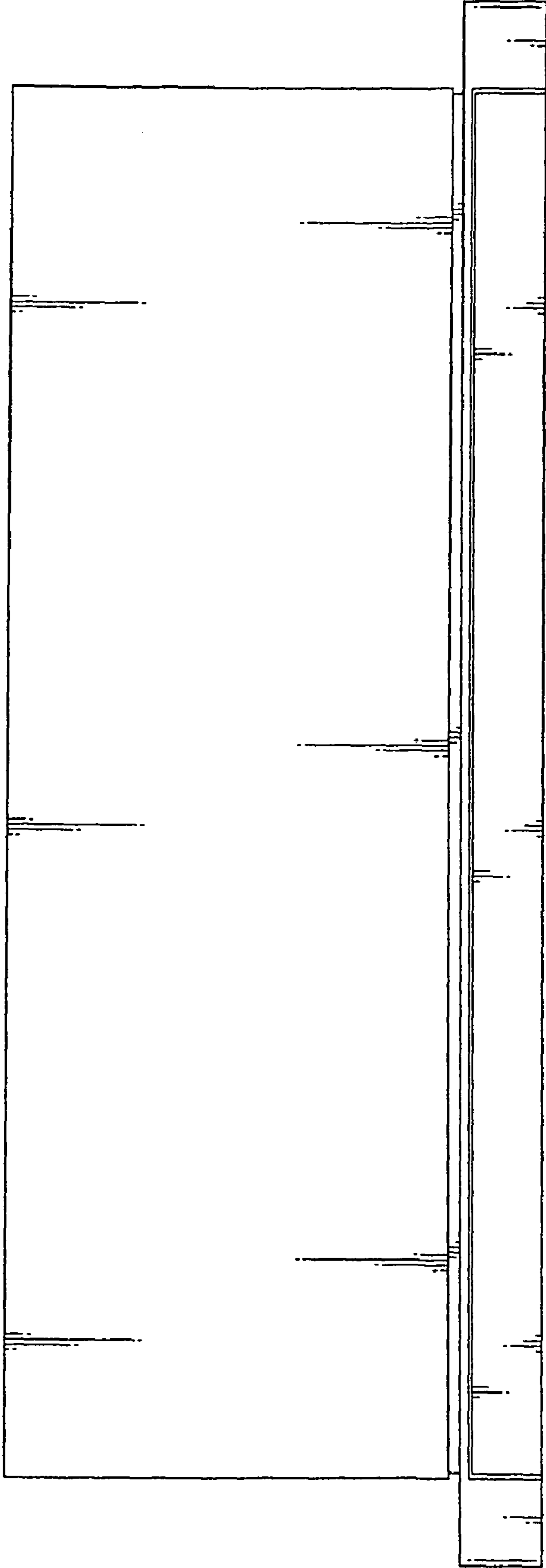


Fig. 3

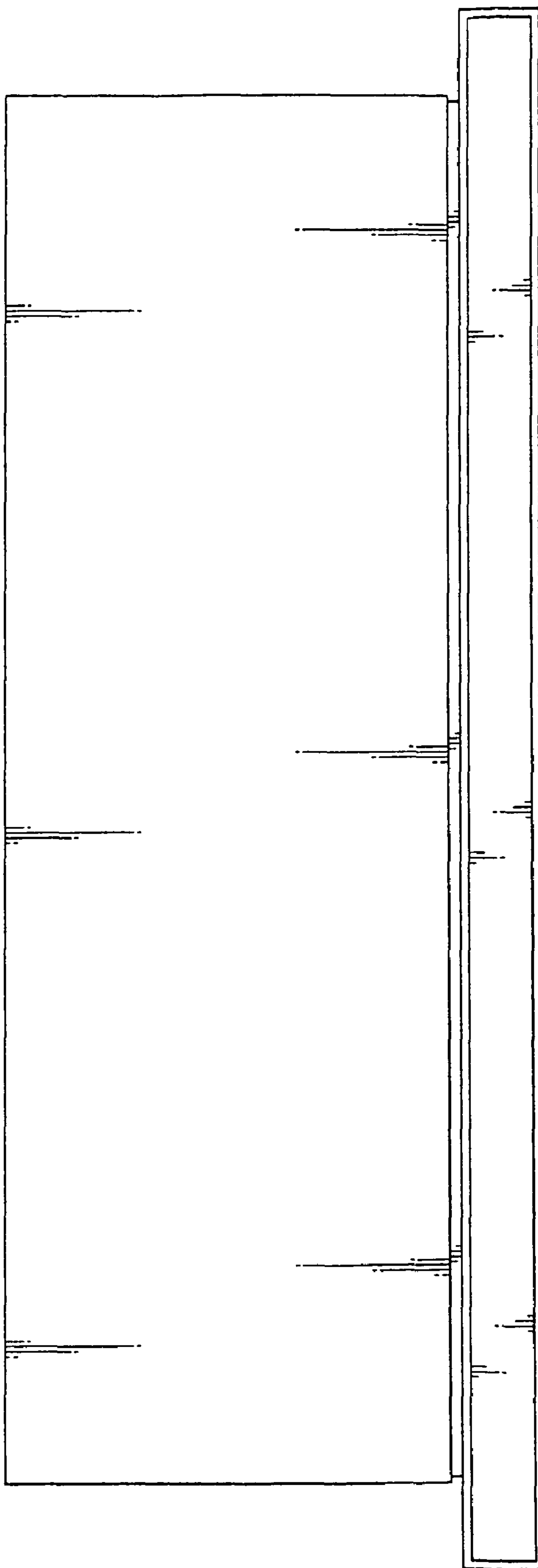


Fig.4

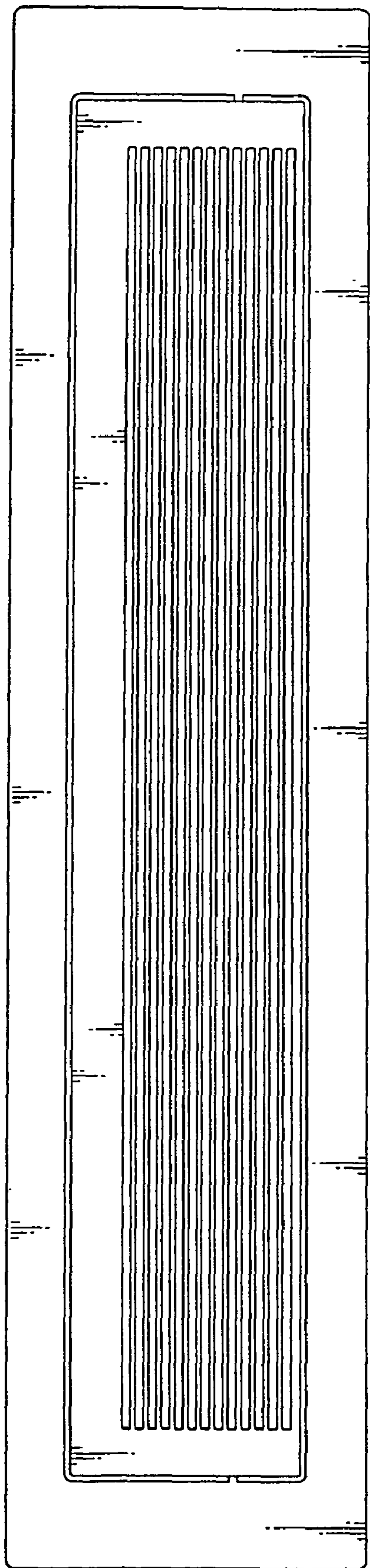


Fig.5

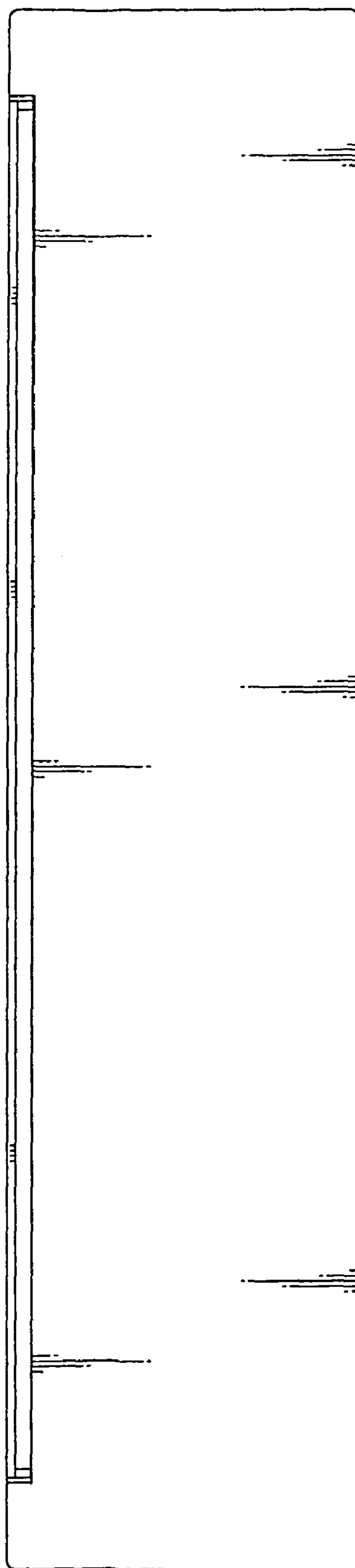


Fig. 8

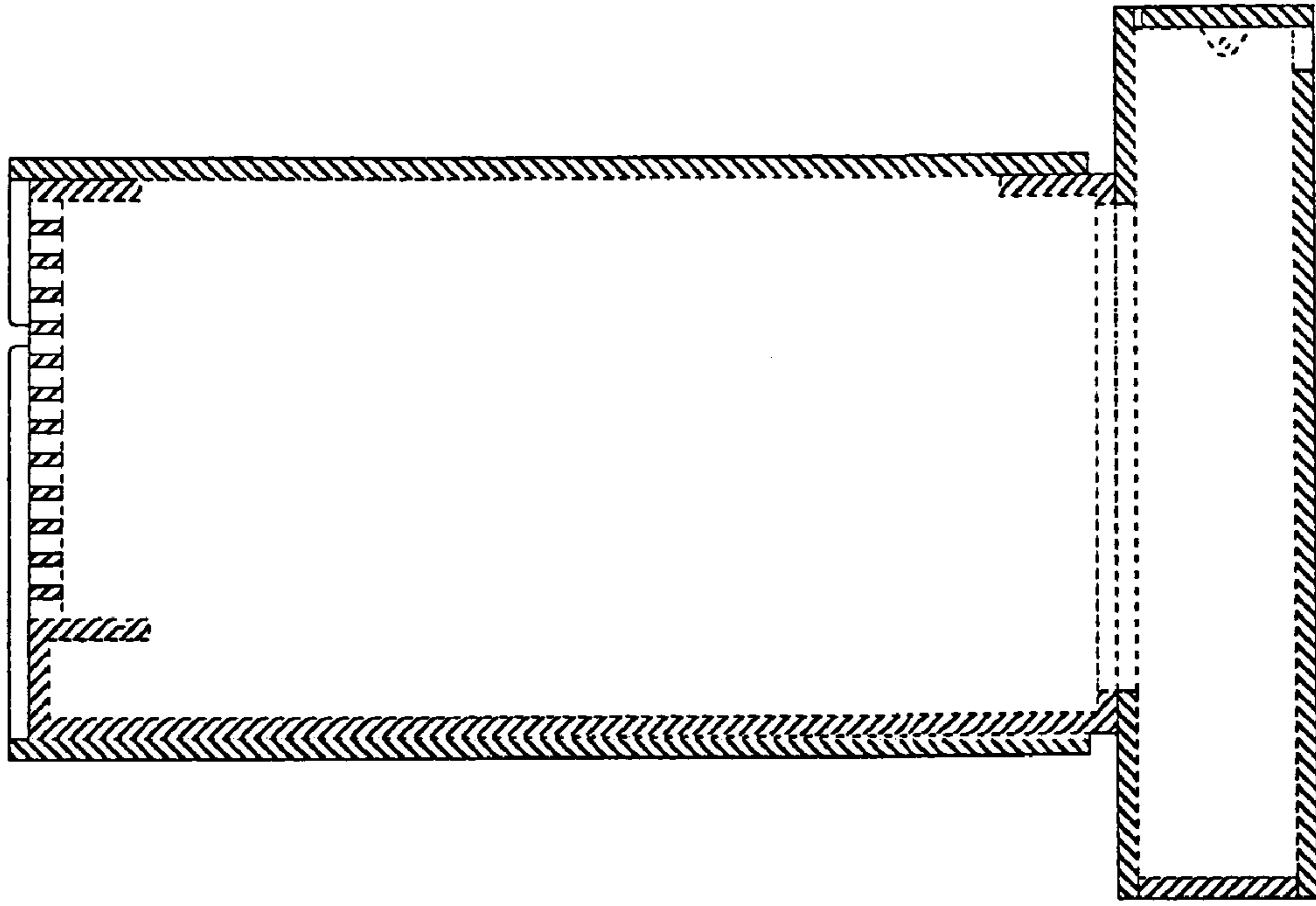


Fig. 7

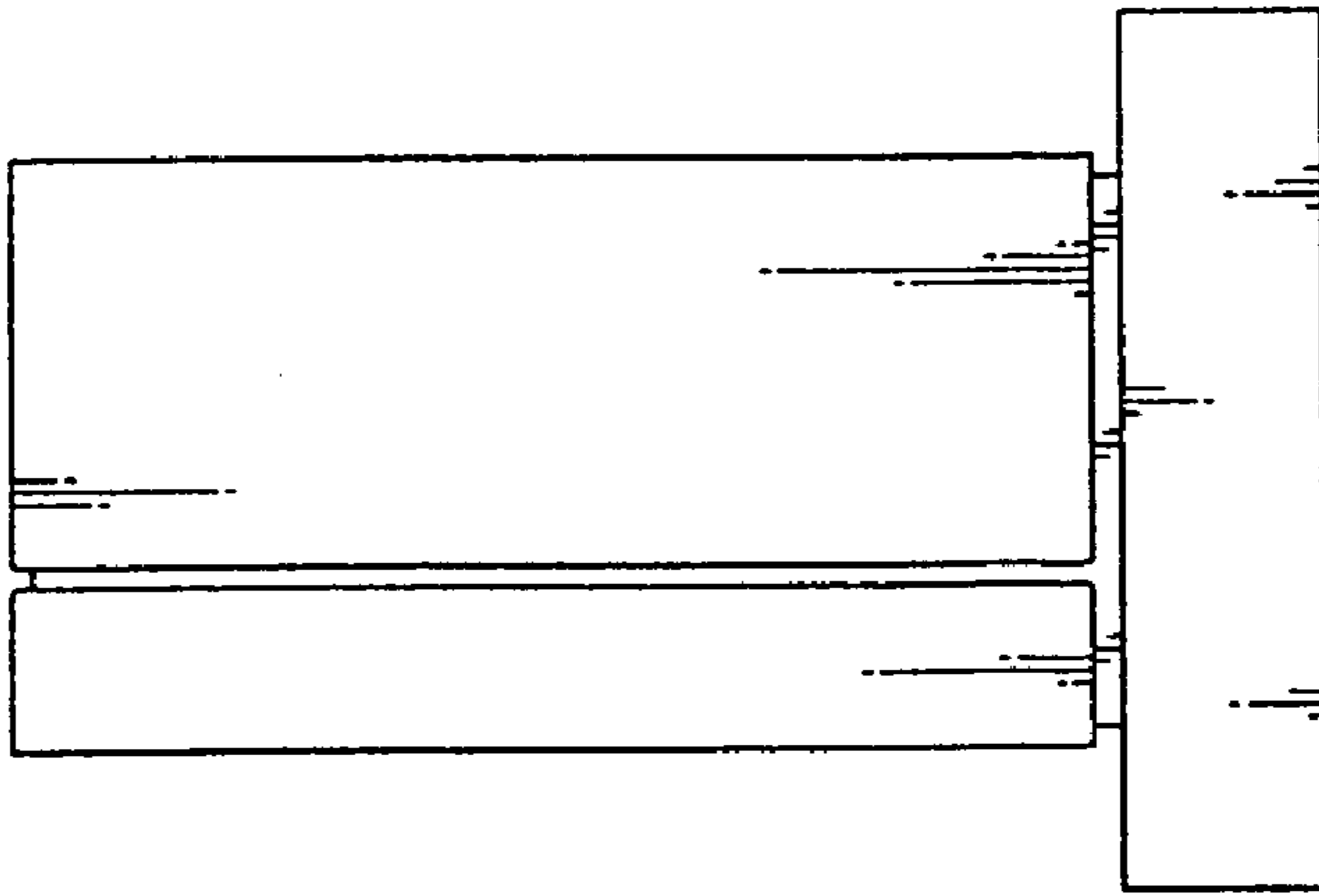


Fig. 6

