



US00D619234S

(12) **United States Design Patent**
Nakamura et al.

(10) **Patent No.:** **US D619,234 S**

(45) **Date of Patent:** **** Jul. 6, 2010**

(54) **AIR CONDITIONER**

(75) Inventors: **Junji Nakamura**, Kusatsu (JP);
Kouichirou Seki, Kusatsu (JP)

(73) Assignee: **Daikin Industries Ltd.**, Osaka-Shi,
Osaka (JP)

(**) Term: **14 Years**

(21) Appl. No.: **29/347,267**

(22) Filed: **Nov. 17, 2009**

(30) **Foreign Application Priority Data**

Jul. 24, 2009 (JP) 2009-016905

(51) **LOC (9) Cl.** **23-04**

(52) **U.S. Cl.** **D23/351**

(58) **Field of Classification Search** D23/351-354,
D23/385, 355, 357, 361; 312/236; 62/259.1,
62/259.4, 262-263, 304; 454/300-331, 349-350
See application file for complete search history.

(56) **References Cited**

U.S. PATENT DOCUMENTS

D529,595 S *	10/2006	Ueno et al.	D23/351
D553,721 S *	10/2007	Seki et al.	D23/351
D565,158 S *	3/2008	Nagahori	D23/351
D579,095 S *	10/2008	Nagahori et al.	D23/351
D580,037 S *	11/2008	Seki et al.	D23/351
D580,038 S *	11/2008	Seki et al.	D23/351

D584,806 S *	1/2009	Oh et al.	D23/351
D593,666 S *	6/2009	Nakamura	D23/351
D599,455 S *	9/2009	Alexanderson	D23/351
D605,265 S *	12/2009	Nakamura et al.	D23/351
D605,266 S *	12/2009	Nakamura et al.	D23/351
D605,267 S *	12/2009	Nakamura et al.	D23/351

* cited by examiner

Primary Examiner—Brian N Vinson

(74) *Attorney, Agent, or Firm*—Manabu Kanesaka

(57) **CLAIM**

The ornamental design for an air conditioner, as shown and described.

DESCRIPTION

FIG. 1 is a perspective view from bottom of an air conditioner showing our new design;

FIG. 2 is a perspective view from top thereof;

FIG. 3 is a front view thereof;

FIG. 4 is a rear view thereof;

FIG. 5 is a plan view thereof;

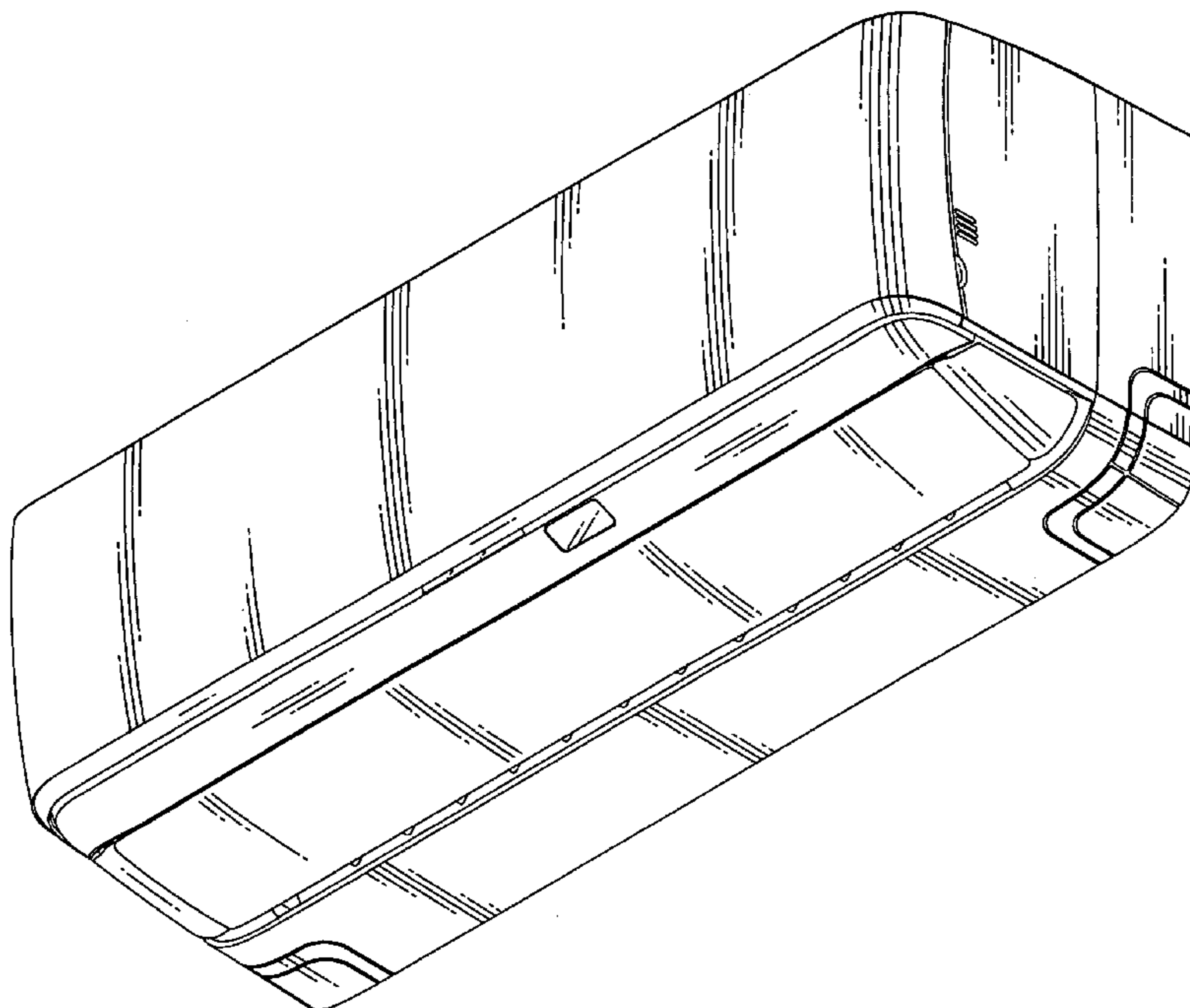
FIG. 6 is a bottom view thereof;

FIG. 7 is a left side view thereof; and,

FIG. 8 is a right side view thereof.

The broken lines depict portions of the air conditioner that form no part of claimed design.

1 Claim, 7 Drawing Sheets



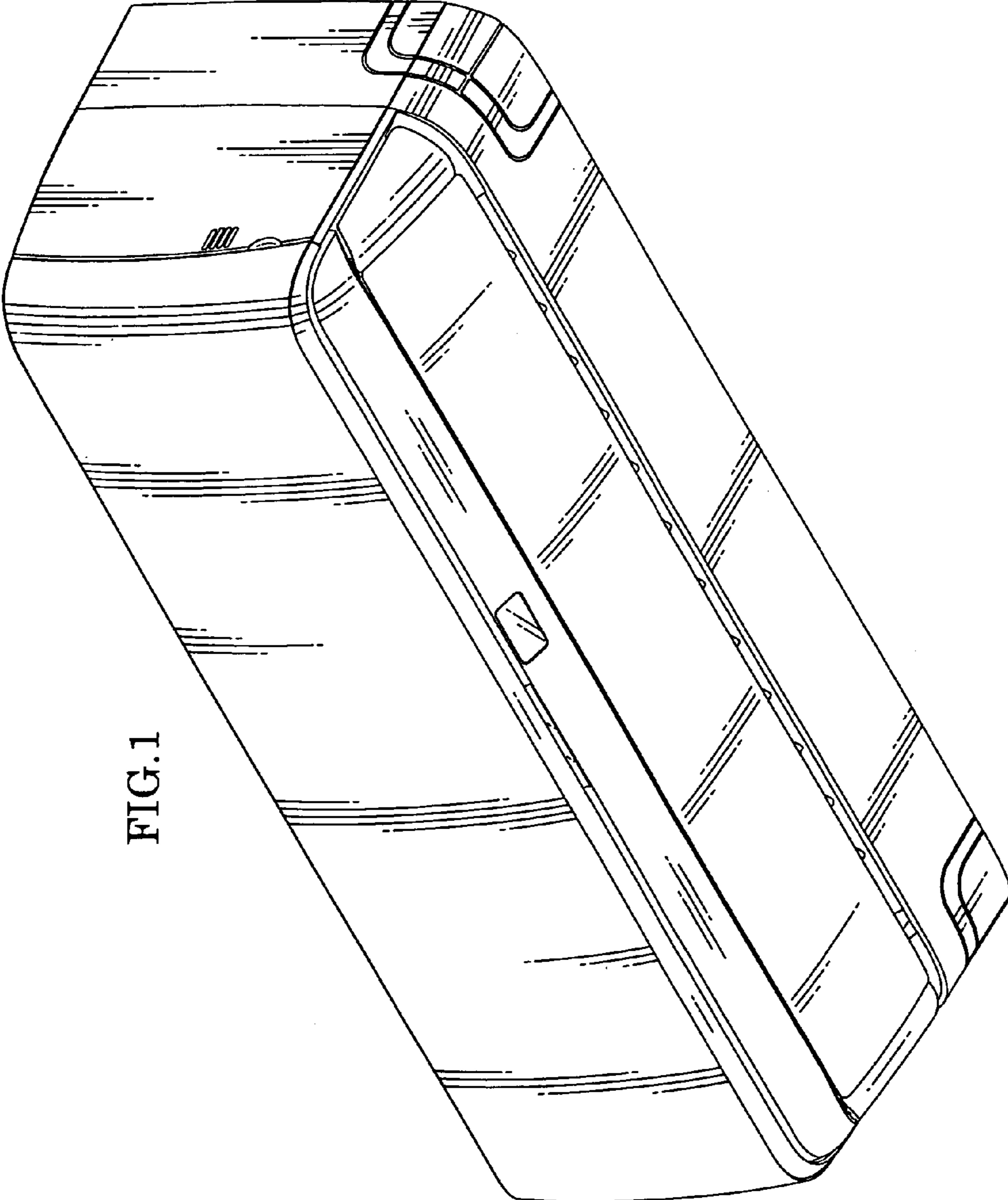


FIG. 1

FIG. 2

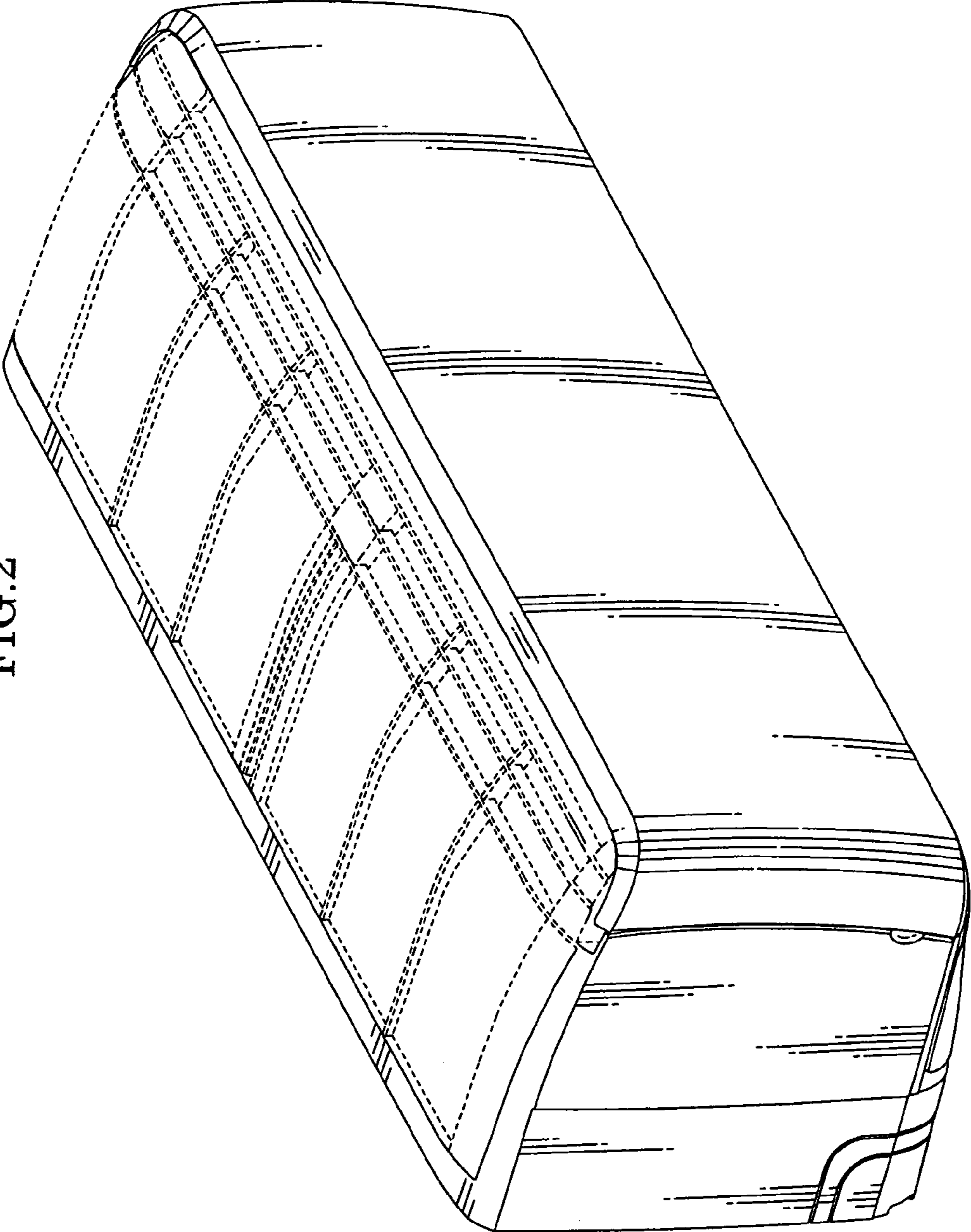


FIG. 3

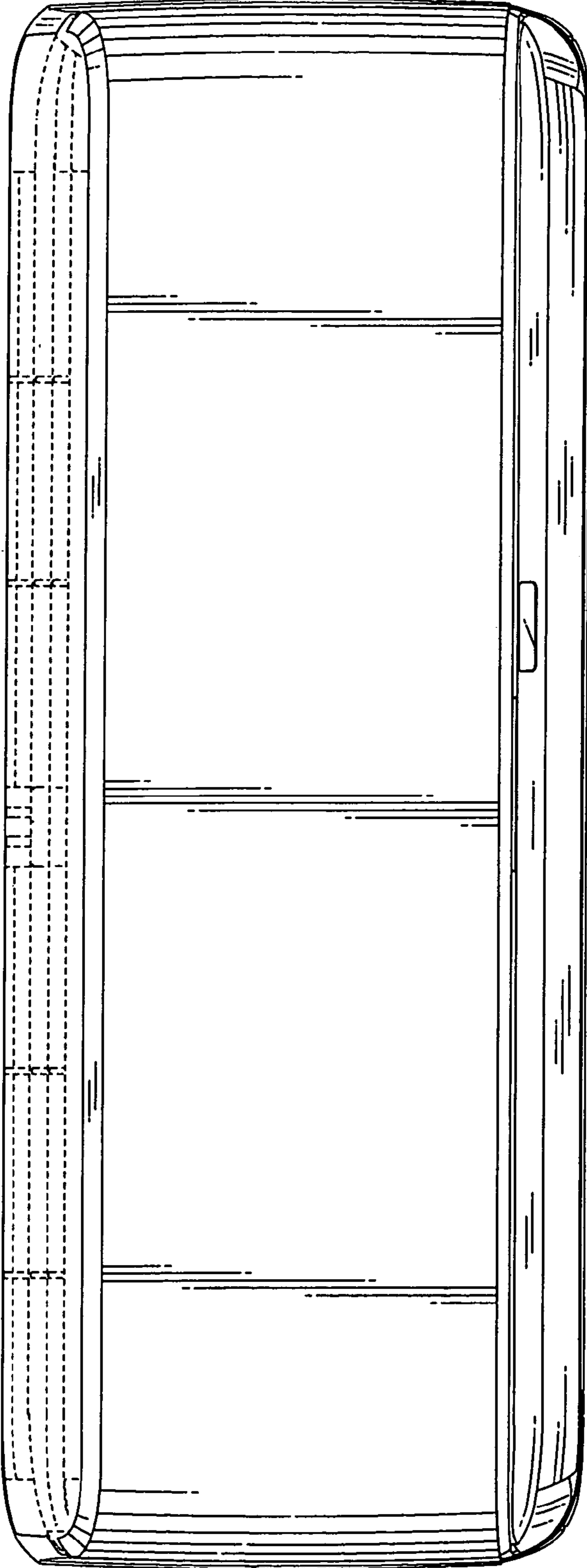


FIG.4

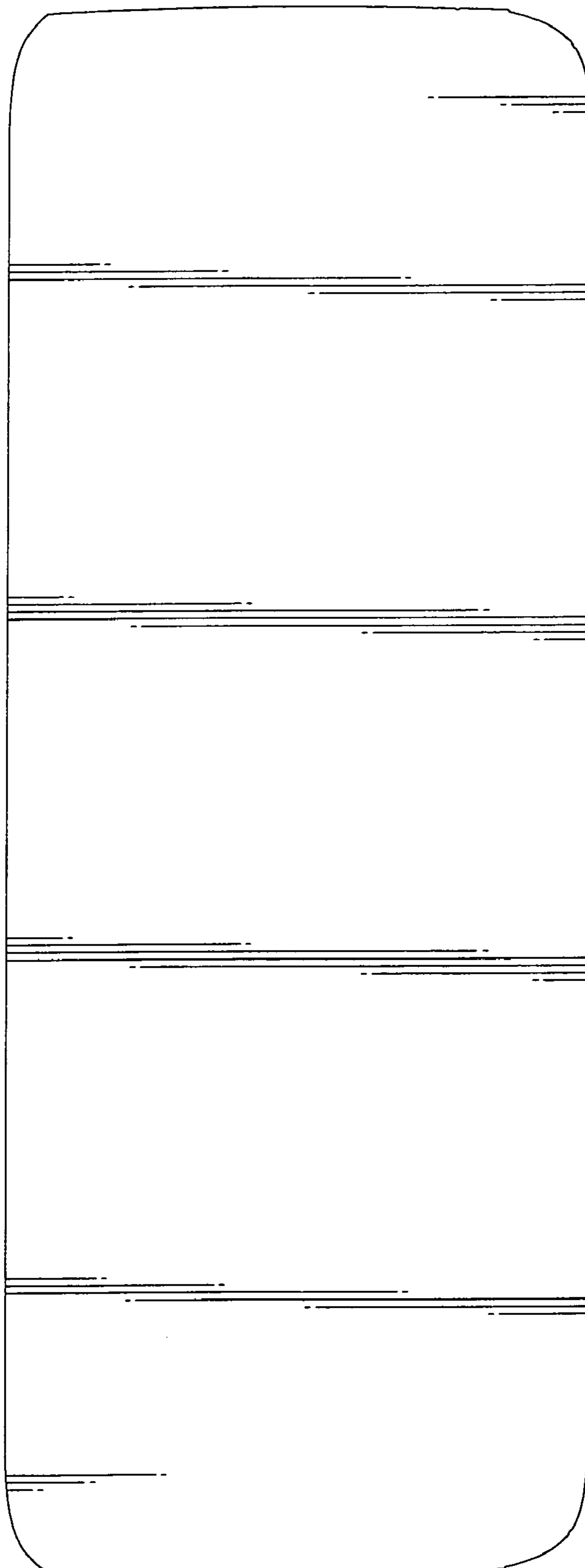


FIG. 5

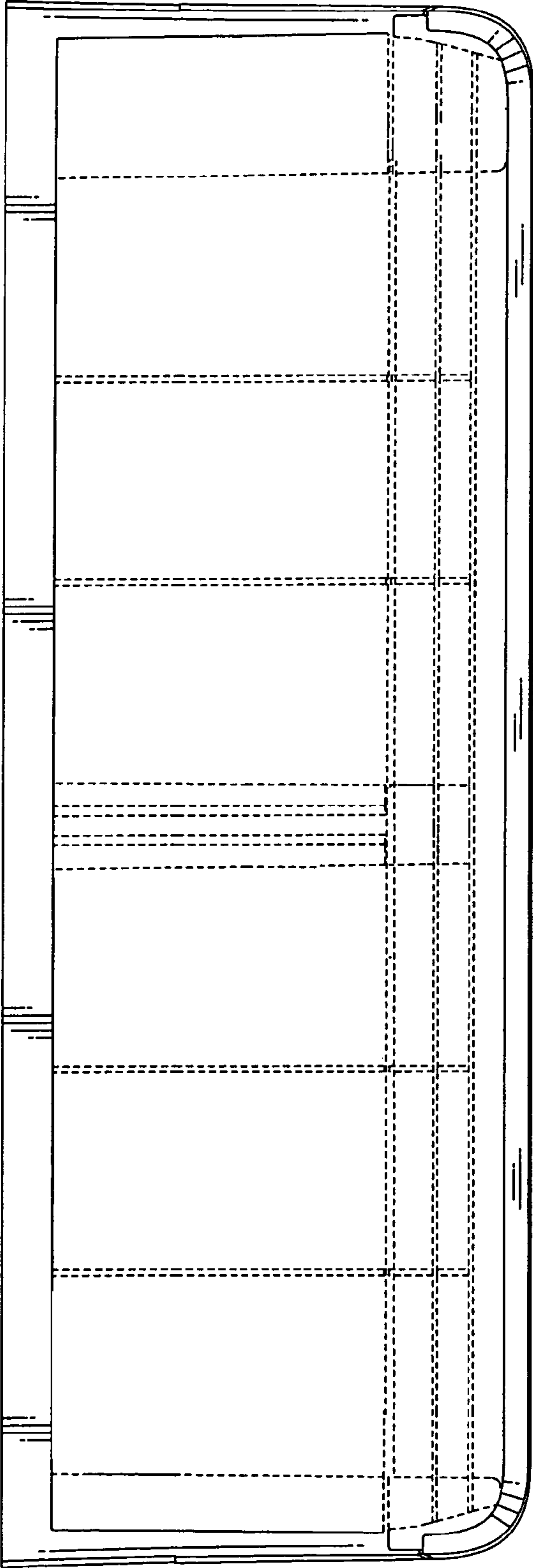


FIG.6

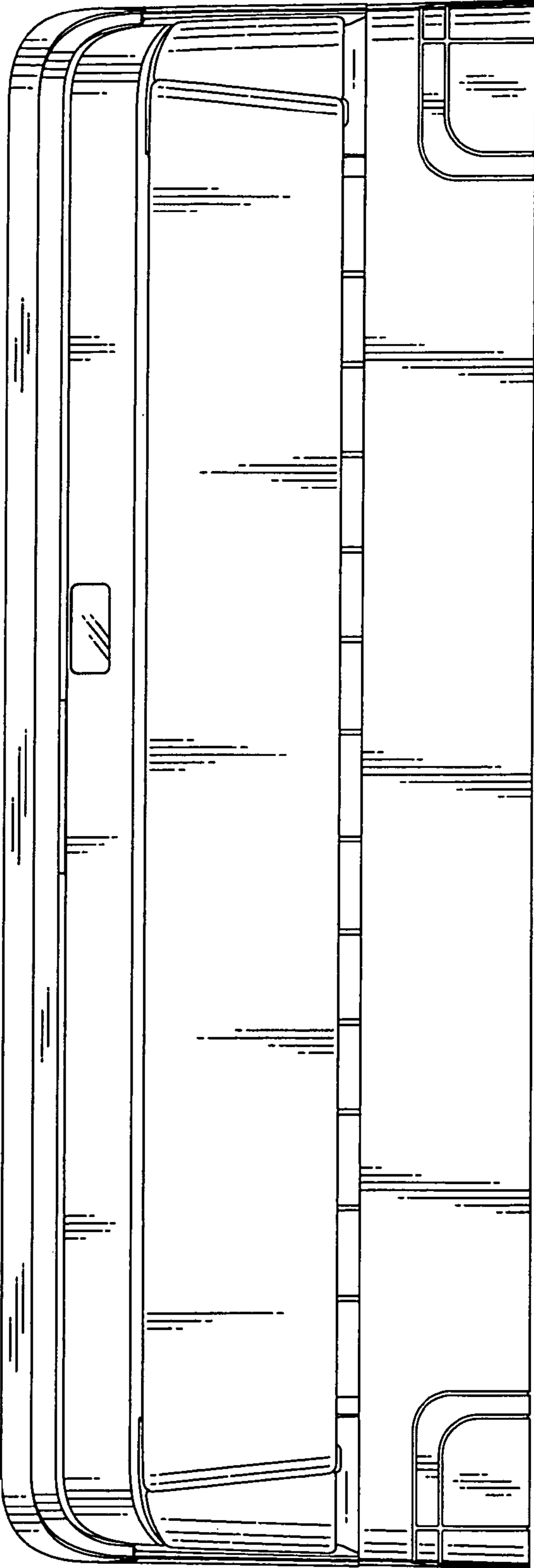


FIG. 8

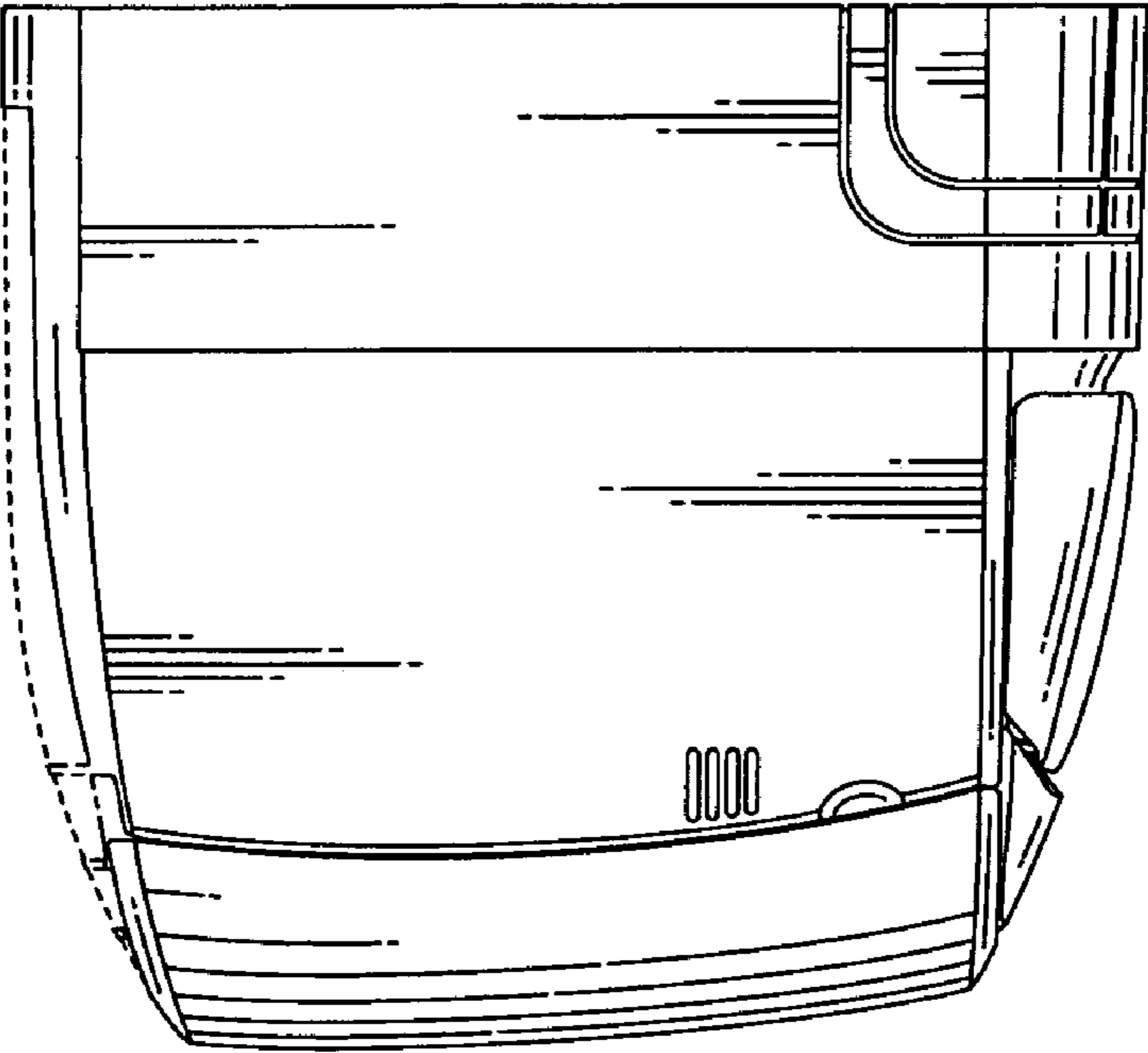


FIG. 7

