



US00D619232S

(12) **United States Design Patent**  
**Ragaini**

(10) **Patent No.:** **US D619,232 S**

(45) **Date of Patent:** **\*\* \*Jul. 6, 2010**

(54) **RADIATOR**

(76) Inventor: **Stefano Ragaini**, Via Buffolareccia,  
19/21, Loreto, Ancona (IT) 60025

(\* ) Notice: This patent is subject to a terminal disclaimer.

(\*\* ) Term: **14 Years**

(21) Appl. No.: **29/338,938**

(22) Filed: **Jun. 22, 2009**

(30) **Foreign Application Priority Data**

Dec. 23, 2008 (EM) ..... 1062723

(51) **LOC (9) Cl.** ..... **23-03**

(52) **U.S. Cl.** ..... **D23/330**

(58) **Field of Classification Search** ..... D23/317,  
D23/314, 332, 333, 334, 335, 337, 342, 351,  
D23/355, 378, 370, 381, 364, 336, 341, 330;  
416/244 R, 247 R, 53.1-53.3; 392/365, 367

See application file for complete search history.

(56) **References Cited**

**U.S. PATENT DOCUMENTS**

D243,401 S \* 2/1977 Almen ..... D23/386

4,452,231 A \* 6/1984 El-Shayeb ..... 126/584  
D281,008 S \* 10/1985 Hutter et al. .... D23/314  
D281,009 S \* 10/1985 Moses et al. .... D23/314  
D354,557 S \* 1/1995 Cich et al. .... D23/330

\* cited by examiner

*Primary Examiner*—T. Chase Nelson

*Assistant Examiner*—Ania K Dworzecka

(74) *Attorney, Agent, or Firm*—Hughes Hubbard & Reed  
LLP

(57) **CLAIM**

The ornamental design for a radiator, as shown and described.

**DESCRIPTION**

FIG. 1 is a front elevation view of a radiator showing my new design;

FIG. 2 is a front perspective view thereof;

FIG. 3 is a rear elevation view thereof;

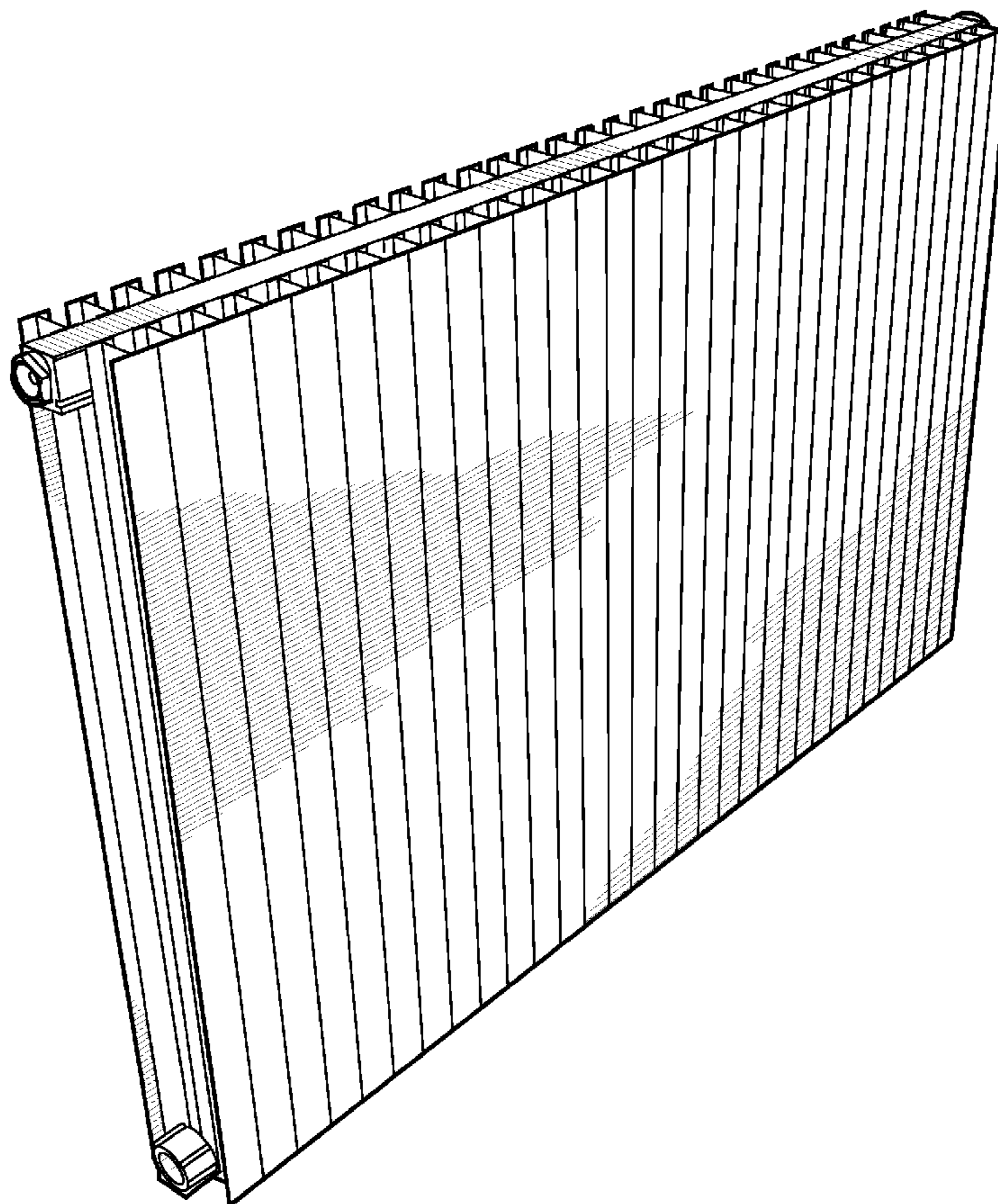
FIG. 4 is a partial enlarged top and back perspective view thereof;

FIG. 5 is a left side elevation view thereof;

FIG. 6 is a right side elevation view thereof; and,

FIG. 7 is a top plan view thereof.

**1 Claim, 7 Drawing Sheets**



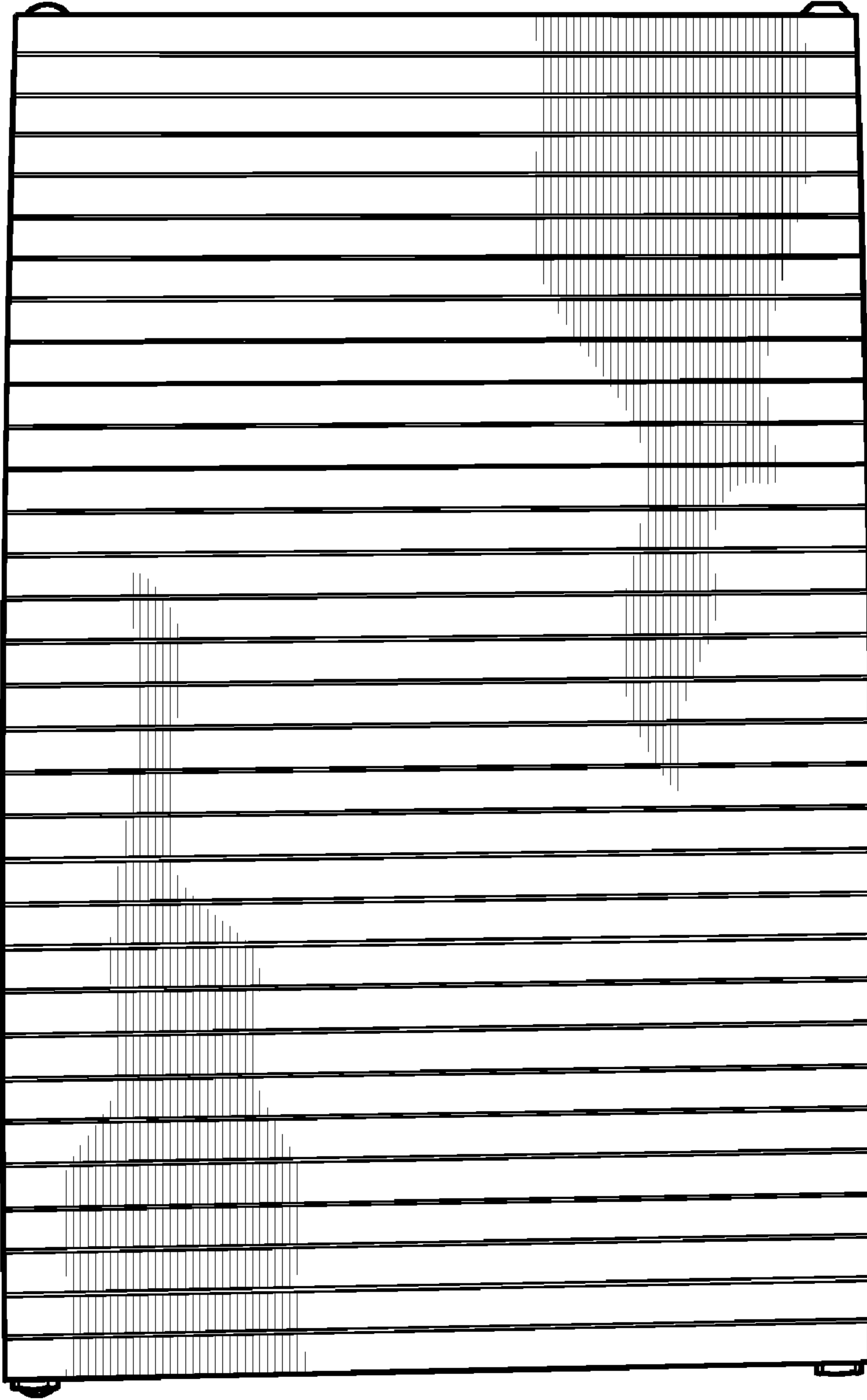


FIG. 1

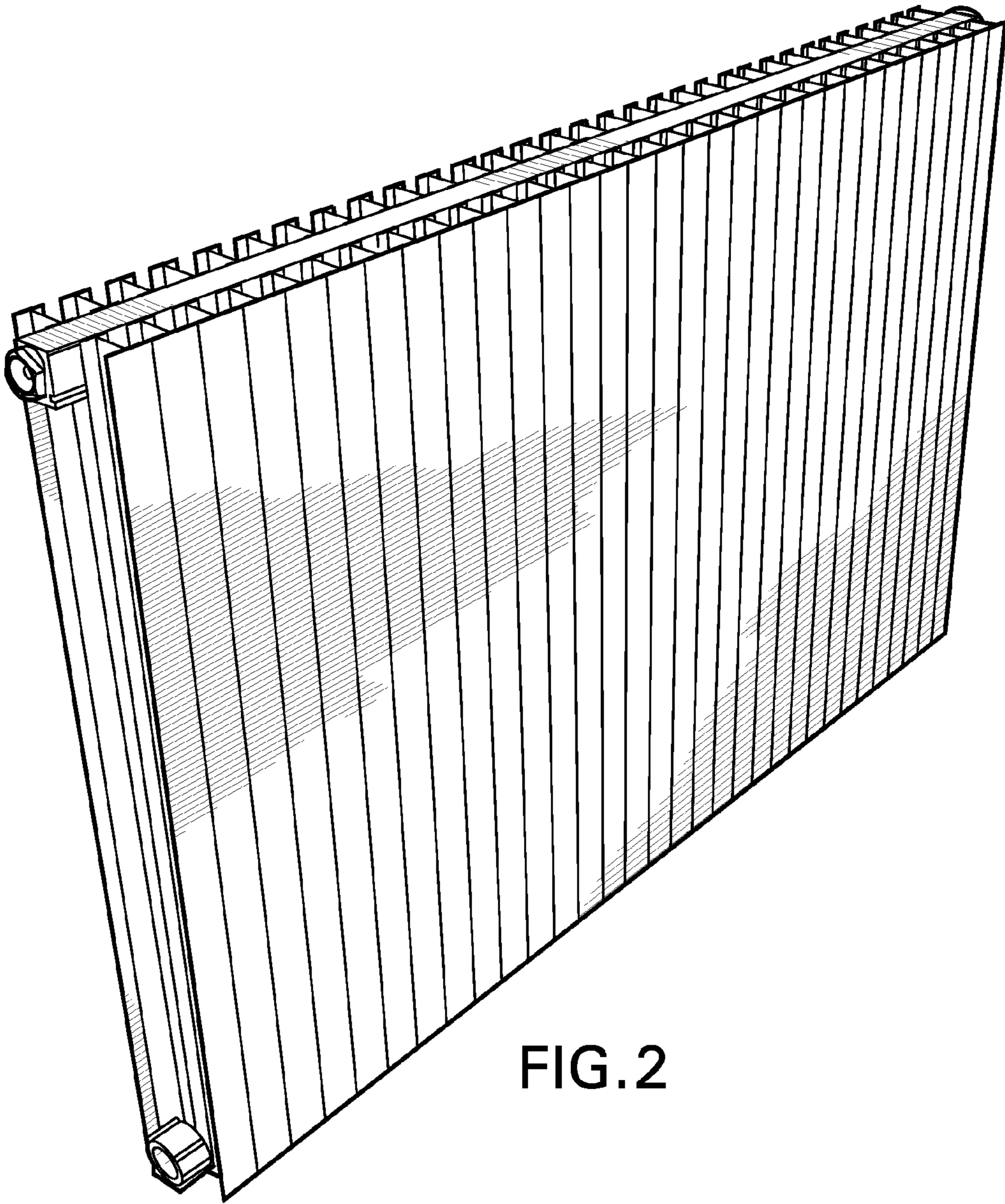


FIG. 2

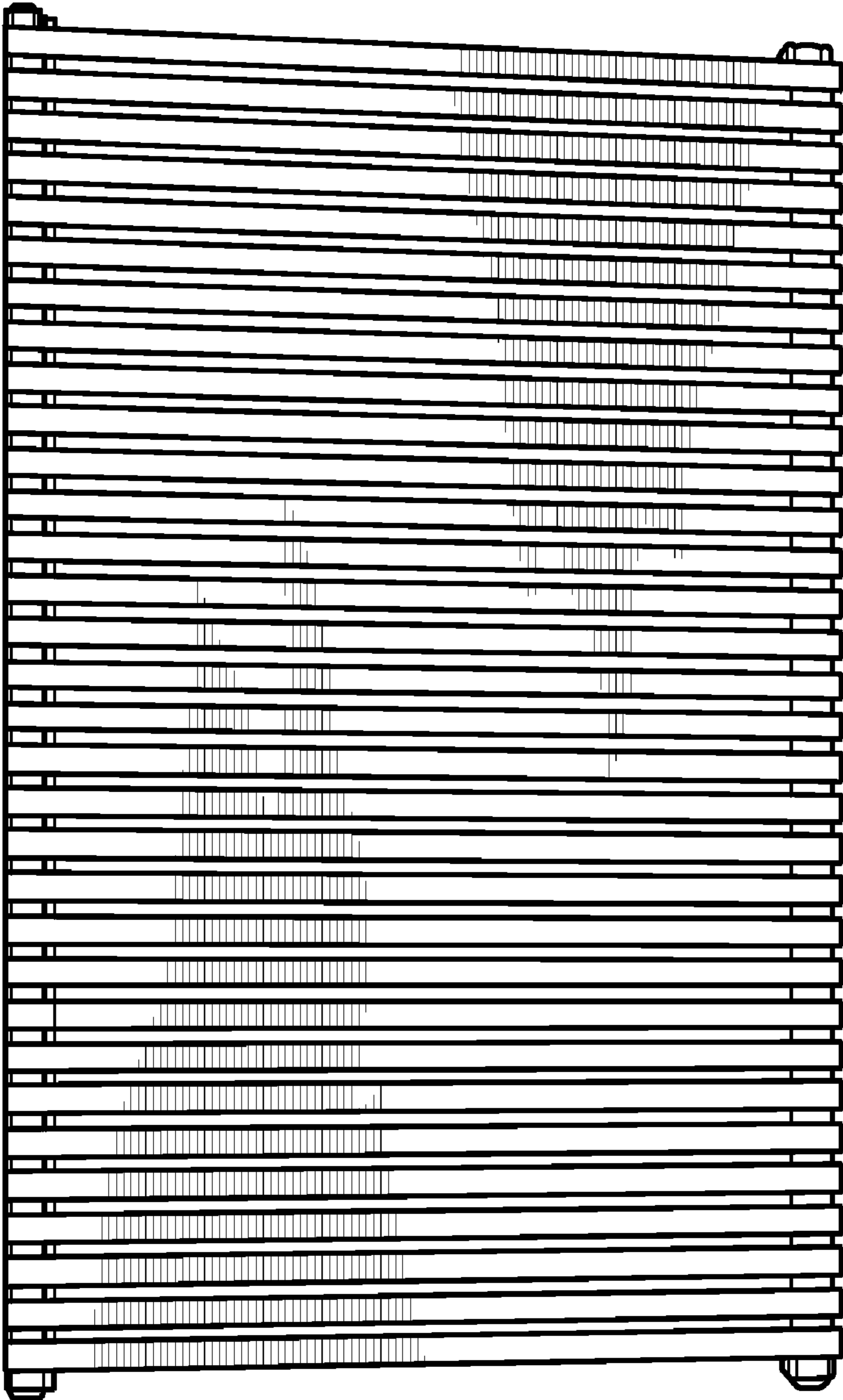


FIG. 3



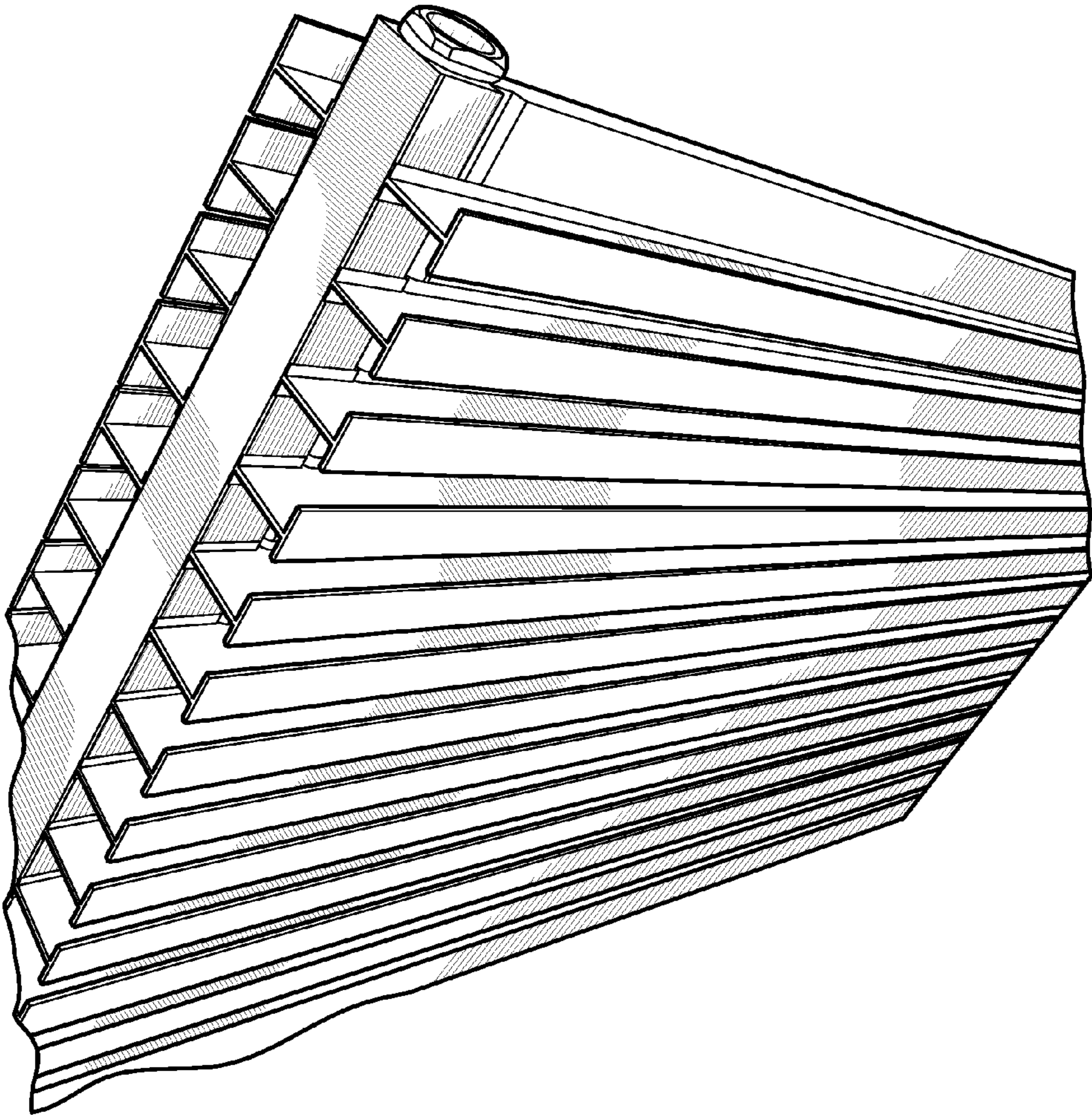


FIG. 4

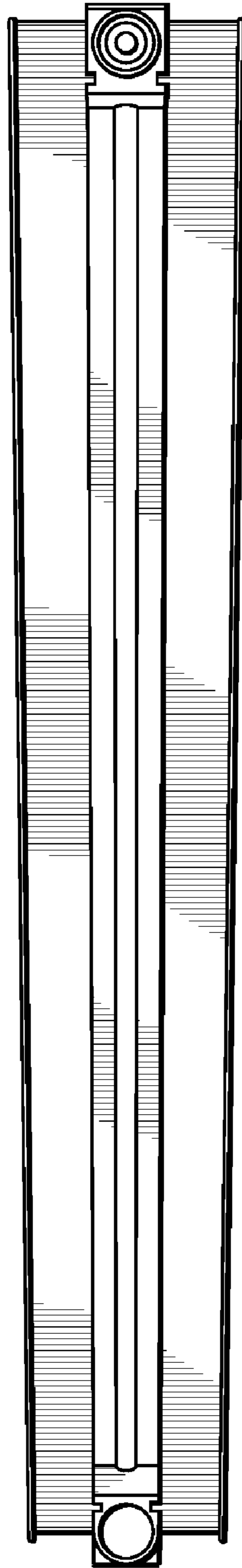


FIG. 5

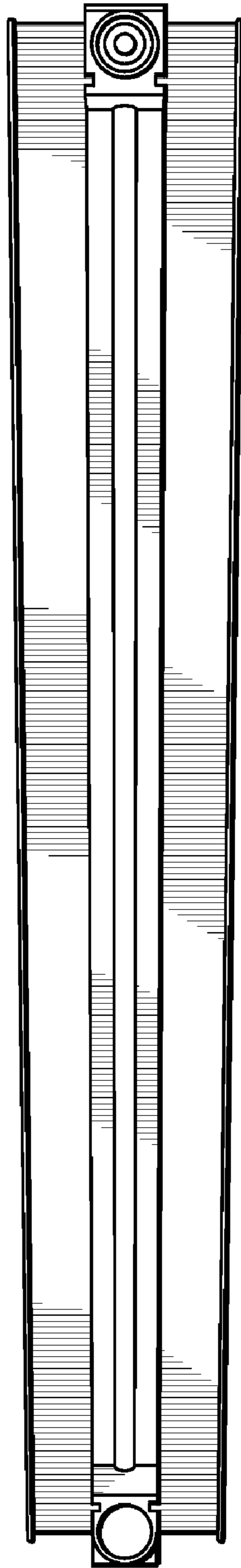


FIG. 6

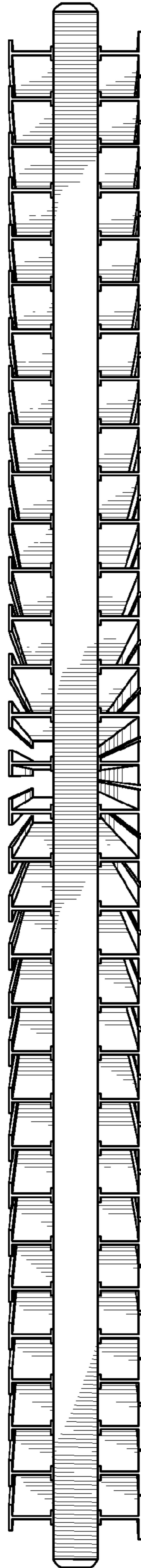


FIG. 7