



US00D619230S

(12) **United States Design Patent**  
**Cardenas**

(10) **Patent No.:** **US D619,230 S**  
(45) **Date of Patent:** **\*\* Jul. 6, 2010**

(54) **HYGIENIC TOILET SEAT AND LID COMBINATION UNIT**

(76) Inventor: **Ricardo Cardenas**, 4004 Lakeside Dr., San Jose, CA (US) 95148

(\*\*) Term: **14 Years**

(21) Appl. No.: **29/348,101**

(22) Filed: **Nov. 30, 2009**

(51) **LOC (9) Cl.** ..... **23-02**

(52) **U.S. Cl.** ..... **D23/311**

(58) **Field of Classification Search** ..... D23/303, D23/309, 311; 4/444, 234, 237, 242.1  
See application file for complete search history.

(56) **References Cited**

U.S. PATENT DOCUMENTS

D161,108 S *	12/1950	Kandarian	.....	D23/311
4,805,246 A	2/1989	Vargas et al.		
D326,599 S	6/1992	Callahan		
D376,841 S *	12/1996	Von Obenauer	.....	D23/311
5,729,839 A	3/1998	Bigelow		
D473,296 S *	4/2003	Tucci	.....	D23/311
D503,466 S *	3/2005	Davis	.....	D23/311

\* cited by examiner

*Primary Examiner*—Robert A Delehanty  
(74) *Attorney, Agent, or Firm*—Paul R. Martin

(57) **CLAIM**

The ornamental design for a hygienic toilet seat and lid combination unit, as shown and described.

**DESCRIPTION**

FIG. 1 is a perspective view from above of the hygienic toilet seat and lid combination unit of this invention.

FIG. 2 is a perspective view from the underside of the hygienic toilet seat and lid combination unit shown in FIG. 1.

FIG. 3 is a front elevational view of the hygienic toilet seat and lid combination unit shown in FIG. 1.

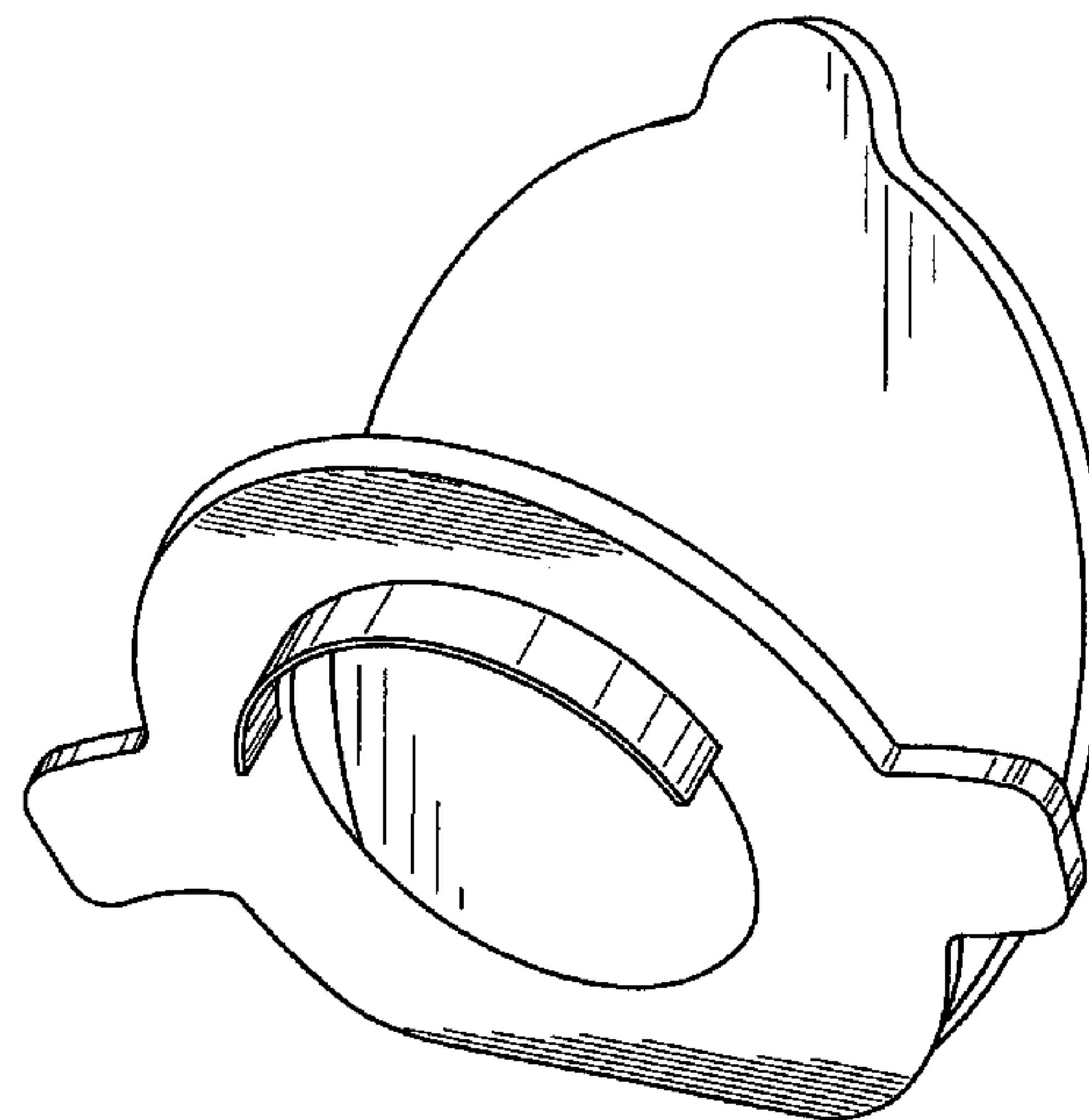
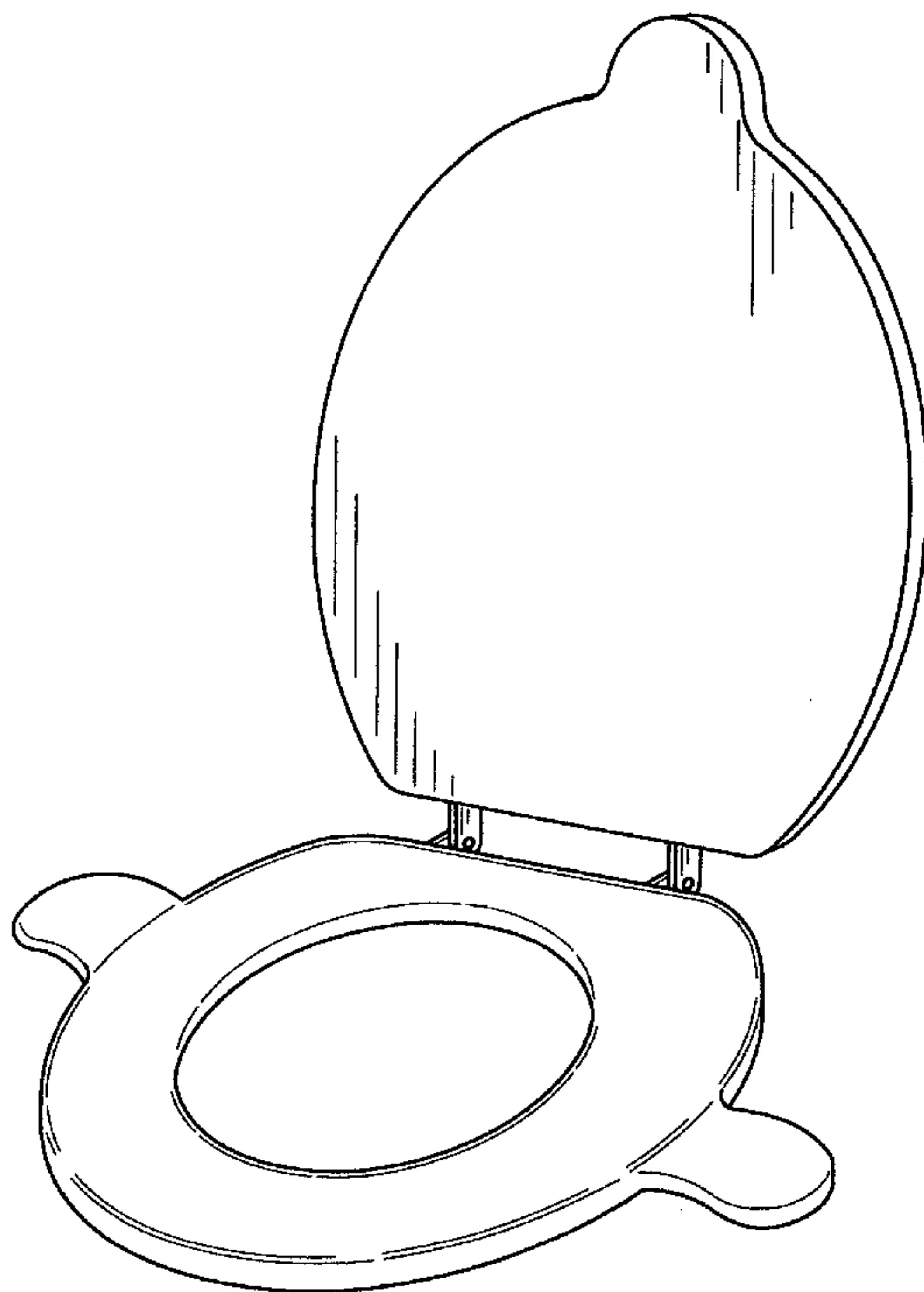
FIG. 4 is a top plan view of the hygienic toilet seat and lid combination unit shown in FIG. 1.

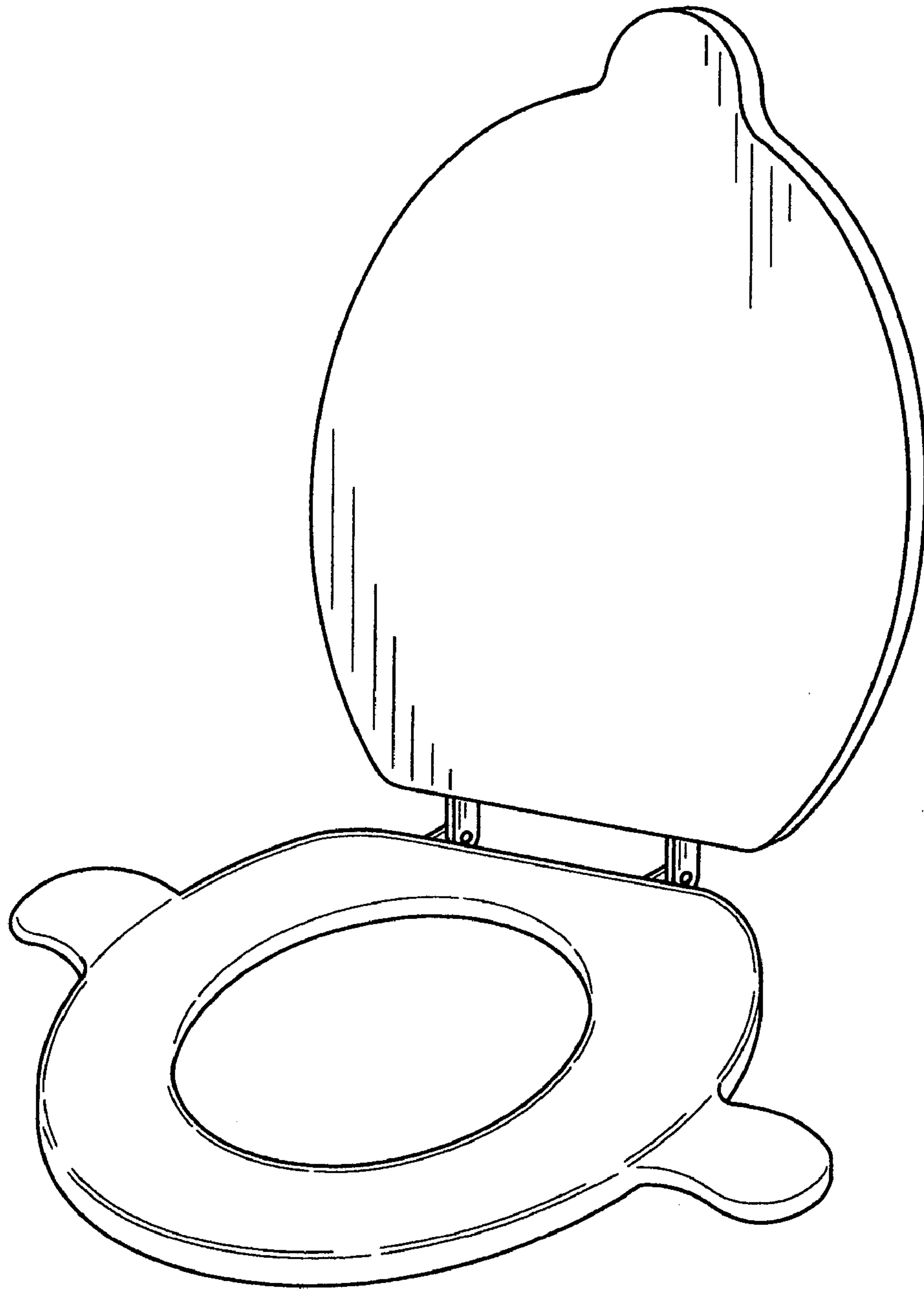
FIG. 5 is a bottom plan view of the hygienic toilet seat and lid combination unit shown in FIG. 1; and,

FIG. 6 is a side elevational view of the hygienic toilet seat and lid combination unit shown in FIG. 1.

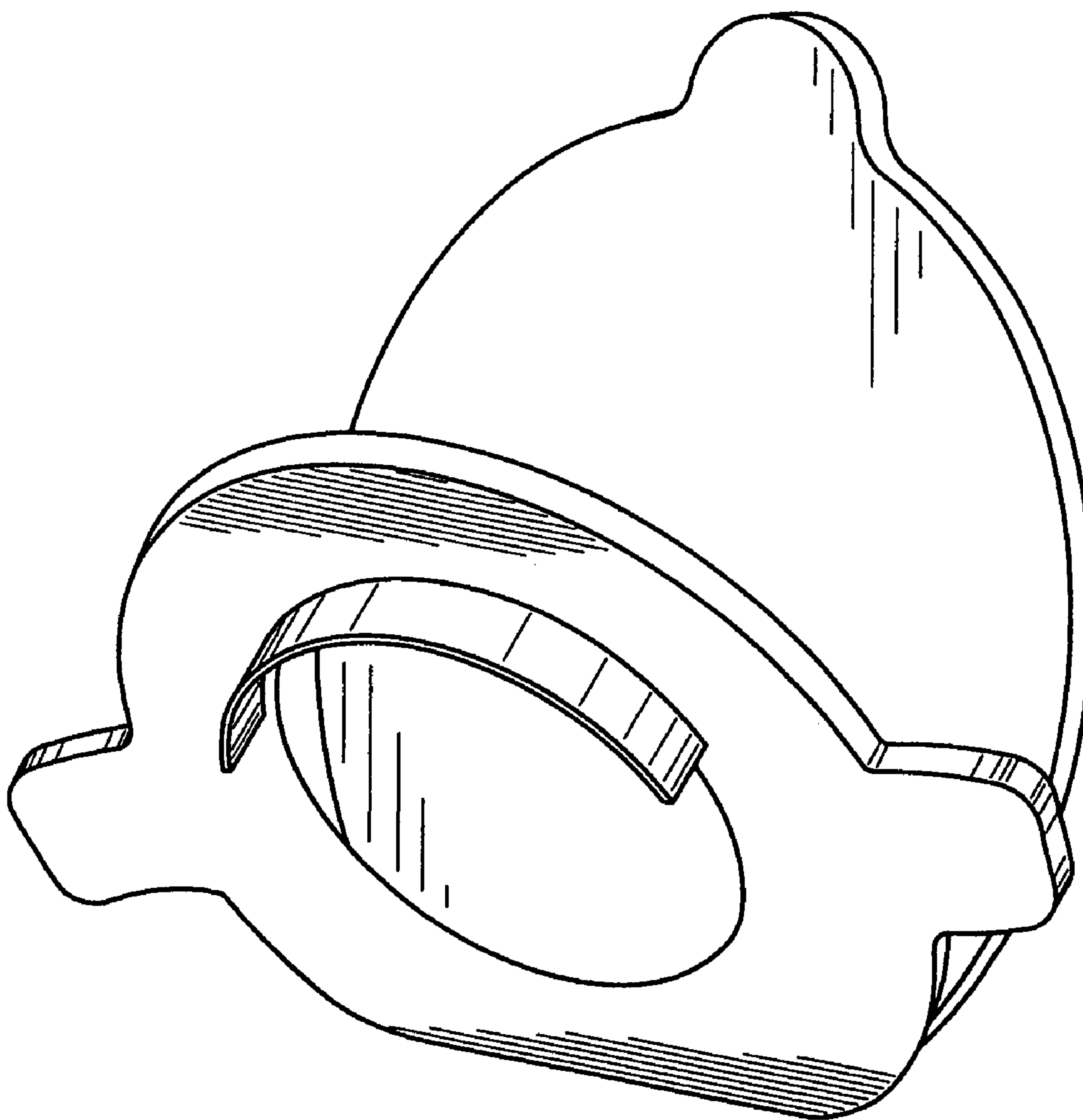
The view from the opposite side from that side shown in FIG. 6, is a mirror image thereof.

**1 Claim, 6 Drawing Sheets**

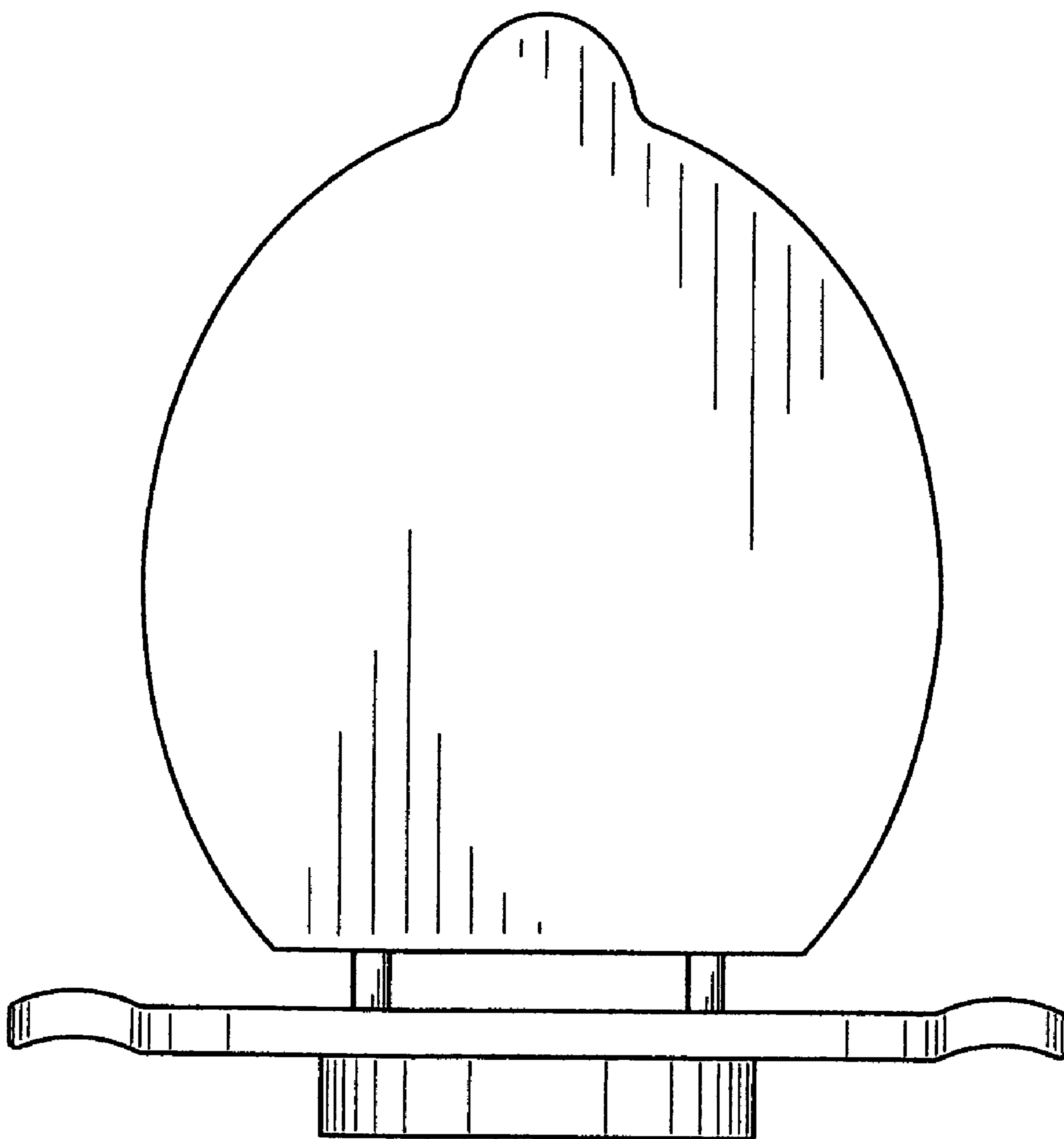




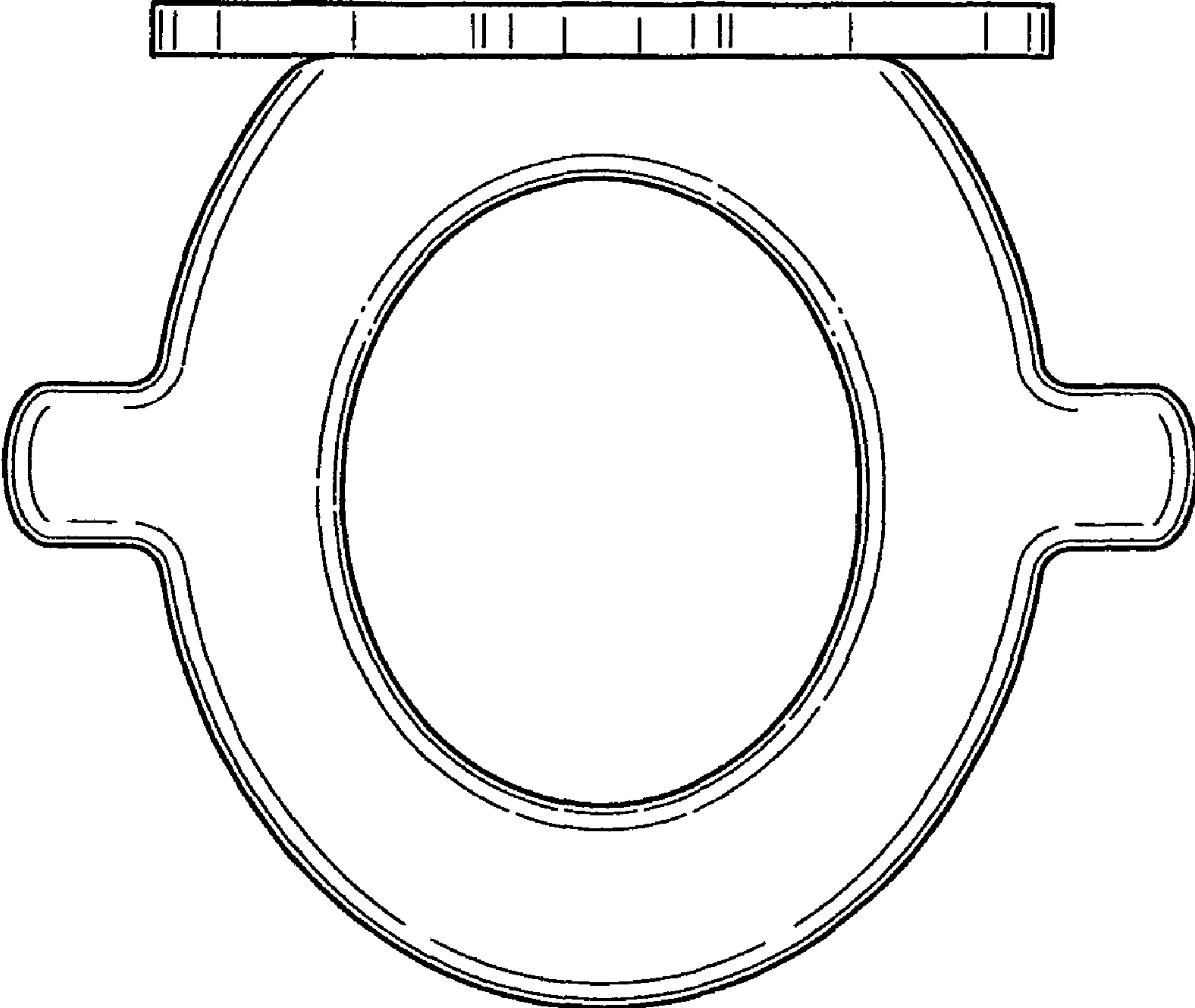
*FIG. 1*



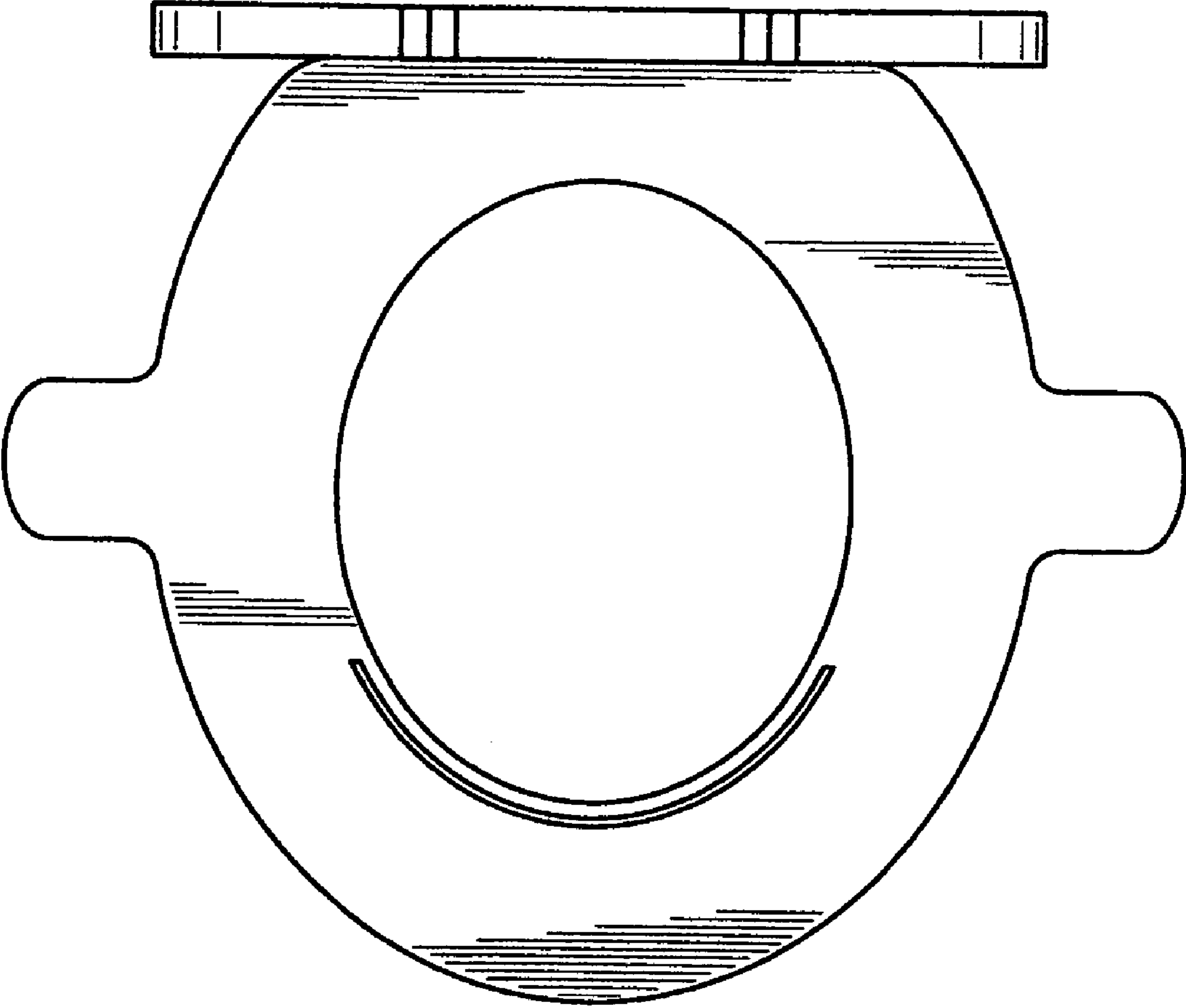
*FIG. 2*



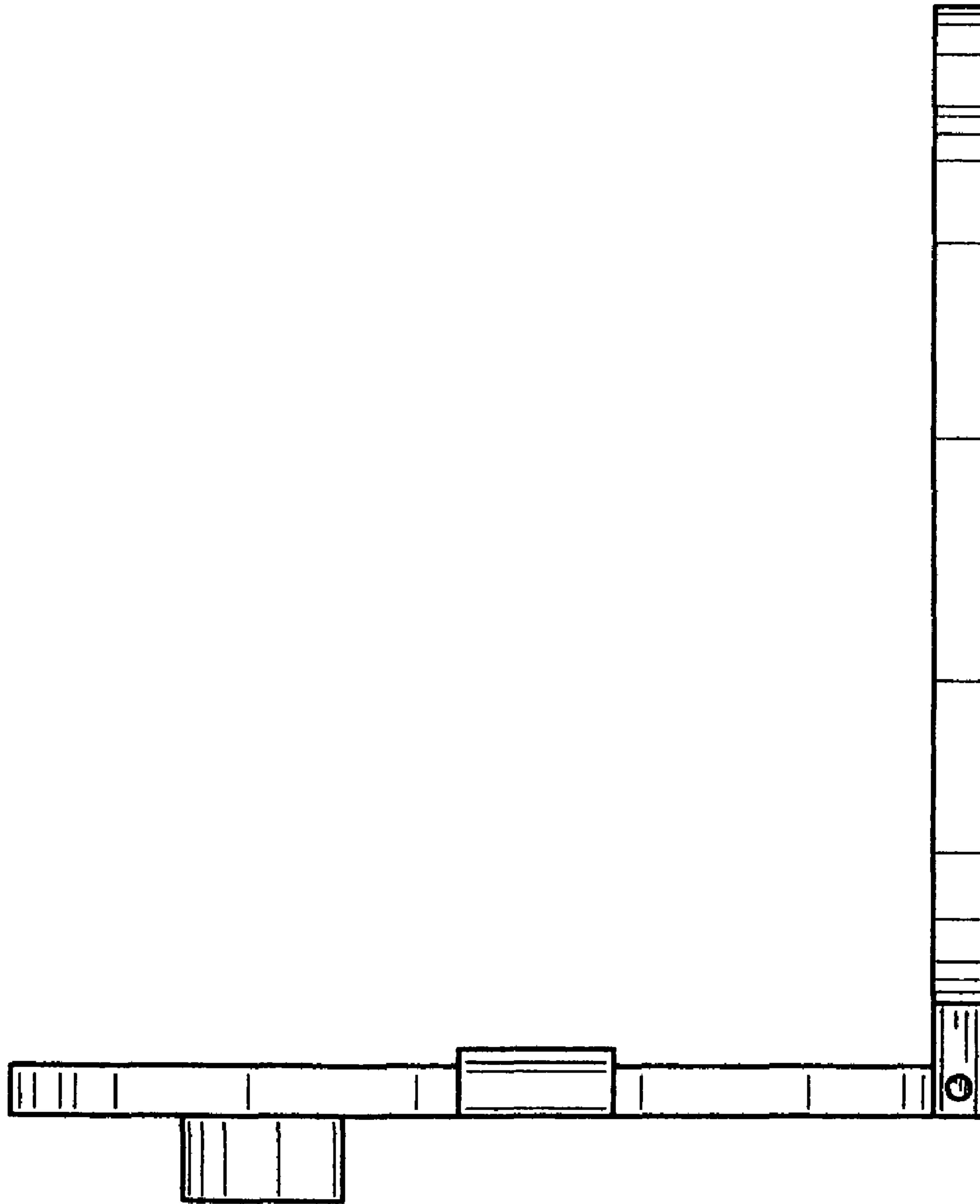
*FIG. 3*



*FIG. 4*



*FIG. 5*



*FIG. 6*