



US00D619229S

(12) **United States Design Patent**
Kwak

(10) **Patent No.:** **US D619,229 S**
(45) **Date of Patent:** **** Jul. 6, 2010**

(54) **COMBINATION TOILET WITH FLUSHLESS URINAL**

5,655,230 A 8/1997 Corbin
5,799,340 A 9/1998 Hubrig
5,819,331 A 10/1998 Miuccio
6,061,844 A 5/2000 Barton
D458,355 S 6/2002 Tanner

(76) Inventor: **Kenneth Kwak**, 2915 S. Beach Ave.,
Venice, CA (US) 90291

(**) Term: **14 Years**

* cited by examiner

(21) Appl. No.: **29/336,356**

Primary Examiner—Robert A Delehanty
(74) *Attorney, Agent, or Firm*—Cislo & Thomas, LLP

(22) Filed: **May 1, 2009**

(57) **CLAIM**

(51) **LOC (9) Cl.** **23-01**

(52) **U.S. Cl.** **D23/309**

(58) **Field of Classification Search** D23/302,
D23/274, 309, 303; 4/310, 311, 144.1, 340–342,
4/664–665

I claim the ornamental design for a combination toilet with flushless urinal, as shown and described herein.

See application file for complete search history.

DESCRIPTION

(56) **References Cited**

U.S. PATENT DOCUMENTS

1,002,508 A 9/1911 Faust
1,519,112 A 12/1924 Burger
3,735,428 A 5/1973 Olivero
4,197,598 A 4/1980 Lemmon
D283,834 S * 5/1986 Grudzinskas D23/271
5,050,348 A 9/1991 Olivero
5,301,374 A 4/1994 Smiley
5,345,619 A 9/1994 Harrington
D352,349 S * 11/1994 Kergoet et al. D23/302
5,390,374 A 2/1995 Hubrig

FIG. 1. Is a perspective view of my combination toilet with flushless urinal;

FIG. 2. Is a front view thereof;

FIG. 3. Is a rear view thereof;

FIG. 4. Is a top view thereof;

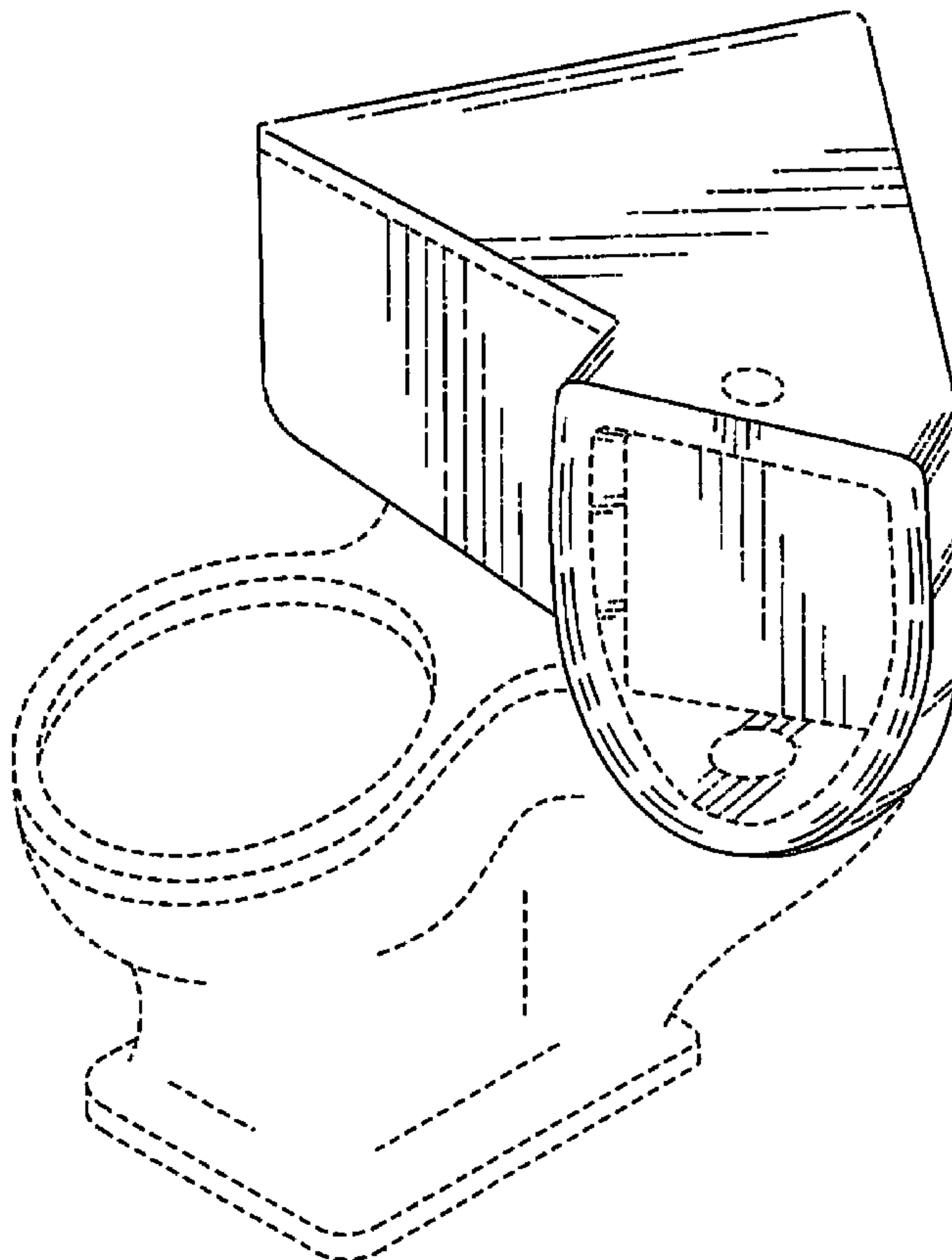
FIG. 5. Is a bottom view thereof;

FIG. 6. Is a right view thereof; and,

FIG. 7. Is a left view thereof.

The broken line portions of the disclosure are for illustrative purposes only and form no part of the claimed design.

1 Claim, 7 Drawing Sheets



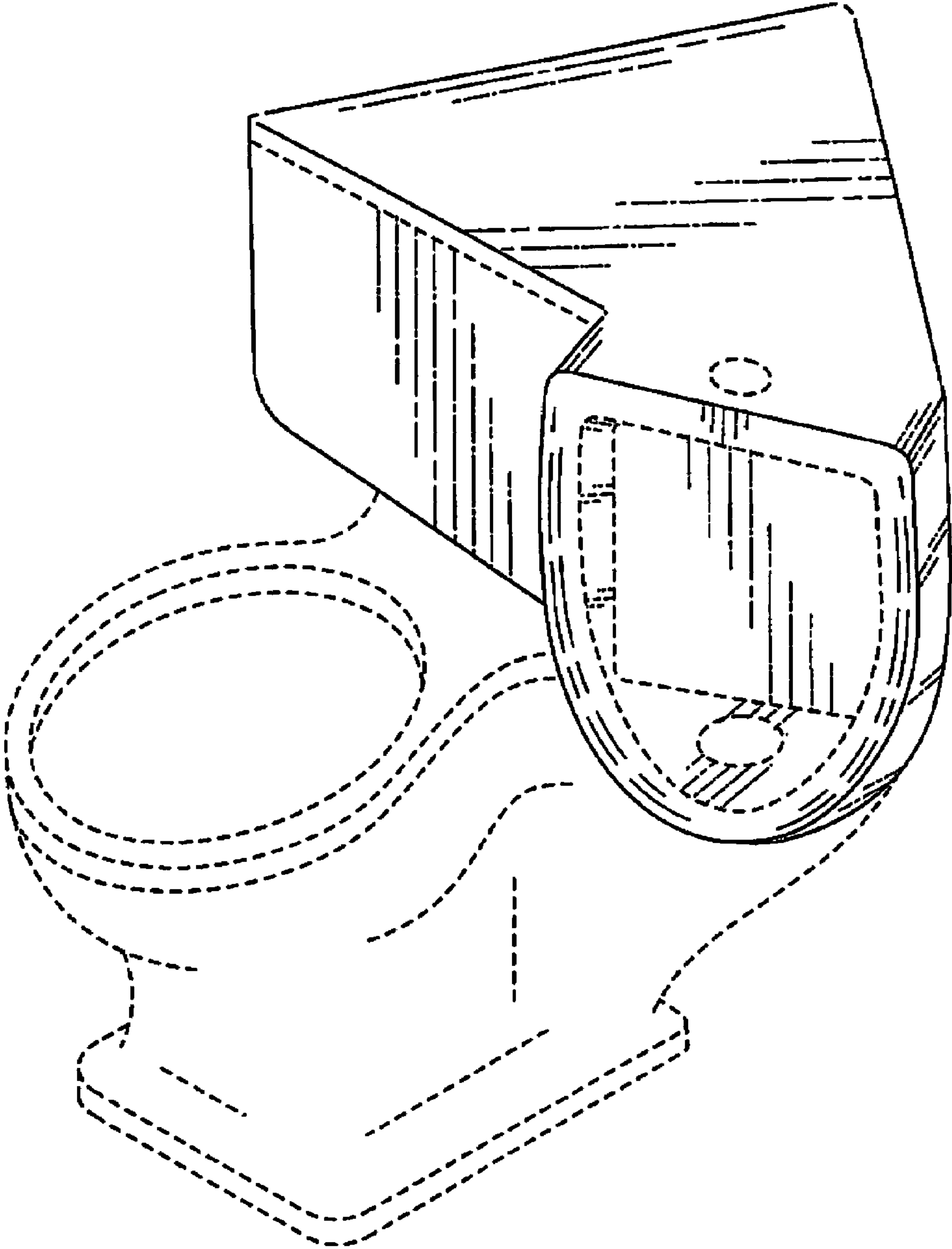


FIG. 1

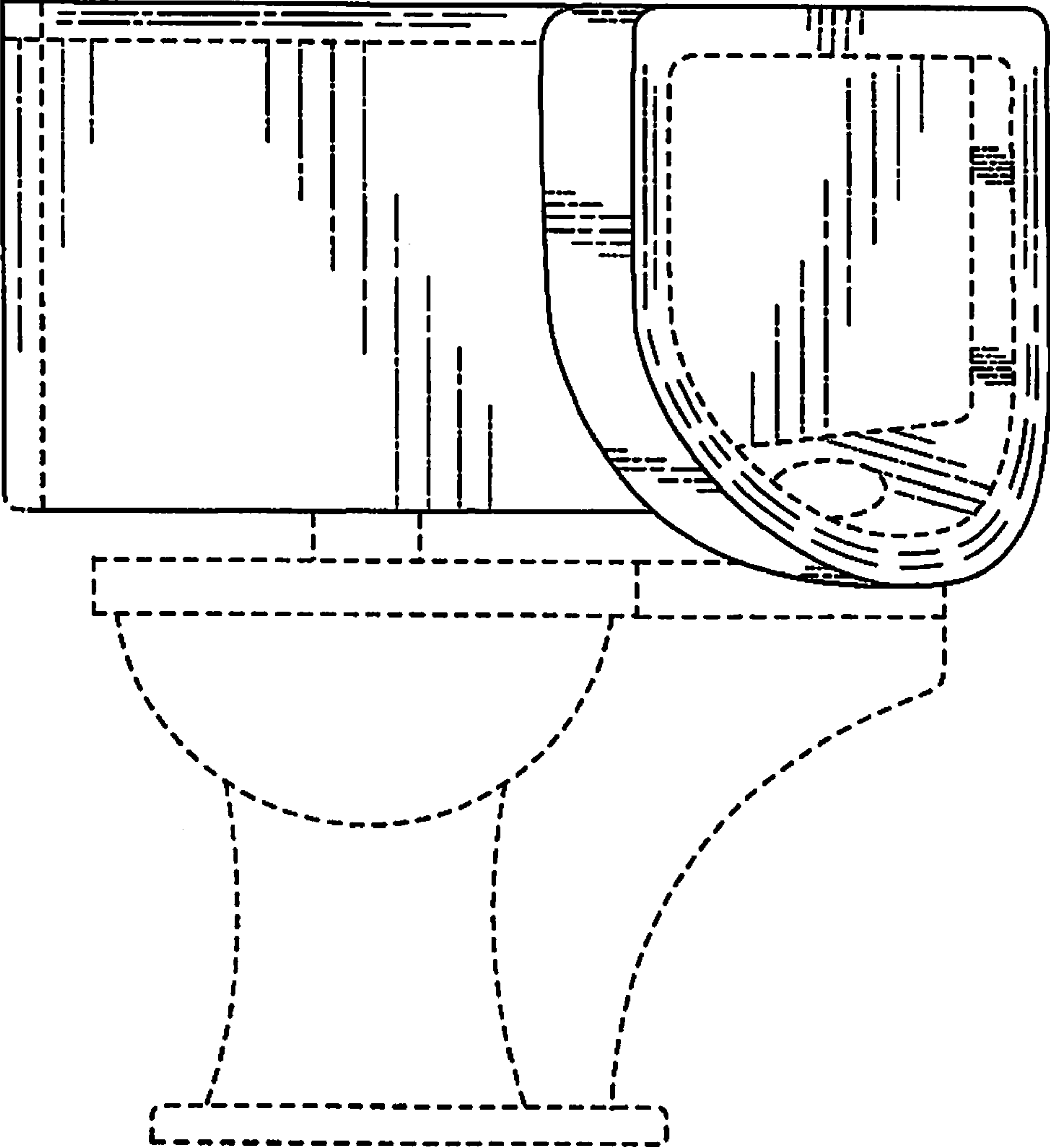


FIG. 2

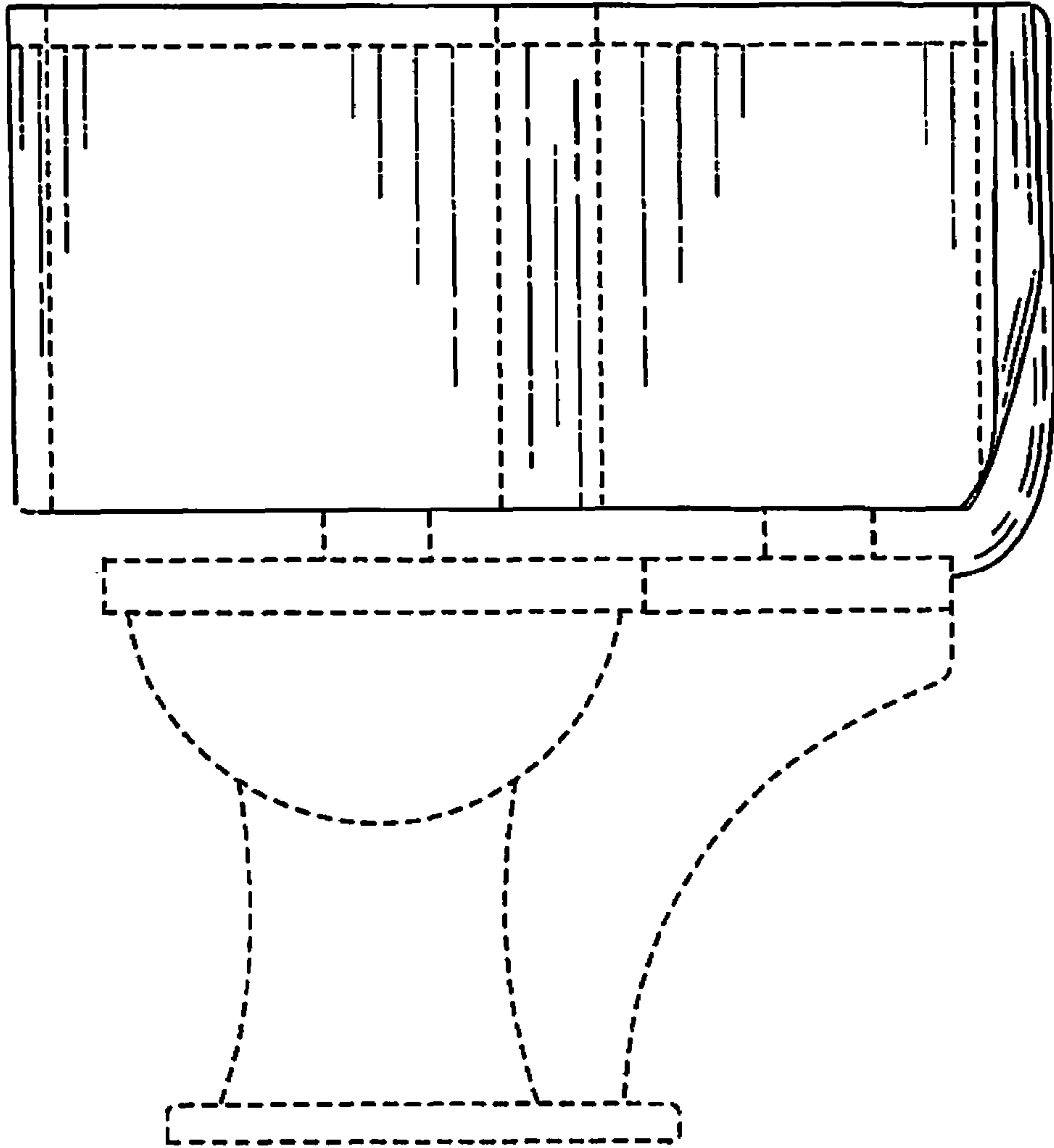


FIG. 3

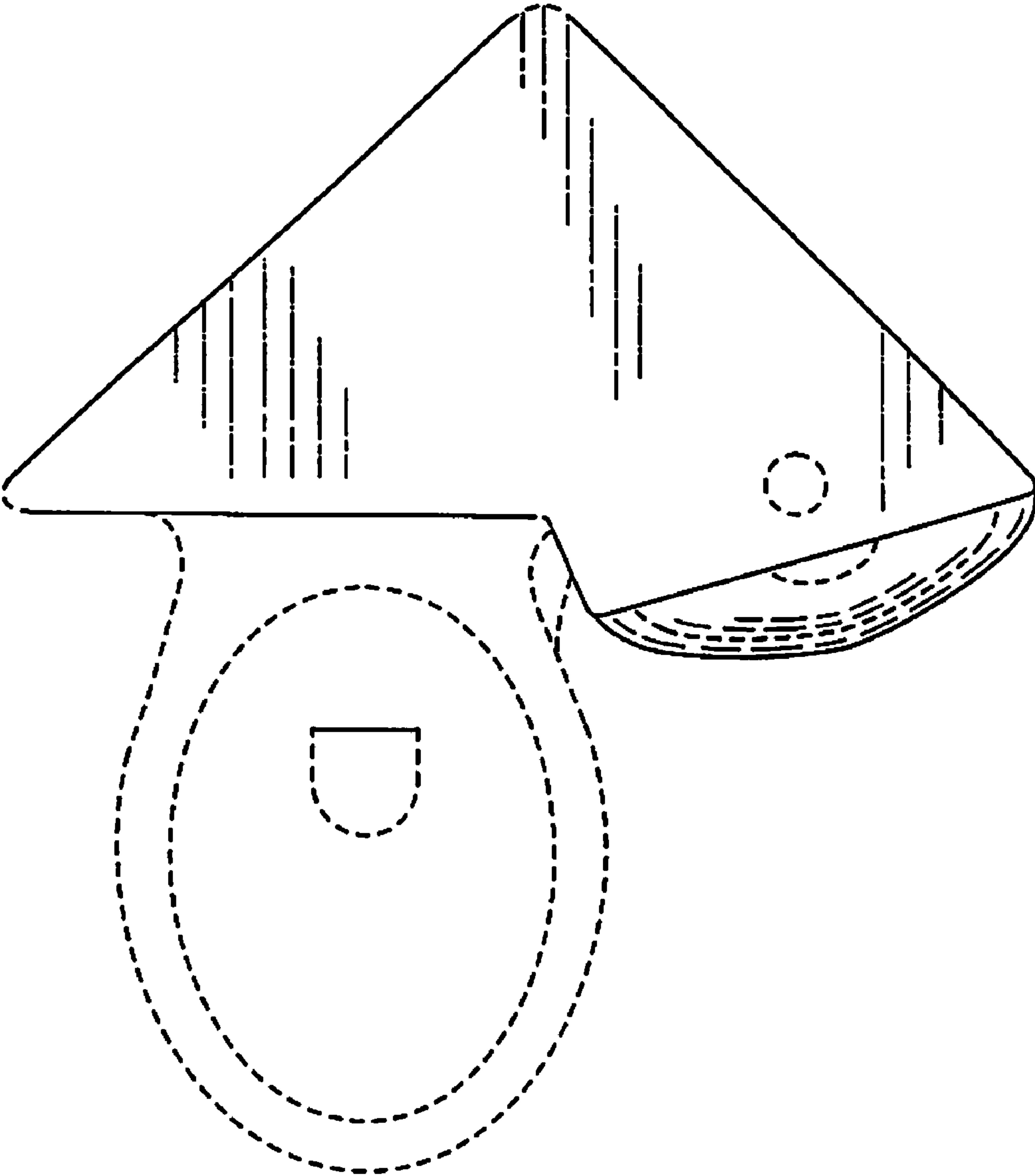


FIG. 4

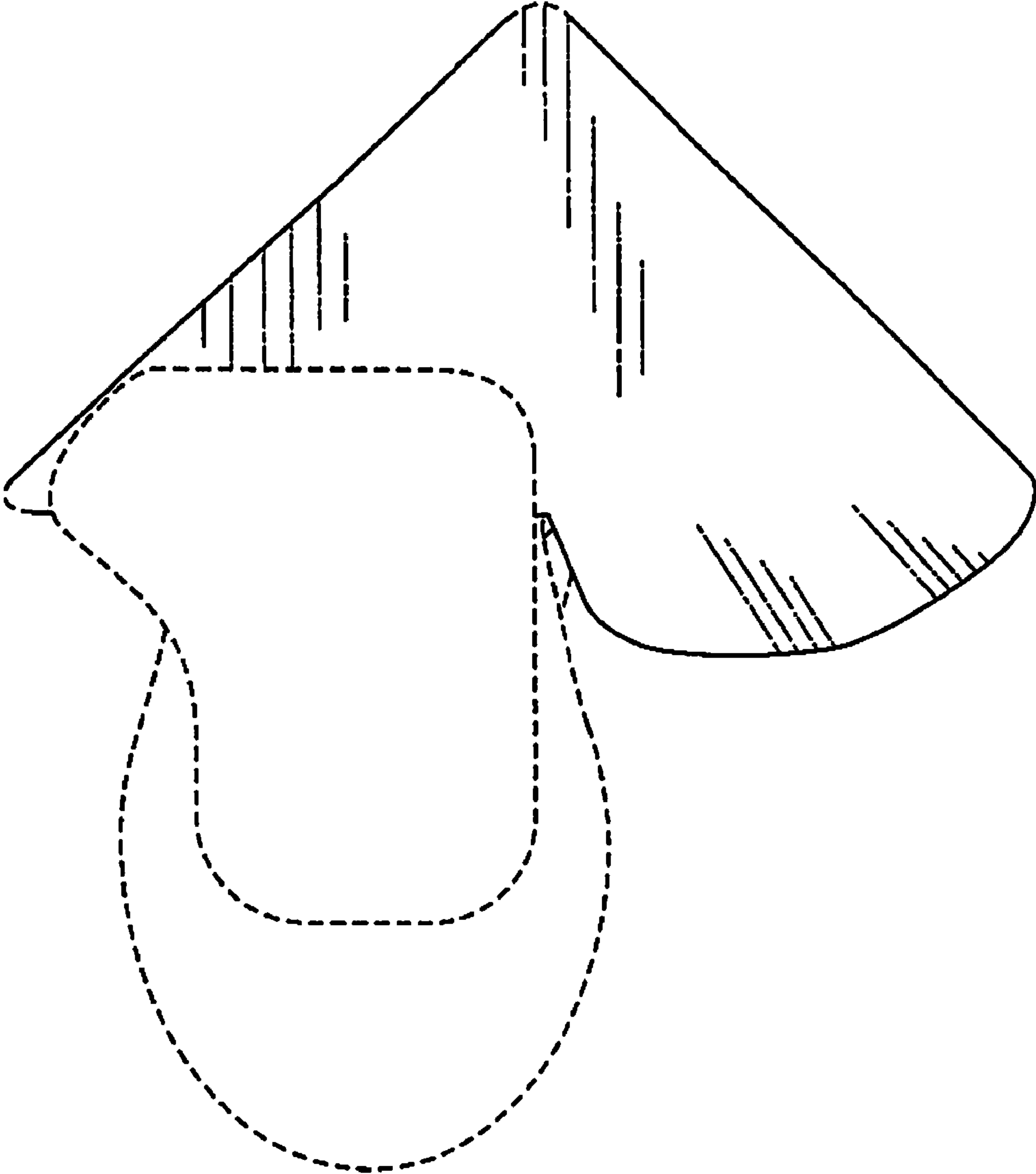


FIG. 5

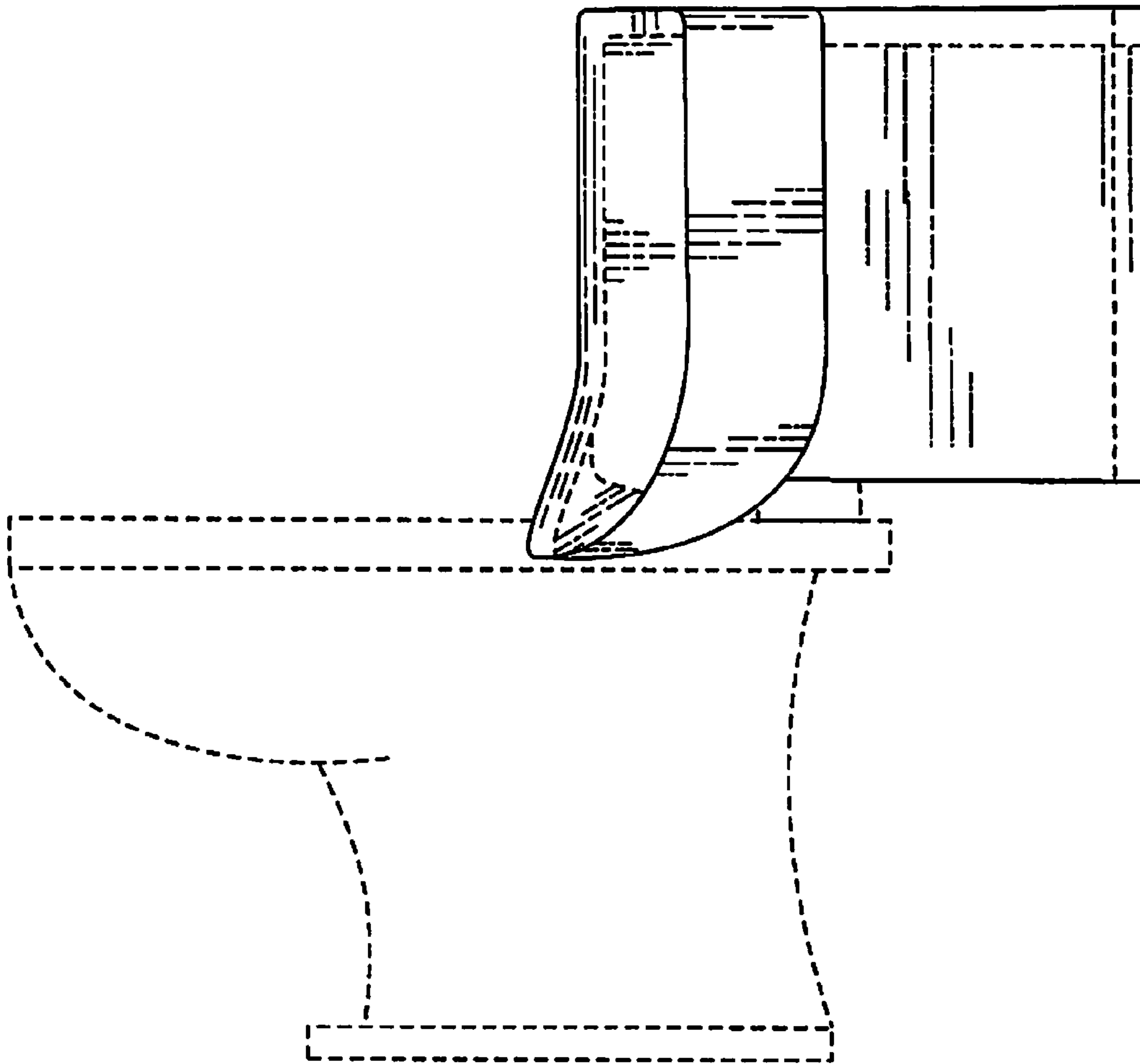


FIG. 6

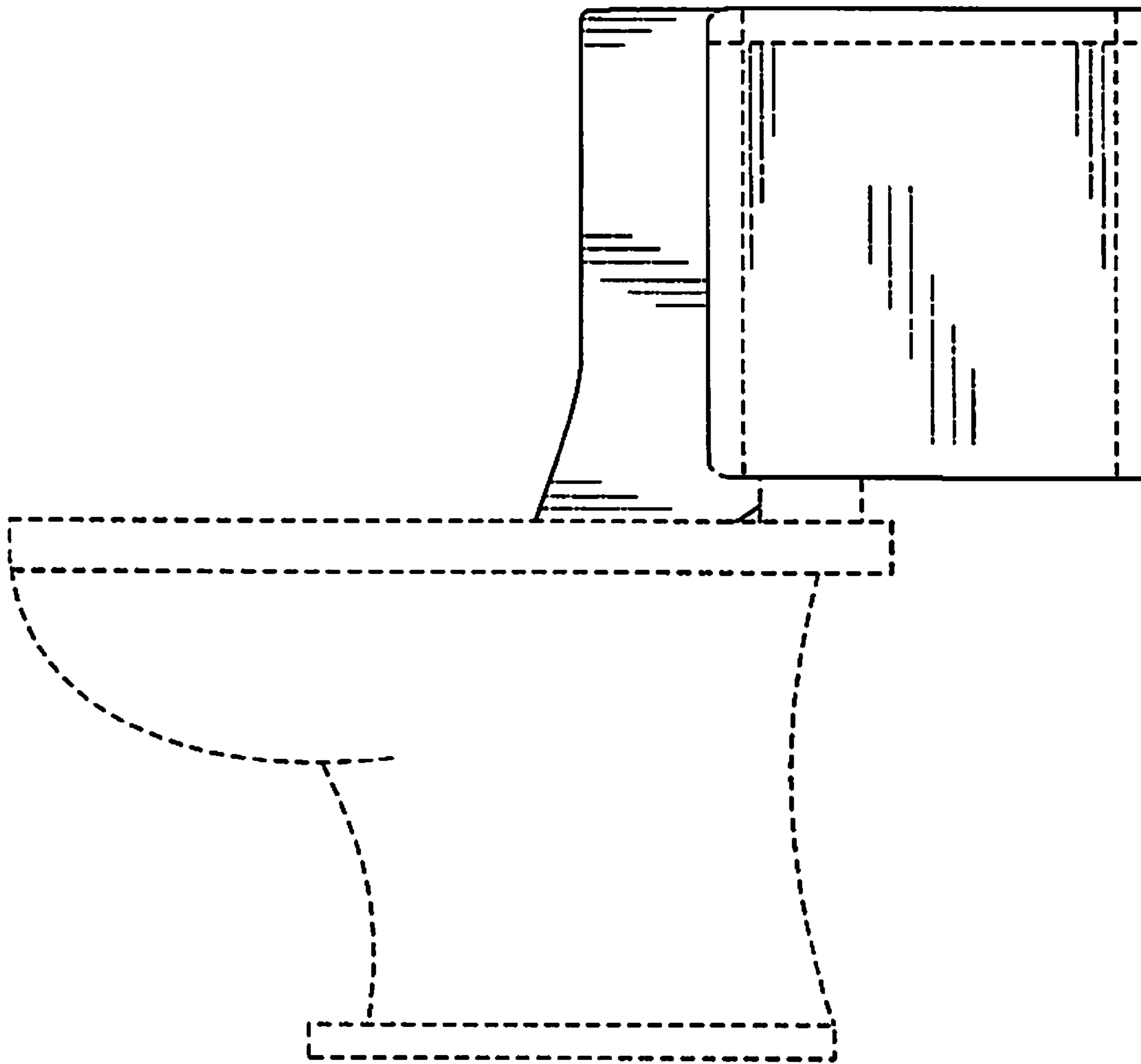


FIG. 7