



US00D619228S

(12) **United States Design Patent**
Hardwick et al.

(10) **Patent No.:** **US D619,228 S**
(45) **Date of Patent:** **** Jul. 6, 2010**

(54) **VACUUM WASTE SYSTEM**

(75) Inventors: **Christopher Hardwick**, Roscoe, IL (US); **Mark A. Pondelick**, Rockford, IL (US); **Thao Hoang**, Rockford, IL (US); **Steven Whisler**, San Juan Capistrano, CA (US)

(73) Assignee: **B/E Aerospace, Inc.**, Wellington, FL (US)

(**) Term: **14 Years**

(21) Appl. No.: **29/325,727**

(22) Filed: **Oct. 3, 2008**

(51) **LOC (9) Cl.** **23-02**

(52) **U.S. Cl.** **D23/309**

(58) **Field of Classification Search** D23/273-274, D23/295, 301, 303, 309, 313; 4/300, 329, 4/353, 420; D7/700

See application file for complete search history.

(56) **References Cited**

U.S. PATENT DOCUMENTS

3,411,162 A 11/1968 Palmer
4,546,502 A 10/1985 Lew

5,231,706 A 8/1993 Kendall
D345,596 S * 3/1994 Tyler D23/295
6,212,700 B1 4/2001 Giesler et al.
6,347,416 B1 2/2002 Anderson et al.
D467,338 S 12/2002 Rehrig
6,536,054 B2 3/2003 Anderson et al.
6,704,947 B2 * 3/2004 Stradinger et al. 4/431

* cited by examiner

Primary Examiner—Robert A Delehanty

(74) *Attorney, Agent, or Firm*—Drinker Biddle & Reath LLP

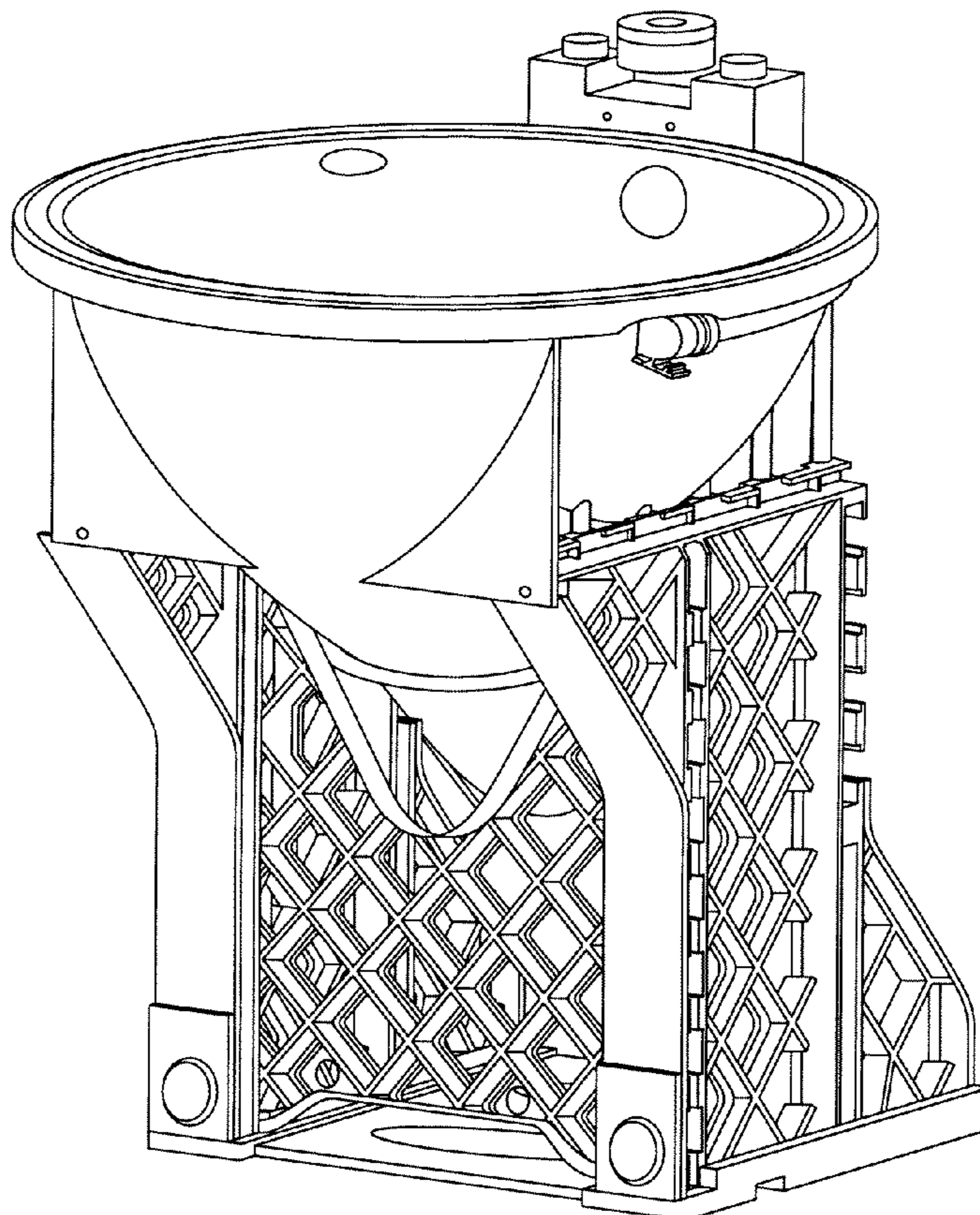
(57) **CLAIM**

We claim the ornamental design for a vacuum waste system, as shown and described.

DESCRIPTION

FIG. 1 is a front perspective view of a vacuum waste system; FIG. 2 is a front view of the design of FIG. 1; FIG. 3 is a side view of the design of FIG. 1; FIG. 4 is another side view of the design of FIG. 1; FIG. 5 is a rear view of the design of FIG. 1; FIG. 6 is a top view of the design of FIG. 1; and, FIG. 7 is a bottom view of the design of FIG. 1.

1 Claim, 7 Drawing Sheets



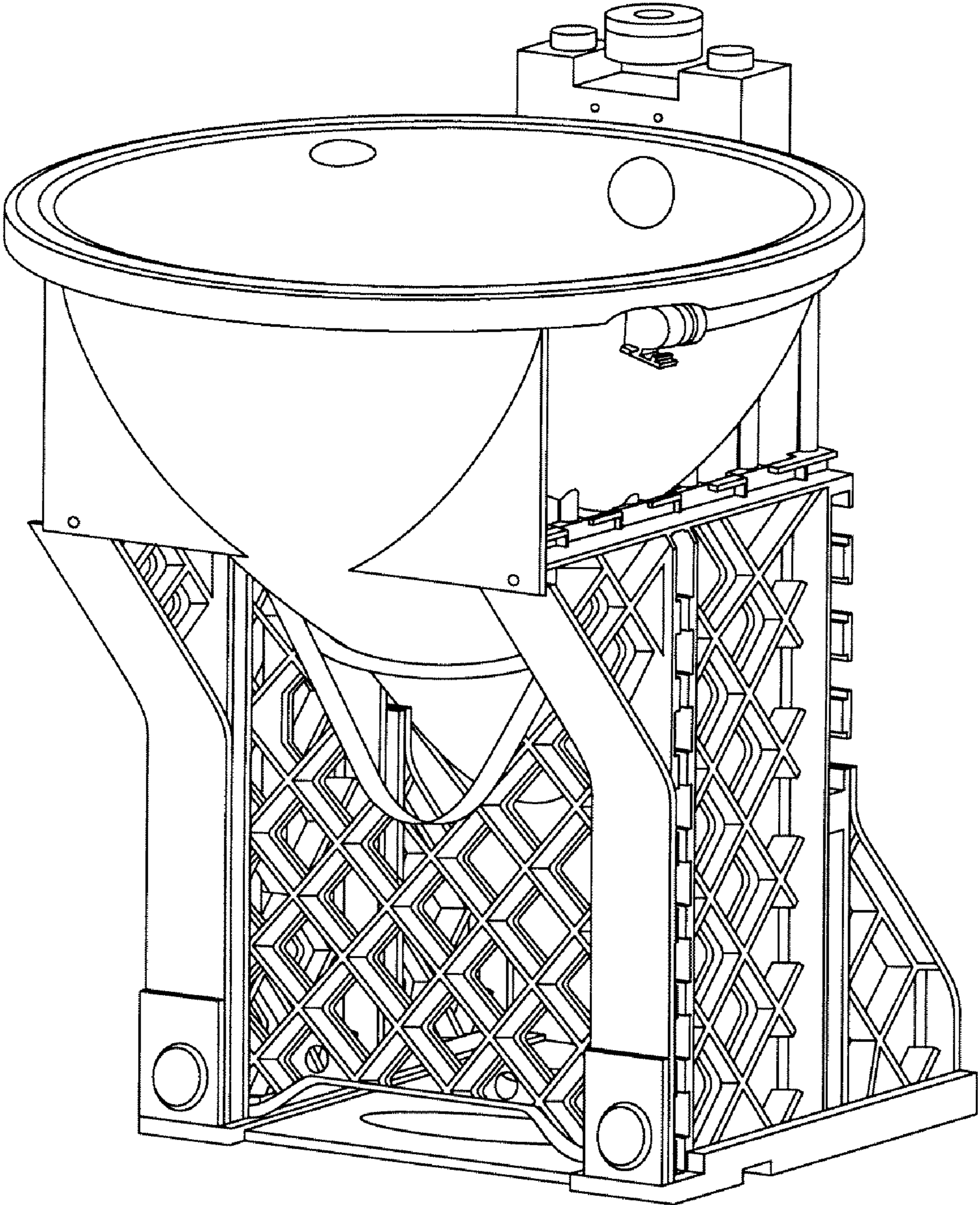


FIG. 1

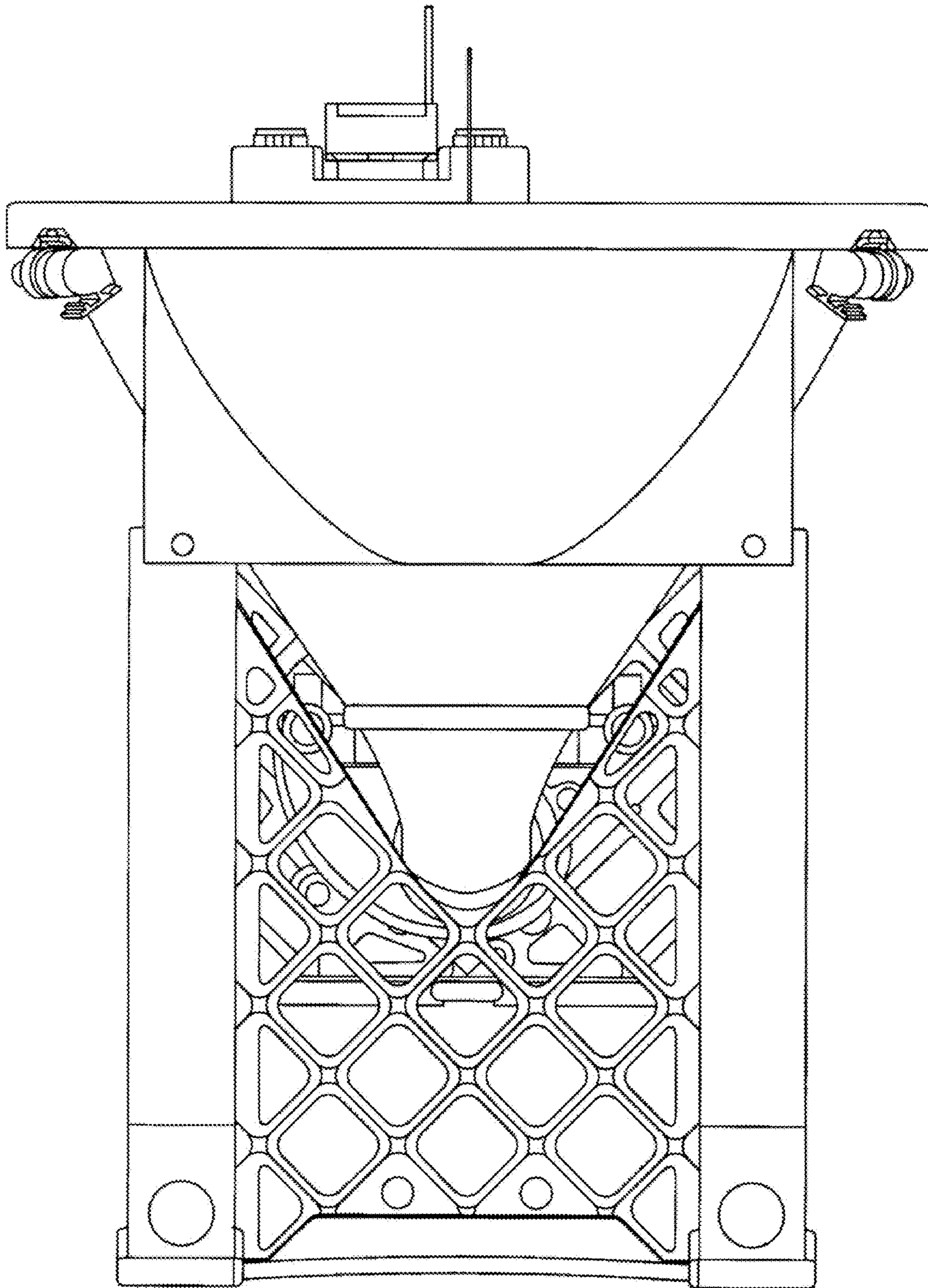


FIG. 2

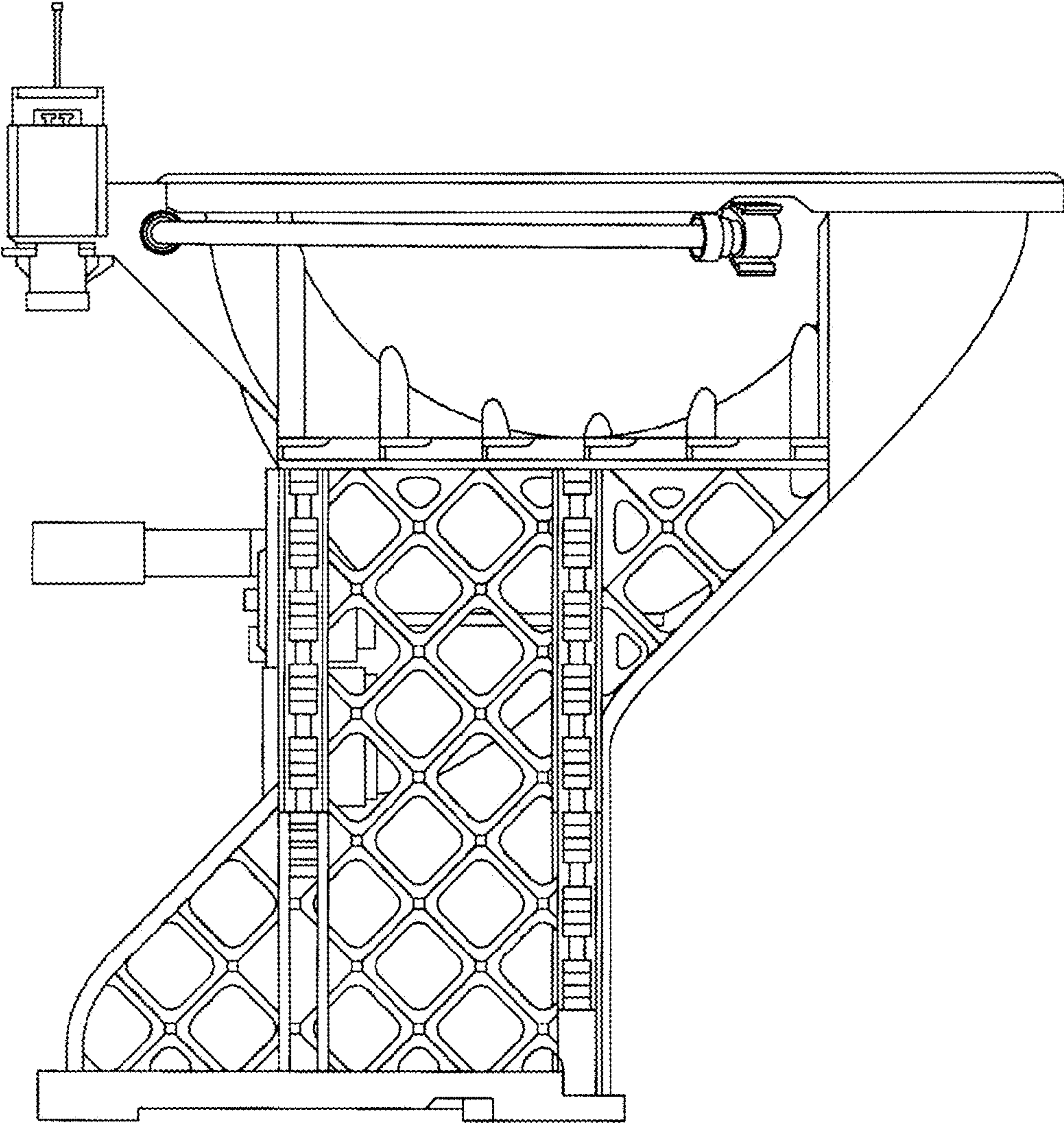


FIG. 3

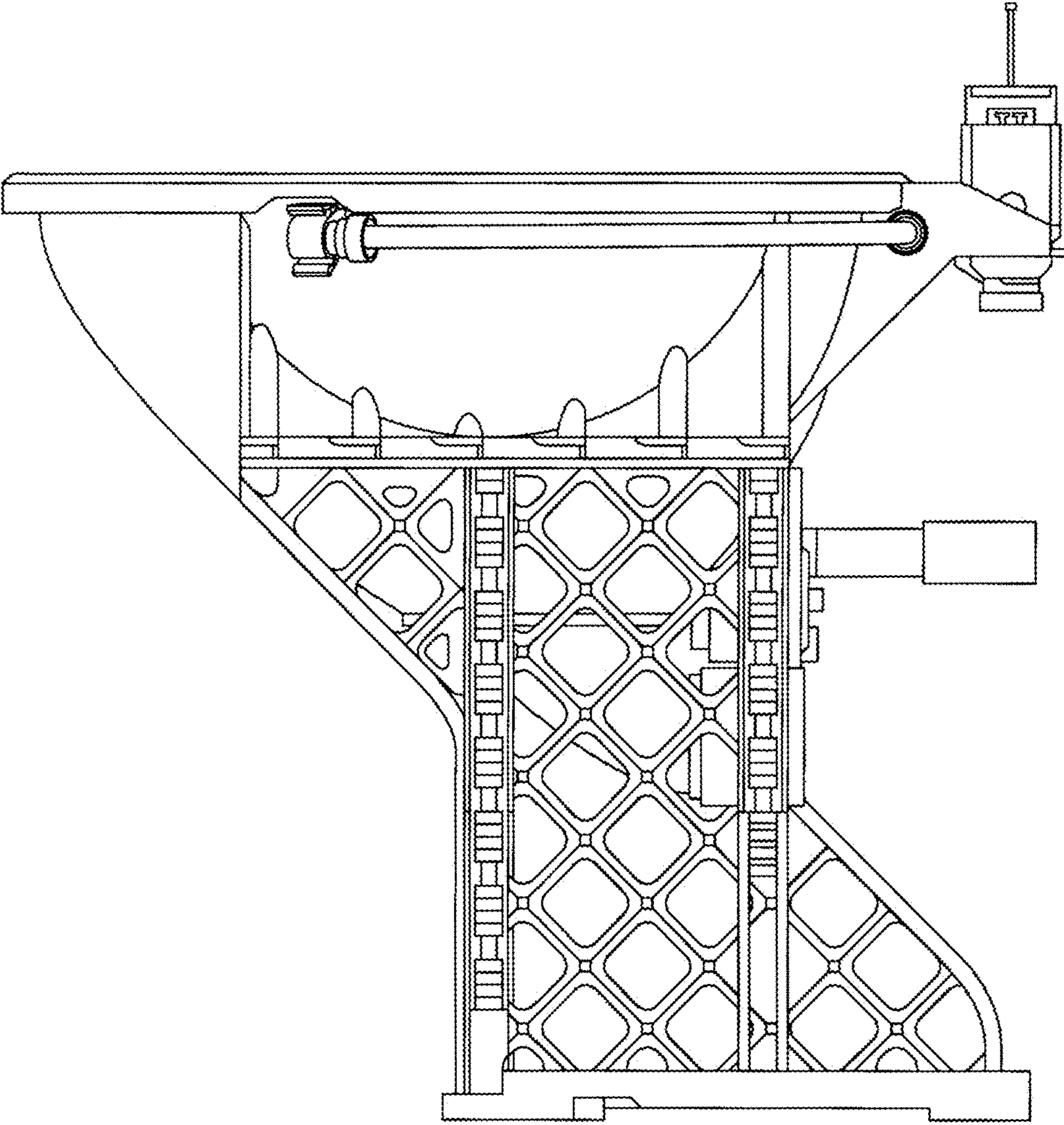


FIG. 4

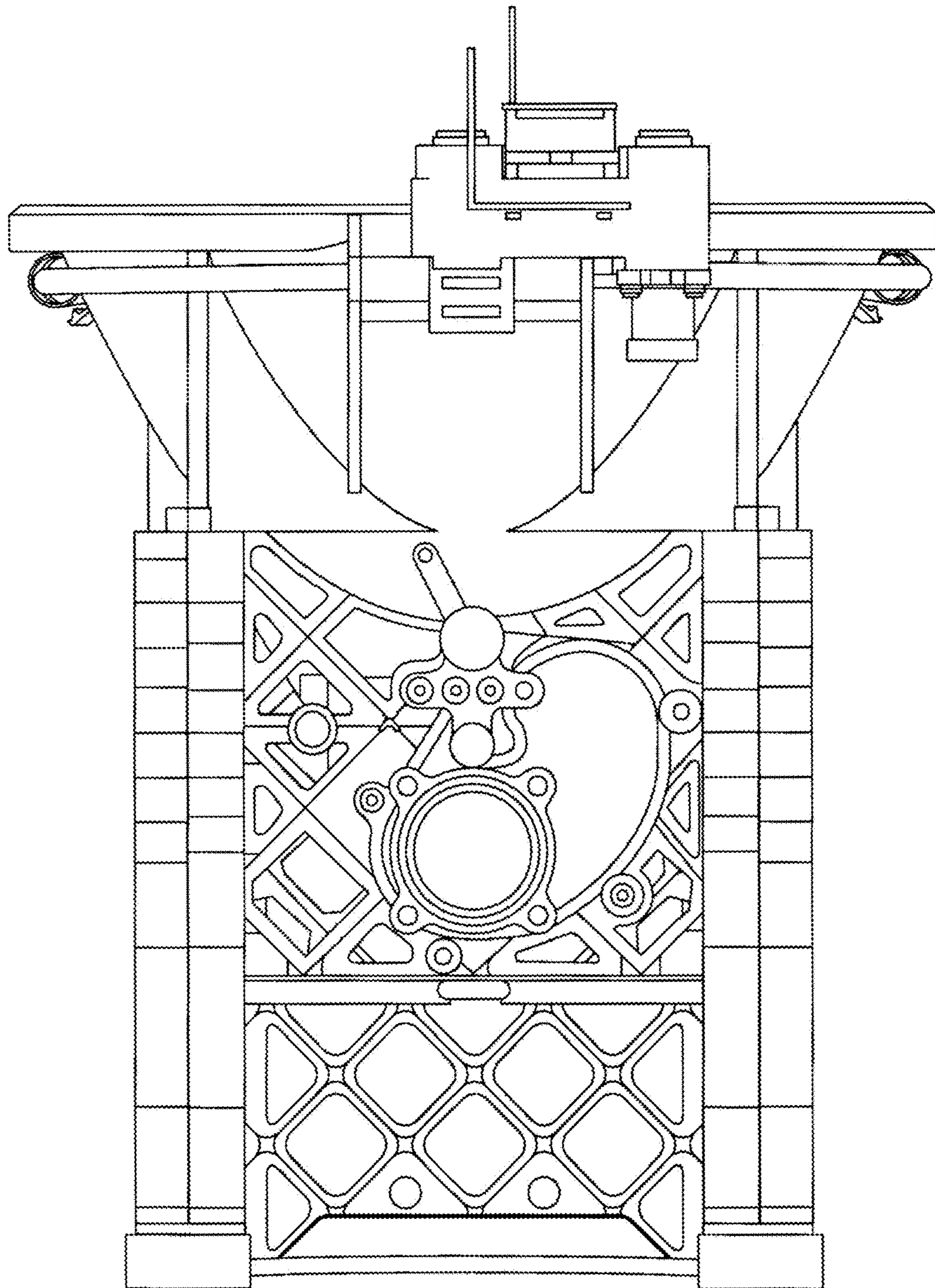


FIG. 5

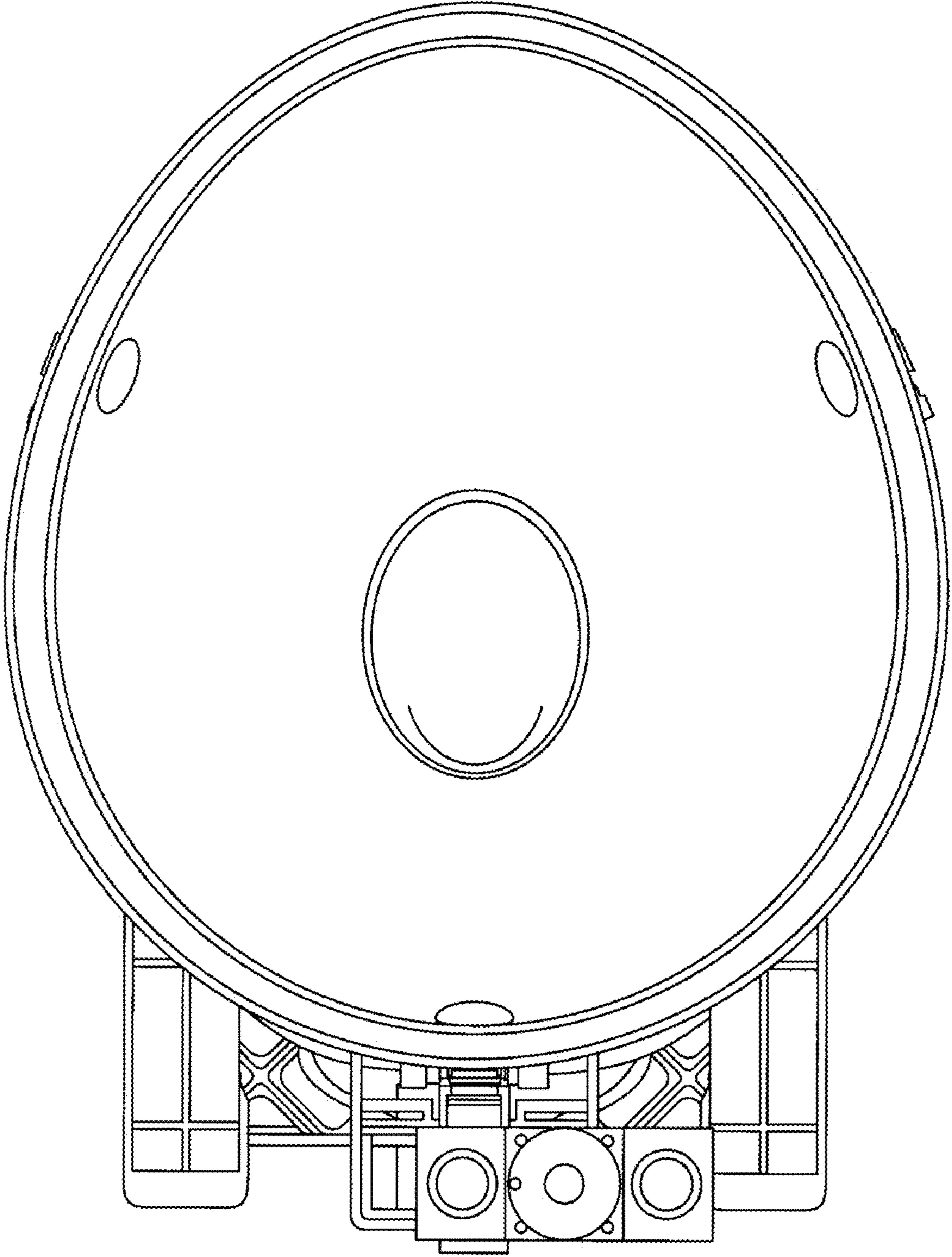


FIG.6

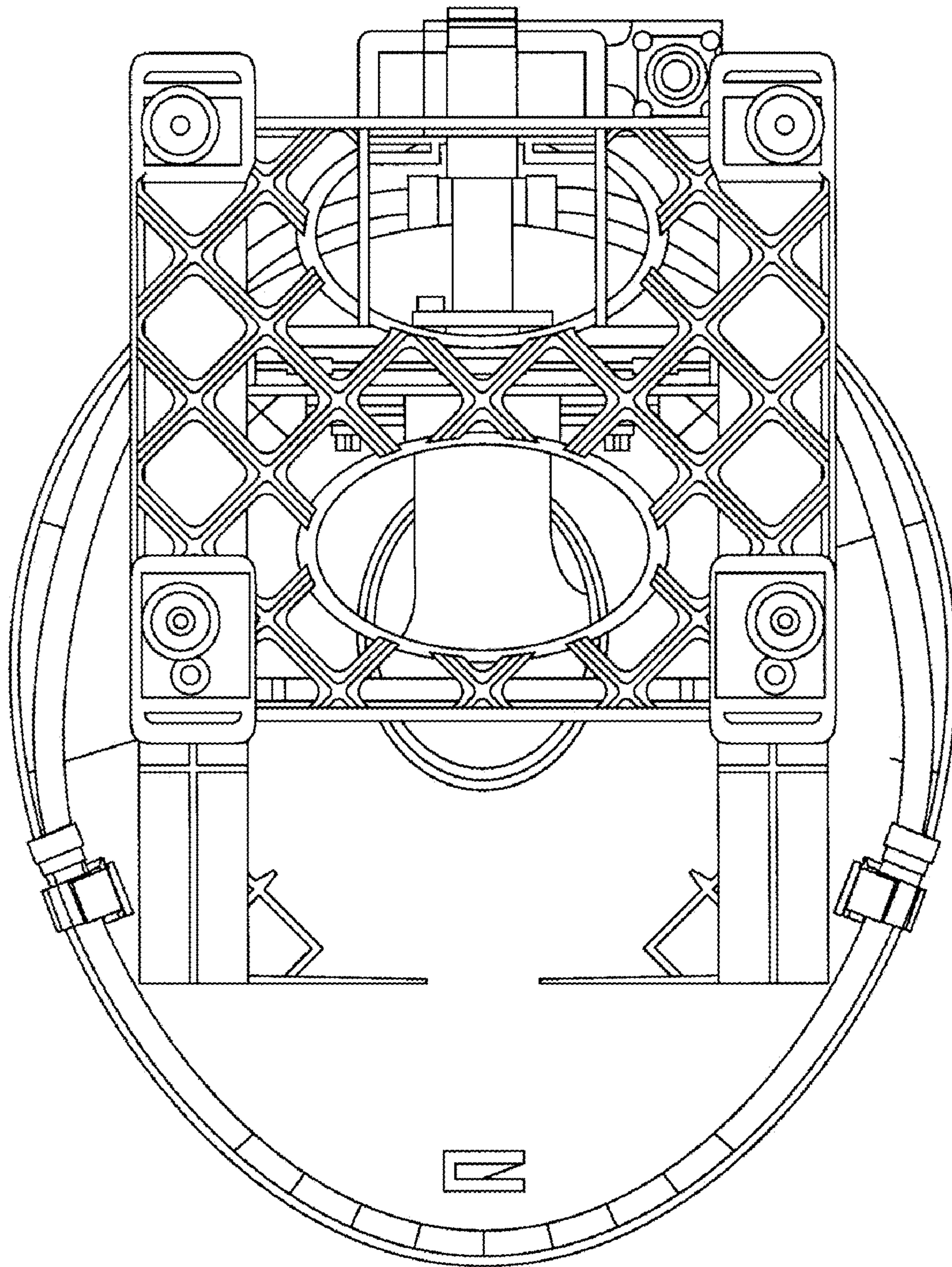


FIG. 7