



US00D619227S

(12) **United States Design Patent**  
**Hardwick et al.**

(10) **Patent No.:** **US D619,227 S**  
(45) **Date of Patent:** **\*\* Jul. 6, 2010**

(54) **BOWL FOR VACUUM WASTE SYSTEM**

6,704,947 B2 \* 3/2004 Stradinger et al. .... 4/431

(75) Inventors: **Christopher Hardwick**, Roscoe, IL (US); **Mark A. Pondelick**, Rockford, IL (US); **Thao Hoang**, Rockford, IL (US); **Steven Whisler**, San Juan Capistrano, CA (US)

\* cited by examiner

*Primary Examiner*—Robert A Delehanty  
(74) *Attorney, Agent, or Firm*—Drinker Biddle & Reath LLP

(73) Assignee: **B/E Aerospace, Inc.**, Wellington, FL (US)

(57) **CLAIM**

We claim the ornamental design for a bowl for vacuum waste system, as shown and described.

(\*\*) Term: **14 Years**

**DESCRIPTION**

(21) Appl. No.: **29/325,726**

FIG. 1 is a front perspective view of a bowl for vacuum waste system;

(22) Filed: **Oct. 3, 2008**

FIG. 2 is a front view of the design of FIG. 1;

(51) **LOC (9) Cl.** ..... **23-02**

FIG. 3 is a rear view of the design of FIG. 1;

(52) **U.S. Cl.** ..... **D23/309**

FIG. 4 is a detailed perspective view of the back of the design of FIG. 1;

(58) **Field of Classification Search** ..... D23/273–274,  
D23/295, 301, 303, 309, 313; 4/300, 329,  
4/353, 420; D7/700

FIG. 5 is a side view of the design of FIG. 1;

See application file for complete search history.

FIG. 6 is another side view of the design of FIG. 1;

FIG. 7 is a top view of the design of FIG. 1;

(56) **References Cited**

**U.S. PATENT DOCUMENTS**

|              |         |                 |               |
|--------------|---------|-----------------|---------------|
| 3,411,162 A  | 11/1968 | Palmer          |               |
| 4,546,502 A  | 10/1985 | Lew             |               |
| 5,231,706 A  | 8/1993  | Kendall         |               |
| D345,596 S   | 3/1994  | Tyler           |               |
| 6,212,700 B1 | 4/2001  | Giesler et al.  |               |
| 6,347,416 B1 | 2/2002  | Anderson et al. |               |
| D467,338 S * | 12/2002 | Rehrig          | ..... D24/122 |
| 6,536,054 B2 | 3/2003  | Anderson et al. |               |

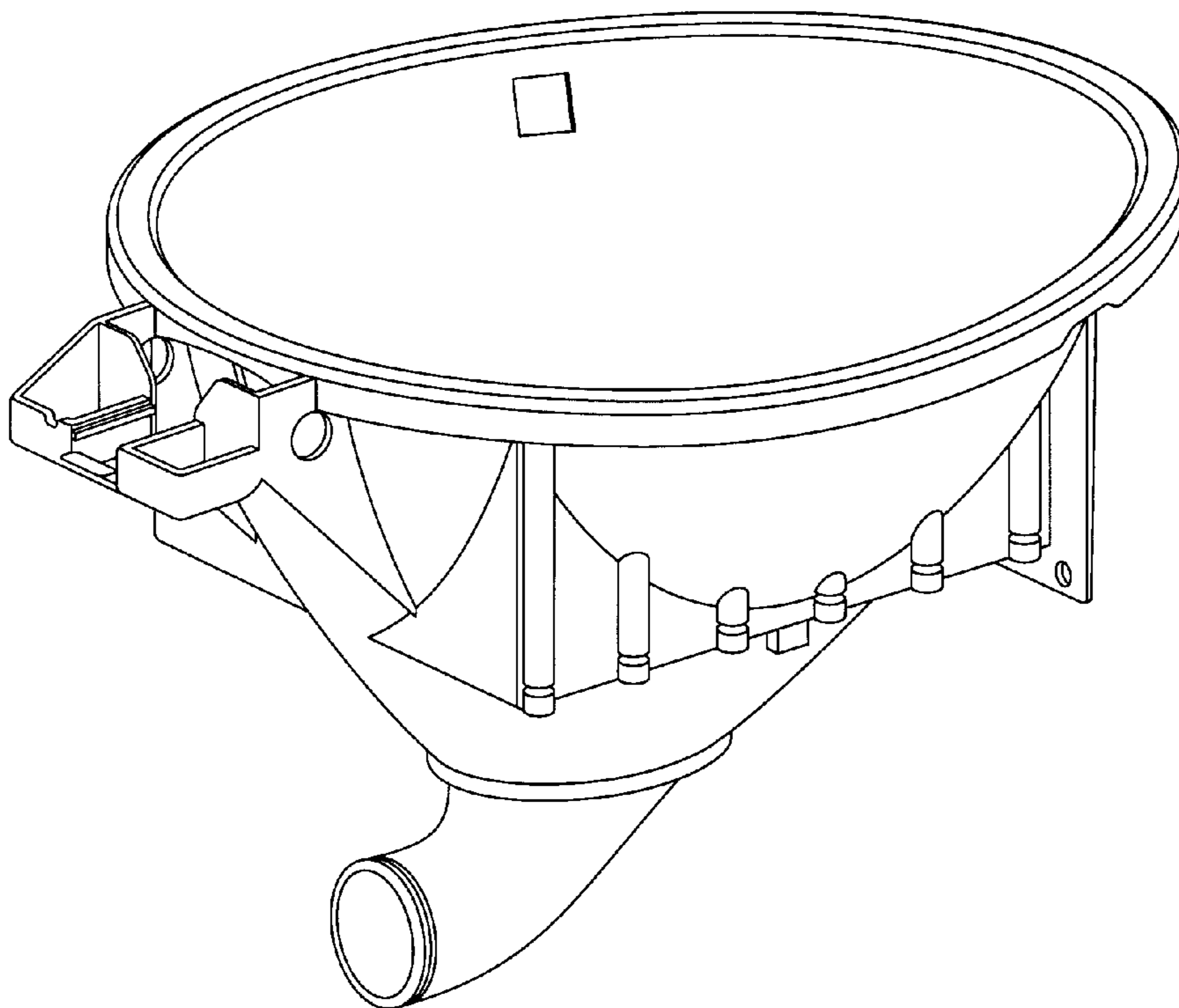
FIG. 8 is a bottom view of the design of FIG. 1;

FIG. 9 is a detailed side perspective view of the design of FIG. 1;

FIG. 10 is a detailed bottom perspective view of the design of FIG. 1; and,

FIG. 11 is a further detailed bottom perspective view of the design of FIG. 1.

**1 Claim, 11 Drawing Sheets**



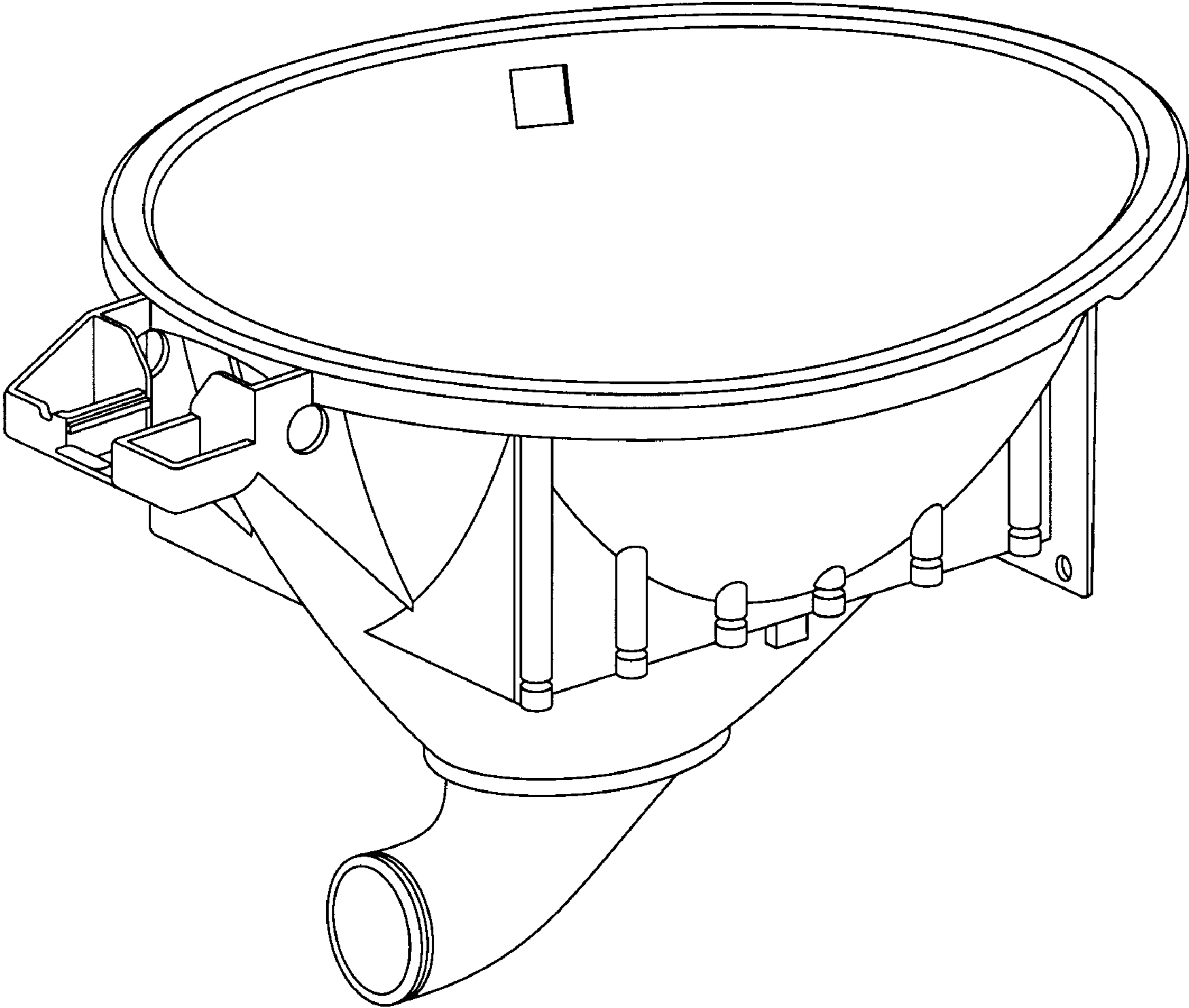


FIG. 1

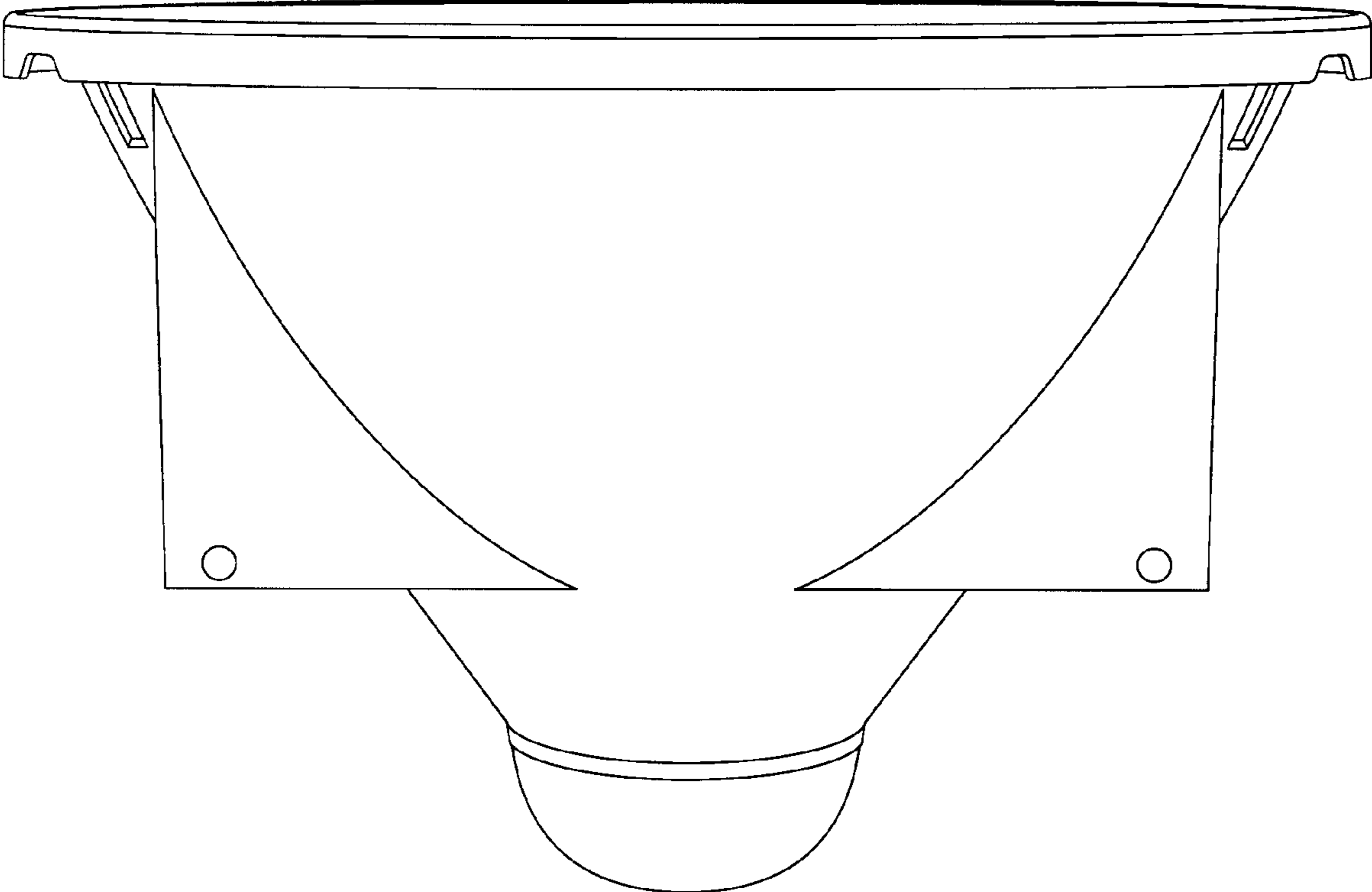


FIG. 2

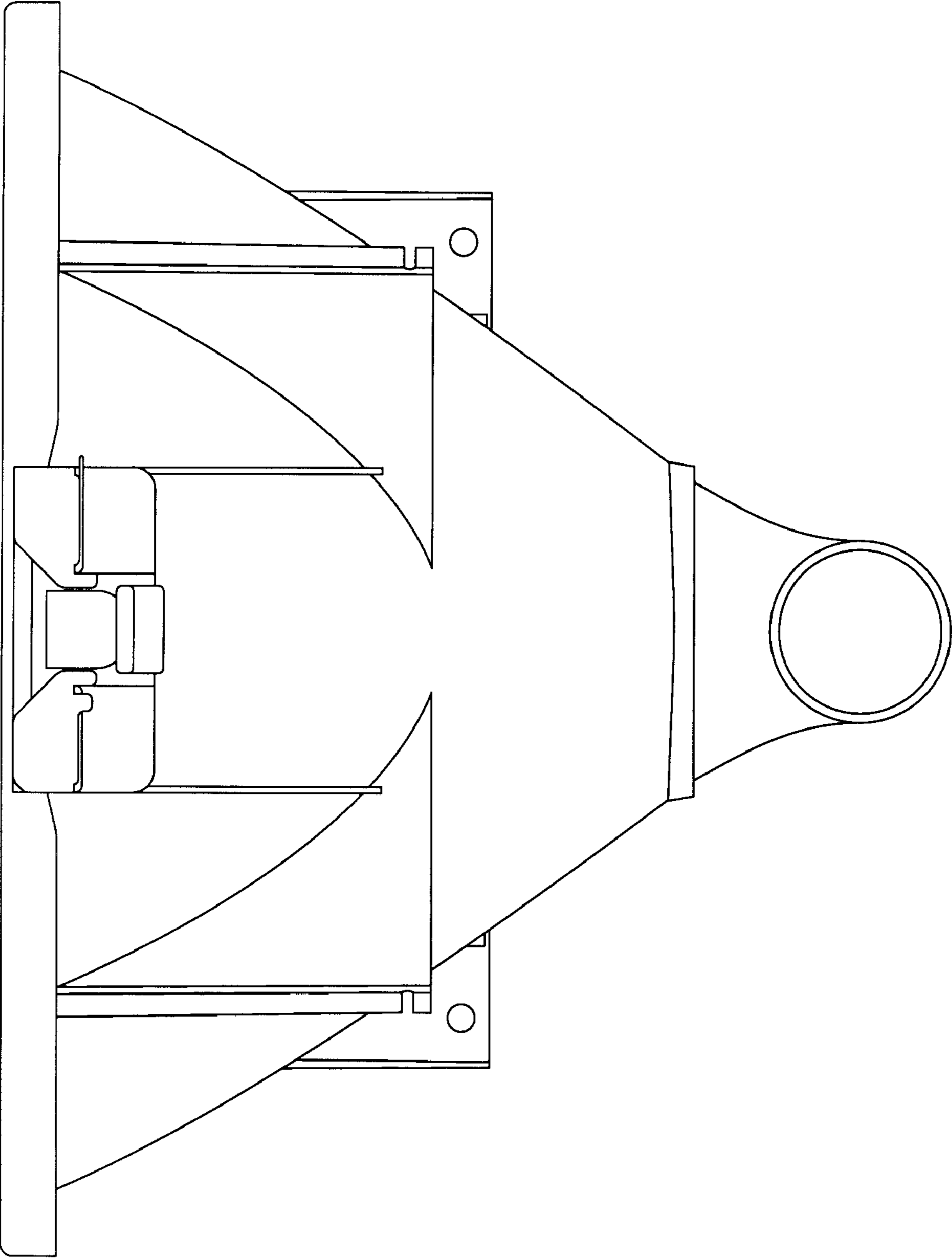


FIG. 3

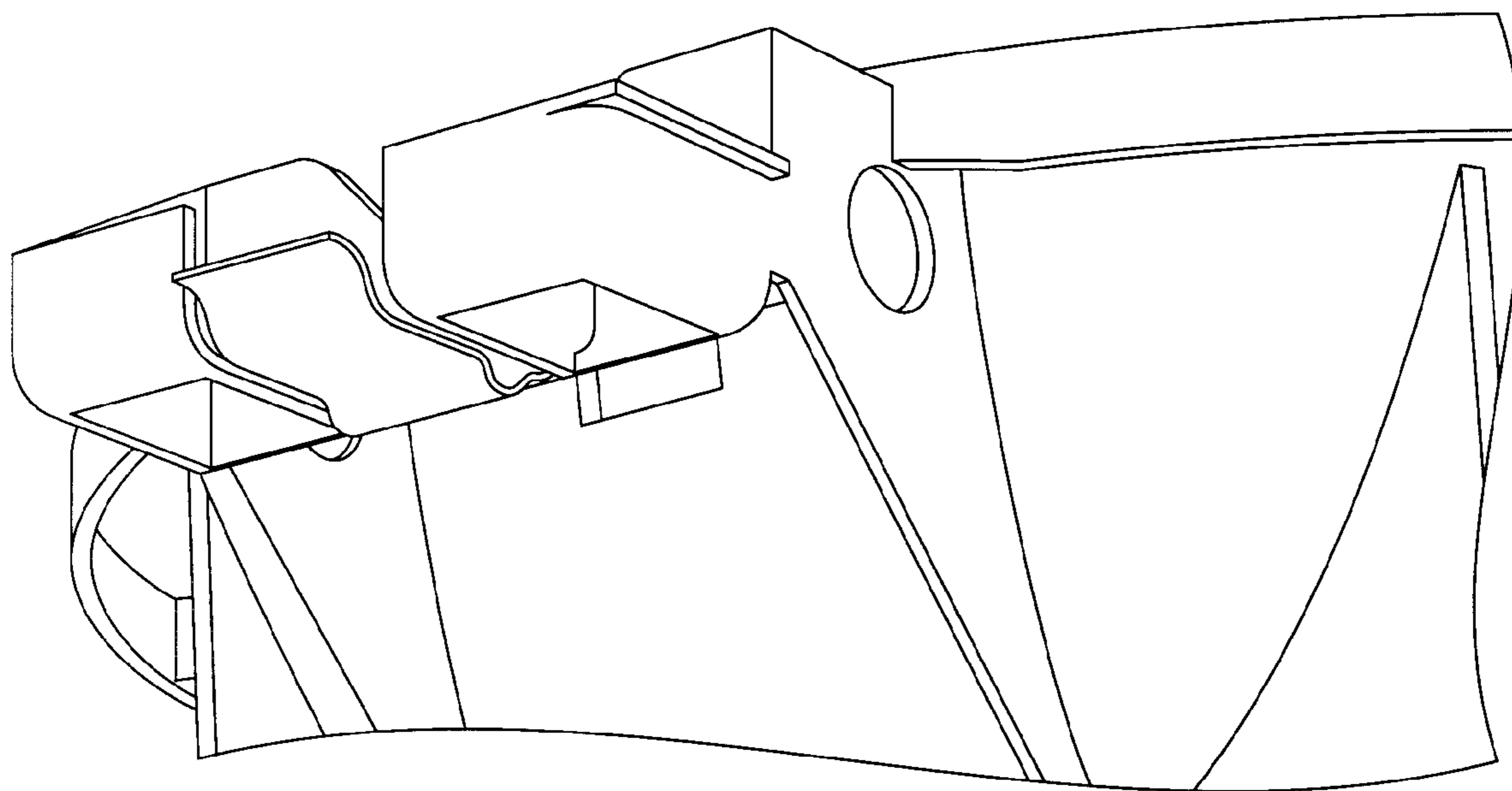


FIG. 4

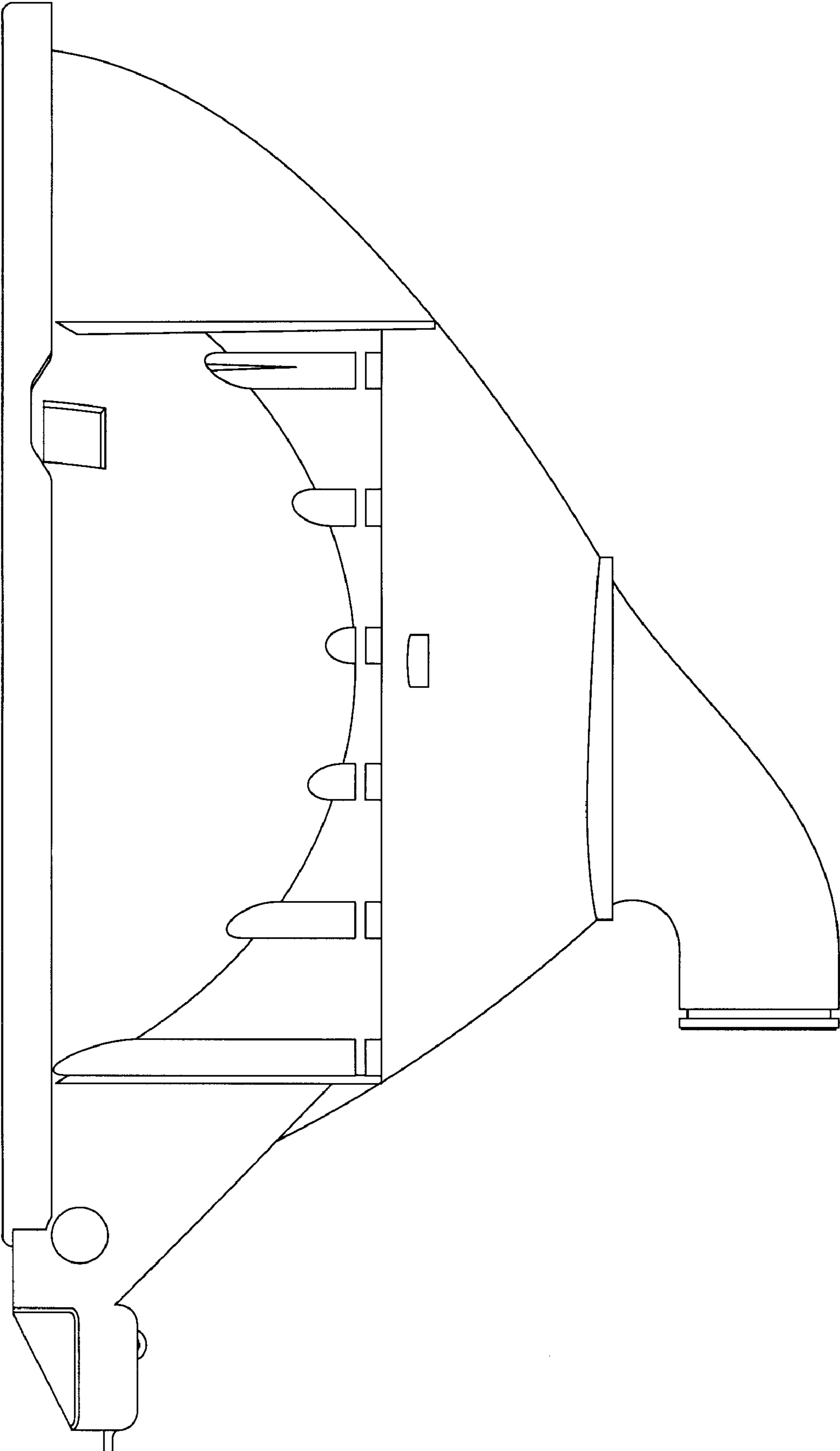


FIG. 5

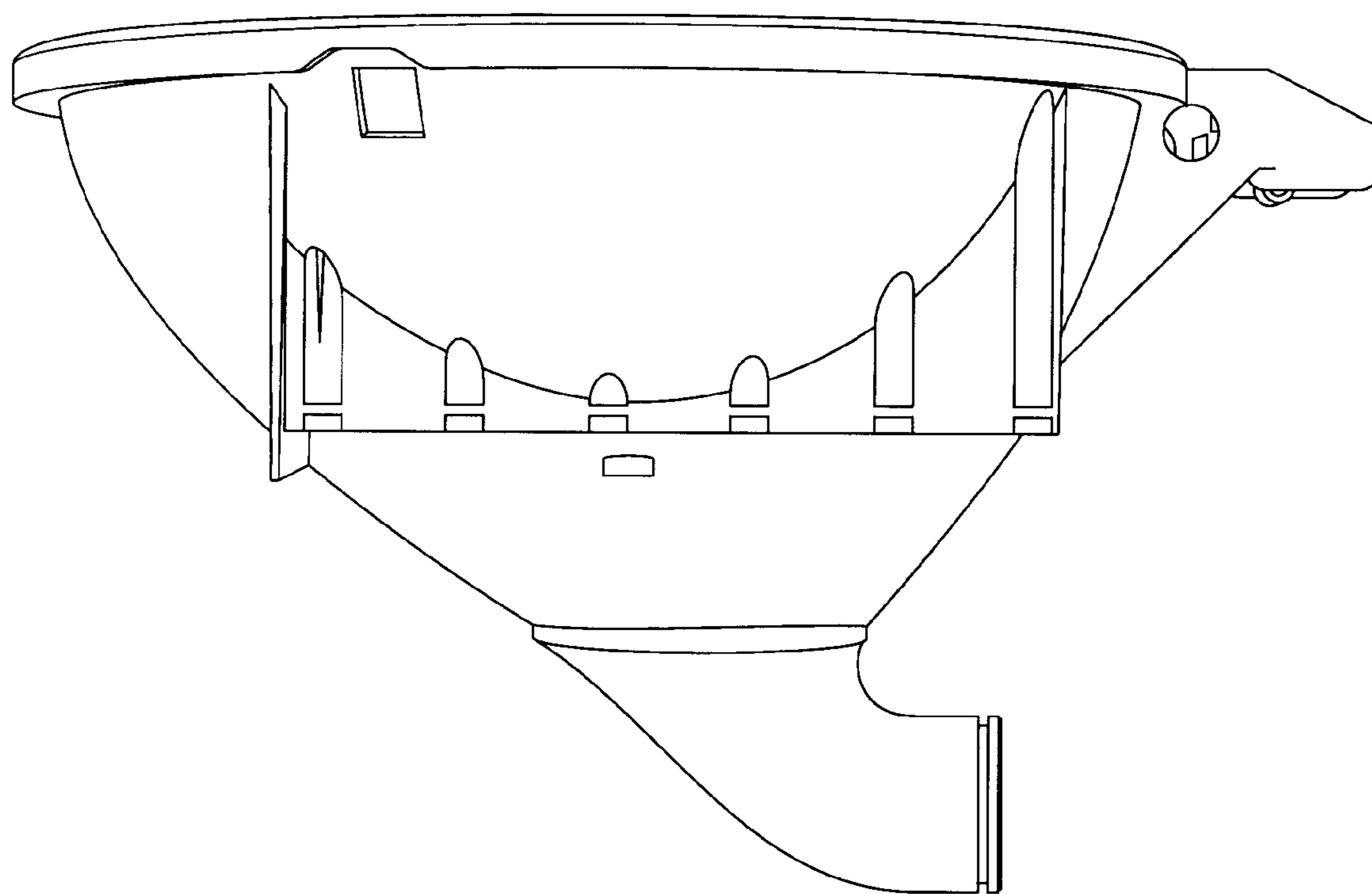


FIG. 6

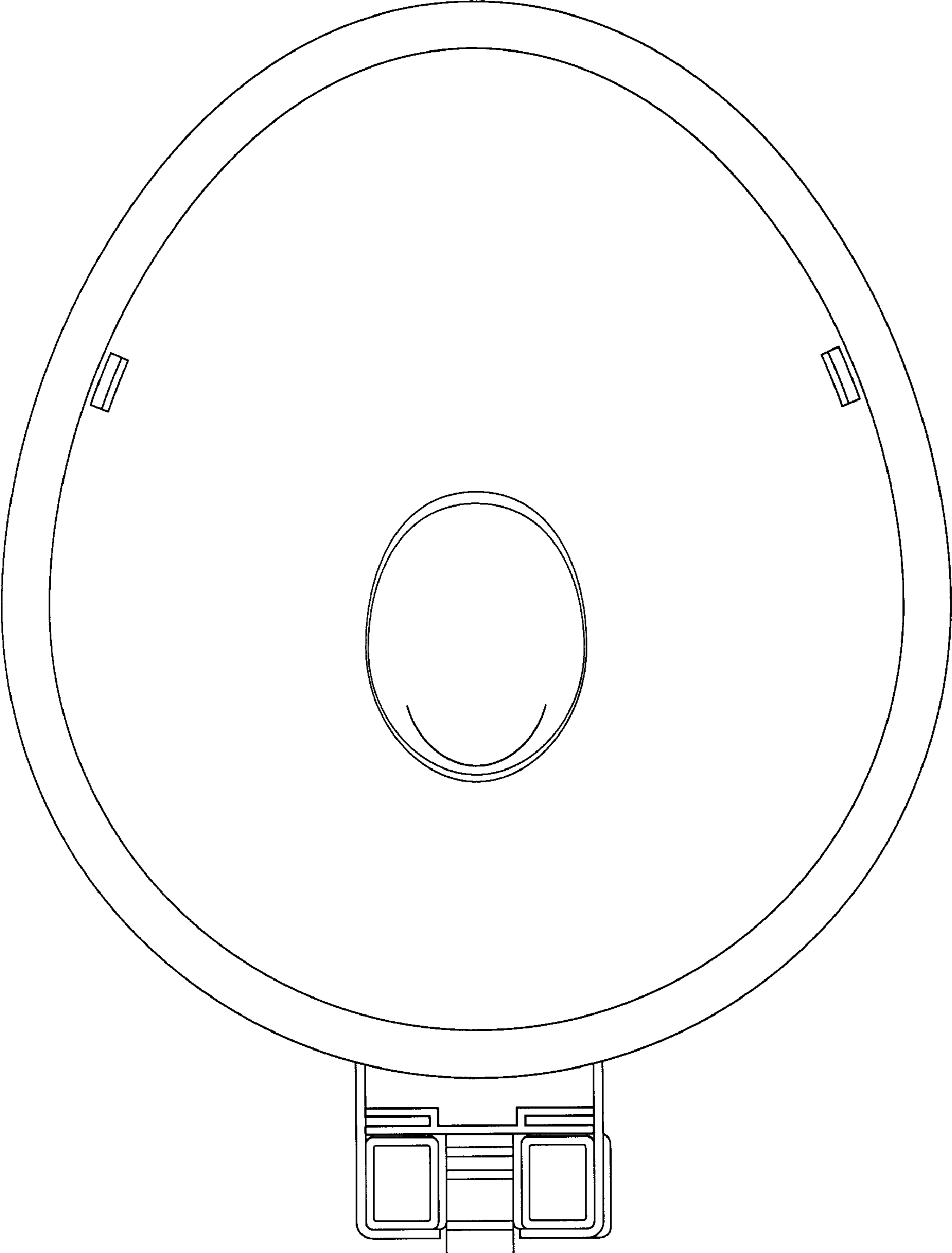


FIG. 7



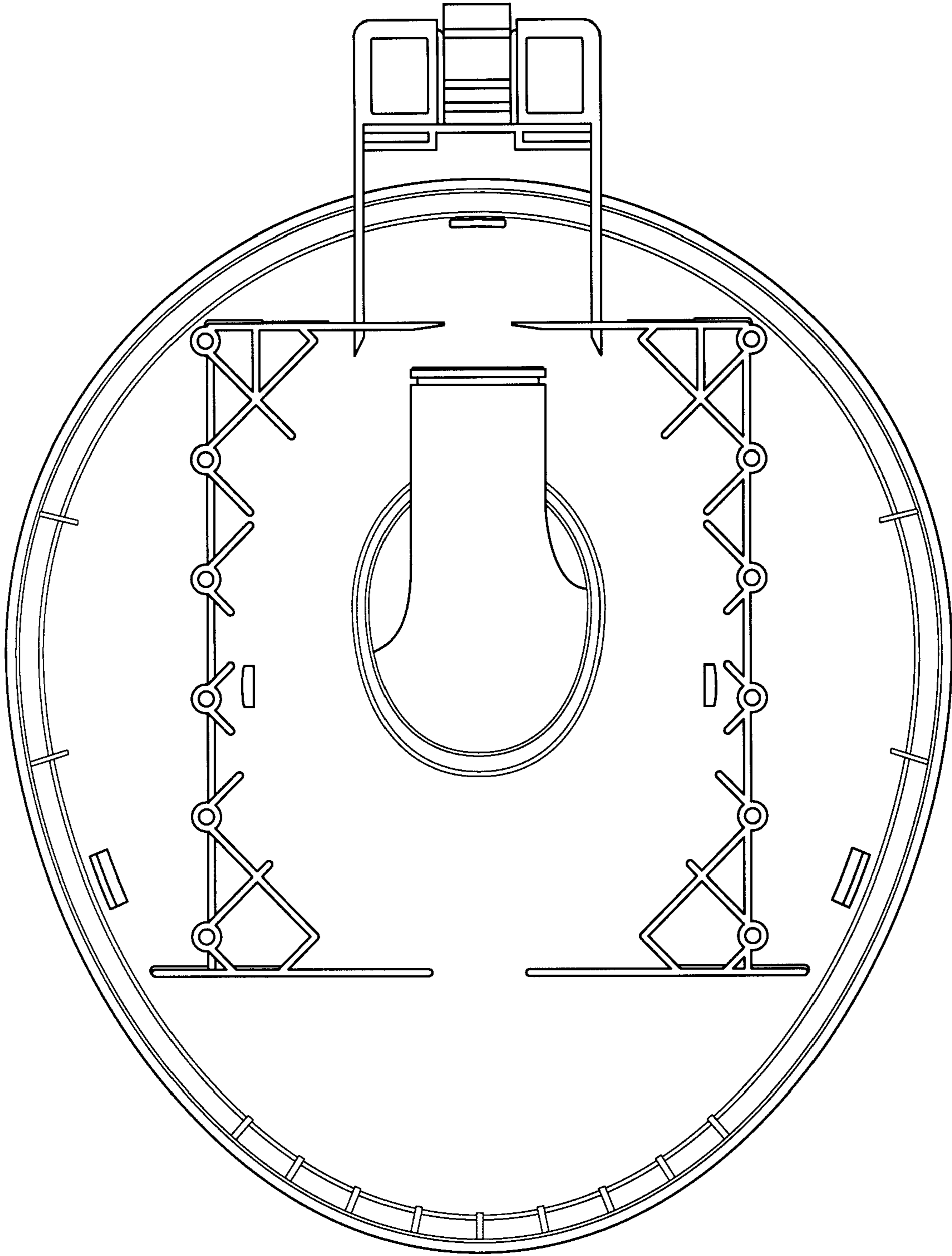


FIG. 8

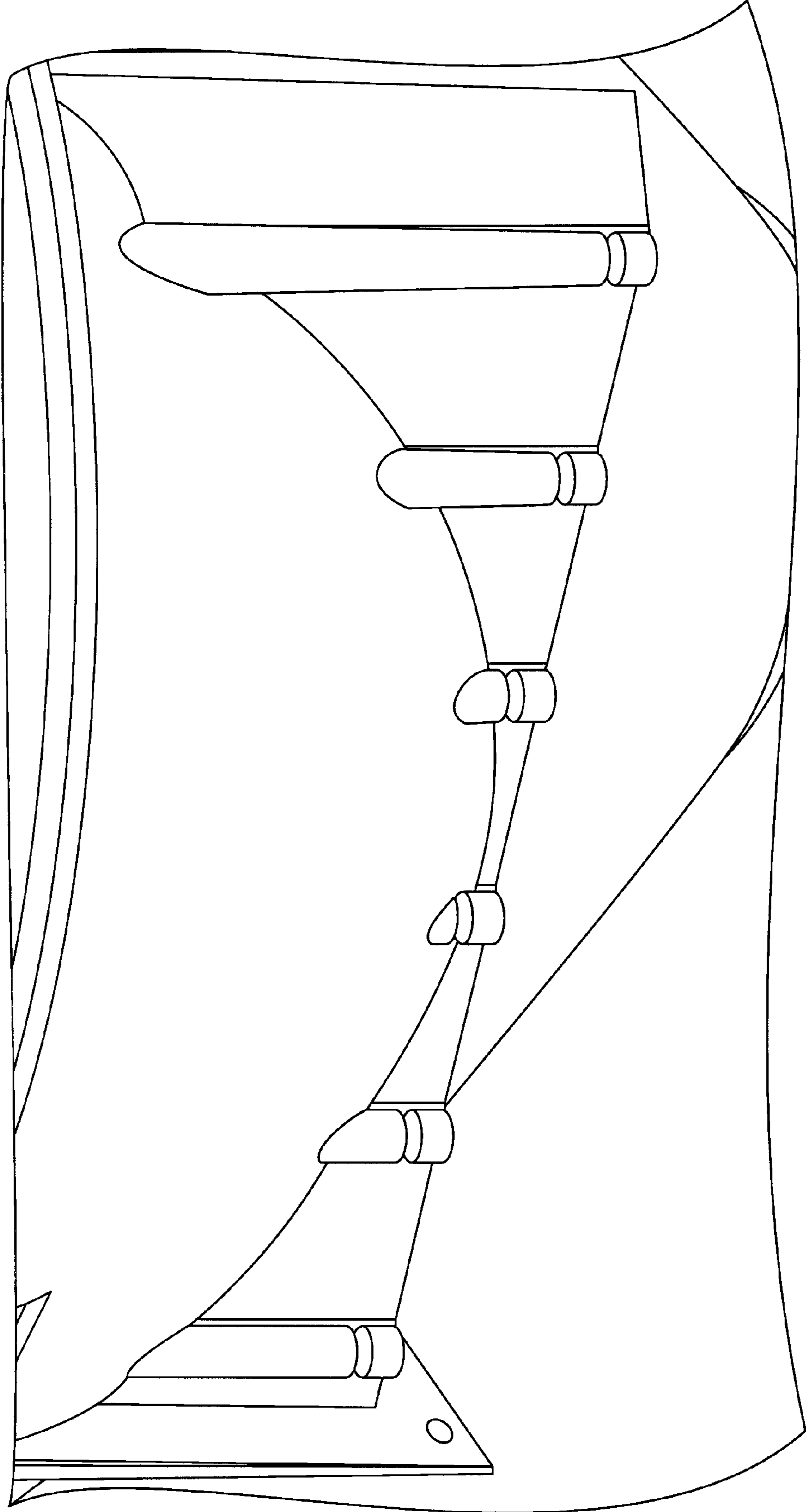


FIG. 9

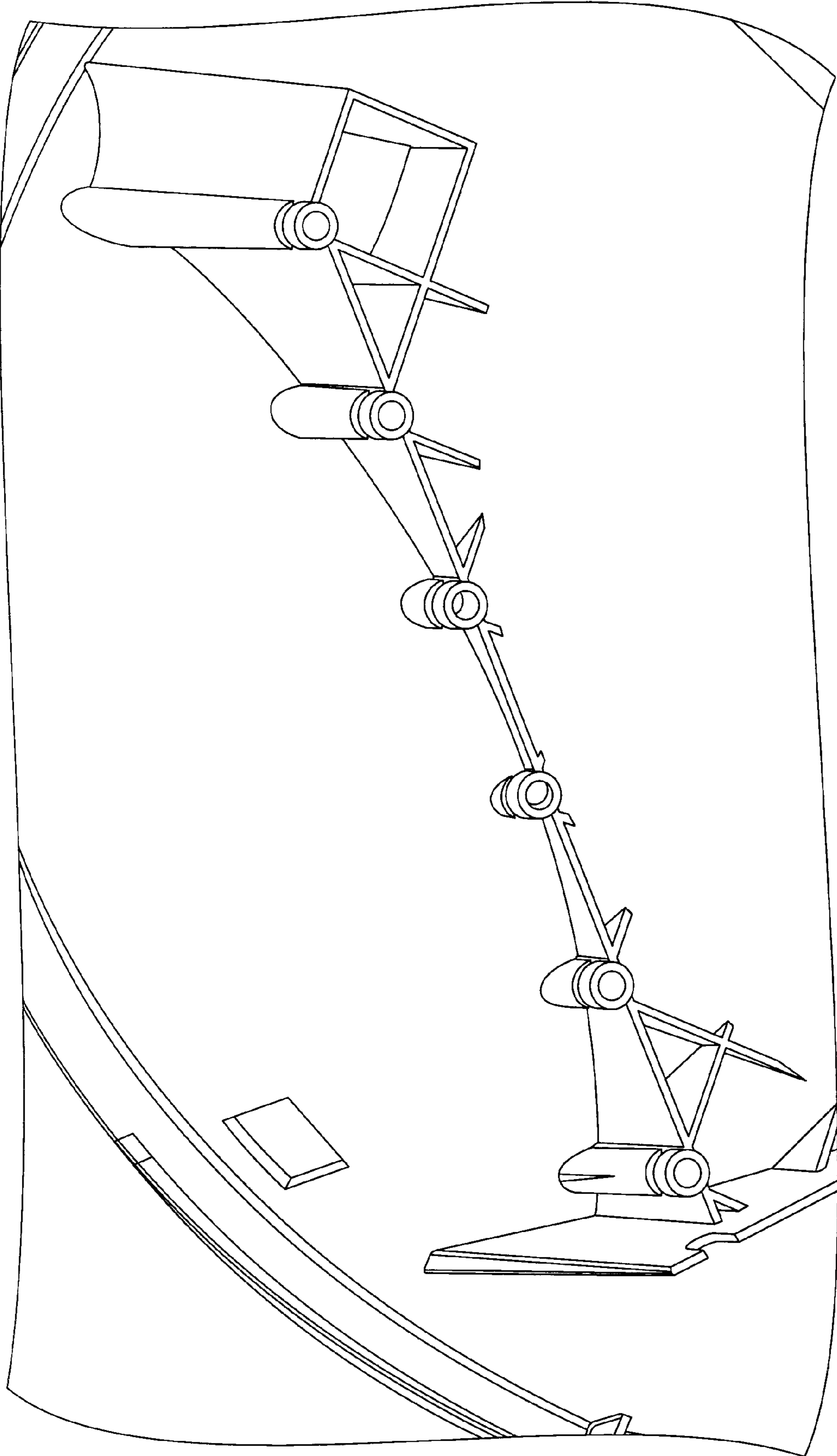


FIG. 10

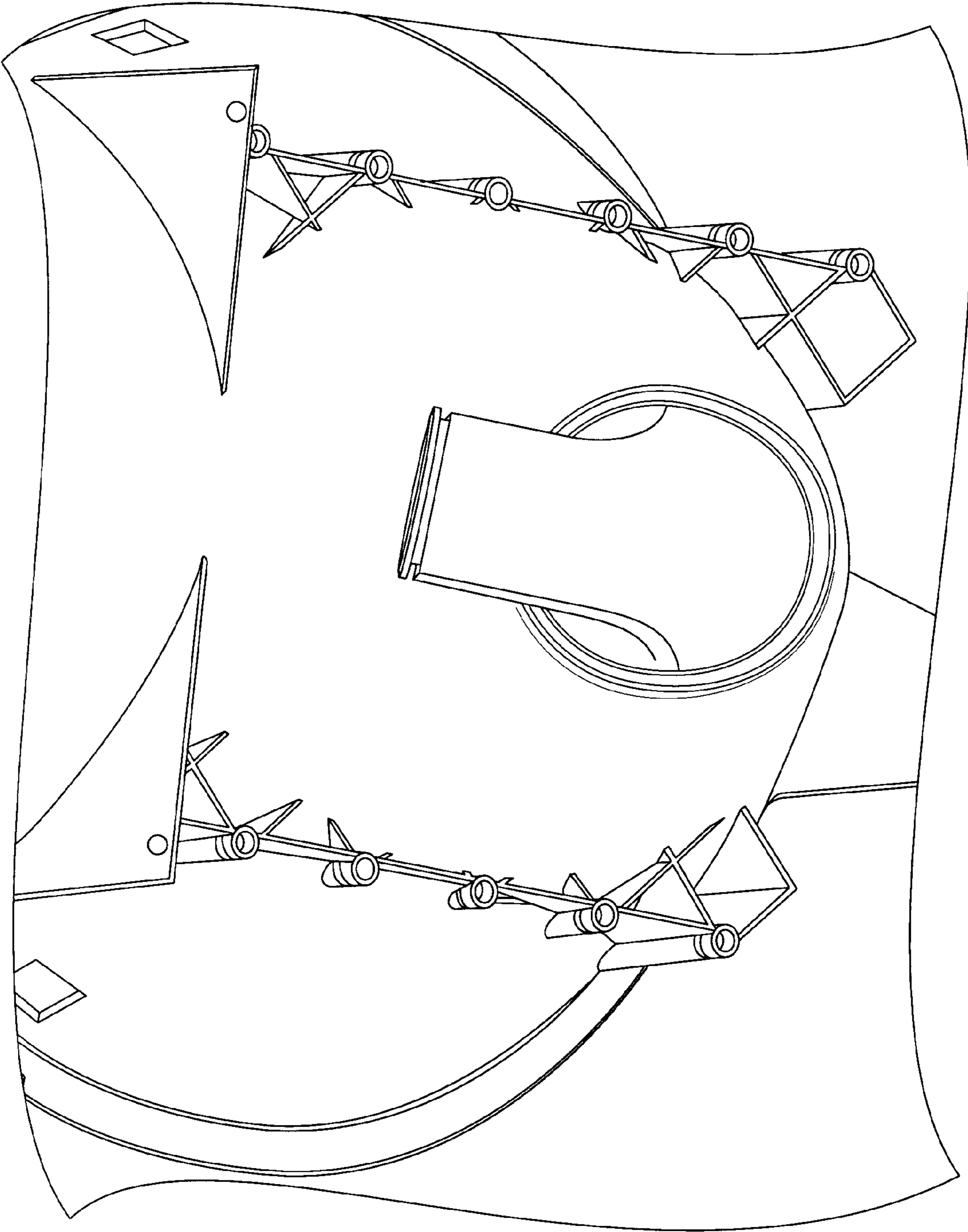


FIG. 11