



US00D619226S

(12) **United States Design Patent**
Nelson et al.

(10) **Patent No.:** **US D619,226 S**
(45) **Date of Patent:** **** Jul. 6, 2010**

(54) **TOILET ASSEMBLY**

D471,965 S * 3/2003 Lu et al. D23/296
D482,765 S * 11/2003 Ming-Hwa D23/309
D582,529 S * 12/2008 Henshaw et al. D23/295

(75) Inventors: **Jeffrey Cogan Nelson**, Chicago, IL
(US); **Gregory Charles Kilgore**, Aurora,
IL (US)

* cited by examiner

(73) Assignee: **Liftseat Corporation**, Lombard, IL (US)

Primary Examiner—Robert A Delehanty
(74) *Attorney, Agent, or Firm*—Moazzam & Associates, LLC

(**) Term: **14 Years**

(57) **CLAIM**

(21) Appl. No.: **29/344,435**

The ornamental design for a toilet assembly, as shown and described.

(22) Filed: **Sep. 29, 2009**

(51) **LOC (9) Cl.** **23-02**

(52) **U.S. Cl.** **D23/299**

(58) **Field of Classification Search** D23/295–296,
D23/299, 303, 309, 311; 4/300, 312, 329,
4/449, 460, 902

See application file for complete search history.

DESCRIPTION

FIG. 1 is a front perspective view of a toilet assembly showing our new design;

FIG. 2 is a top plan view thereof;

FIG. 3 is a right side elevational view thereof;

FIG. 4 is a front elevational view thereof; and,

FIG. 5 is a back elevational view thereof.

(56) **References Cited**

U.S. PATENT DOCUMENTS

D425,607 S * 5/2000 Pham D23/296

1 Claim, 5 Drawing Sheets

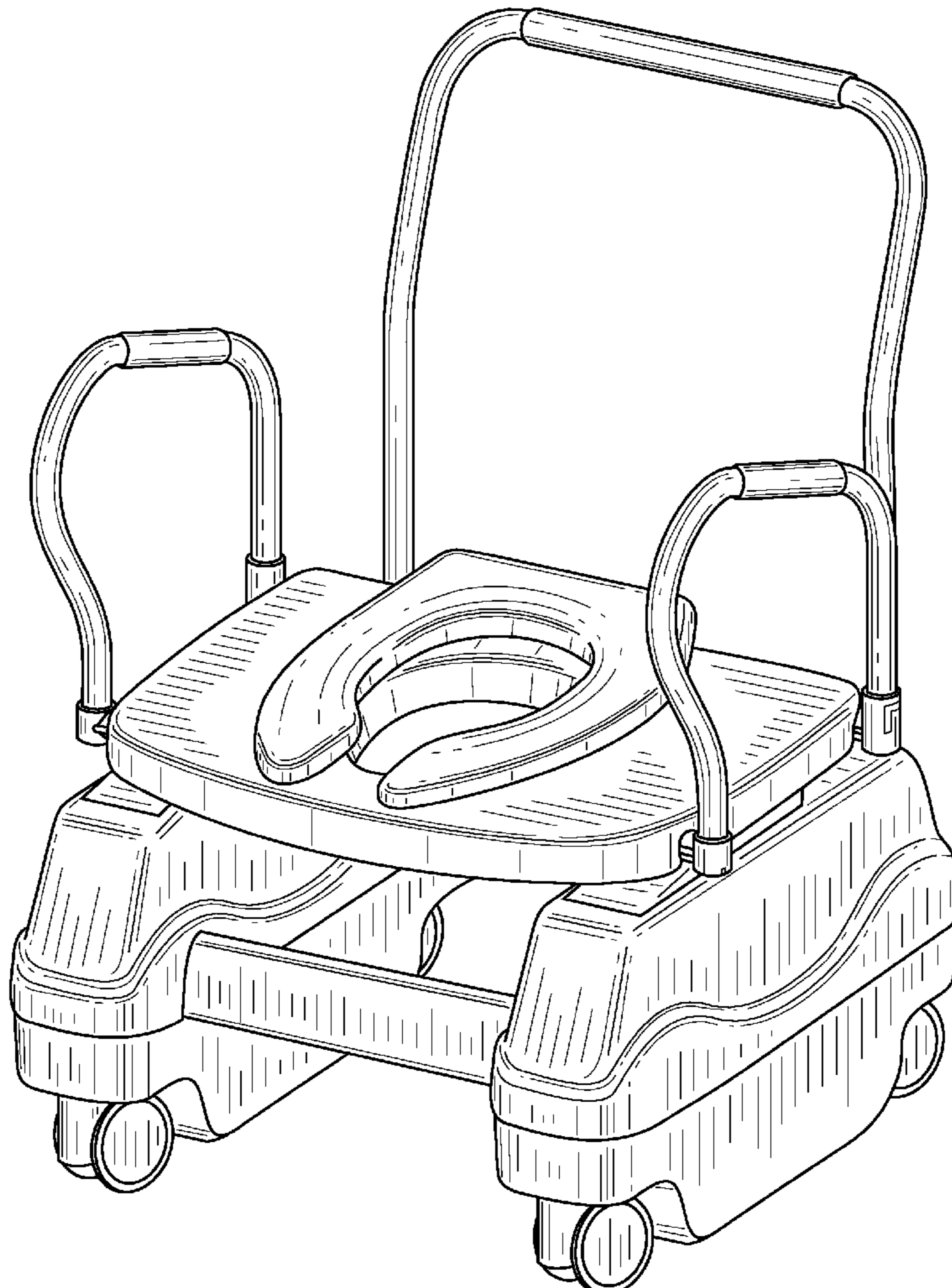




FIG. 1

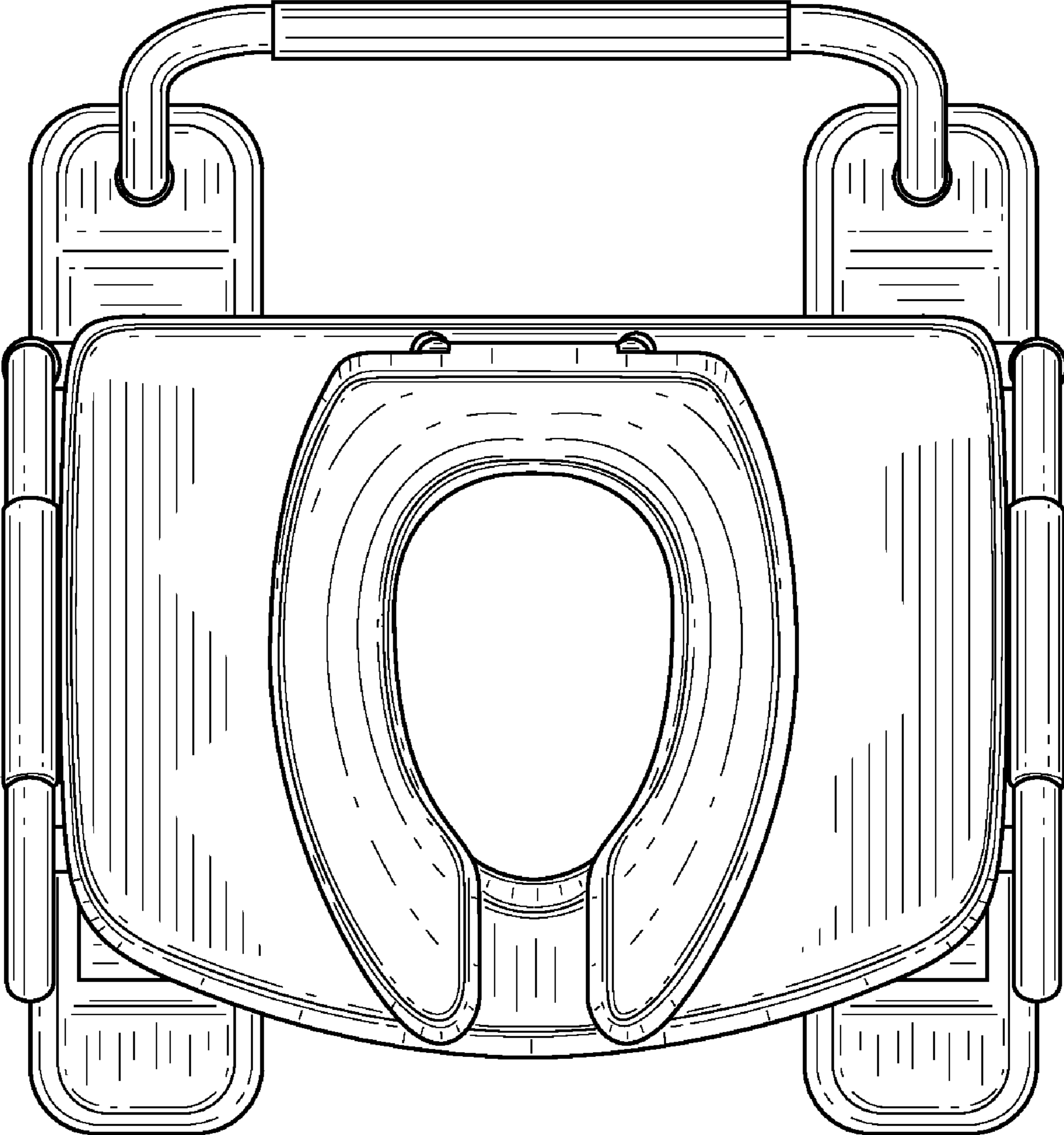


FIG. 2

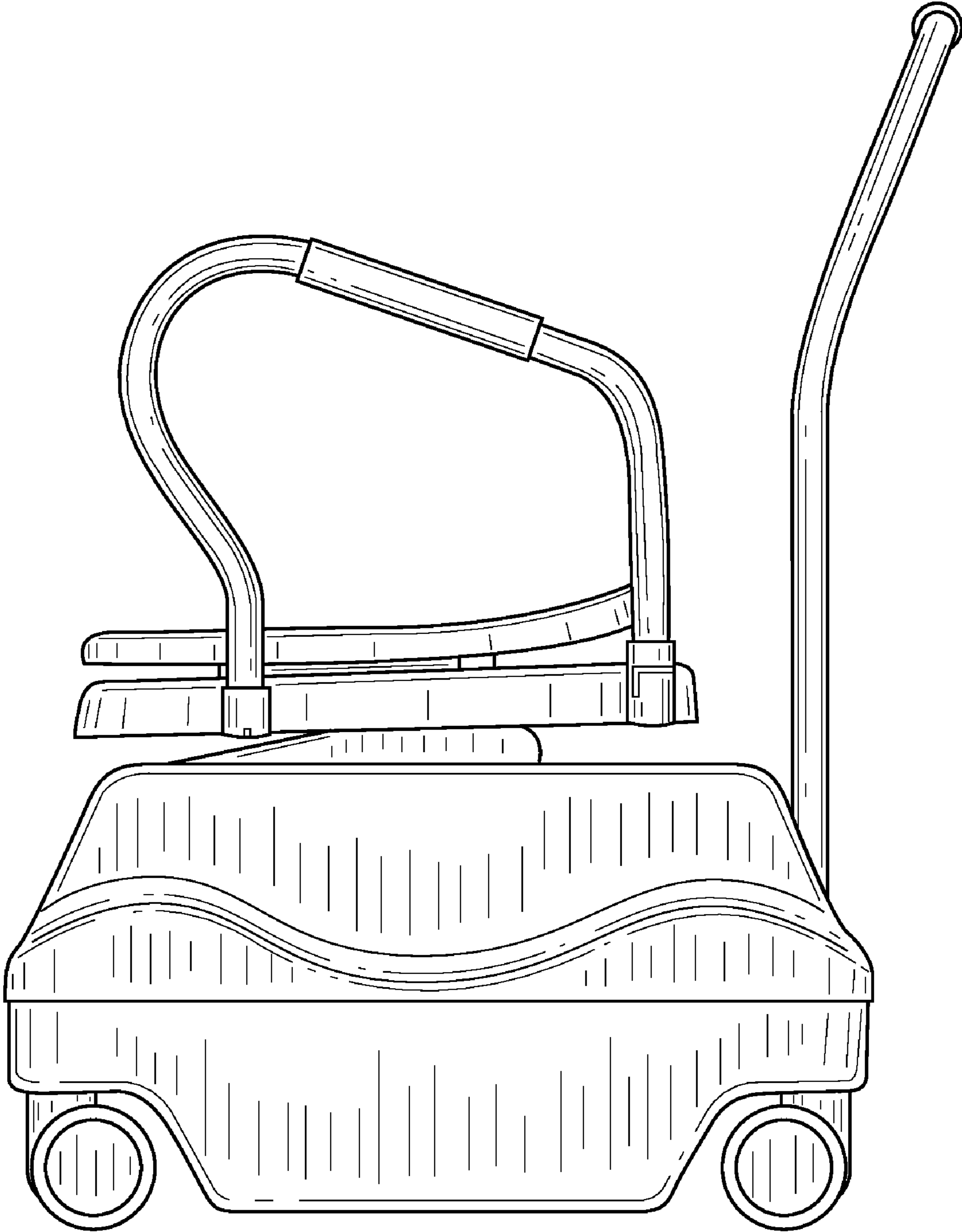


FIG. 3

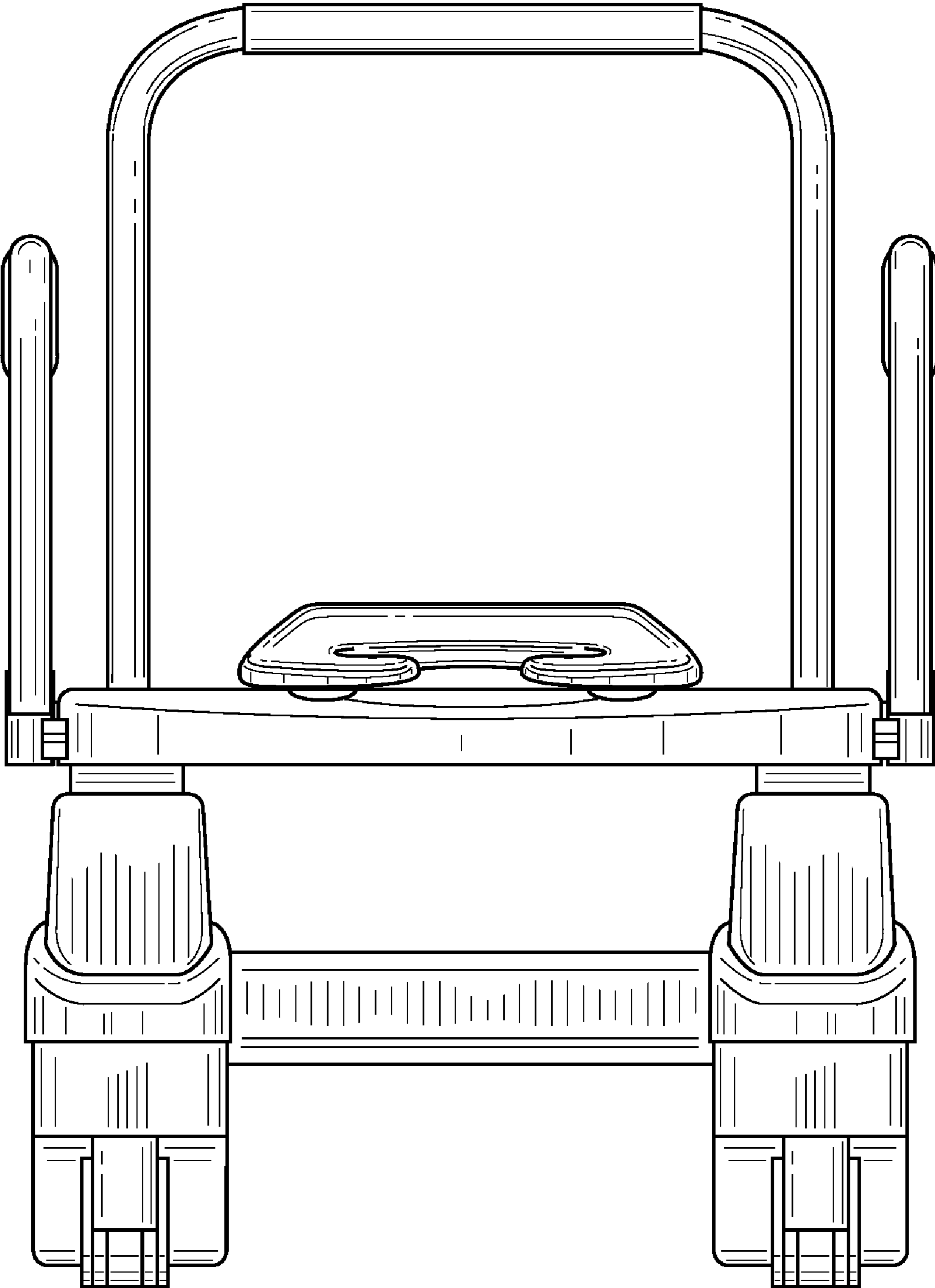


FIG. 4

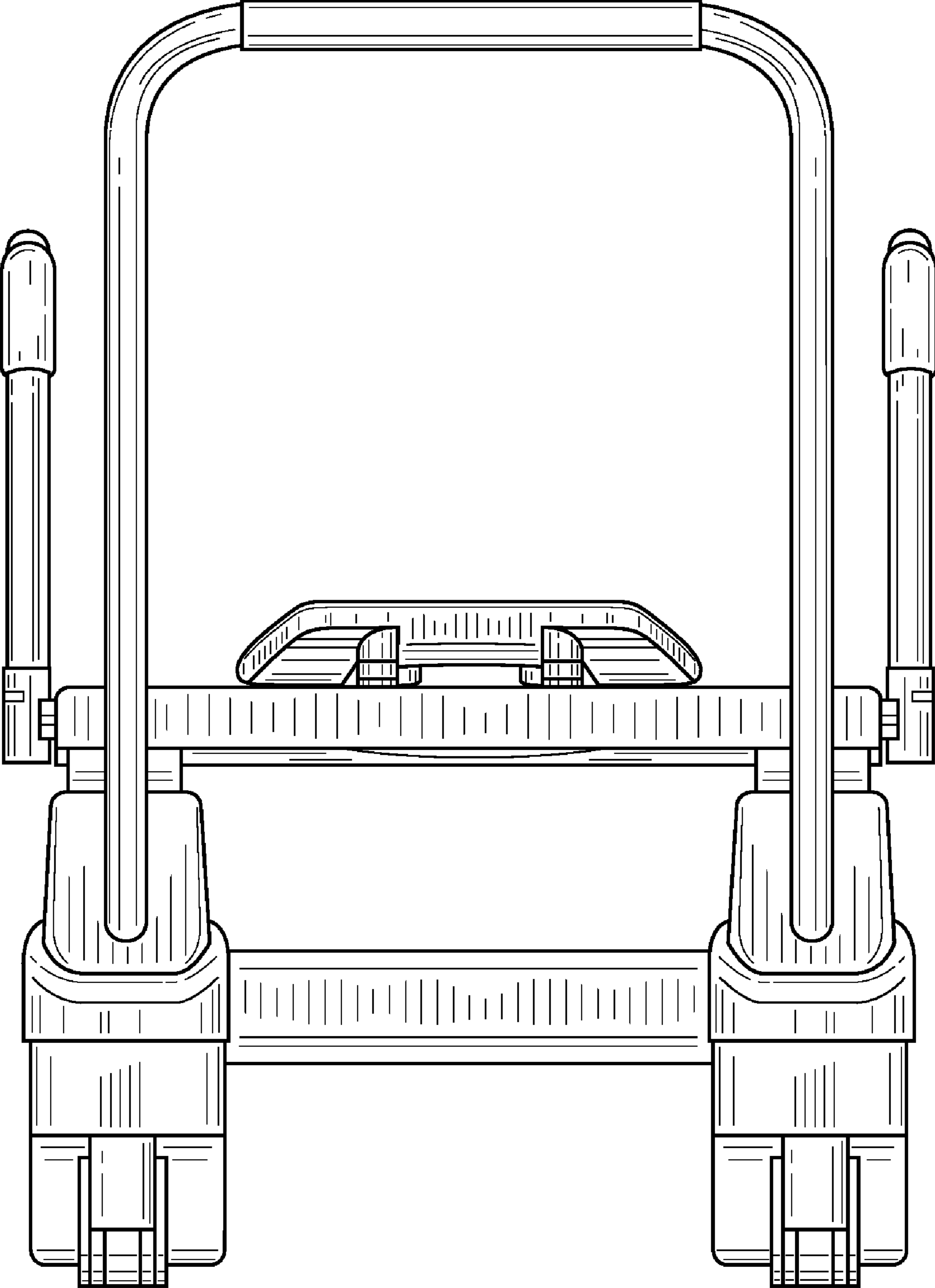


FIG. 5