



US00D619224S

(12) **United States Design Patent**  
**Stanchak**

(10) **Patent No.:** **US D619,224 S**

(45) **Date of Patent:** **\*\* Jul. 6, 2010**

(54) **TUB FOR BATHING**

(75) Inventor: **Katherine A. Stanchak**, Medford, MA  
(US)

(73) Assignee: **Kohler Co.**, Kohler, WI (US)

(\*\*) Term: **14 Years**

(21) Appl. No.: **29/331,024**

(22) Filed: **Jan. 16, 2009**

(51) **LOC (9) Cl.** ..... **23-02**

(52) **U.S. Cl.** ..... **D23/277**

(58) **Field of Classification Search** ..... D23/277,  
D23/280.1–280.3, 304; 4/538; D24/204–205  
See application file for complete search history.

(56) **References Cited**

**U.S. PATENT DOCUMENTS**

D523,941 S \* 6/2006 Bates ..... D23/304

**OTHER PUBLICATIONS**

Kohler Co. “Portrait 5’ Bath with Integral Apron”, Model No. K-1108-LA/RA. Kohler Co. online catalog.

Kohler Co. “Perma-Wall Bath Surround”. Model No. K-1465. Kohler Co. online catalog. Dated Sep. 1986.

Aquatic. “Symphony 9”. HomePortfolio.com online catalog. Copyright 1997-2008 HomePortfolio.com Inc.

Kohler Co. “Steeping Bath Whirlpool”. Model No. K-792-V. Kohler Co. online catalog. Dated Apr. 1989.

Kohler Co. “Portrait 5” Model No. K-7161-AF or K-7161M-AF. Kohler Co. online catalog.

\* cited by examiner

*Primary Examiner*—Robert A Delehanty

(74) *Attorney, Agent, or Firm*—Quarles & Brady LLP

(57) **CLAIM**

The ornamental design for a tub for bathing, as shown and described.

**DESCRIPTION**

FIG. 1 is a right, top, front perspective view of a tub for bathing embodying my new design;

FIG. 2 is a top plan view thereof;

FIG. 3 is a front elevational view thereof, the rear elevational view thereof being a mirror image of the front shown;

FIG. 4 is a right side elevational view thereof;

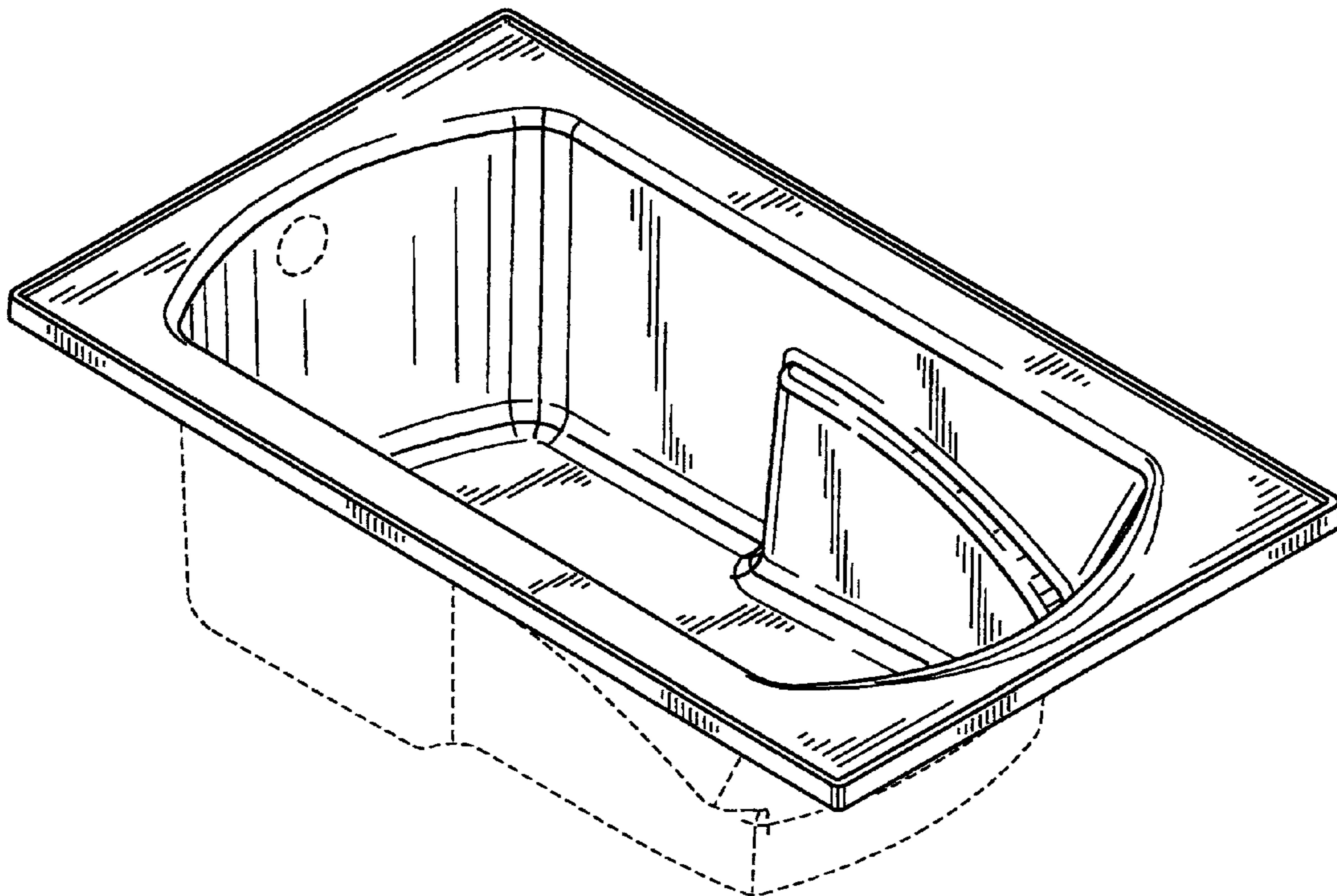
FIG. 5 is a left side elevational view thereof; and,

FIG. 6 is a bottom plan view thereof.

The broken line representations in the figures are for the purpose of illustration only, and form no part of the claimed design.

In a preferred embodiment, the nature of this product is as a plumbing fixture in the form of a bathing tub primary useful for washing the human body.

**1 Claim, 5 Drawing Sheets**



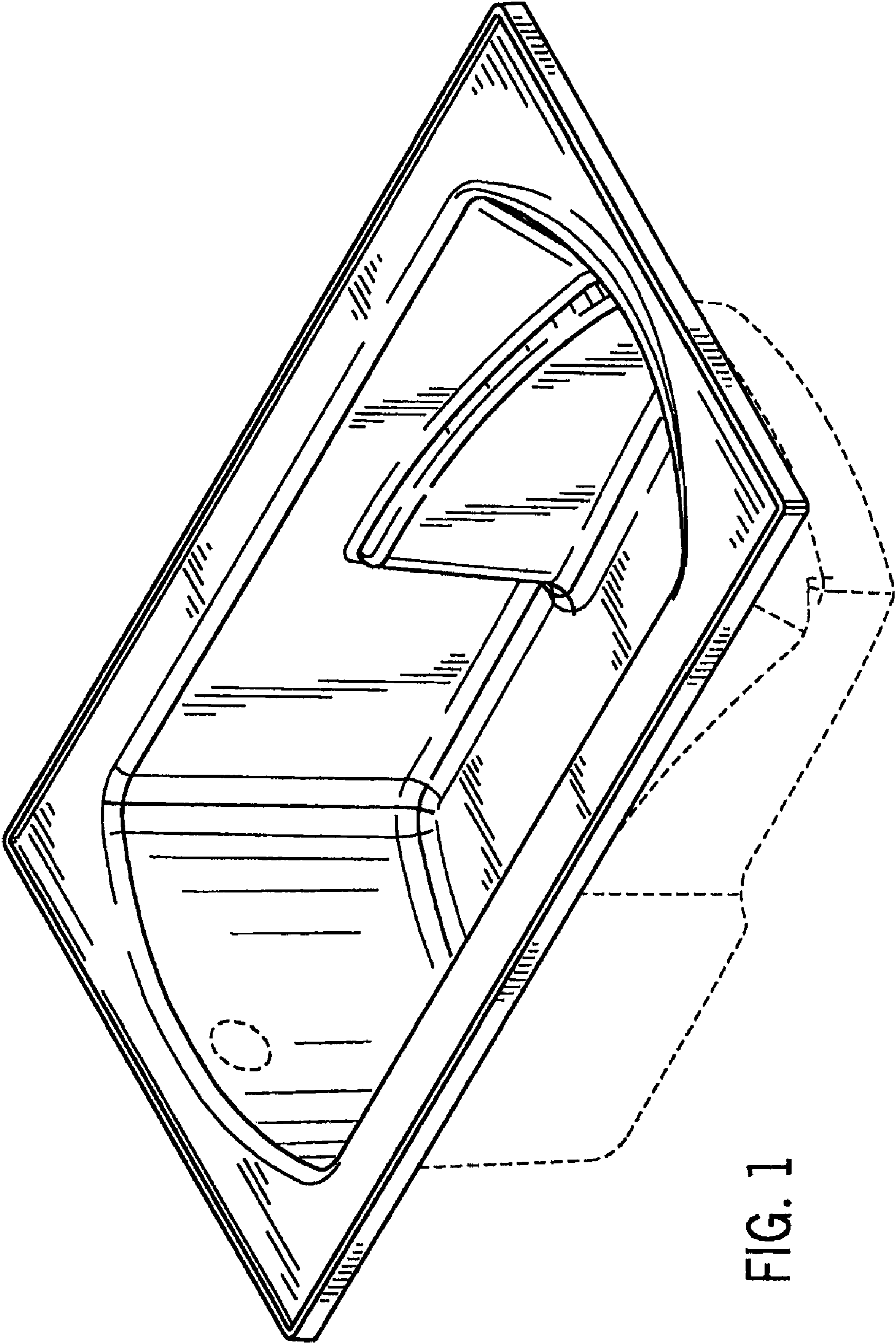


FIG. 1

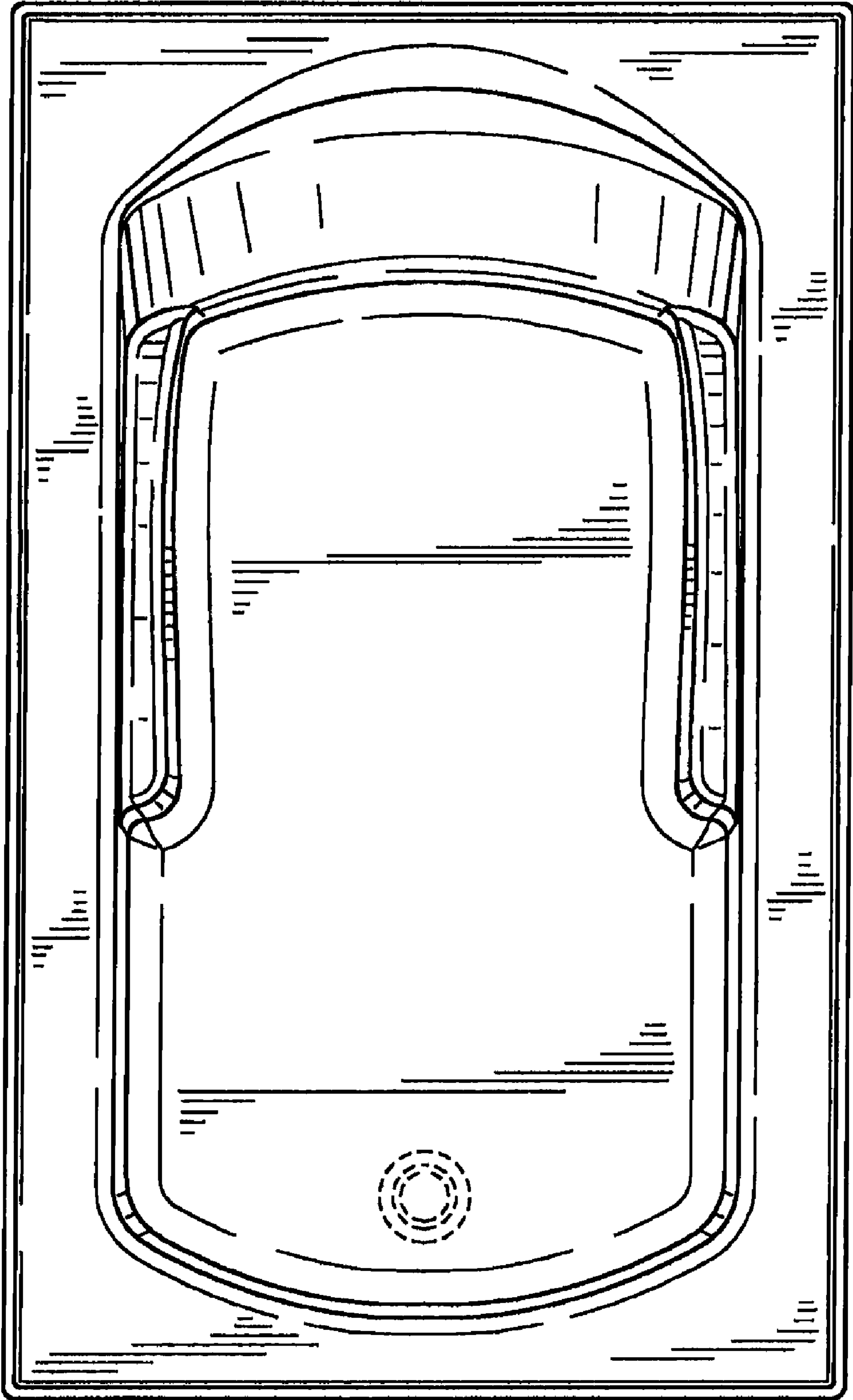


FIG. 2

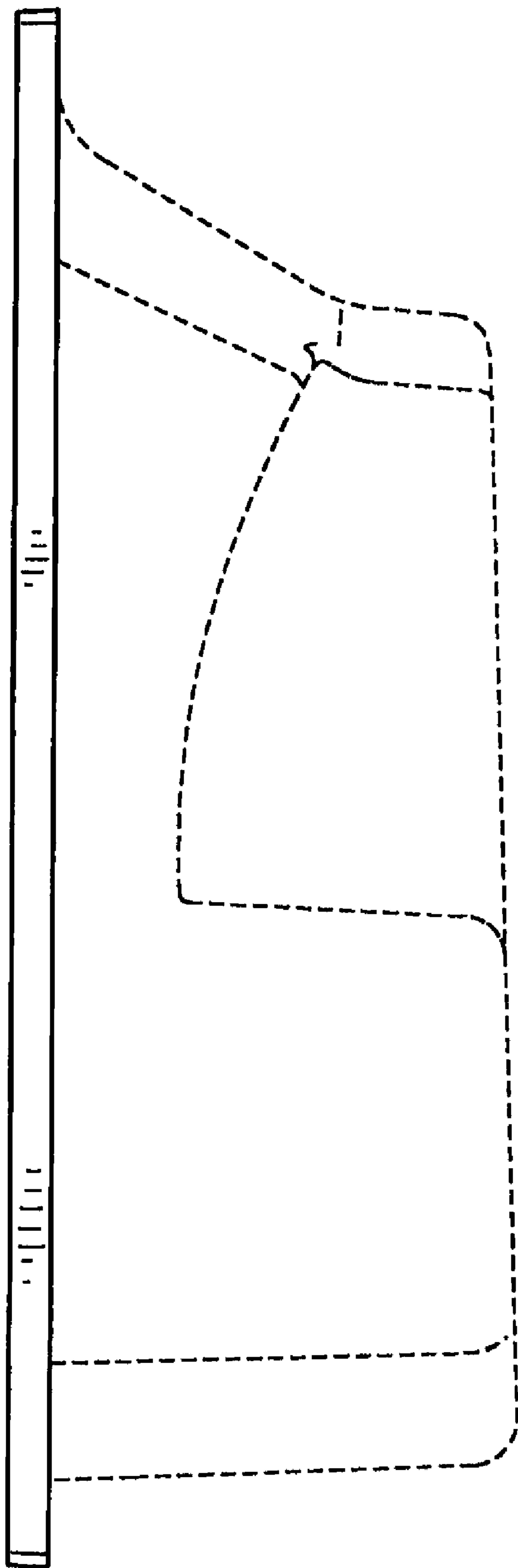


FIG. 3

FIG. 4

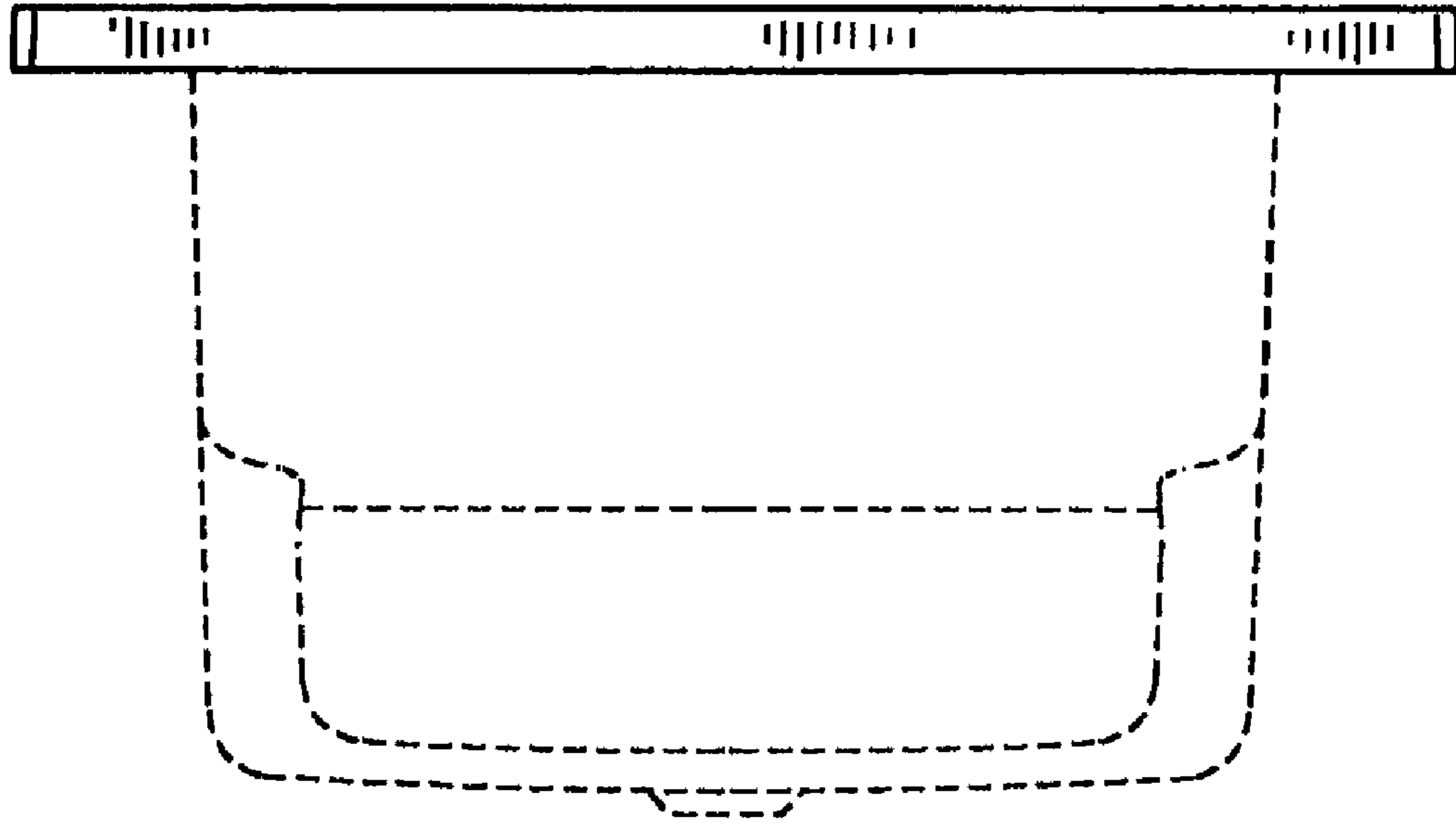
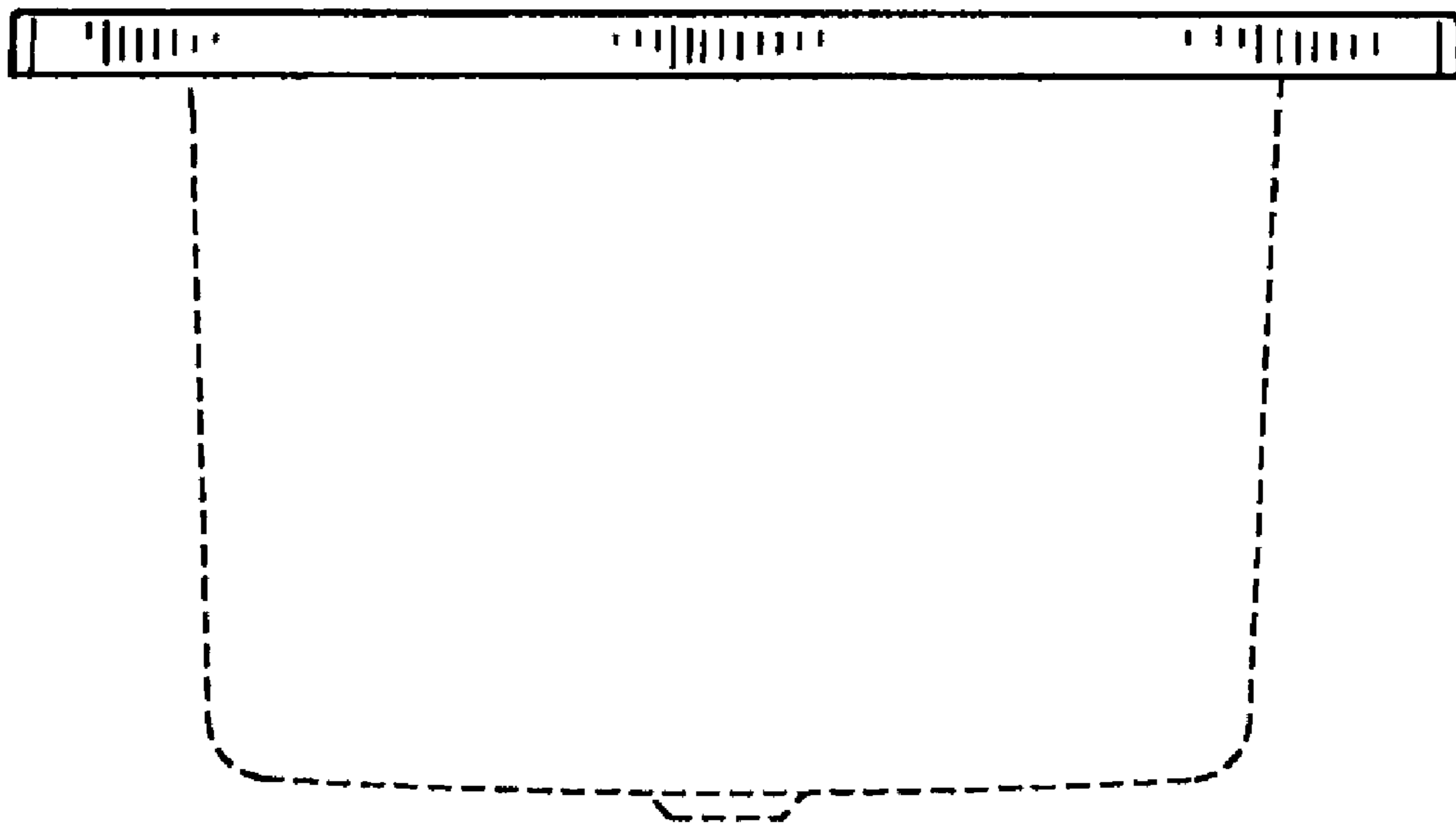


FIG. 5



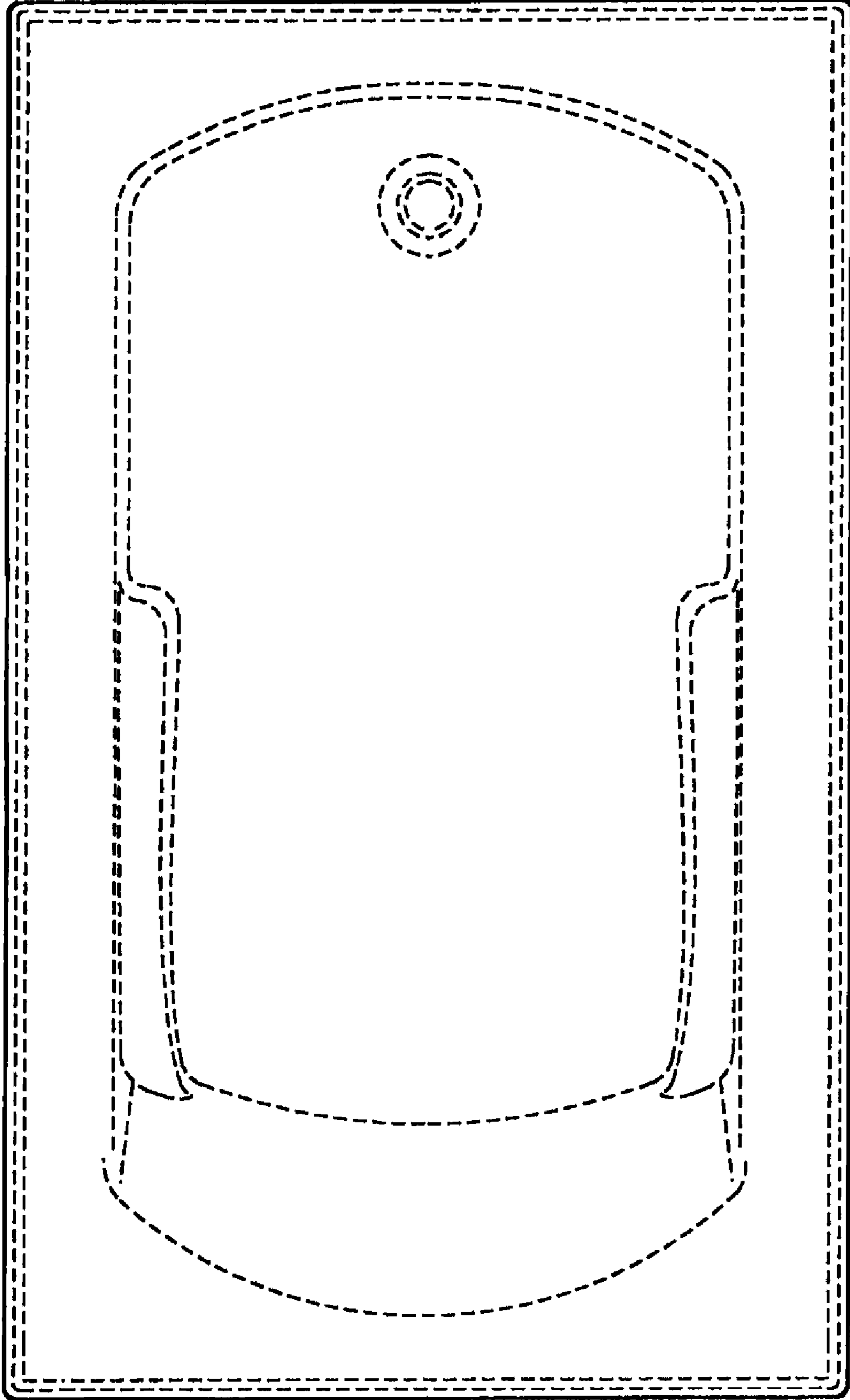


FIG. 6