



US00D619223S

(12) **United States Design Patent**
Sofield

(10) **Patent No.:** **US D619,223 S**

(45) **Date of Patent:** **** Jul. 6, 2010**

(54) **SPOUT**

(75) Inventor: **William Sofield**, New York, NY (US)

(73) Assignee: **Kohler Co.**, Kohler, WI (US)

(**) Term: **14 Years**

(21) Appl. No.: **29/353,458**

(22) Filed: **Jan. 8, 2010**

Related U.S. Application Data

(62) Division of application No. 29/336,332, filed on Apr. 30, 2009.

(51) **LOC (9) Cl.** **23-01**

(52) **U.S. Cl.** **D23/255**

(58) **Field of Classification Search** D23/238,
D23/241–243, 255–257; 4/675–678; 137/801
See application file for complete search history.

(56) **References Cited**

U.S. PATENT DOCUMENTS

D302,203 S	7/1989	Paul	
D417,262 S	* 11/1999	Caplow	D23/255
D488,539 S	* 4/2004	McKeone	D23/255
D496,717 S	* 9/2004	Svensen et al.	D23/257
D505,994 S	* 6/2005	Blomstrom	D23/252
D530,793 S	* 10/2006	Sutopo	D23/255
D581,493 S	* 11/2008	Gilbert	D23/255

OTHER PUBLICATIONS

Andre Collection. "1000/Julianne". Andre Collection.

* cited by examiner

Primary Examiner—Robert A Delehanty

(74) *Attorney, Agent, or Firm*—Quarles & Brady LLP

(57) **CLAIM**

The ornamental design for a spout, as shown and described.

DESCRIPTION

FIG. 1 is a right, top, front perspective view of a spout embodying my new design;

FIG. 2 is a right side elevational view thereof, the left side elevational view thereof being a mirror image of the right side shown;

FIG. 3 is a top plan view thereof;

FIG. 4 is a bottom plan view thereof;

FIG. 5 is a front elevational view thereof; and,

FIG. 6 is a rear elevational view thereof.

The broken line representations in the figures are for the purpose of illustration only, and form no part of the claimed design.

In a preferred embodiment, the nature of this product is as a plumbing fitting in the form of a spout for filling a bath tub or lavatory.

1 Claim, 2 Drawing Sheets

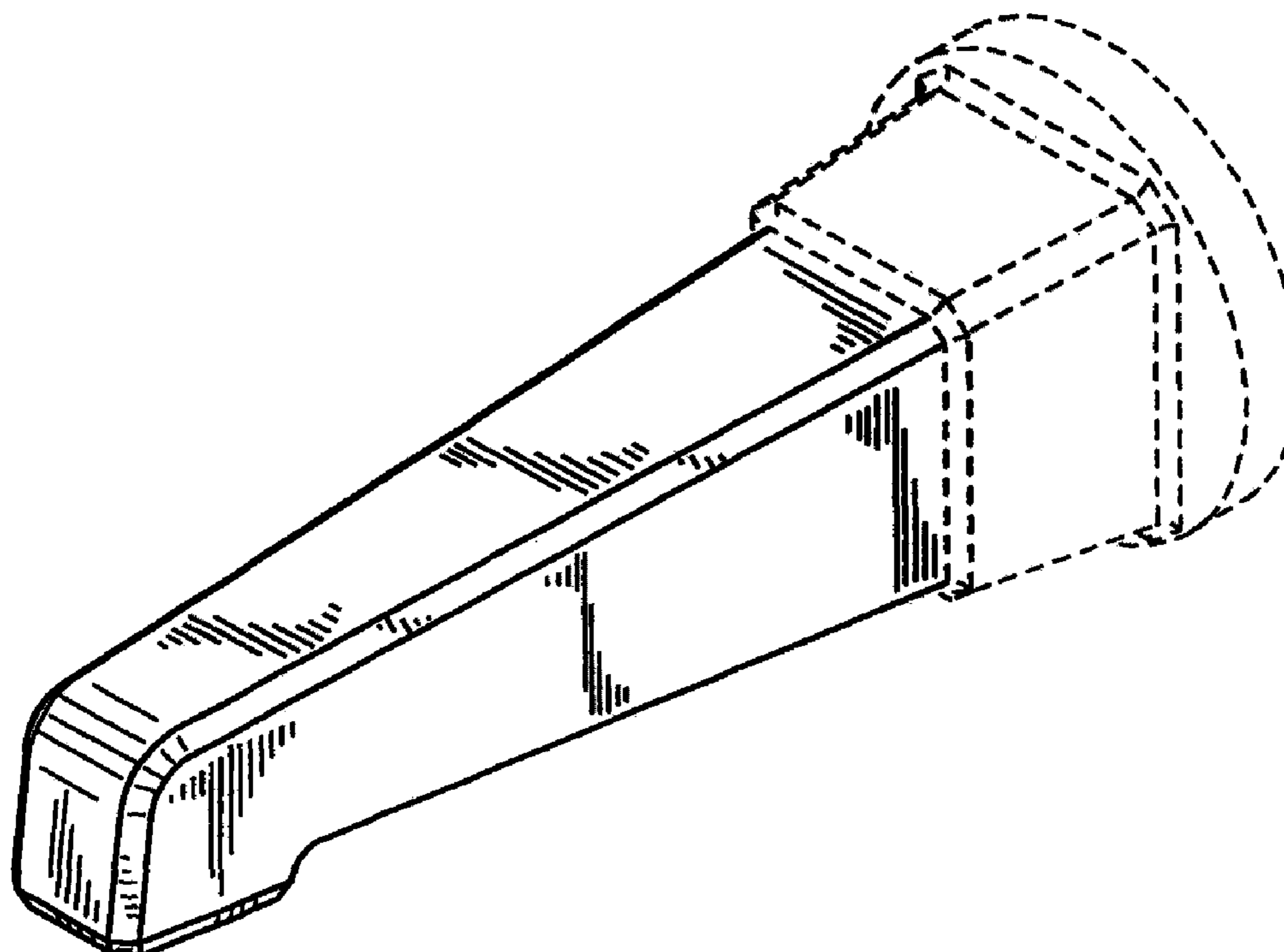


FIG. 1

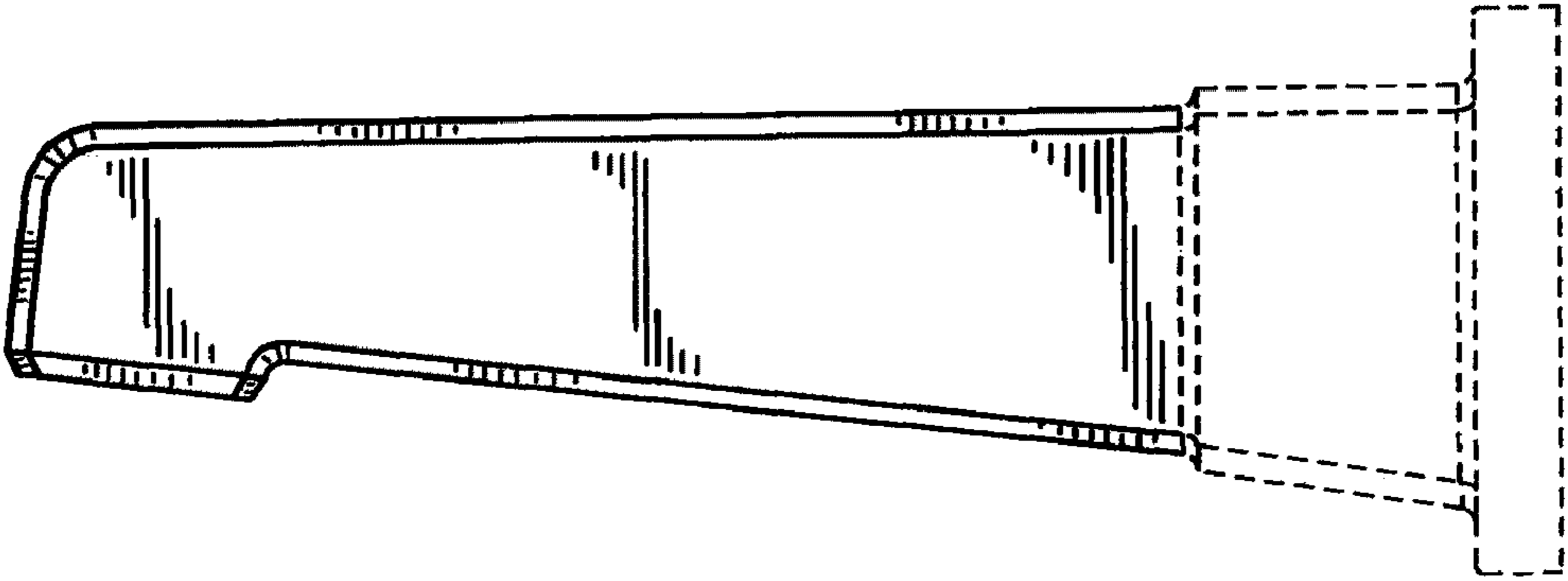
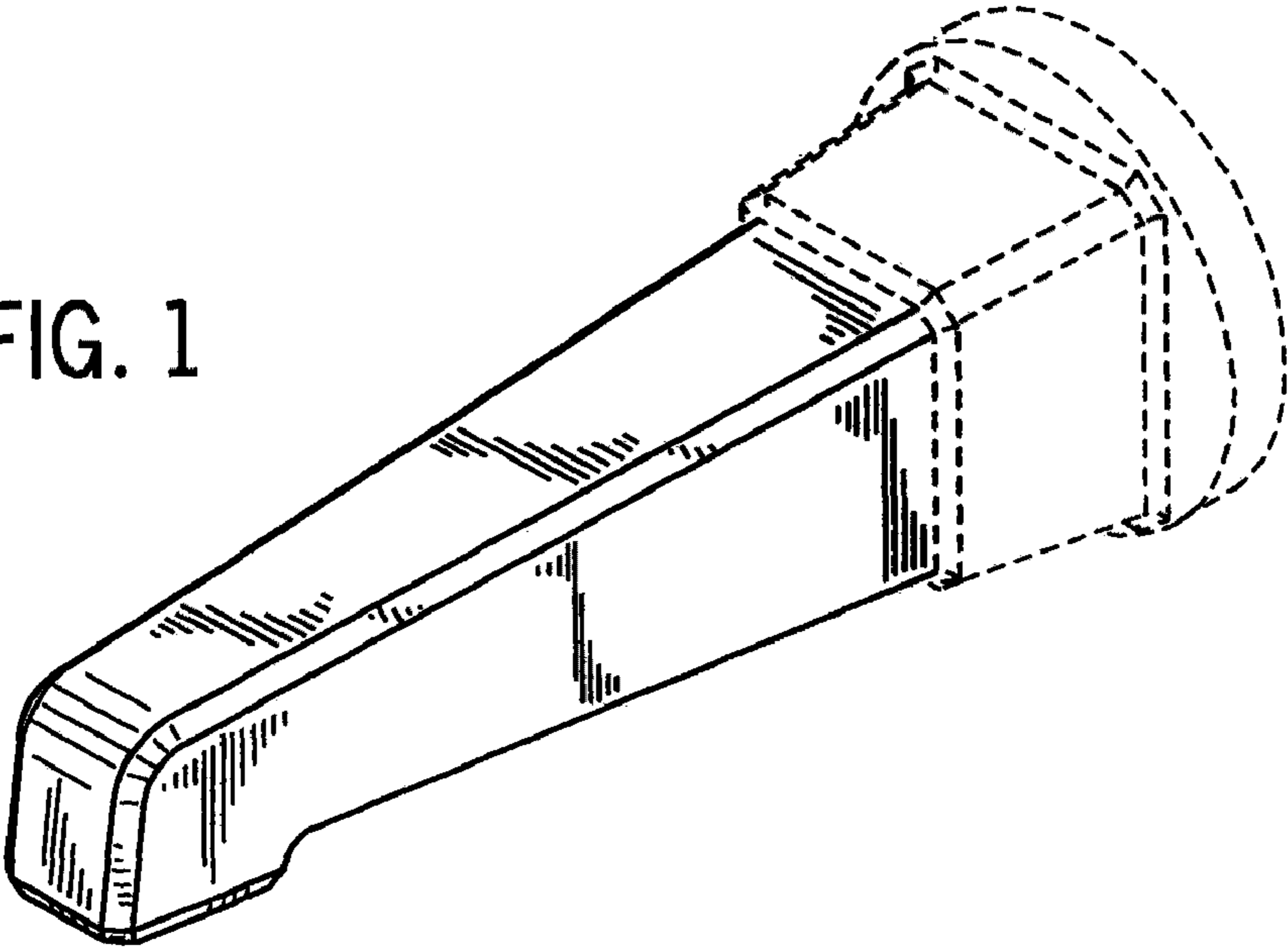


FIG. 2

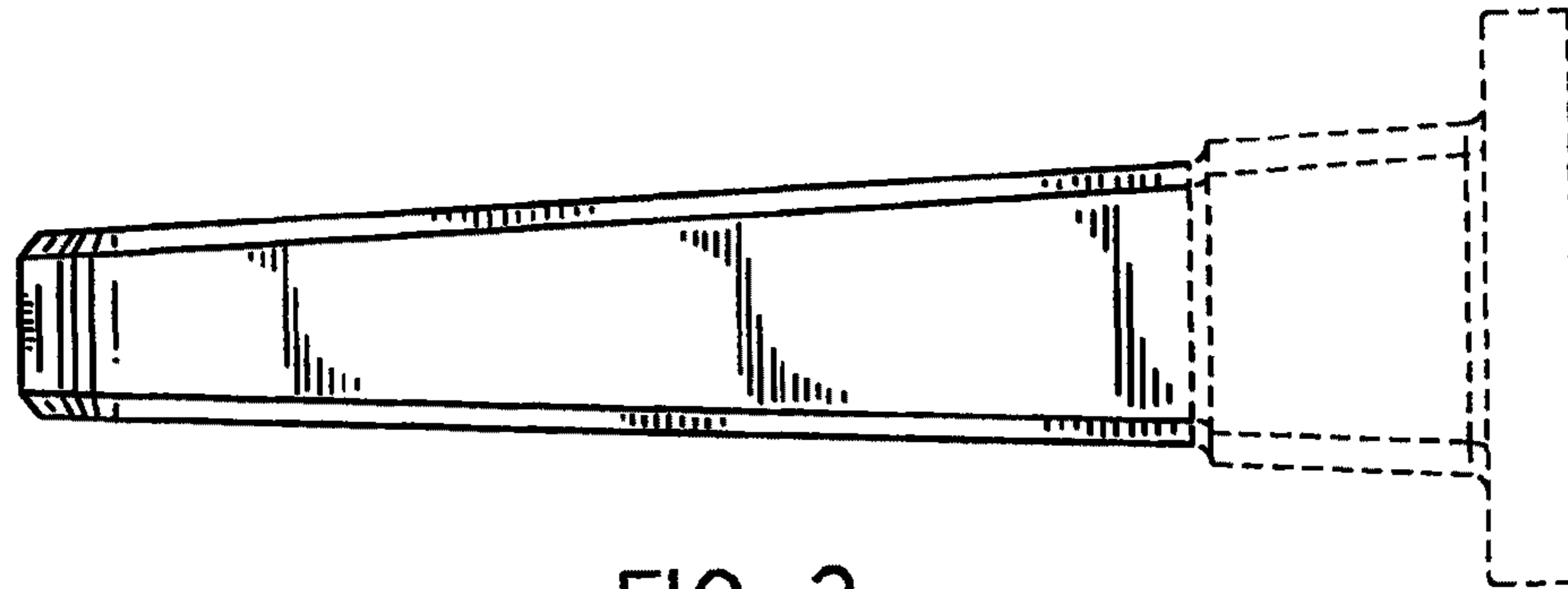


FIG. 3

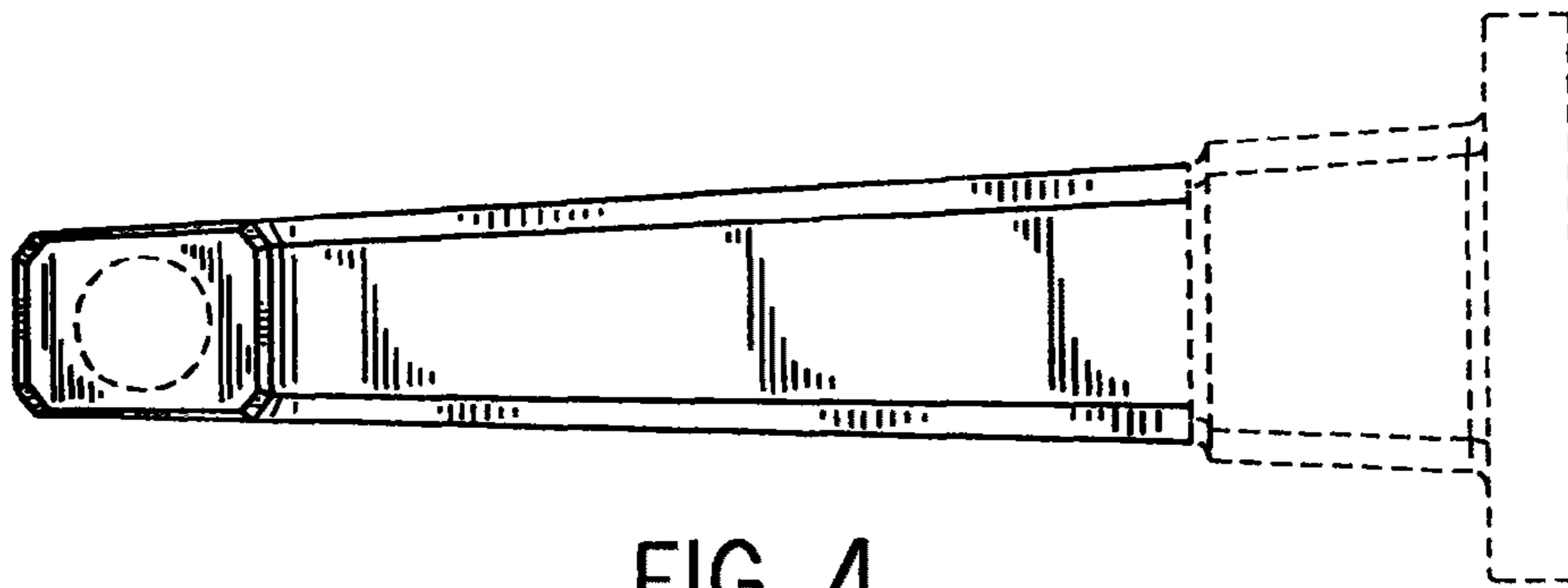


FIG. 4

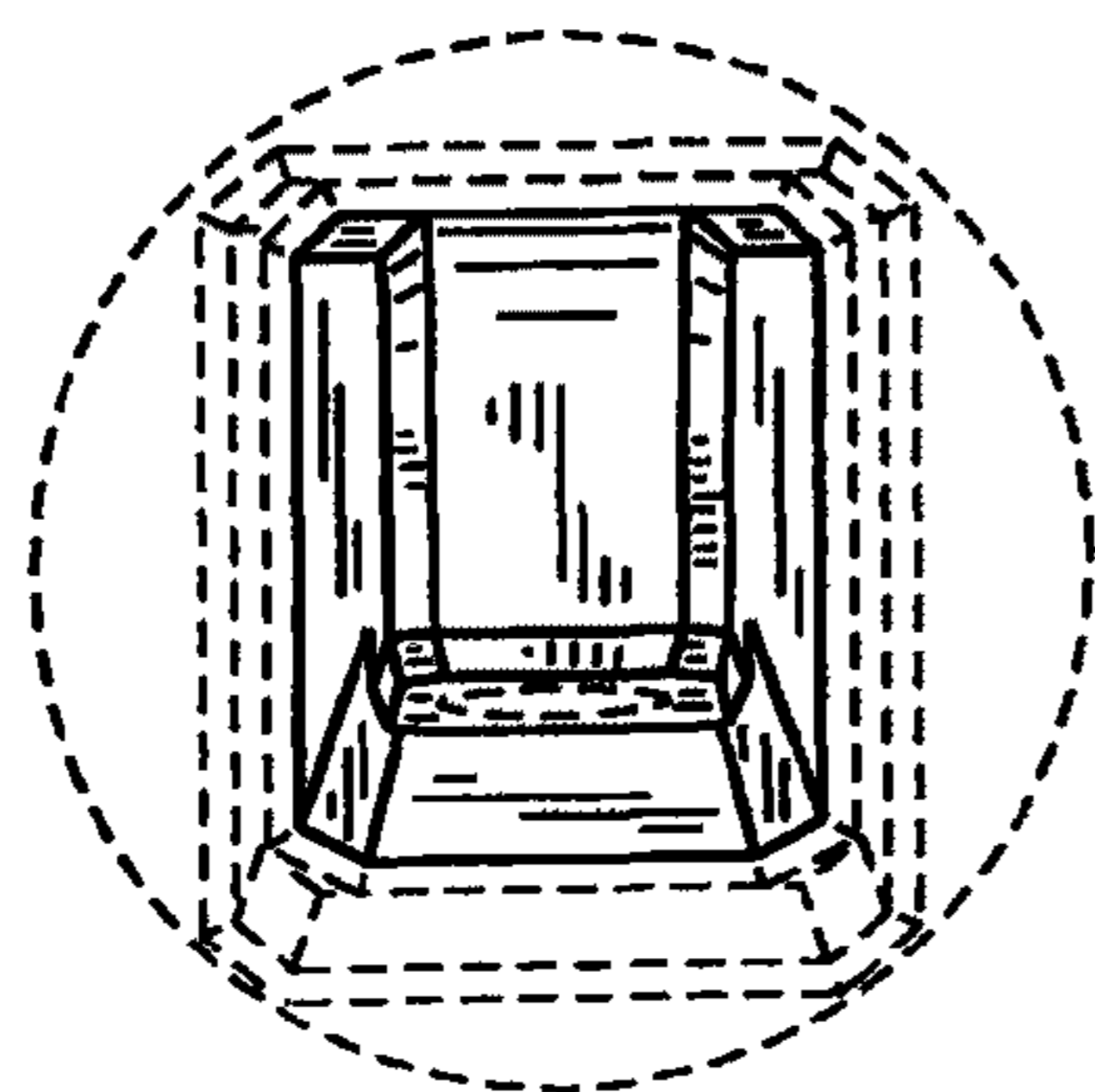


FIG. 5

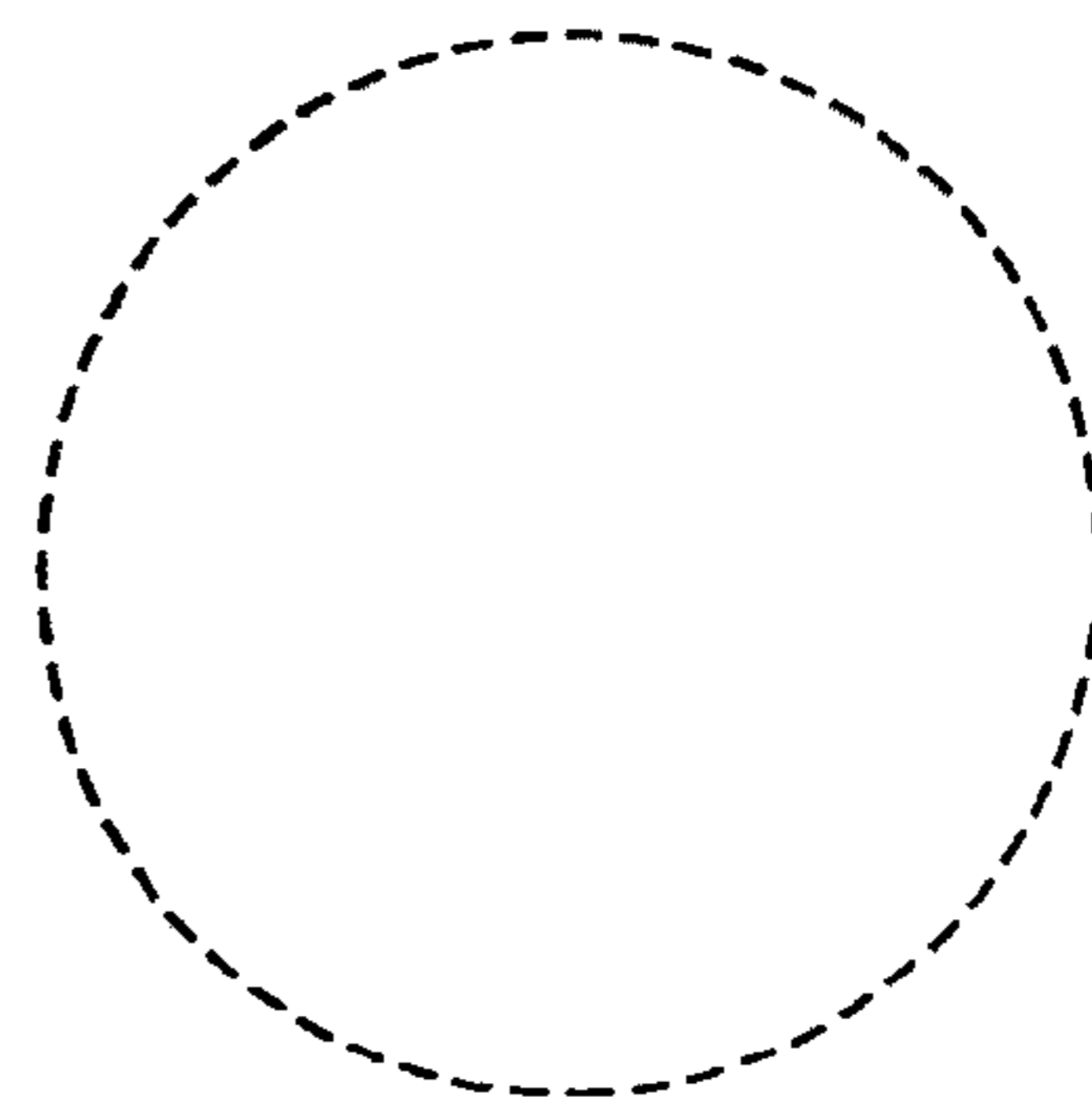


FIG. 6