



US00D619222S

(12) **United States Design Patent**  
**Smith et al.**

(10) **Patent No.:** **US D619,222 S**  
(45) **Date of Patent:** **\*\* Jul. 6, 2010**

(54) **FITTING ELEMENT**

(75) Inventors: **Michael S. Smith**, Santa Monica, CA (US); **William C. McKeone**, Sheboygan, WI (US)

(73) Assignee: **Kohler Co.**, Kohler, WI (US)

(\*\*) Term: **14 Years**

(21) Appl. No.: **29/338,046**

(22) Filed: **Jun. 3, 2009**

(51) **LOC (9) Cl.** ..... **23-01**

(52) **U.S. Cl.** ..... **D23/250**

(58) **Field of Classification Search** ..... D23/238–243, D23/250, 252–254; 4/676–678; 137/801, 137/359; 16/110.1; D8/350–353; D6/550

See application file for complete search history.

(56) **References Cited**

**U.S. PATENT DOCUMENTS**

D263,989 S	4/1982	Fleischmann et al.	
D265,118 S	6/1982	Fleischmann et al.	
D312,497 S	11/1990	Paul	
D419,372 S	1/2000	Cheng	
D463,012 S	9/2002	Otero et al.	
D520,791 S *	5/2006	Solowiej	..... D6/550
D575,565 S	8/2008	Gilbert	
D577,937 S	10/2008	Krumpe	
D579,529 S	10/2008	Bickler et al.	
D582,001 S	12/2008	Yuan	
D582,522 S	12/2008	Hanna	
D600,479 S *	9/2009	Gao	..... D6/524
D602,573 S *	10/2009	Smith et al.	..... D23/252

**OTHER PUBLICATIONS**

Kallista. “Athos” Select Basin Set with Amphora spout. Model No. L21722-00-PB. Kallista catalog, p. 3.11. Copyright 2001 Kallista, Inc.

Kohler Co. “Cygnet Series”. Model No. K-6762-IV. Kohler Catalog. Copyright Apr. 1988.

Kallista. Barbara Barry Tuxedo Basin Set, Reeded Handles, Black. Model No. P24000-RB. Kallista online catalog.

Allied Brass Venus Collection. Toilet Tissue Holder. Model No. alb424. Knobgallery.com online catalog. Copyright 2007 Neu’s Building Center Inc.

Kohler Co. “IV Georges Brass”. Kohler Co. Catalog.

\* cited by examiner

*Primary Examiner*—Robert A Delehanty

(74) *Attorney, Agent, or Firm*—Quarles & Brady LLP

(57) **CLAIM**

The ornamental design for a fitting element, as shown and described.

**DESCRIPTION**

FIG. 1 is a top, right, front perspective view of a fitting element according to our new design;

FIG. 2 is a front elevational view thereof, the rear elevational view thereof being a mirror image of the front shown;

FIG. 3 is a top plan view thereof;

FIG. 4 is a right side elevational view thereof, the left side elevational view thereof being a mirror image of the right side shown; and,

FIG. 5 is a bottom plan view thereof.

The broken line representations in the figures are for the purpose of illustration only, and form no part of the claimed design.

In a preferred embodiment, the nature of this product is an element of a fitting, including a plumbing fitting, such as a faucet handle and bonnet, or a support fitting for supporting items in a bathroom, such as a towel bar, paper holder or robe hook, or portion thereof.

**1 Claim, 2 Drawing Sheets**

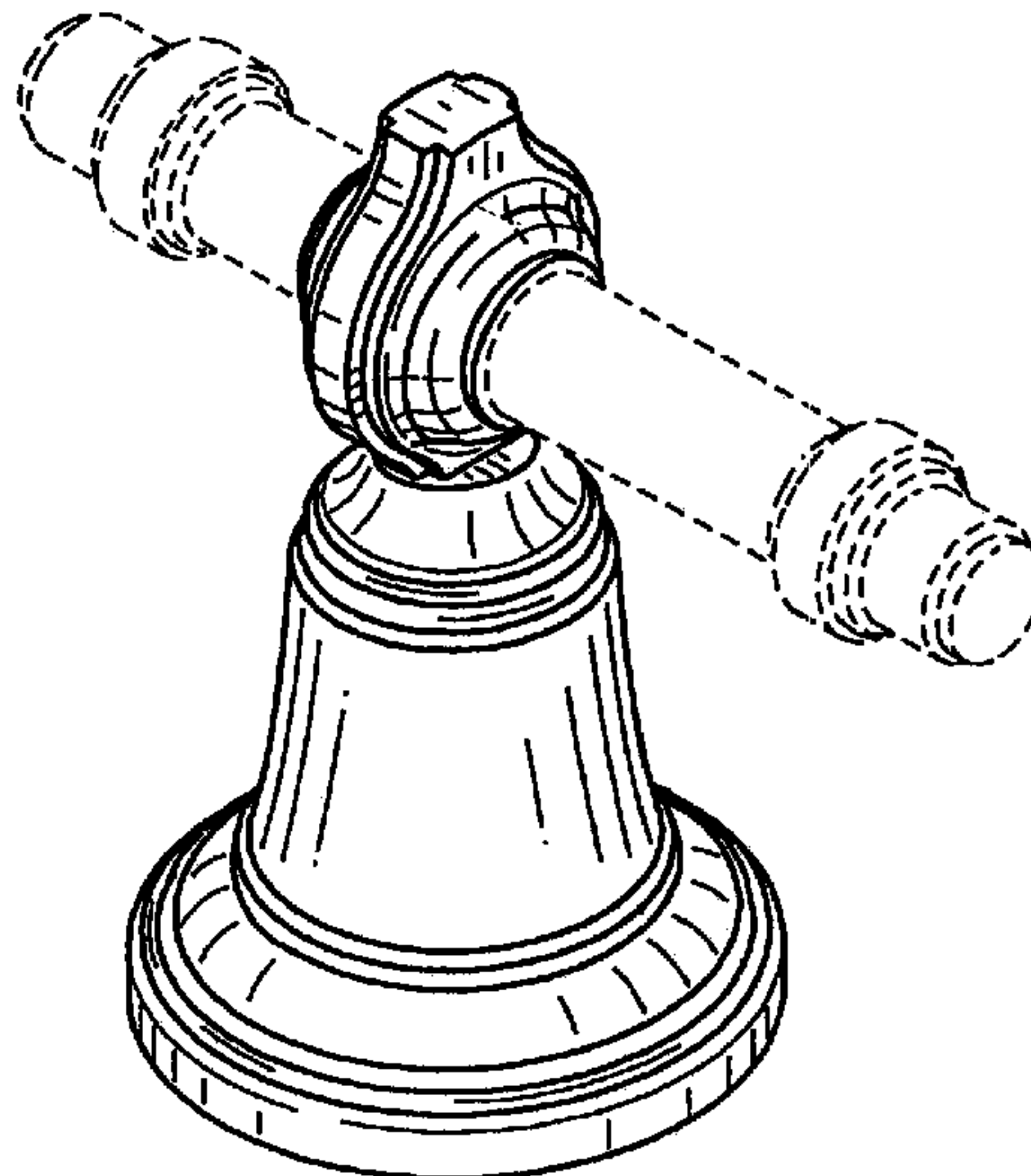


FIG. 1

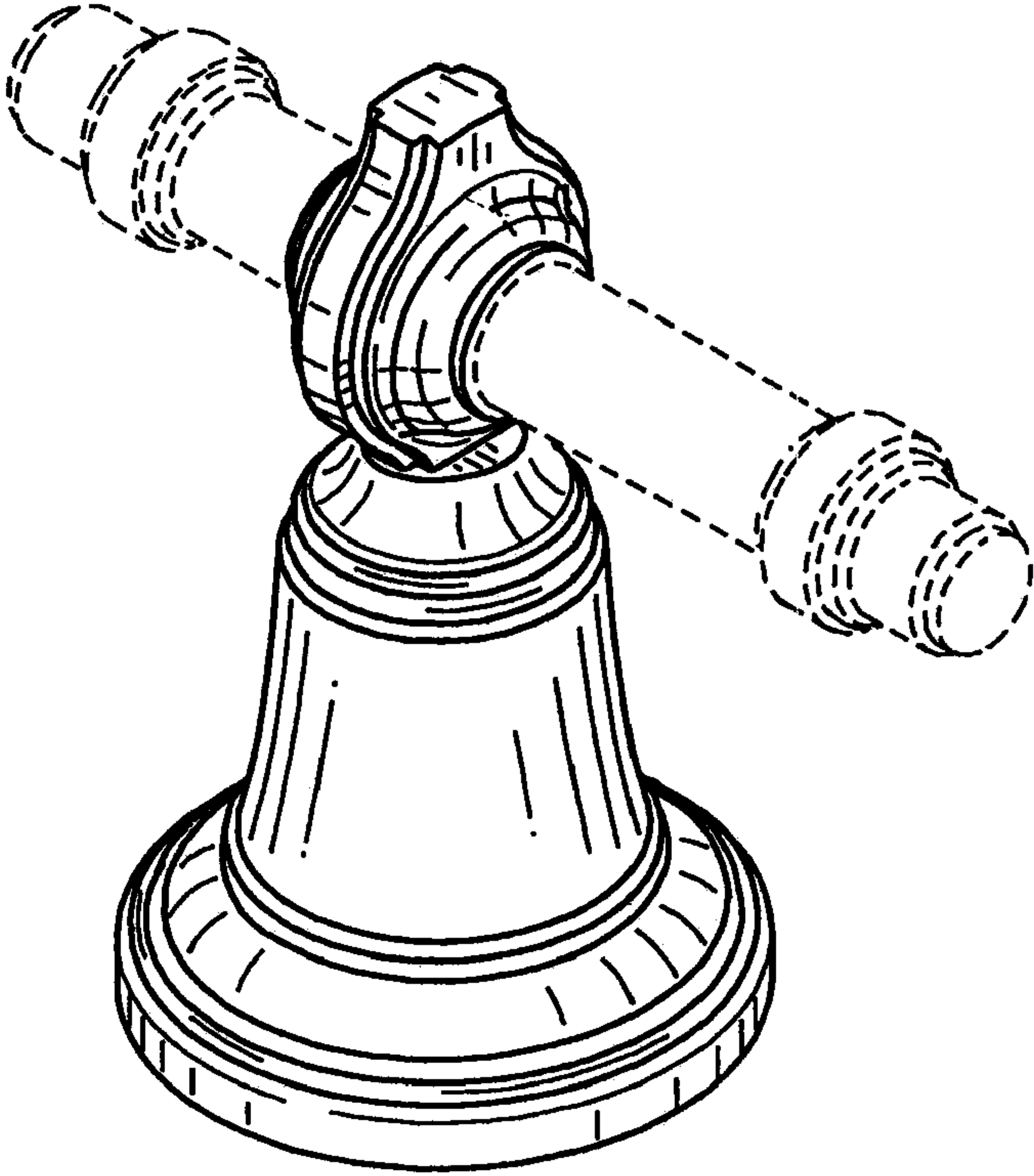
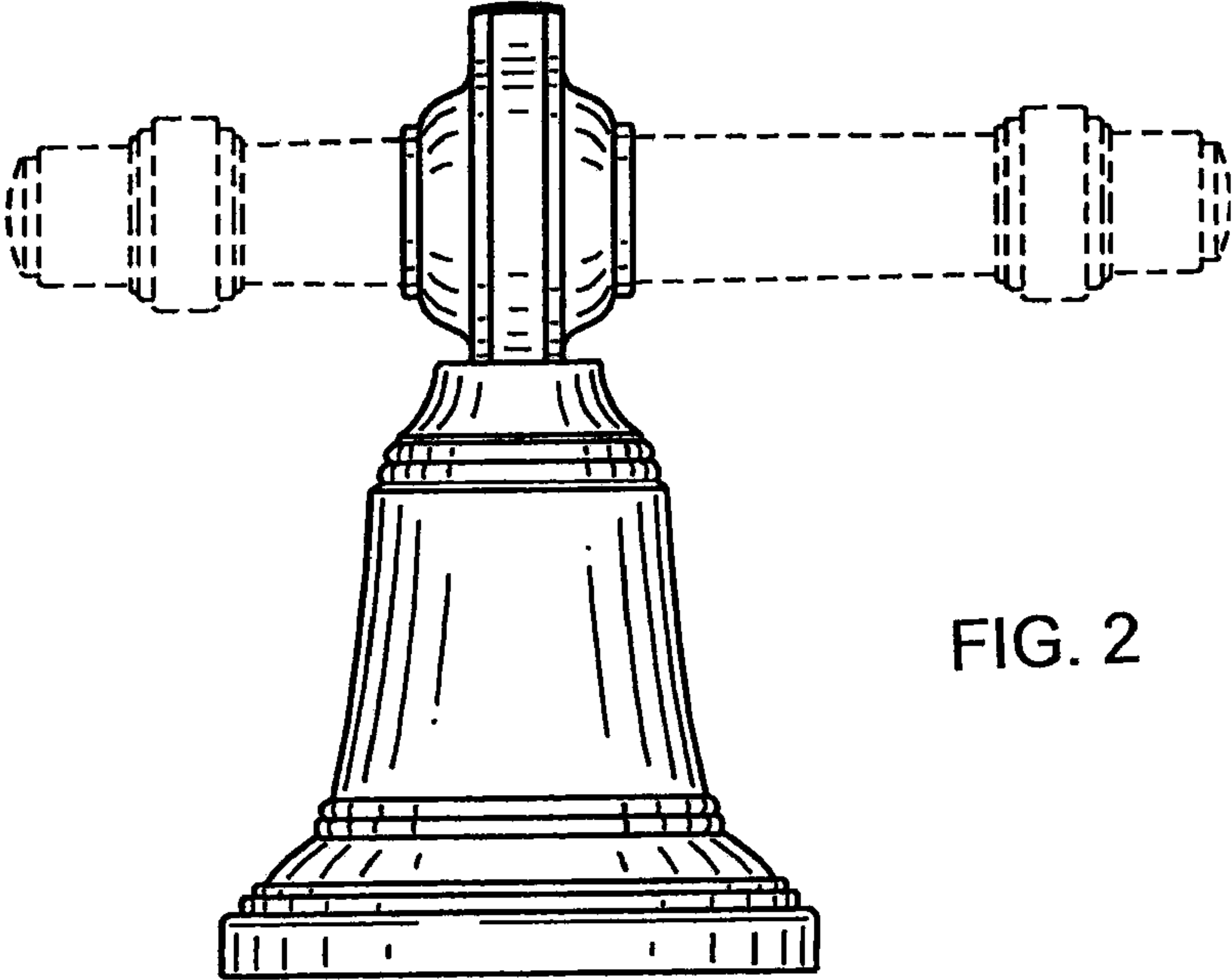


FIG. 2



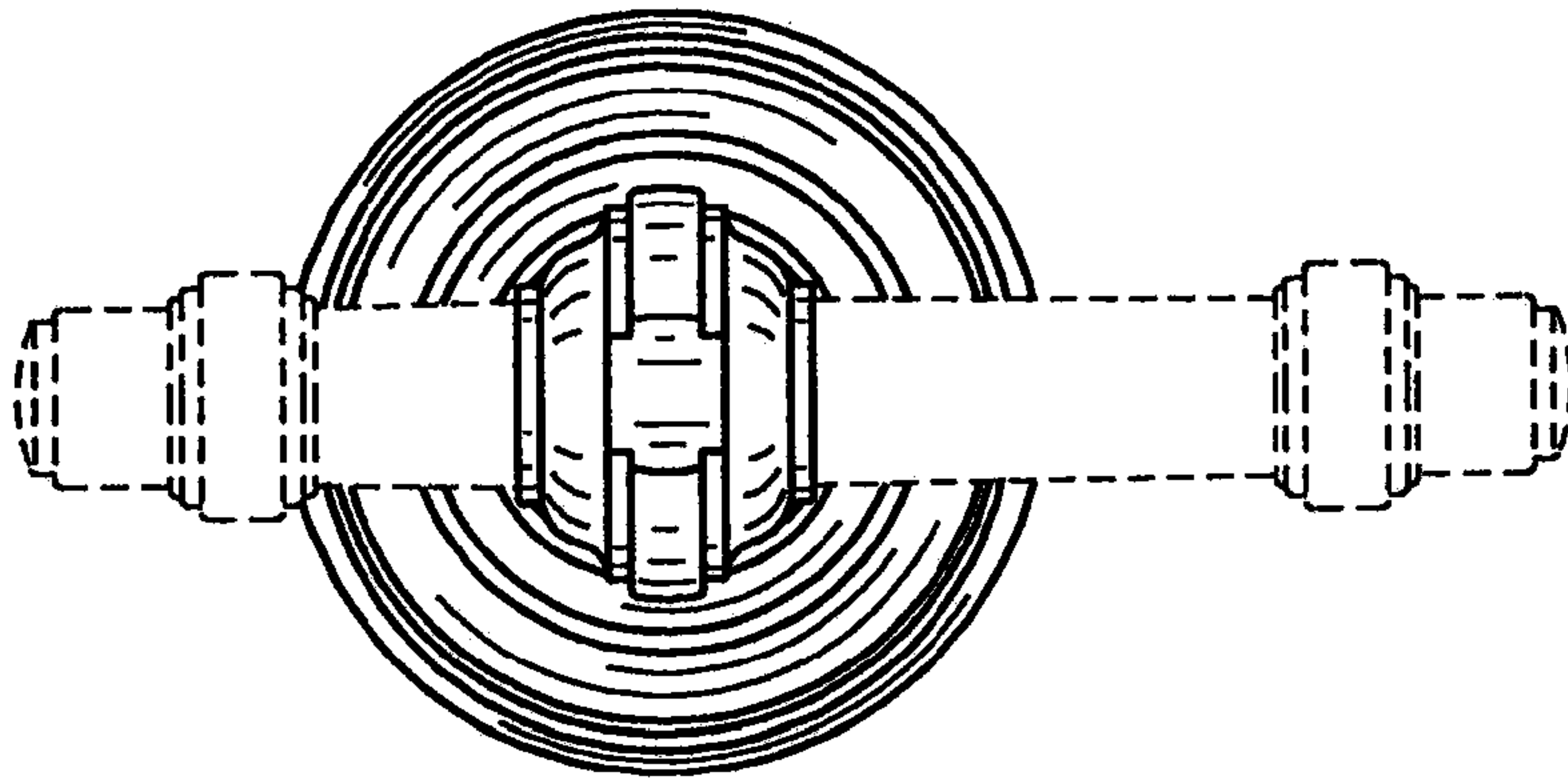


FIG. 3

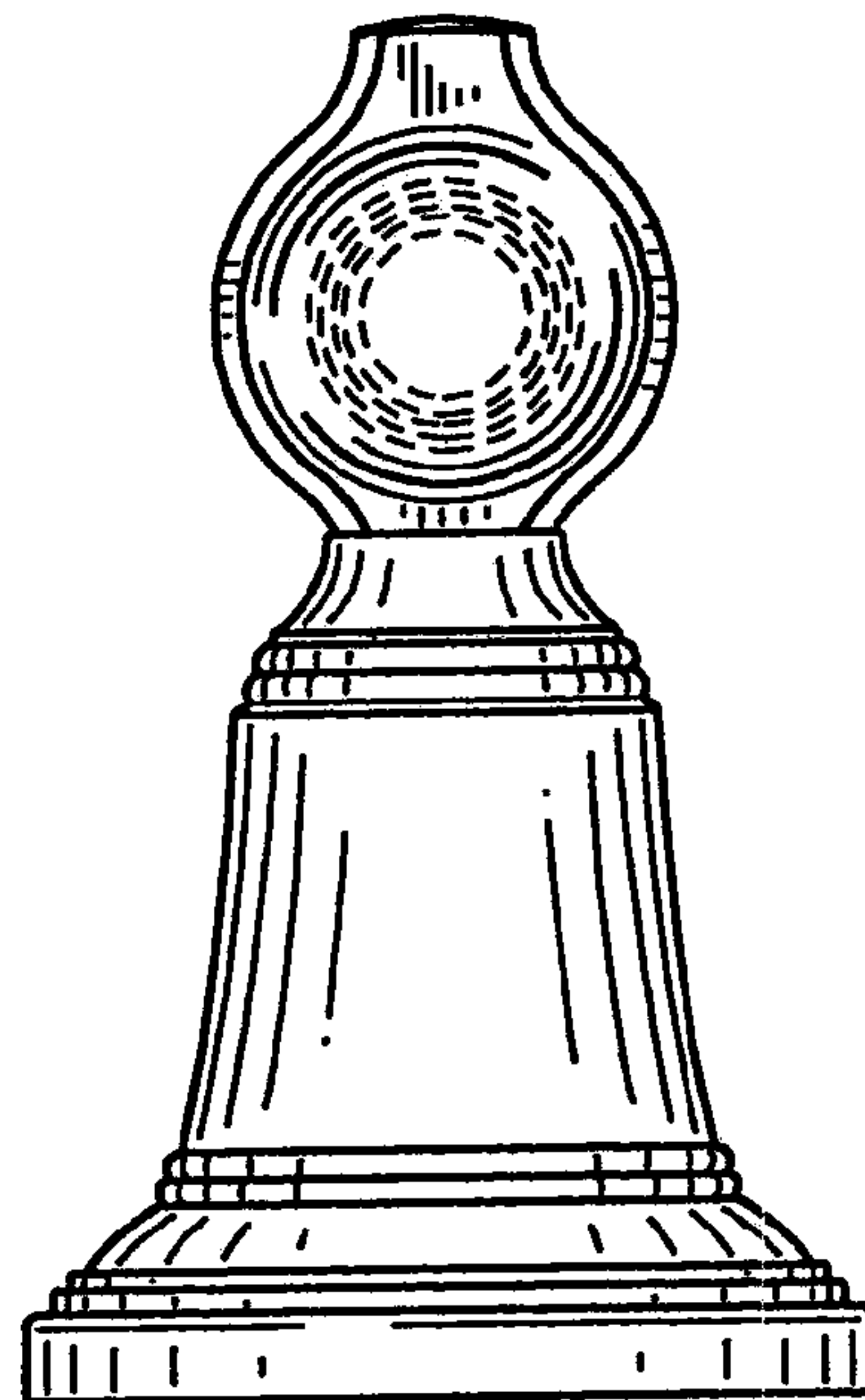


FIG. 4

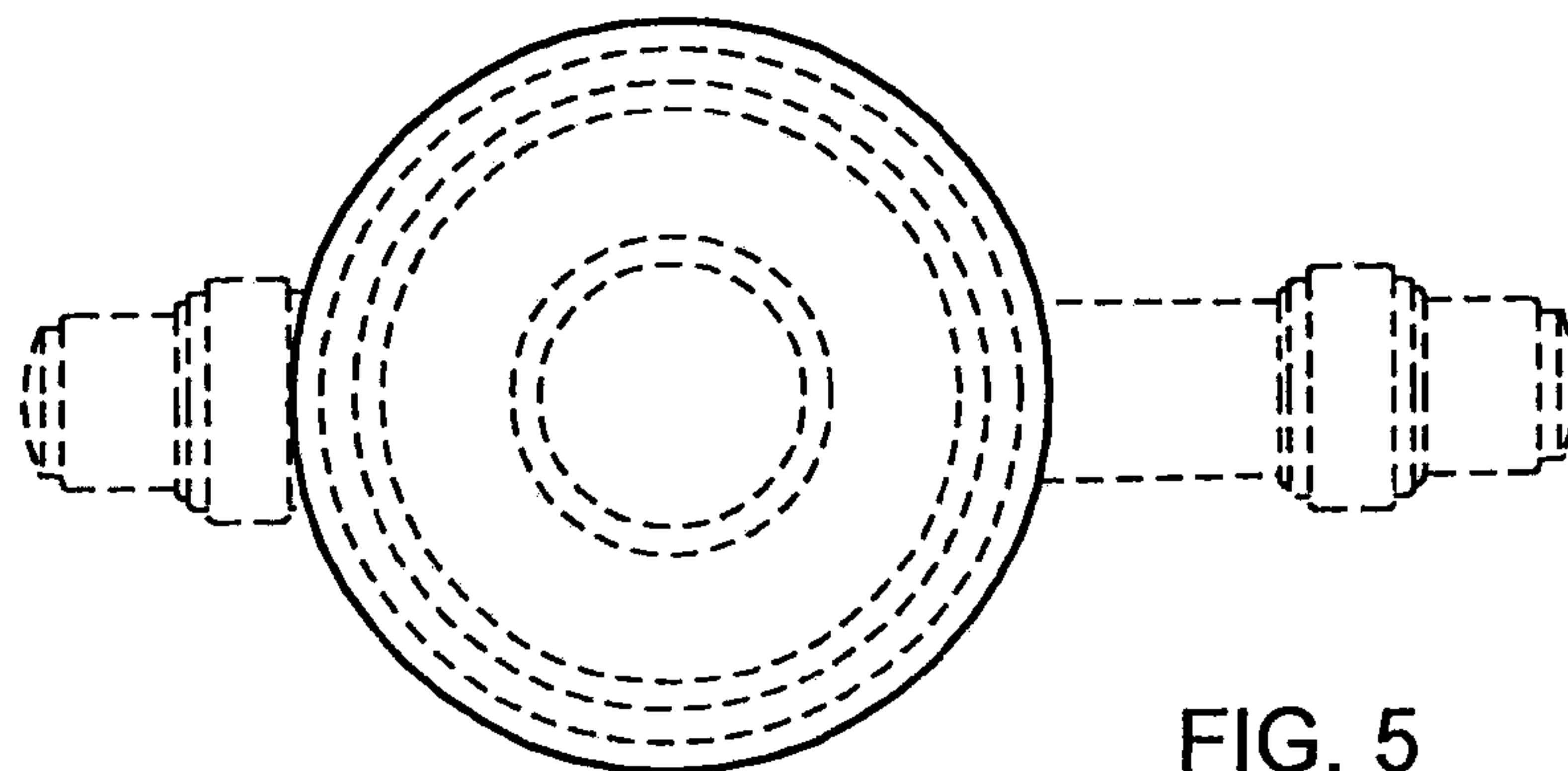


FIG. 5