



US00D619221S

(12) **United States Design Patent**  
**Kulig**

(10) **Patent No.:** **US D619,221 S**  
(45) **Date of Patent:** **\*\* Jul. 6, 2010**

(54) **FAUCET**

(75) Inventor: **Zbigniew Kulig**, Wadworth, IL (US)

(73) Assignee: **Graff Faucets**, Milwaukee, WI (US)

(\*\*) Term: **14 Years**

(21) Appl. No.: **29/324,662**

(22) Filed: **Sep. 17, 2008**

(51) **LOC (9) Cl.** ..... **23-01**

(52) **U.S. Cl.** ..... **D23/242**

(58) **Field of Classification Search** ..... D23/200,  
D23/238-257; D6/512, 546, 550; D8/300,  
D8/307-308, 310-312, 321; 4/675-678;  
137/801; 16/110.1, 441

See application file for complete search history.

(56) **References Cited**

**U.S. PATENT DOCUMENTS**

D265,229 S *	6/1982	Paul	.....	D23/242
D479,583 S *	9/2003	Citterio	.....	D23/242
D492,392 S *	6/2004	Pohl et al.	.....	D23/242
D509,283 S *	9/2005	Sieger	.....	D23/238
D510,611 S *	10/2005	Jorgensen et al.	.....	D23/238
D510,978 S	10/2005	Kulig		
D510,982 S *	10/2005	Paini	.....	D23/241
D511,201 S	11/2005	Kulig et al.		
D529,586 S	10/2006	Kulig		
D540,916 S *	4/2007	Toyohara	.....	D23/241
D546,421 S	7/2007	Kulig et al.		
D566,815 S *	4/2008	Wang	.....	D23/242
D570,450 S *	6/2008	Dolan	.....	D23/241

D579,089 S *	10/2008	Dolan	.....	D23/255
D582,525 S *	12/2008	Downey	.....	D23/255
D607,088 S *	12/2009	Lammel et al.	.....	D23/242
D607,545 S *	1/2010	Obara	.....	D23/255

**OTHER PUBLICATIONS**

Kulig, U.S. Appl. No. 29/302,680, filed Jan. 22, 2008, entitled "Faucet".

\* cited by examiner

*Primary Examiner*—T. Chase Nelson

*Assistant Examiner*—Mark Cavanna

(74) *Attorney, Agent, or Firm*—Boyle Fredrickson, S.C.

(57) **CLAIM**

The ornamental design for a faucet, as shown and described.

**DESCRIPTION**

FIG. 1 is perspective view of a faucet incorporating my new design, viewed from in front of, above, and from the left side of the faucet;

FIG. 2 is a front elevation view thereof;

FIG. 3 is a rear elevation view thereof;

FIG. 4 is a top plan view thereof;

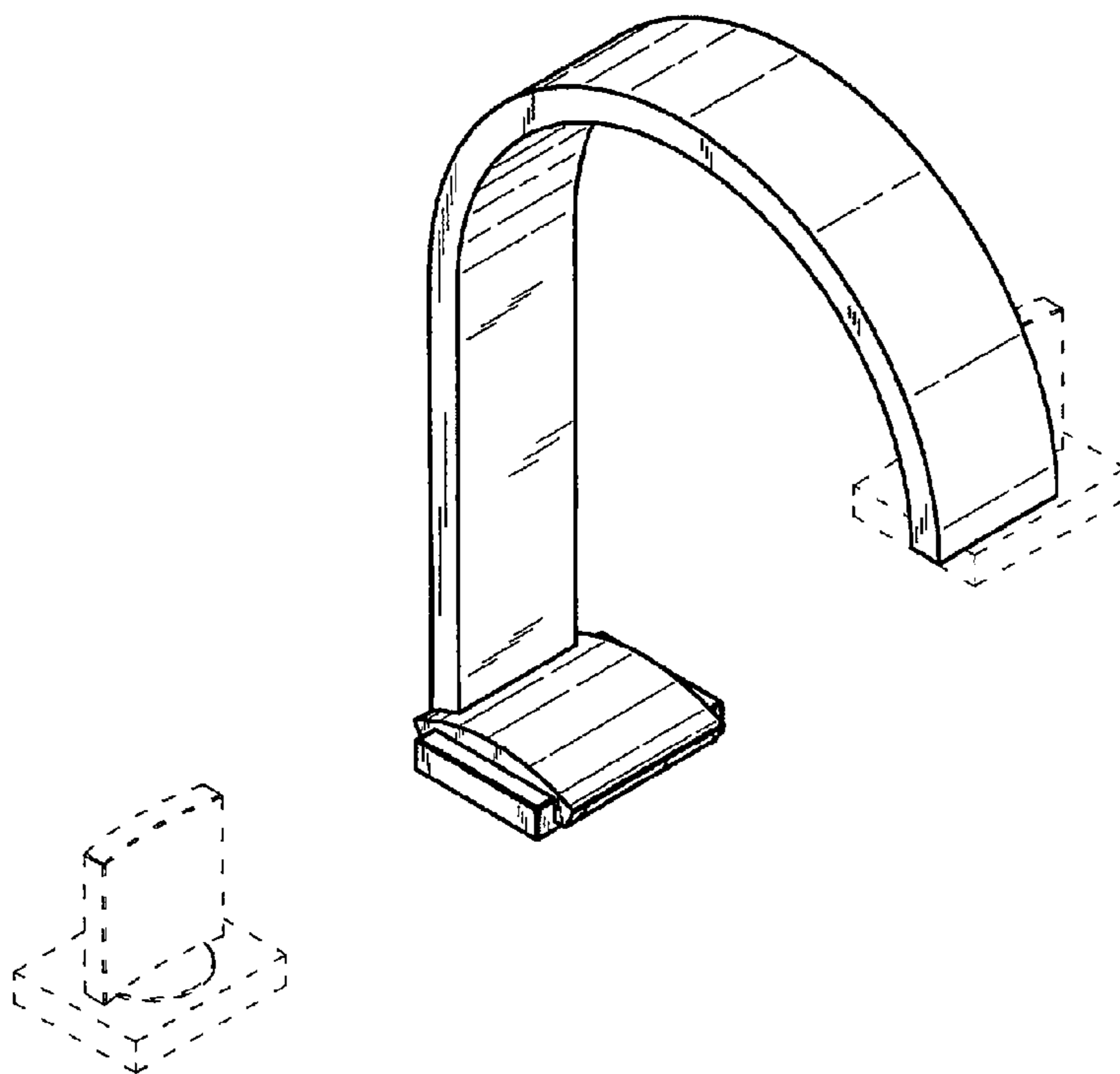
FIG. 5 is a bottom plan view thereof;

FIG. 6 is a left-side elevation view thereof; and,

FIG. 7 is a right-side elevation view thereof.

The broken lines shown are included for the purpose of illustrating a portion of the faucet that forms no part of the claimed design.

**1 Claim, 7 Drawing Sheets**



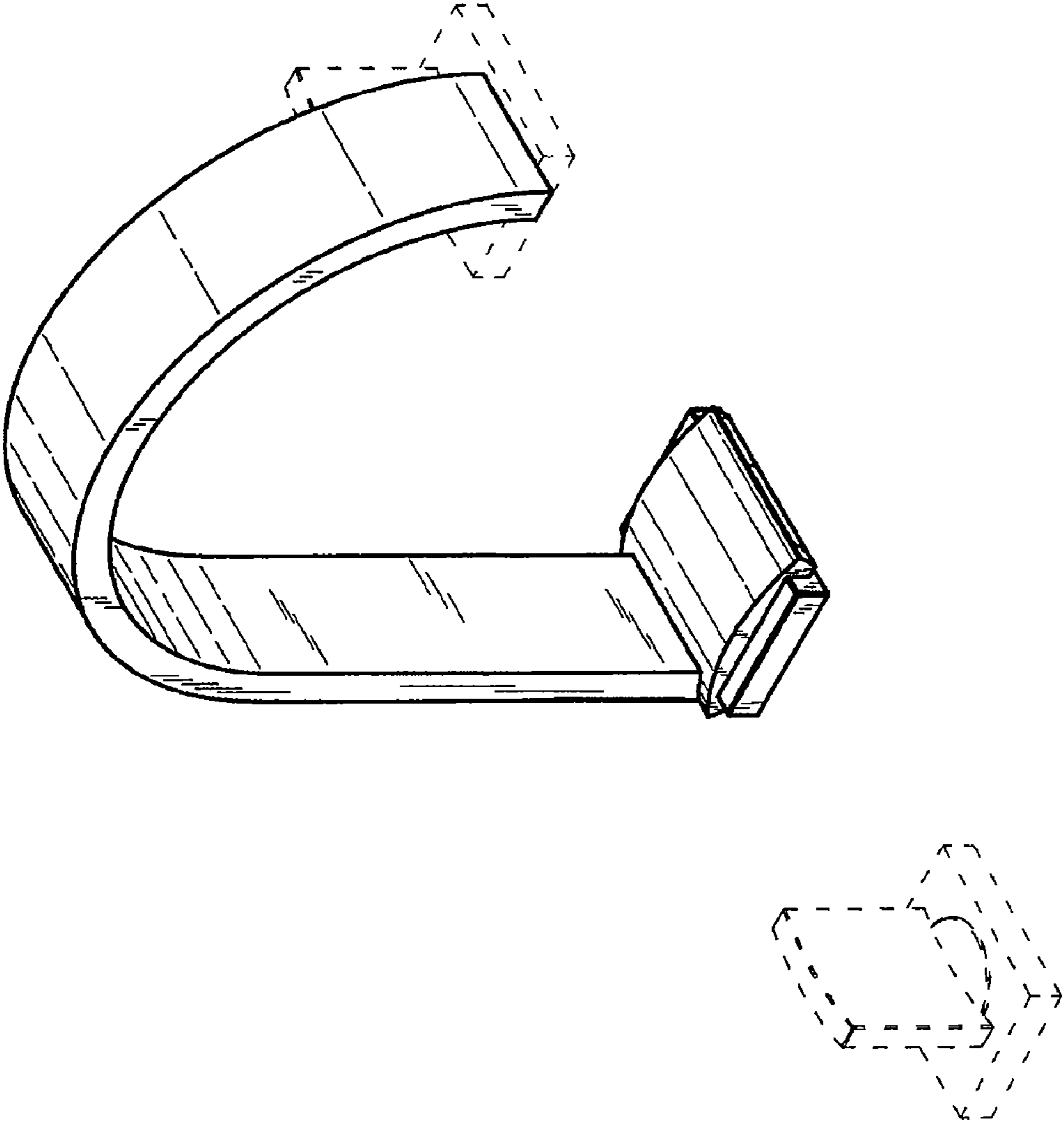


FIG. 1

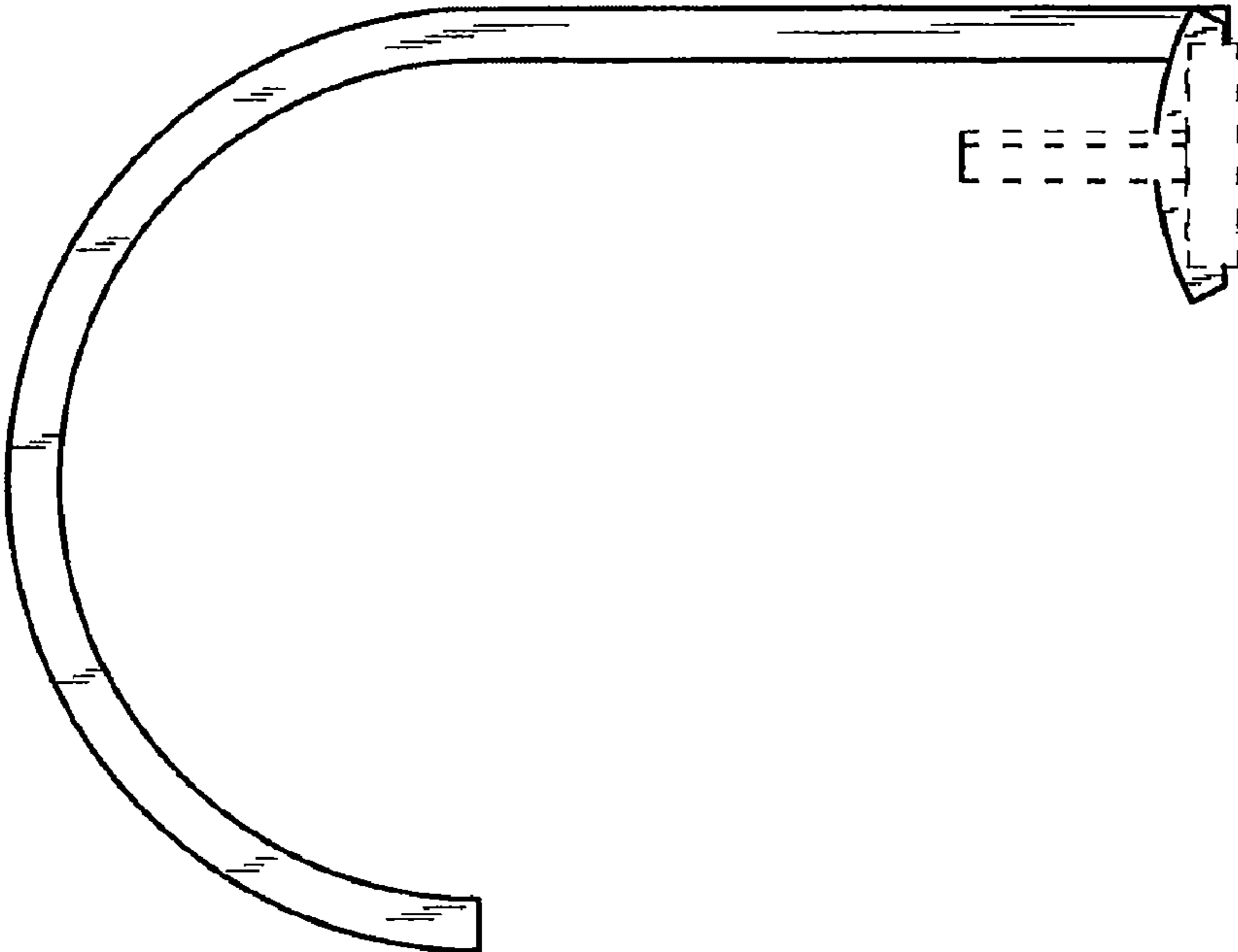


FIG. 2

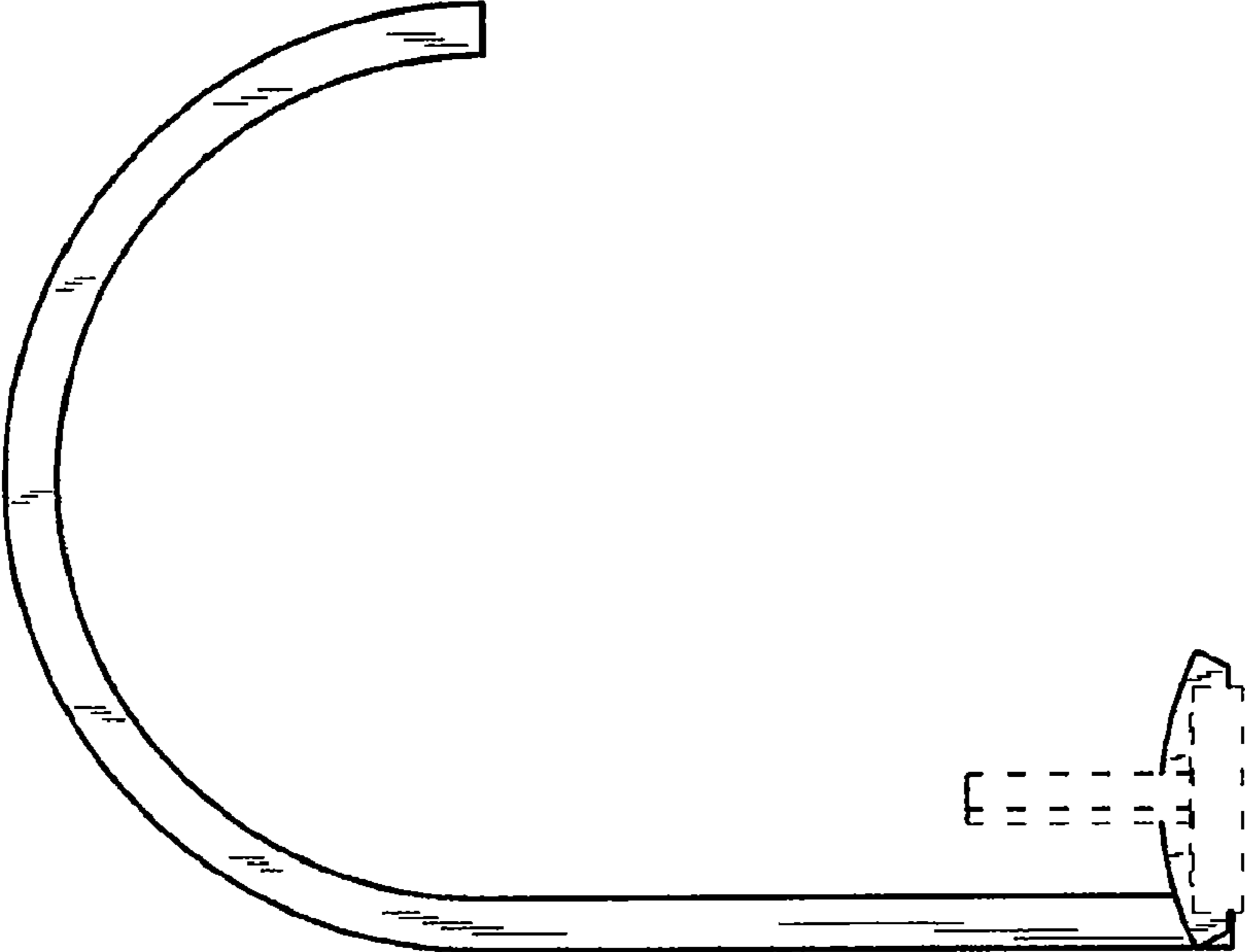


FIG. 3

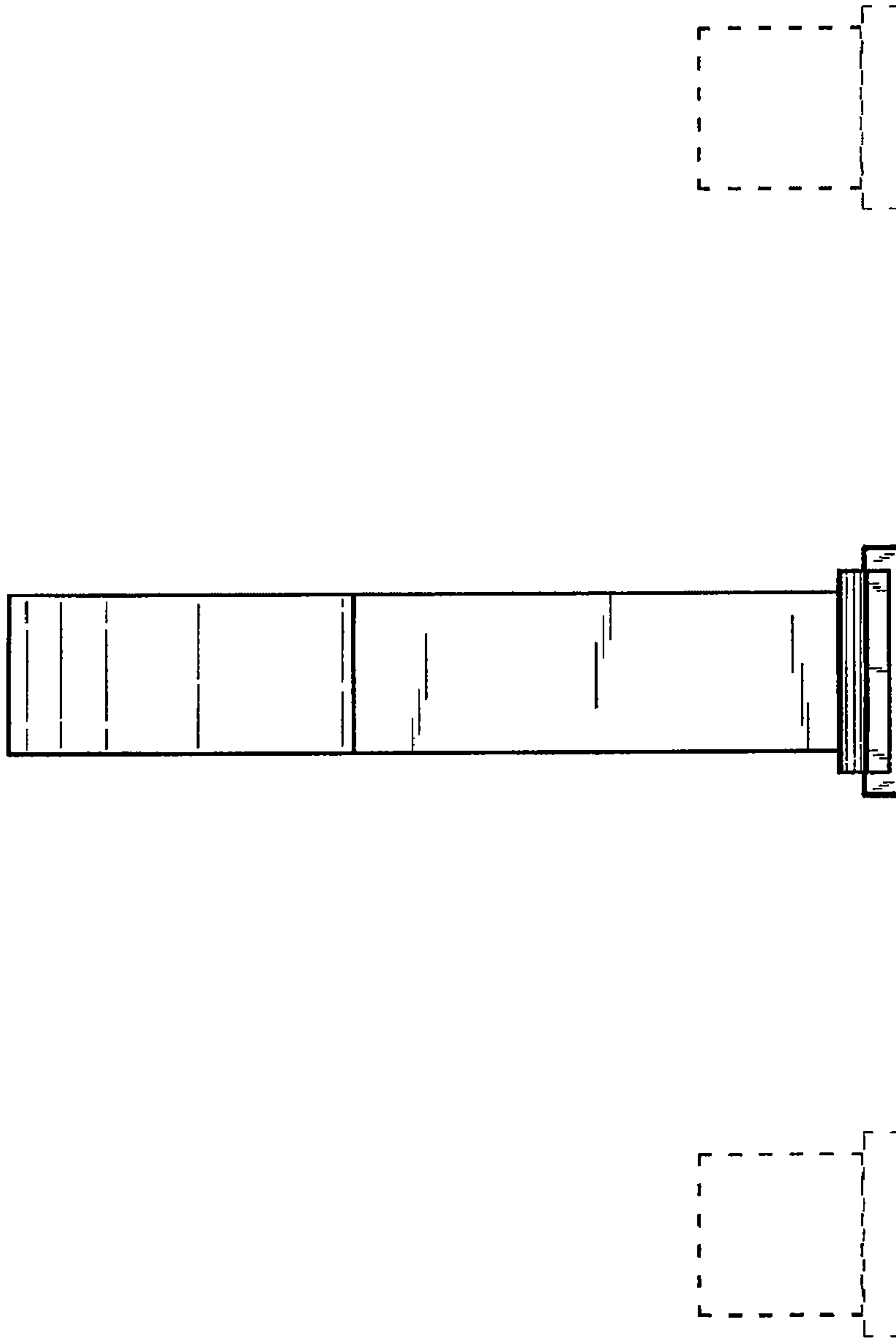


FIG. 4

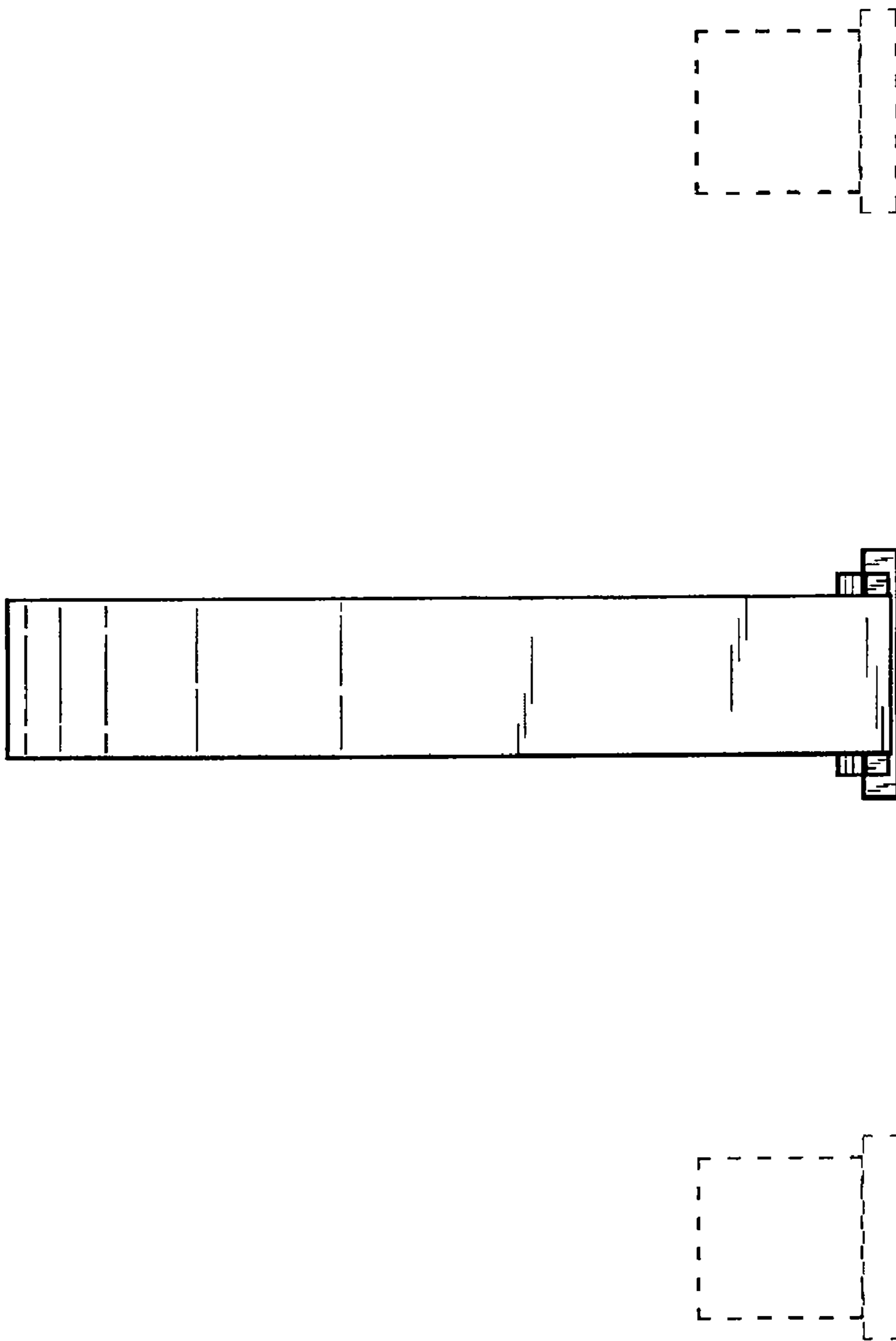


FIG. 5

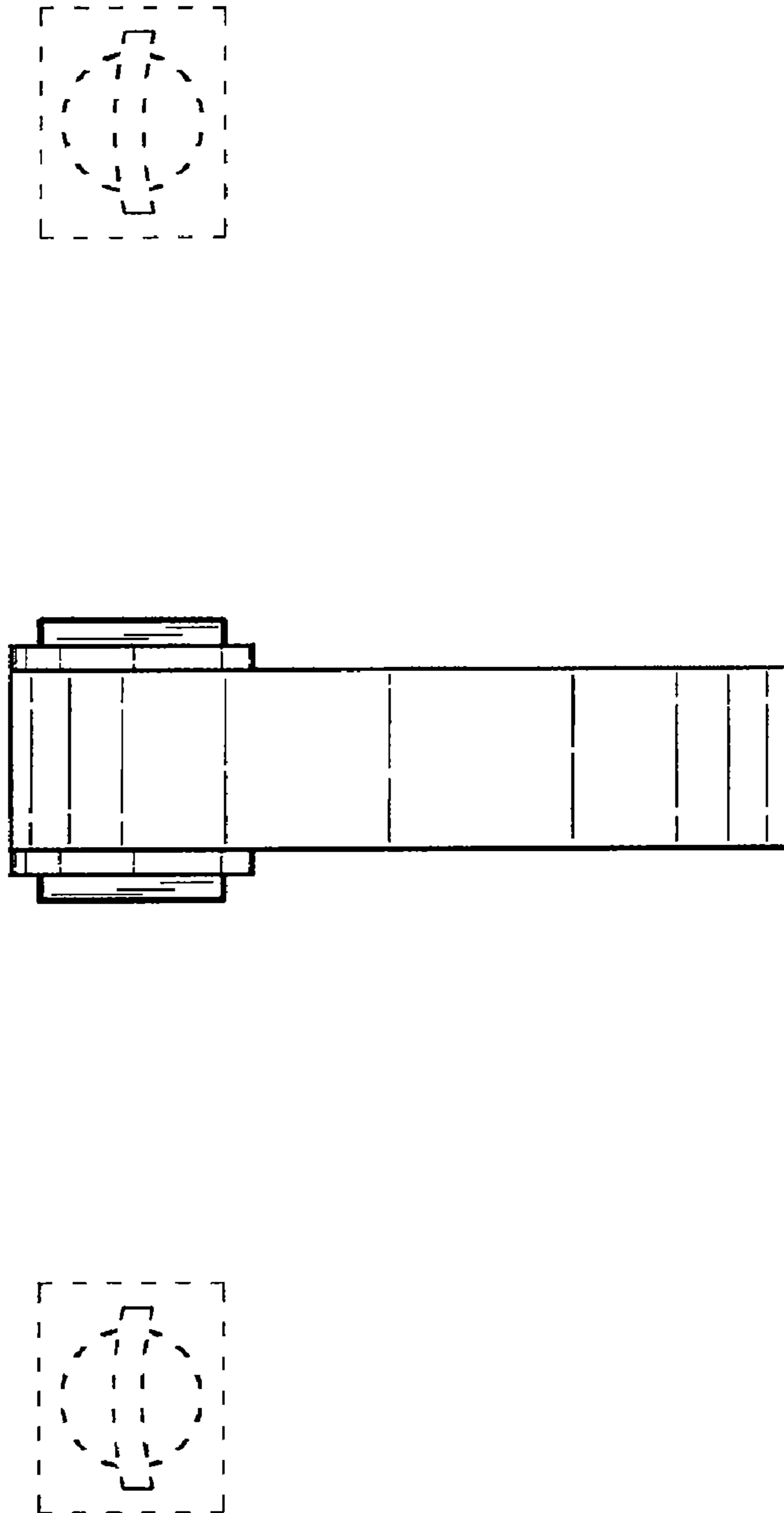


FIG. 6

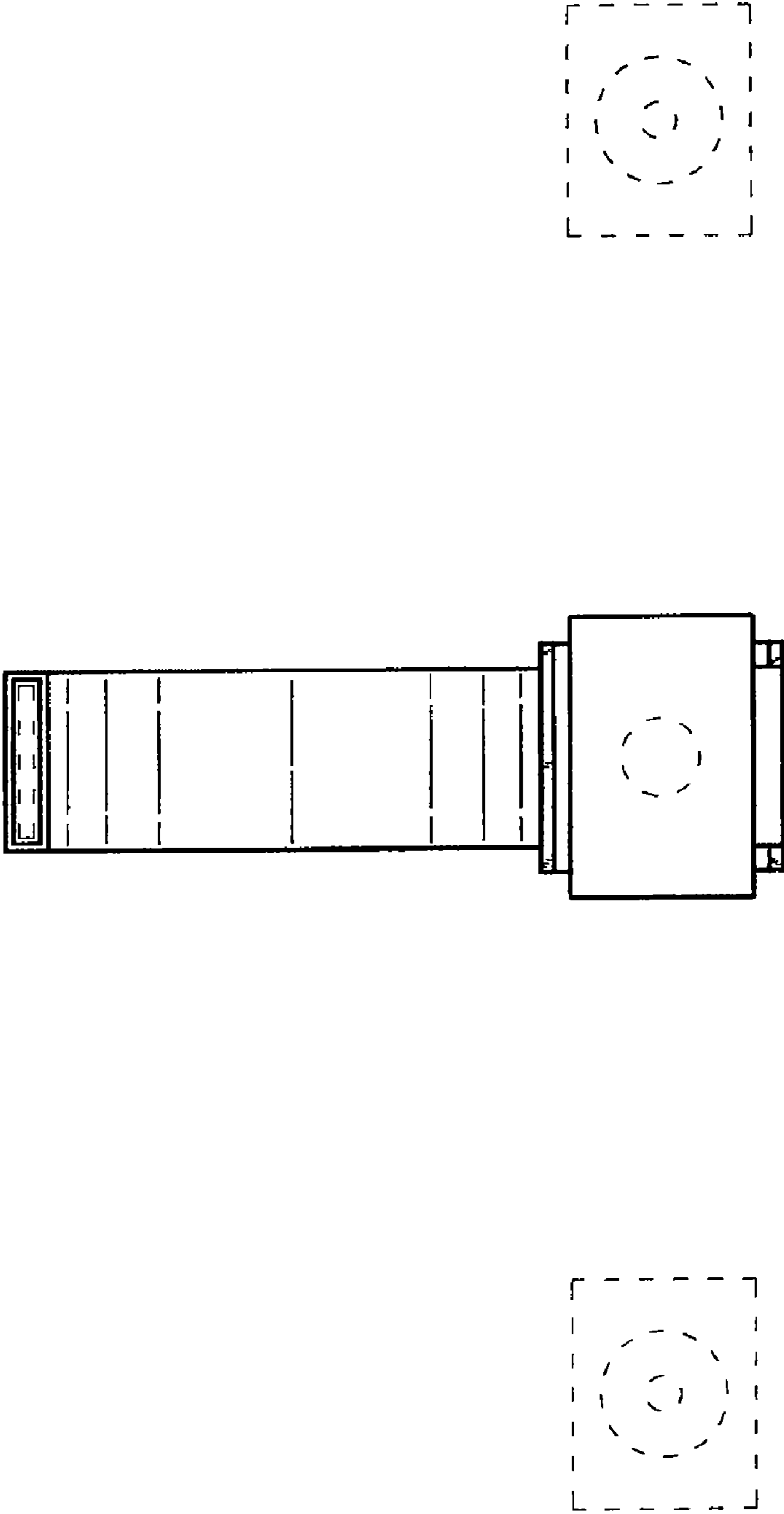


FIG. 7