



US00D619215S

(12) **United States Design Patent**
Havlovitz et al.

(10) **Patent No.:** **US D619,215 S**
(45) **Date of Patent:** **** Jul. 6, 2010**

(54) **SPRAYER**

(75) Inventors: **Paul Havlovitz**, Plain City, OH (US);
Jeffrey T. DeBord, Worthington, OH (US); **Ryan Robert Berger**, Columbus, OH (US); **Michael T. Kopczewski**, Grove City, OH (US); **Jay F. Perkins**, Pickerington, OH (US); **Timothy Michael Martin**, Westerville, OH (US)

(73) Assignee: **SMG Brands, Inc.**, Wilmington, DE (US)

(**) Term: **14 Years**

(21) Appl. No.: **29/329,981**

(22) Filed: **Dec. 24, 2008**

(51) **LOC (9) Cl.** **23-01**

(52) **U.S. Cl.** **D23/225**

(58) **Field of Classification Search** D23/213,
D23/225, 226; 239/525-526, 302, 308, 310,
239/318, 345

See application file for complete search history.

(56) **References Cited**

U.S. PATENT DOCUMENTS

2,416,719	A	3/1947	Stockdale	
2,460,545	A	2/1949	Spreng	
2,647,798	A	8/1953	Ballard	
4,878,619	A	11/1989	Norman	
4,982,896	A	1/1991	Crow	
5,143,294	A	9/1992	Lintvedt	
5,263,646	A	11/1993	McCauley et al.	
5,678,768	A	10/1997	Gager et al.	
D447,791	S *	9/2001	Robidoux	D23/226
D448,450	S *	9/2001	Lawson et al.	D23/225
6,390,335	B1	5/2002	Lawson et al.	
D459,438	S *	6/2002	Knowles	D23/225
6,402,053	B1	6/2002	Chih	
6,422,485	B1	7/2002	Hsu	
6,595,437	B1	7/2003	Lawson et al.	
6,612,506	B1	9/2003	Huang	
6,726,123	B2	4/2004	Wang	

6,896,203	B1	5/2005	Restive	
6,976,640	B2	12/2005	Chen	
6,976,644	B2	12/2005	Troudt	
6,988,675	B2	1/2006	Hubmann et al.	
7,021,571	B1	4/2006	Lawson et al.	
7,083,125	B2	8/2006	Westphal et al.	
7,086,610	B2	8/2006	Hubmann et al.	
D529,575	S *	10/2006	Birrenkott et al.	D23/223
7,156,324	B2	1/2007	Birrenkott et al.	
7,168,629	B2	1/2007	Timmes et al.	
7,182,280	B2	2/2007	Ye et al.	
2004/0007633	A1	1/2004	Simmons	

(Continued)

Primary Examiner—Robin V Webster

(74) *Attorney, Agent, or Firm*—Hunton & Williams LLP

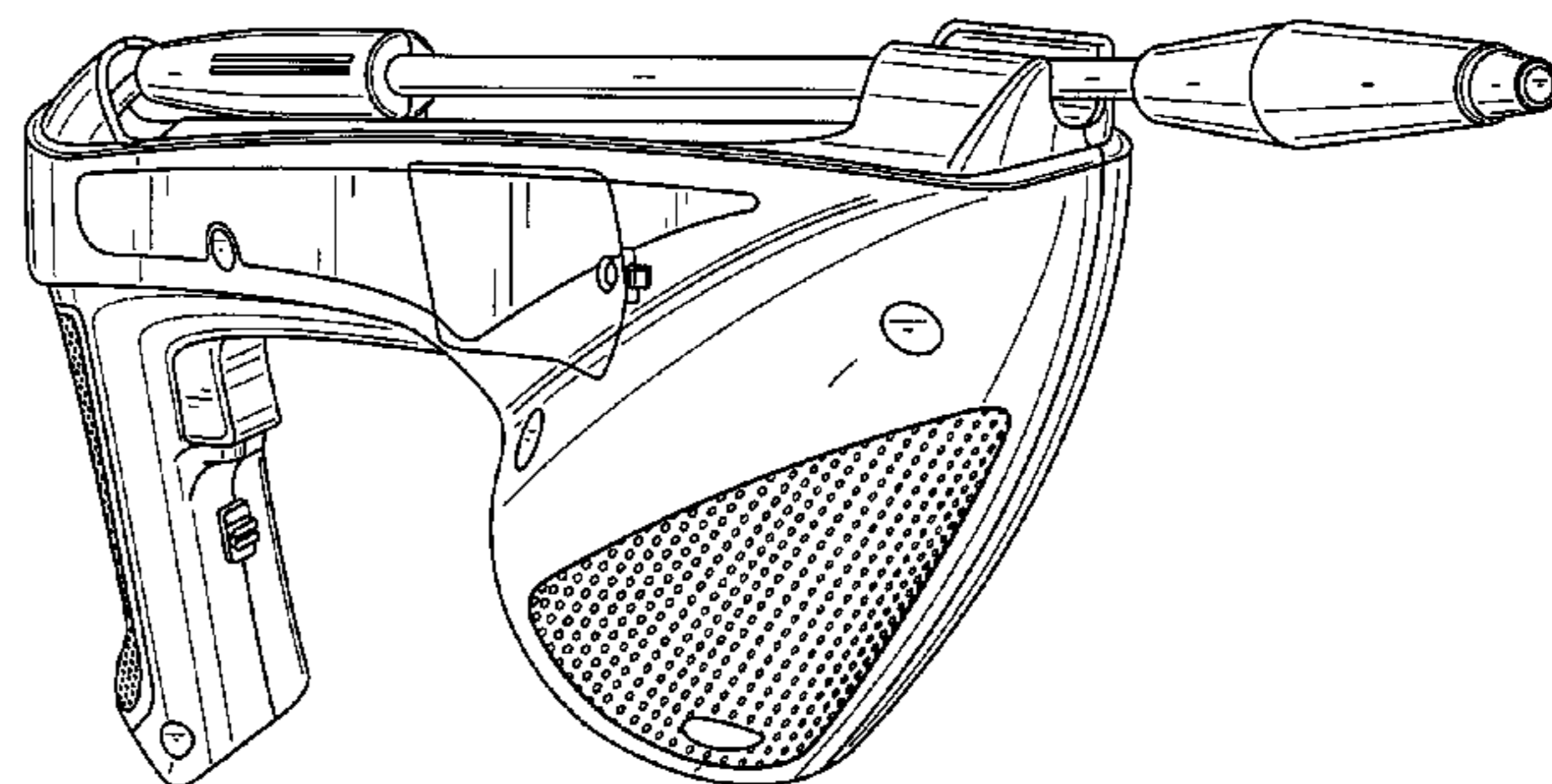
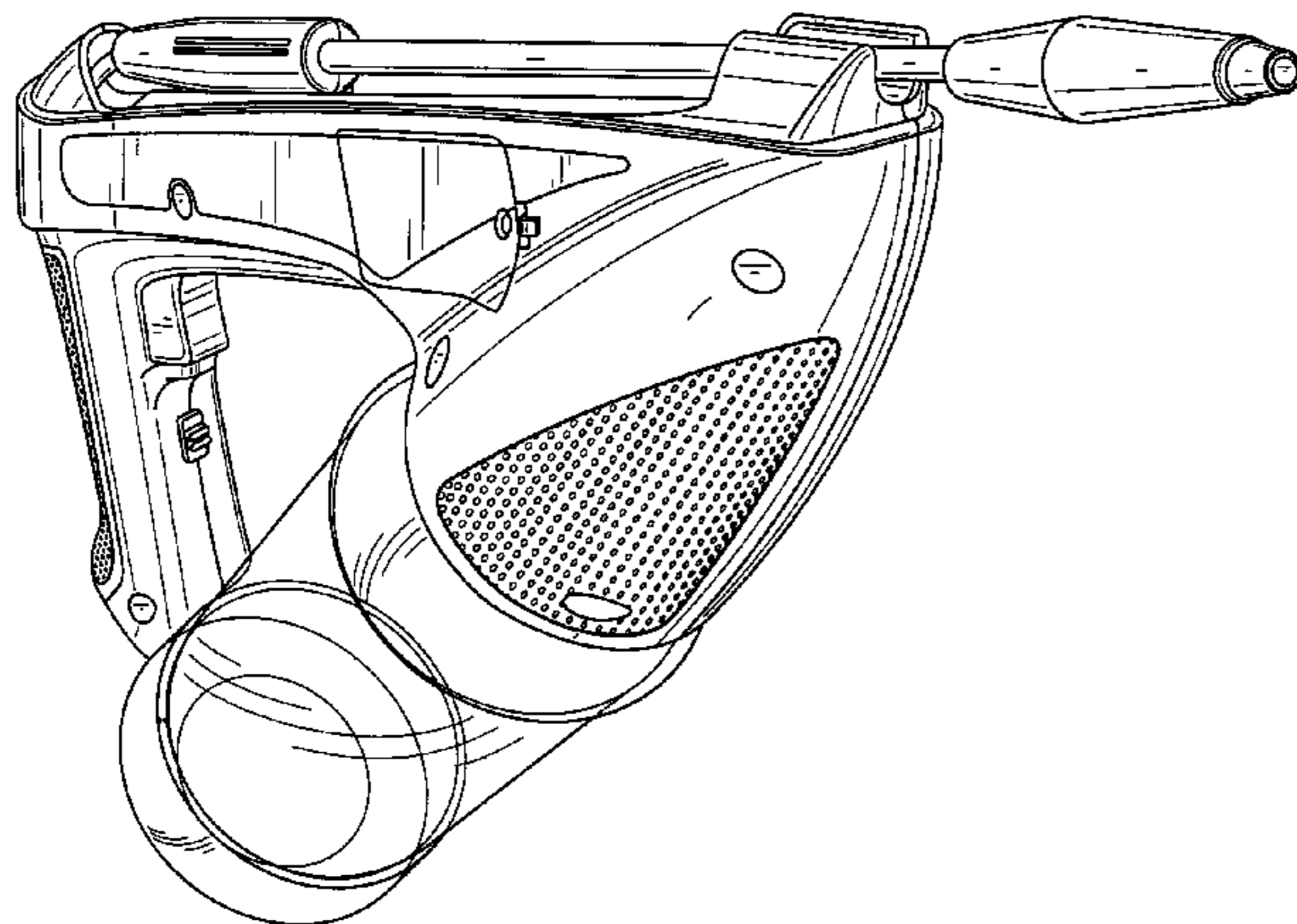
(57) **CLAIM**

The ornamental design for a sprayer, as shown and described.

DESCRIPTION

FIG. 1 depicts a side perspective view of a sprayer.
 FIG. 2 depicts a front perspective view of a sprayer.
 FIG. 3 depicts a back perspective view of a sprayer.
 FIG. 4 depicts a first side view of a sprayer.
 FIG. 5 depicts a second side view of a sprayer.
 FIG. 6 depicts a top view of a sprayer.
 FIG. 7 depicts a bottom view of a sprayer.
 FIG. 8 depicts a side perspective view of the sprayer shown without the cartridge; and,
 FIG. 9 depicts a side view of the sprayer without the cartridge.

1 Claim, 7 Drawing Sheets



US D619,215 S

Page 2

U.S. PATENT DOCUMENTS

2005/0145270 A1 7/2005 Ray
2006/0255183 A1 11/2006 Burdsall et al.

2007/0125878 A1 6/2007 Hahn et al.
2007/0170285 A1 7/2007 Schouten

* cited by examiner

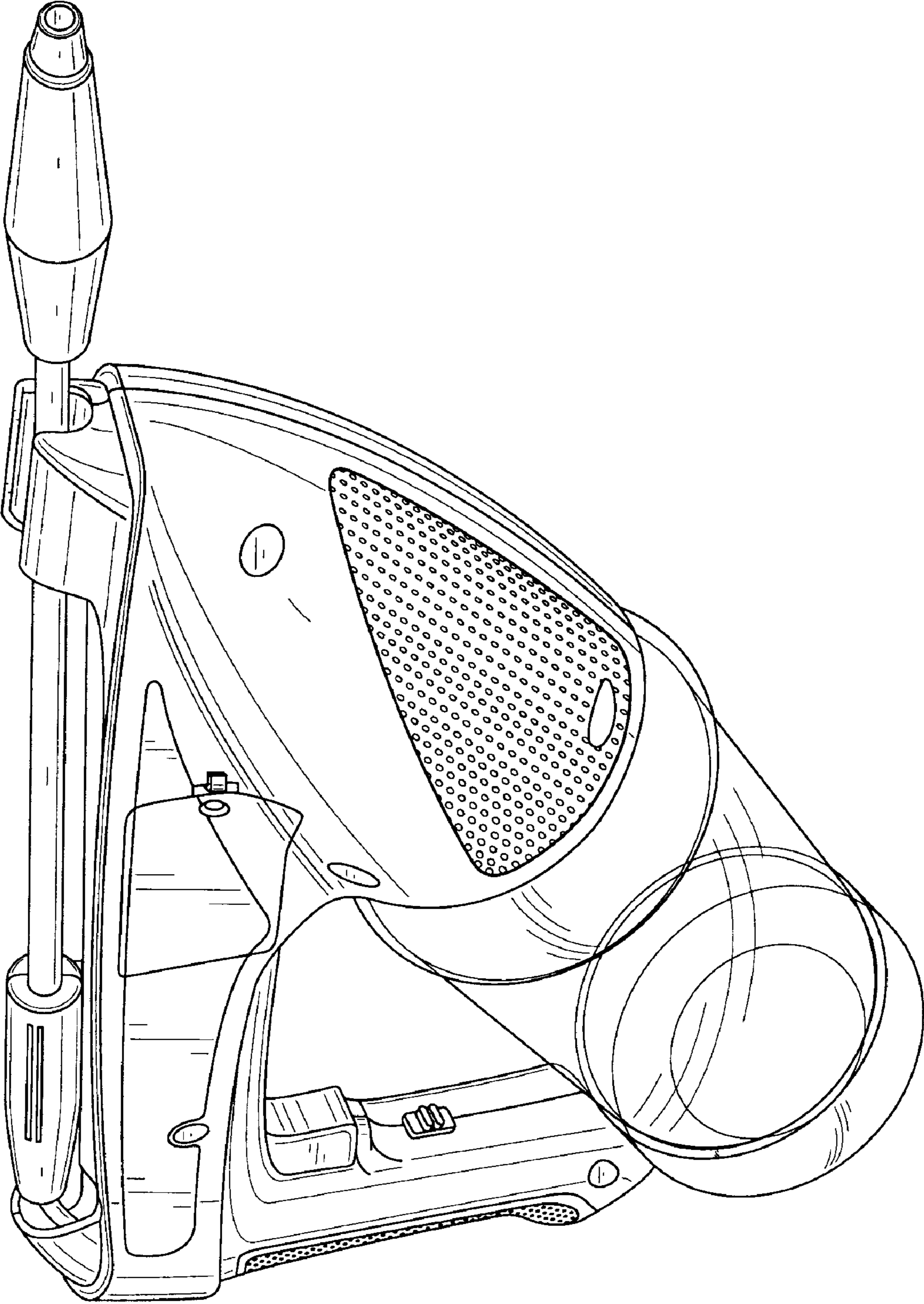


FIG. 1

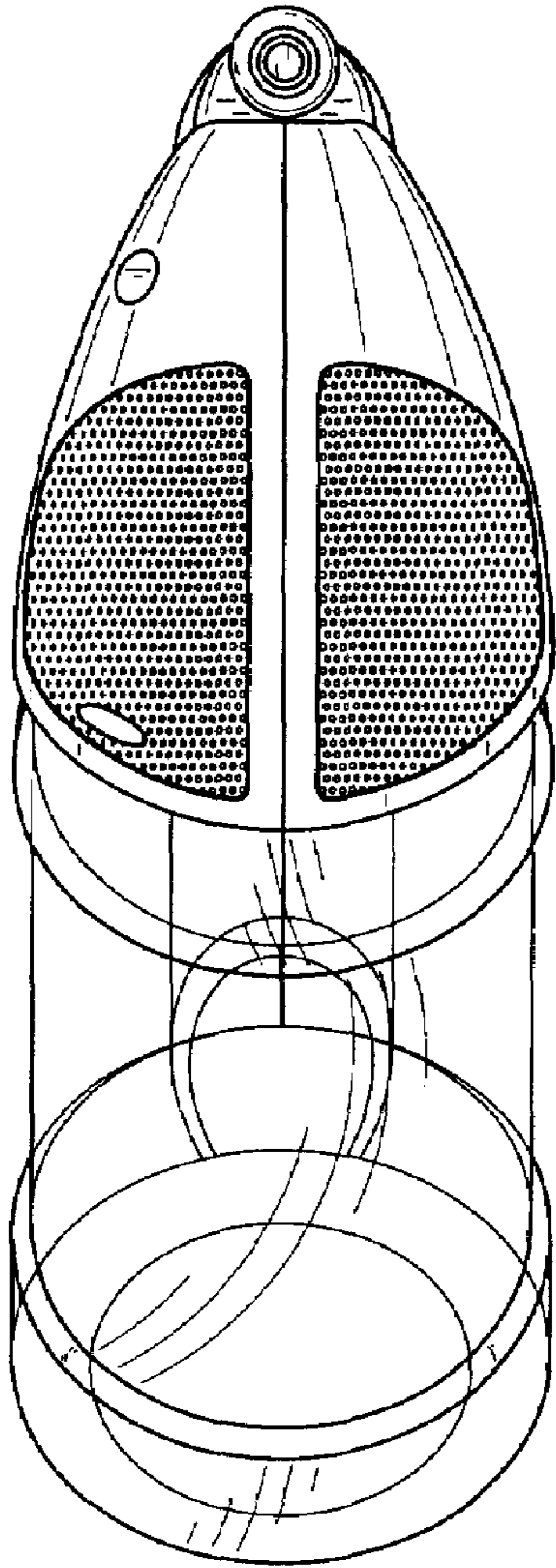


FIG. 2

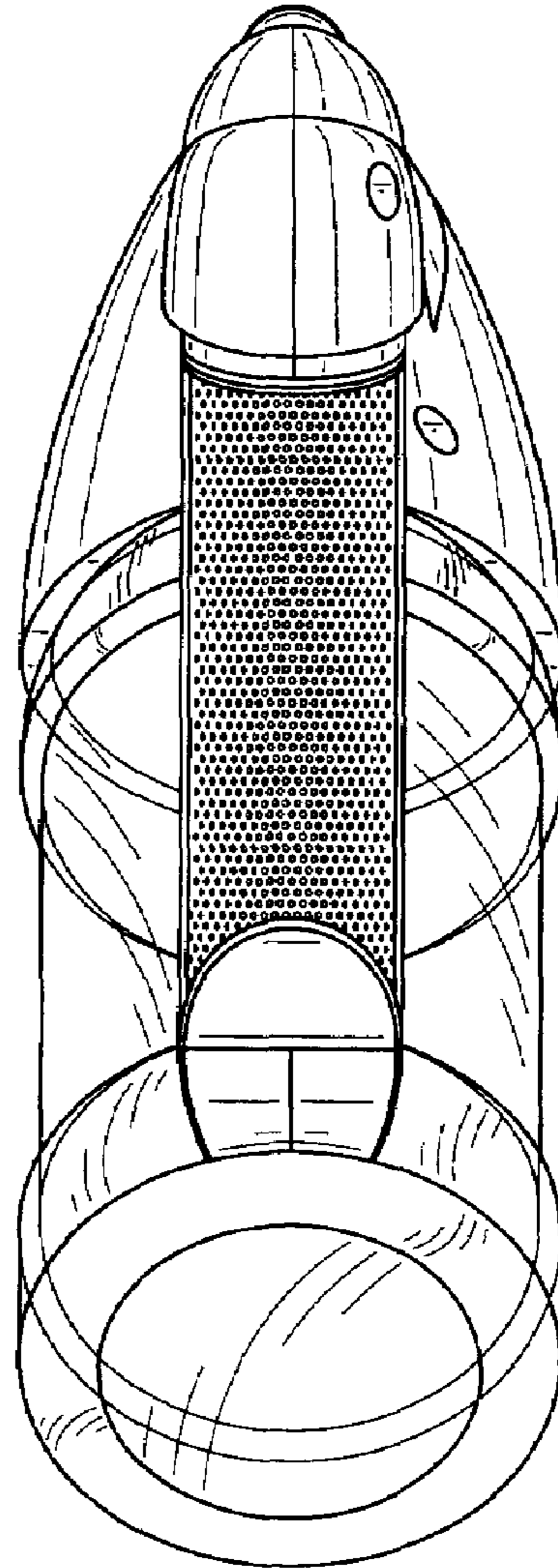


FIG. 3

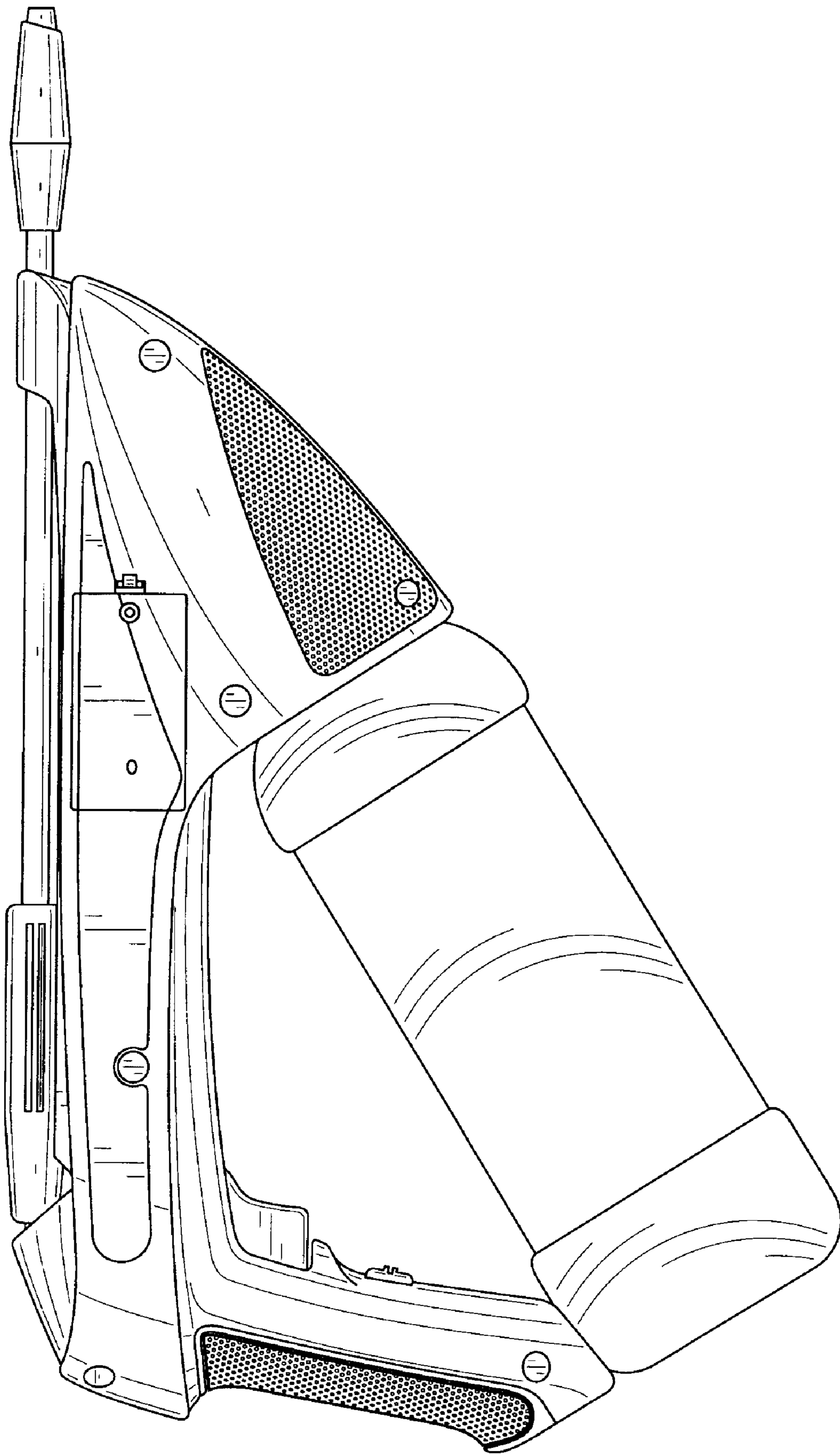


FIG. 4

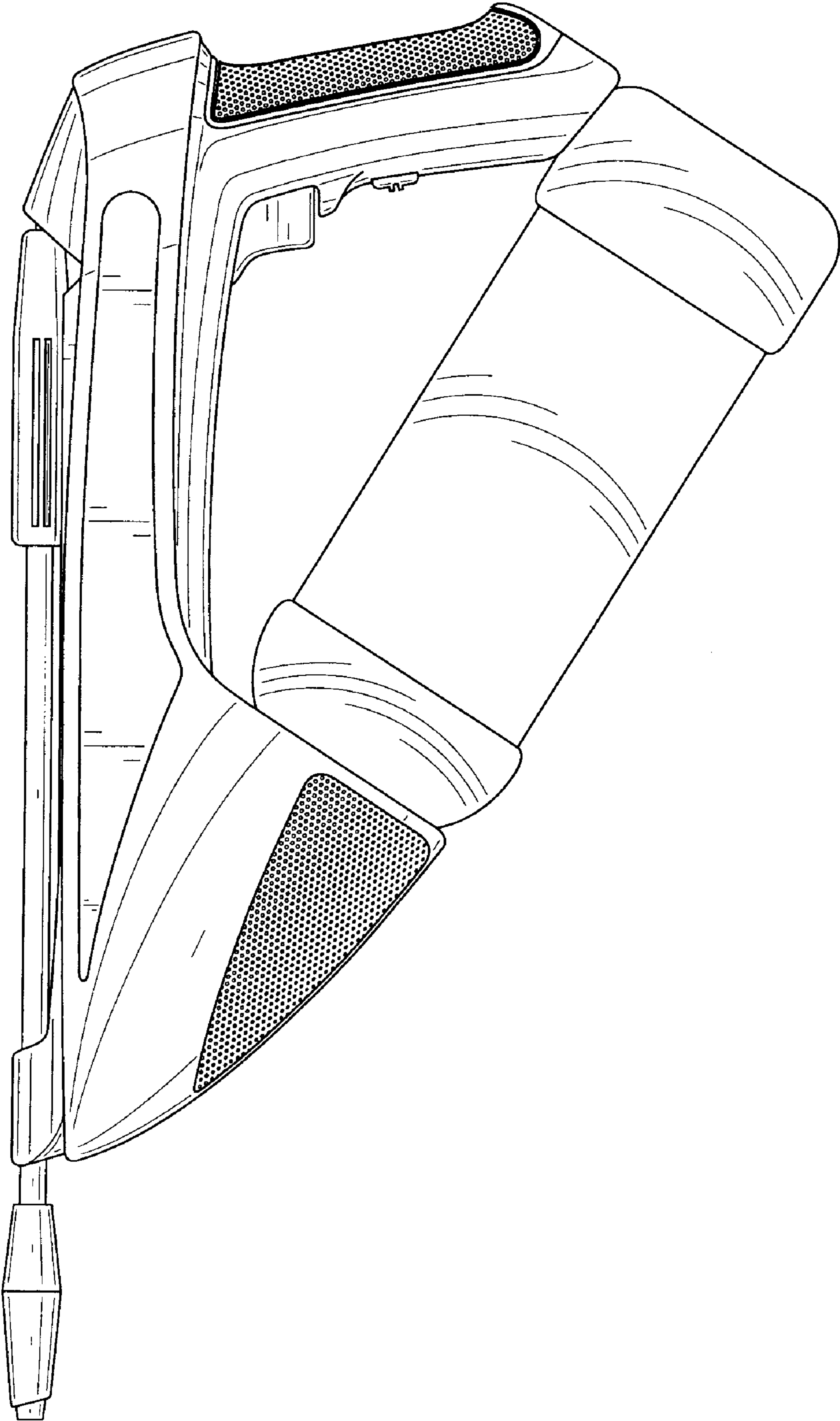


FIG. 5

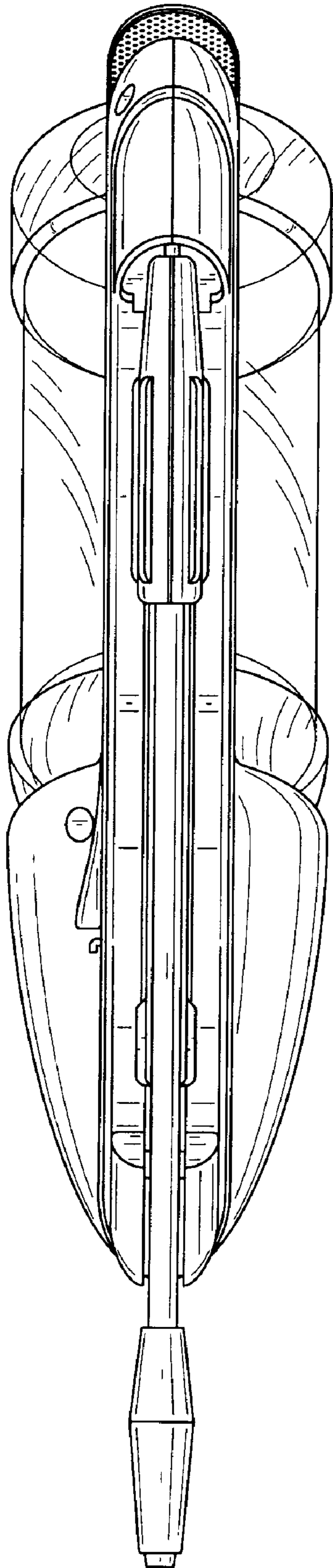


FIG. 6

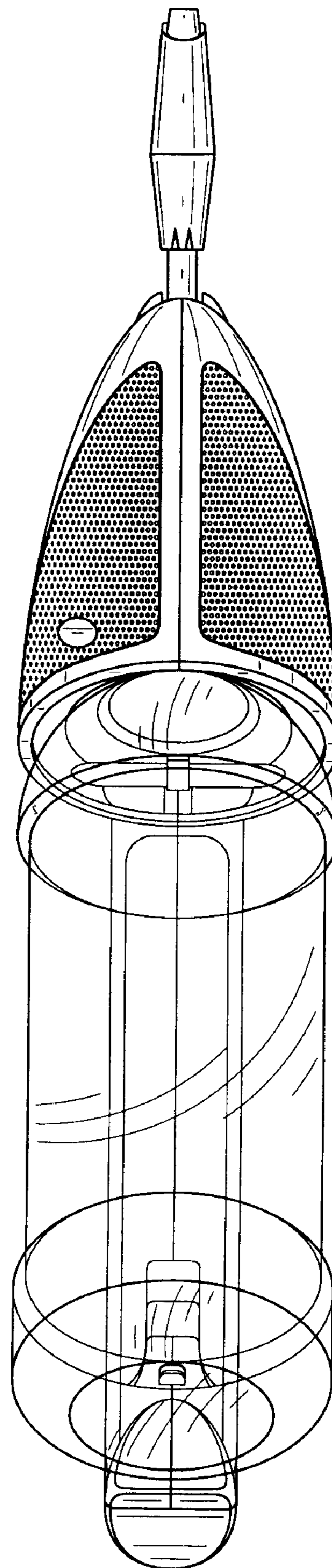


FIG. 7

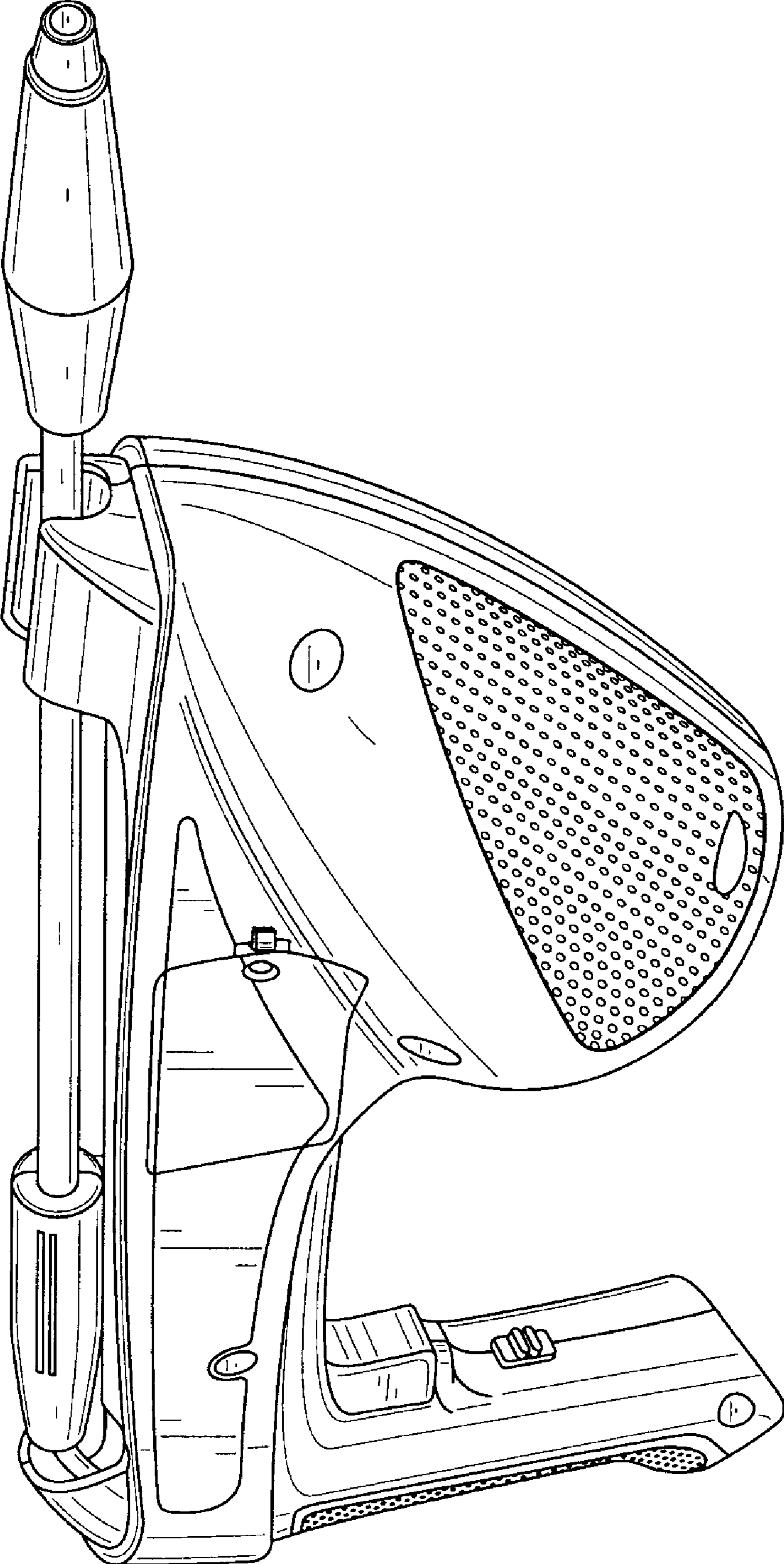


FIG. 8

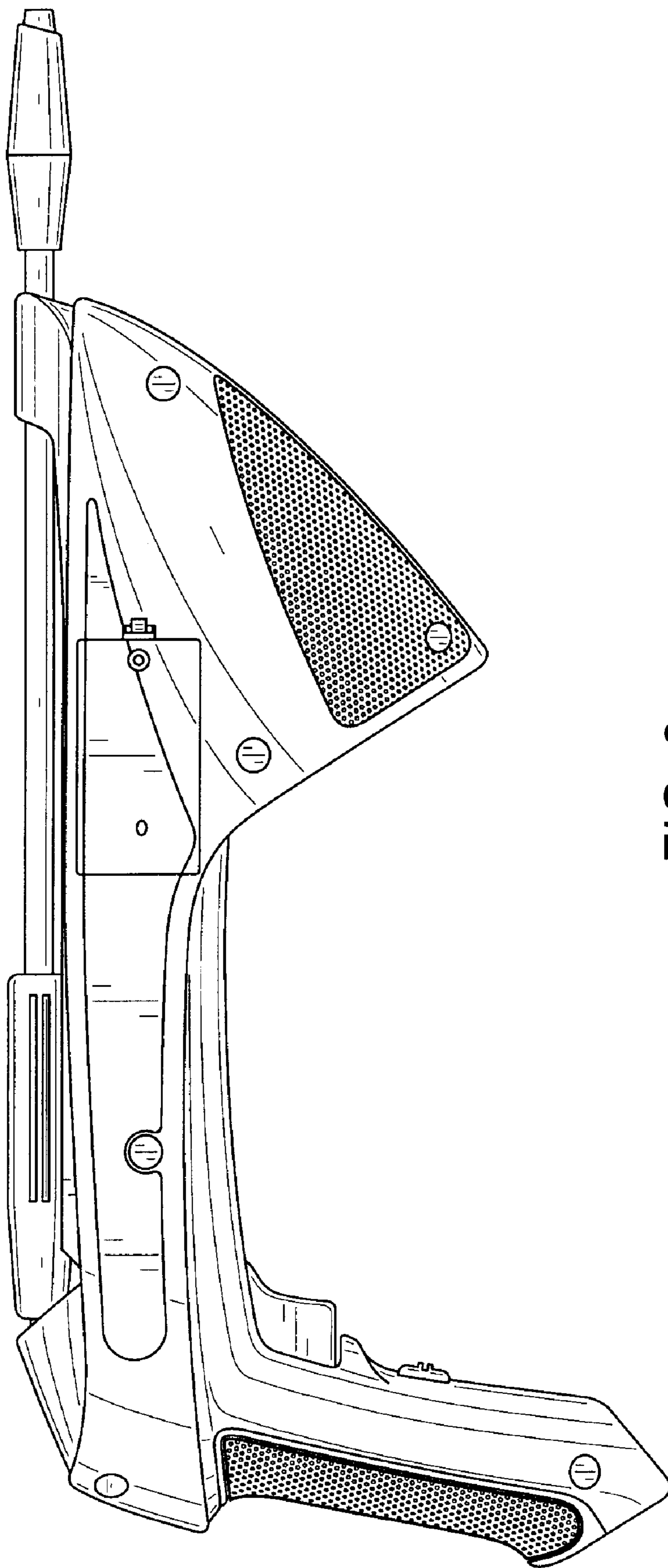


FIG. 9