



US00D619207S

(12) **United States Design Patent**  
**Jian et al.**

(10) **Patent No.:** **US D619,207 S**  
(45) **Date of Patent:** **\*\* Jul. 6, 2010**

(54) **SHOWERHEAD**

(75) Inventors: **Zhang Jian**, Piscataway, NJ (US); **Jiang Xuefeng**, Piscataway, NJ (US)

(73) Assignee: **AS IP Holdco, L.L.C.**, Piscataway, NJ (US)

(\*\*) Term: **14 Years**

(21) Appl. No.: **29/344,867**

(22) Filed: **Oct. 6, 2009**

(51) **LOC (9) Cl.** ..... **23-01**

(52) **U.S. Cl.** ..... **D23/223**

(58) **Field of Classification Search** ..... D23/213,  
D23/223, 226; 239/282–283; 4/605, 615,  
4/570, 567

See application file for complete search history.

(56) **References Cited**

**U.S. PATENT DOCUMENTS**

D457,598 S *	5/2002	Storti et al.	.....	D23/223
D484,945 S *	1/2004	Ouyoung	.....	D23/213
D518,145 S *	3/2006	Nikles	.....	D23/223
D527,072 S *	8/2006	Wu	.....	D23/223
D545,941 S *	7/2007	Li	.....	D23/223
D559,357 S *	1/2008	Wang et al.	.....	D23/229

D559,948 S *	1/2008	Bickler et al.	.....	D23/223
D565,699 S *	4/2008	Berberet	.....	D23/223
D565,702 S *	4/2008	Daunter et al.	.....	D23/223
D579,517 S *	10/2008	Corbett	.....	D23/223
D581,485 S *	11/2008	Kollmann et al.	.....	D23/223

\* cited by examiner

*Primary Examiner*—Robin V Webster

(74) *Attorney, Agent, or Firm*—Flaster/Greenberg P.C.

(57) **CLAIM**

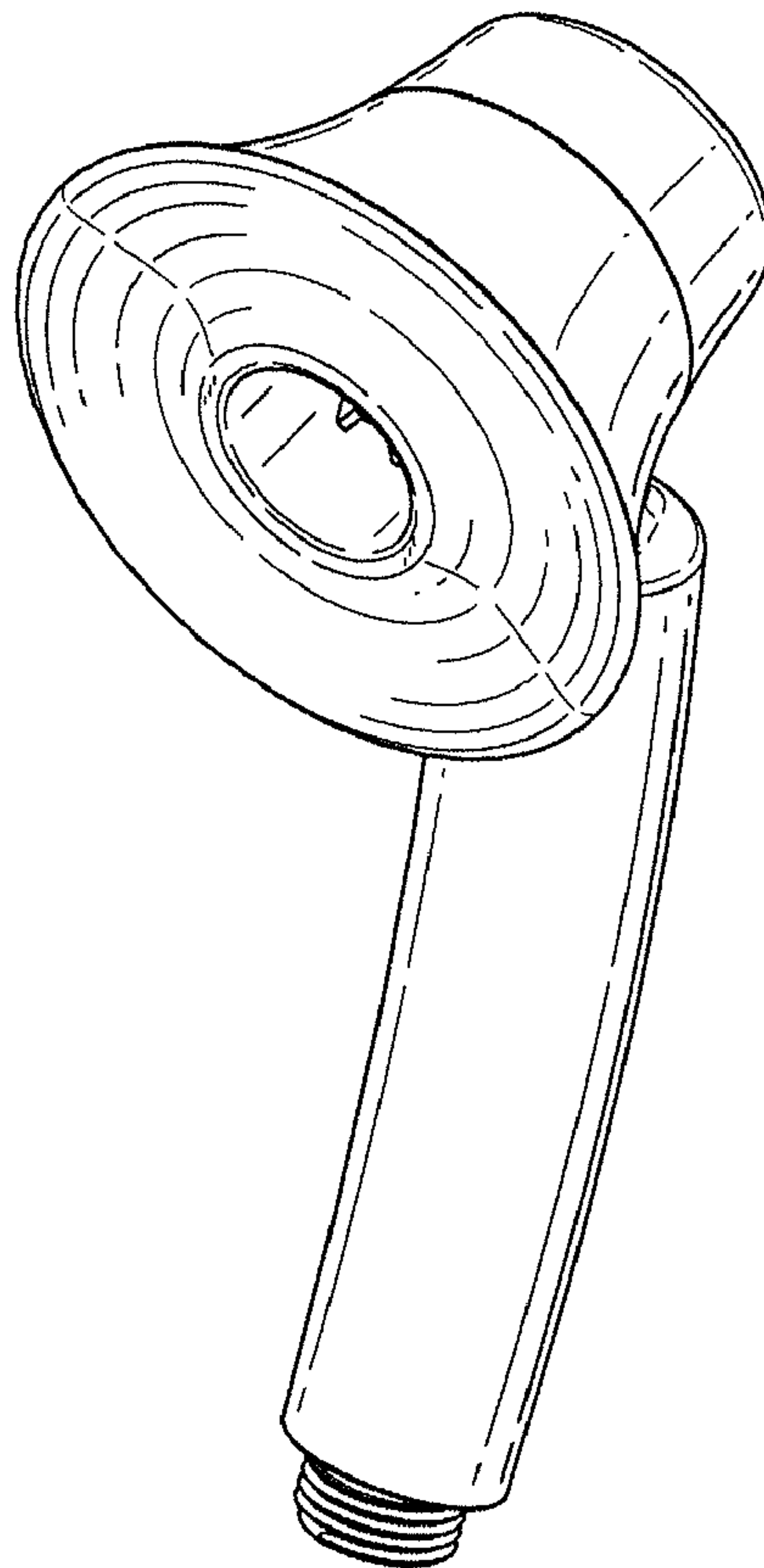
The ornamental design for a showerhead, as shown and described.

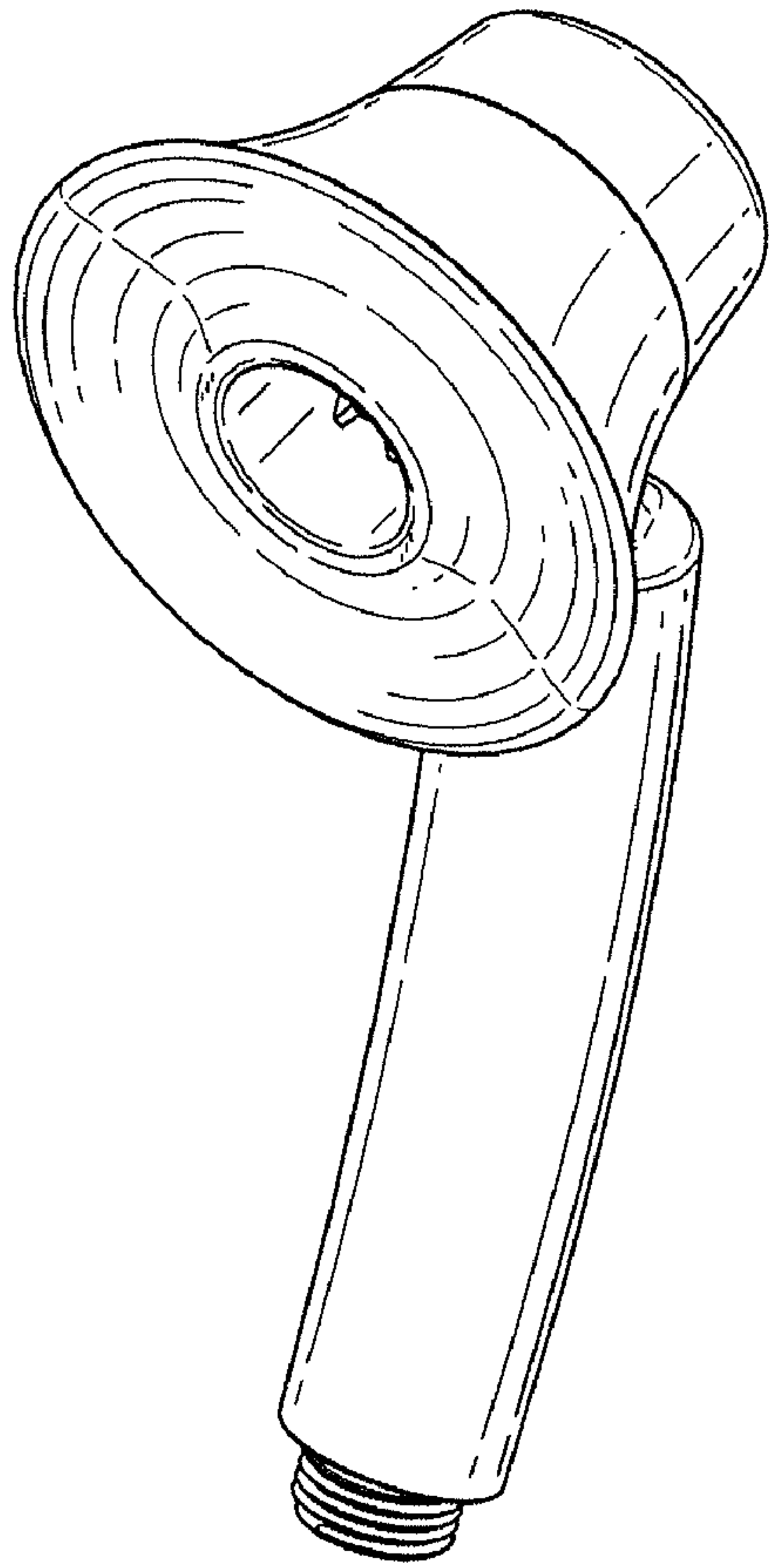
**DESCRIPTION**

FIG. 1 is a perspective view of a showerhead;  
FIG. 2 is a front plan view of the showerhead of FIG. 1;  
FIG. 3 is a right side view of the showerhead of FIG. 1;  
FIG. 4 is a left side view of the showerhead of FIG. 1;  
FIG. 5 is a top view of the showerhead of FIG. 1;  
FIG. 6 is a bottom view of the showerhead of FIG. 1; and,  
FIG. 7 is a rear view of the showerhead of FIG. 1.

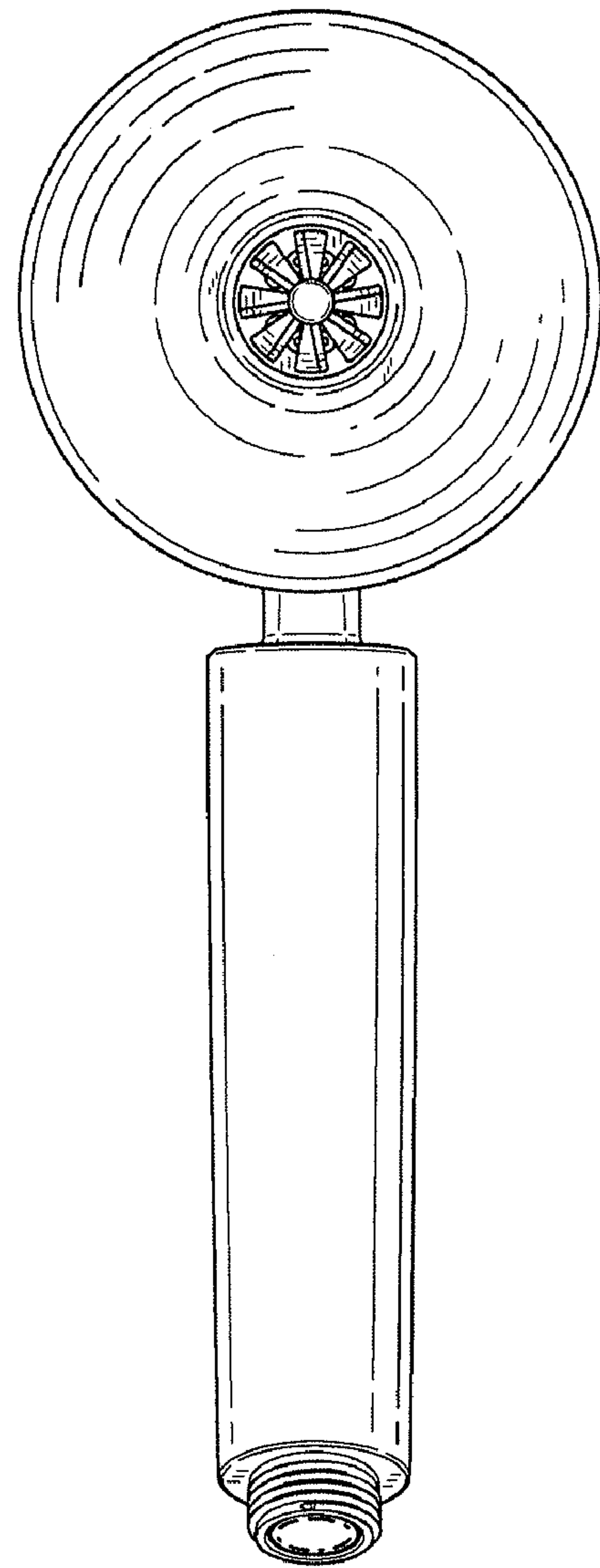
The broken line showing in FIG. 6 is included for the purpose of illustrating and forms no part of the claimed design.

**1 Claim, 3 Drawing Sheets**





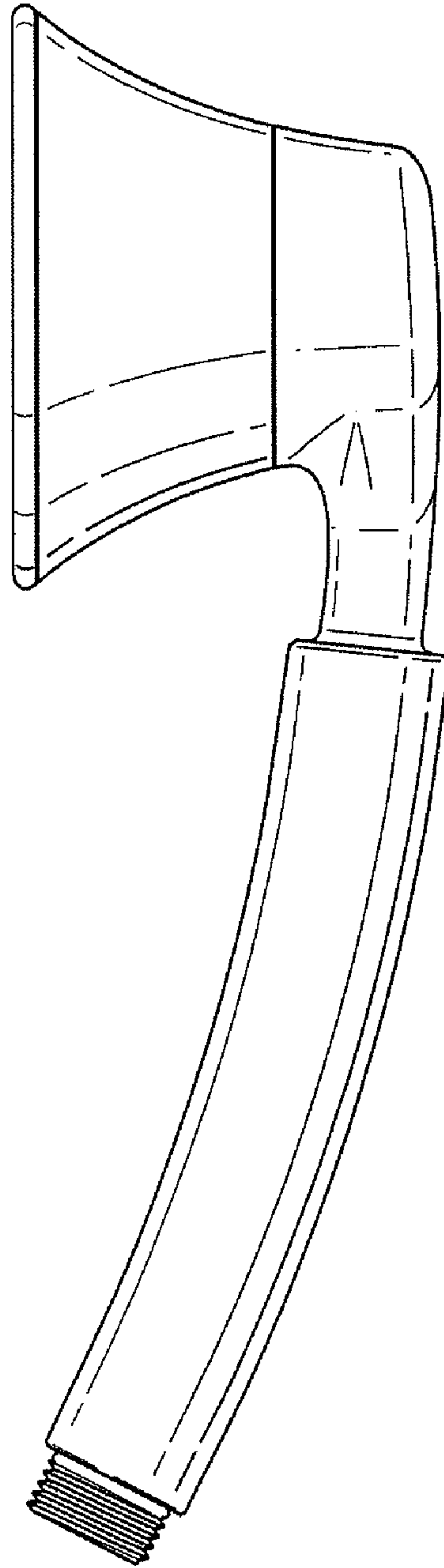
*FIG. 1*



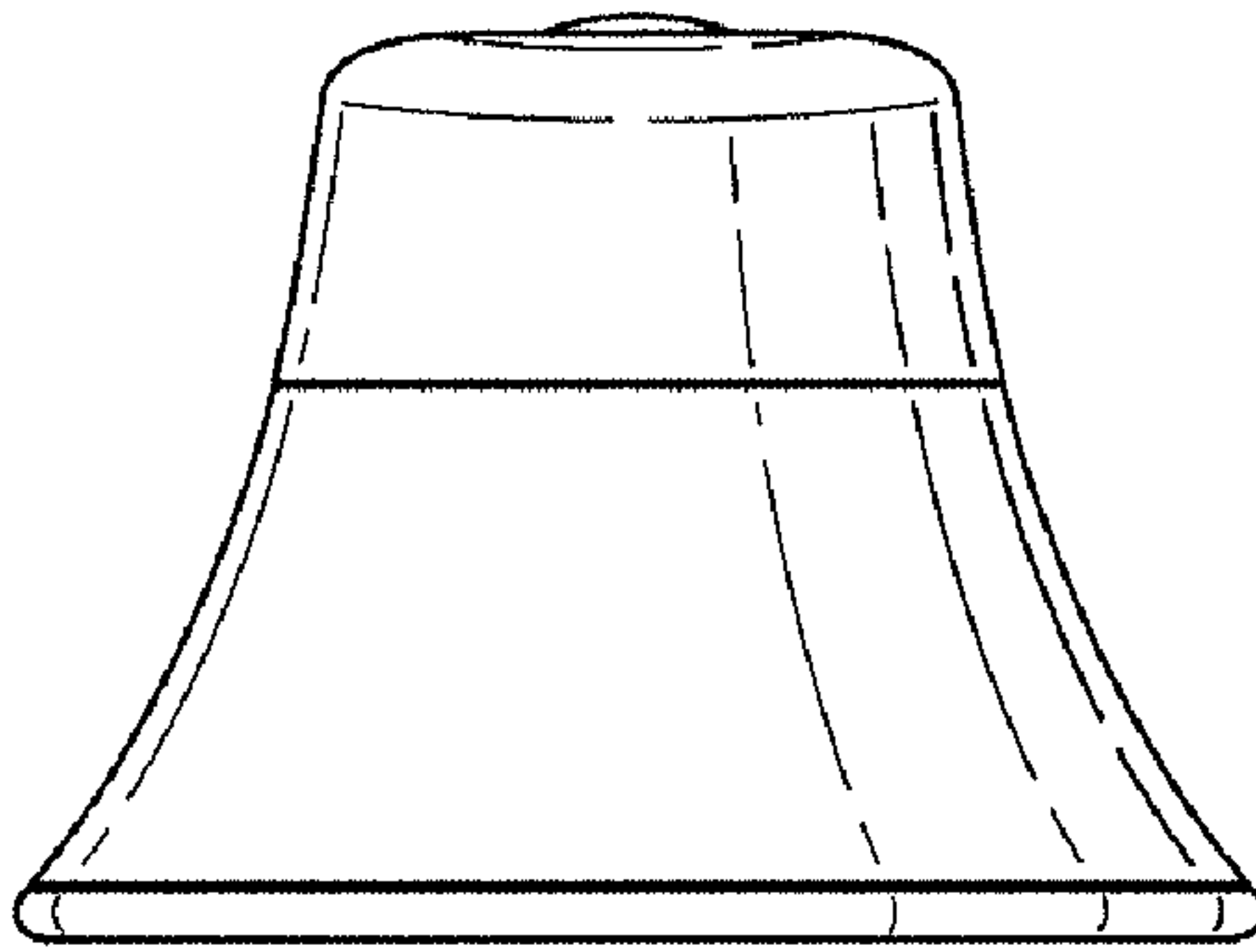
*FIG. 2*



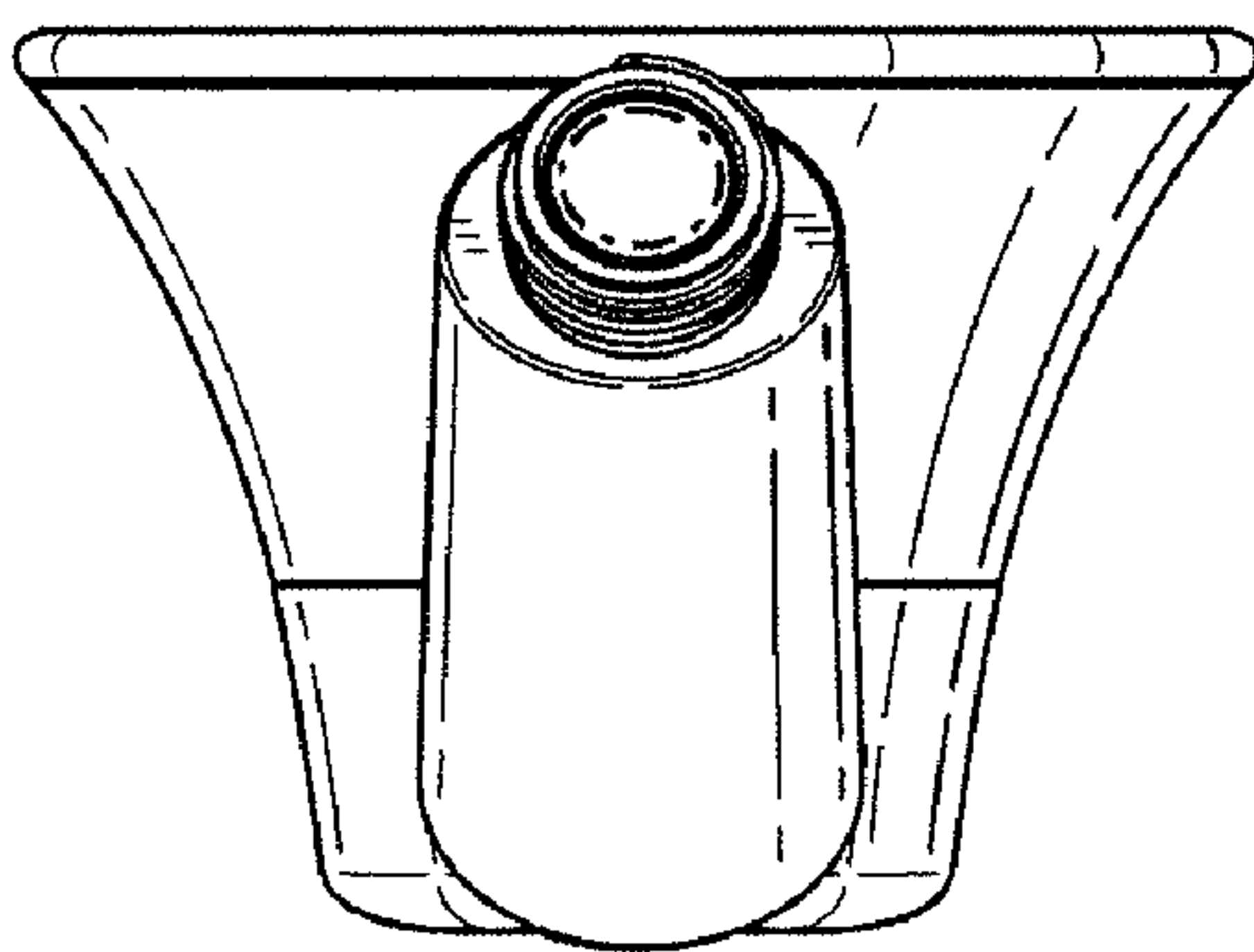
*FIG. 3*



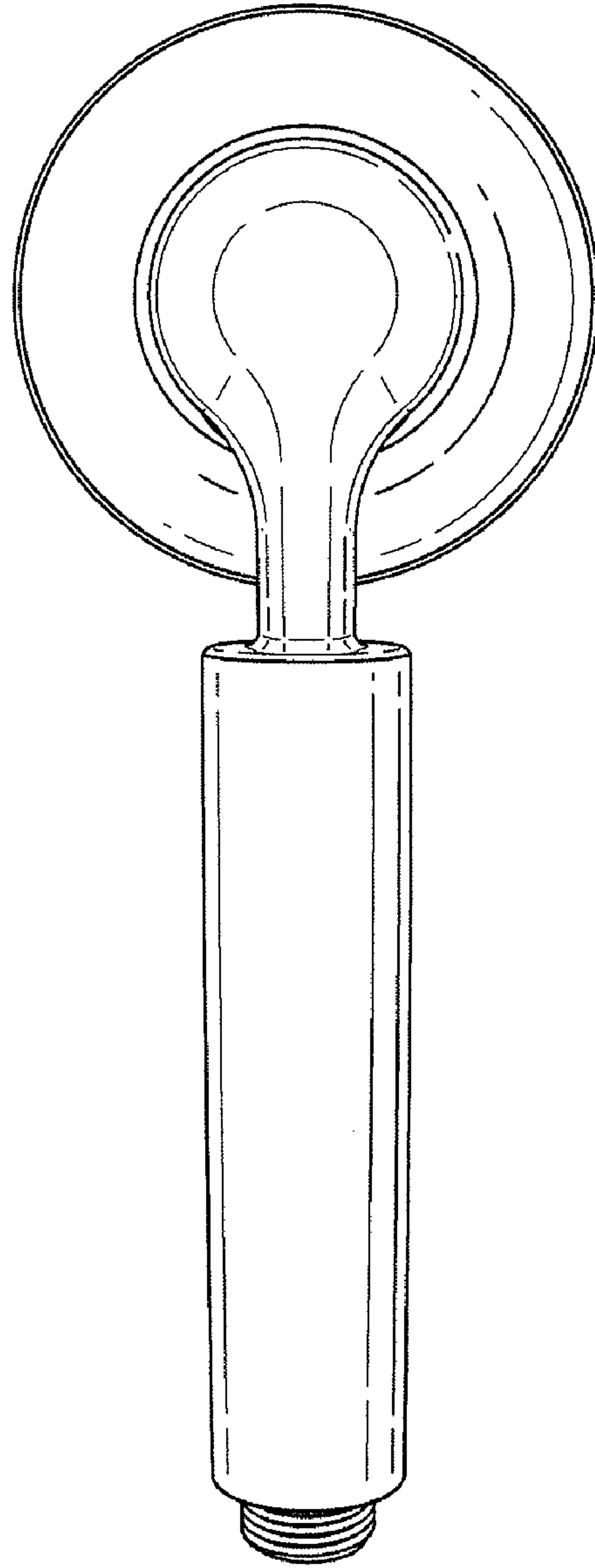
*FIG. 4*



*FIG. 5*



*FIG. 6*



*FIG. 7*