



US00D619204S

(12) **United States Design Patent**  
**Chen**

(10) **Patent No.:** **US D619,204 S**  
(45) **Date of Patent:** **\*\* Jul. 6, 2010**

(54) **AIR TOOL BODY**

(57) **CLAIM**

(76) **Inventor:** **Kuo-Liang Chen**, No. 246-1, Changma Rd., Changhua (TW)

The ornamental design for an air tool body, as shown and described.

(\*\*) **Term:** **14 Years**

**DESCRIPTION**

(21) **Appl. No.:** **29/337,342**

FIG. 1 is a perspective view of an air tool body, showing my new design;

(22) **Filed:** **May 20, 2009**

FIG. 2 is another perspective view thereof;

(51) **LOC (9) Cl.** ..... **23-01**

FIG. 3 is a front view thereof;

(52) **U.S. Cl.** ..... **D23/223**

FIG. 4 is a rear view thereof;

(58) **Field of Classification Search** ..... D23/213,  
D23/223, 226; 239/525-526, 291  
See application file for complete search history.

FIG. 5 is a left side view thereof;

FIG. 6 is a right side view thereof;

(56) **References Cited**

FIG. 7 is a top view thereof; wherein the broken lines are shown for illustrative purposes only and form no part of the claimed design;

**U.S. PATENT DOCUMENTS**

FIG. 8 is a bottom view thereof, wherein the broken lines are shown for illustrative purposes only and form no part of the claimed design;

D369,206 S *	4/1996	Wang	.....	D23/223
D390,914 S *	2/1998	Wang	.....	D23/223
D415,250 S *	10/1999	Kuo	.....	D23/223
D475,436 S *	6/2003	Kuo	.....	D23/223
D498,515 S *	11/2004	Wilson	.....	D23/223
D502,533 S *	3/2005	Chen	.....	D23/226

FIG. 9 is a perspective view thereof, shown in an environment, where the broken lines are shown for illustrative purposes only and form no part of the claimed design; and,

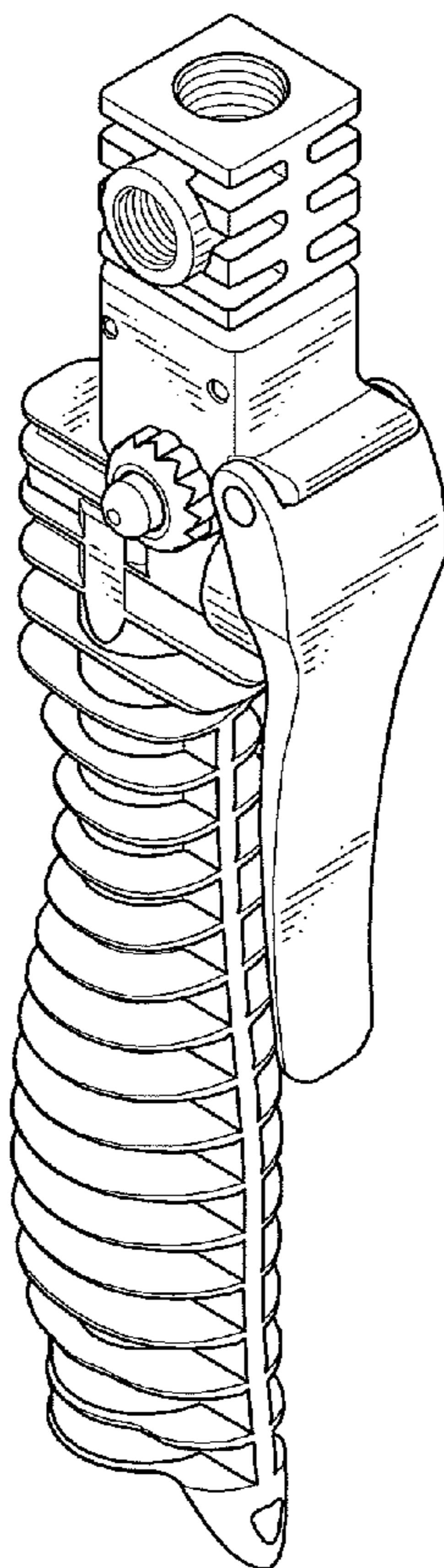
FIG. 10 is a perspective view thereof, shown in another environment, where the broken lines are shown for illustrative purposes only and form no part of the claimed design.

\* cited by examiner

*Primary Examiner*—Robin V Webster

(74) *Attorney, Agent, or Firm*—Alan Kamrath; Kamrath & Associates PA

**1 Claim, 9 Drawing Sheets**



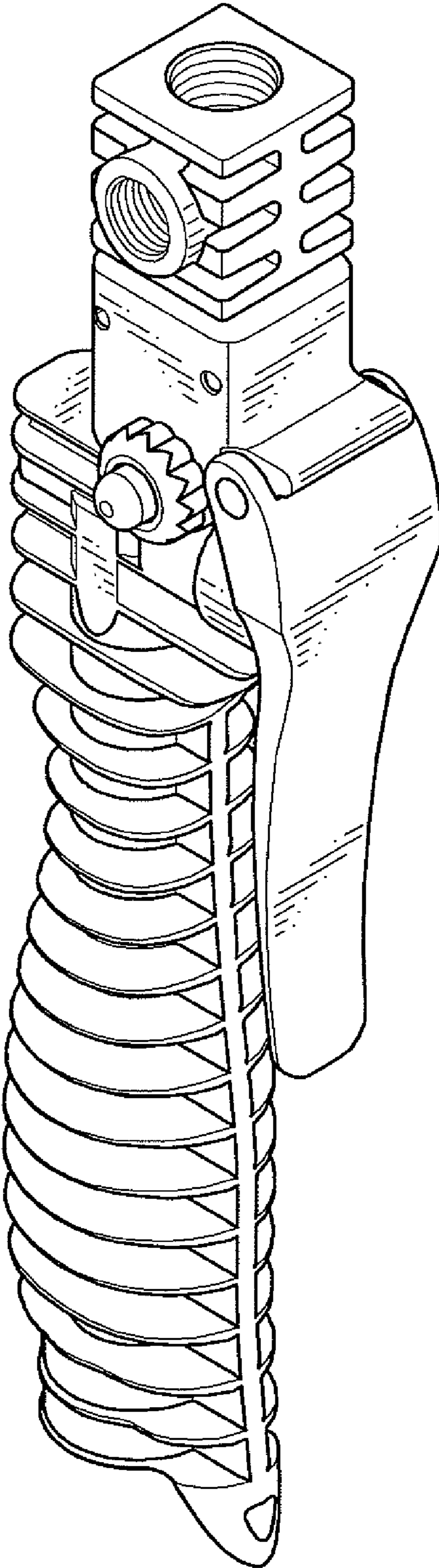


FIG. 1

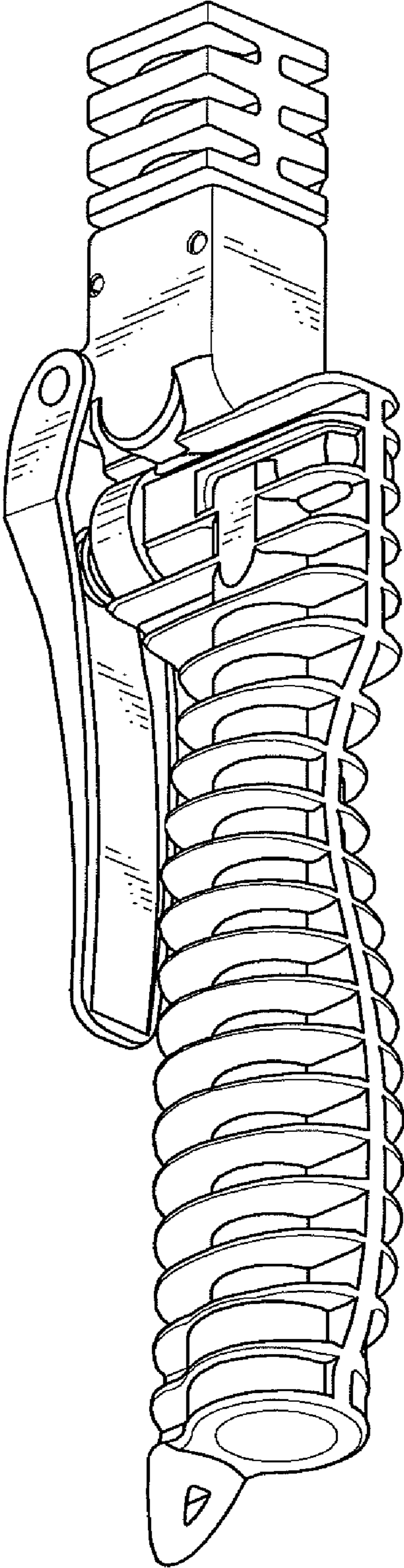


FIG. 2

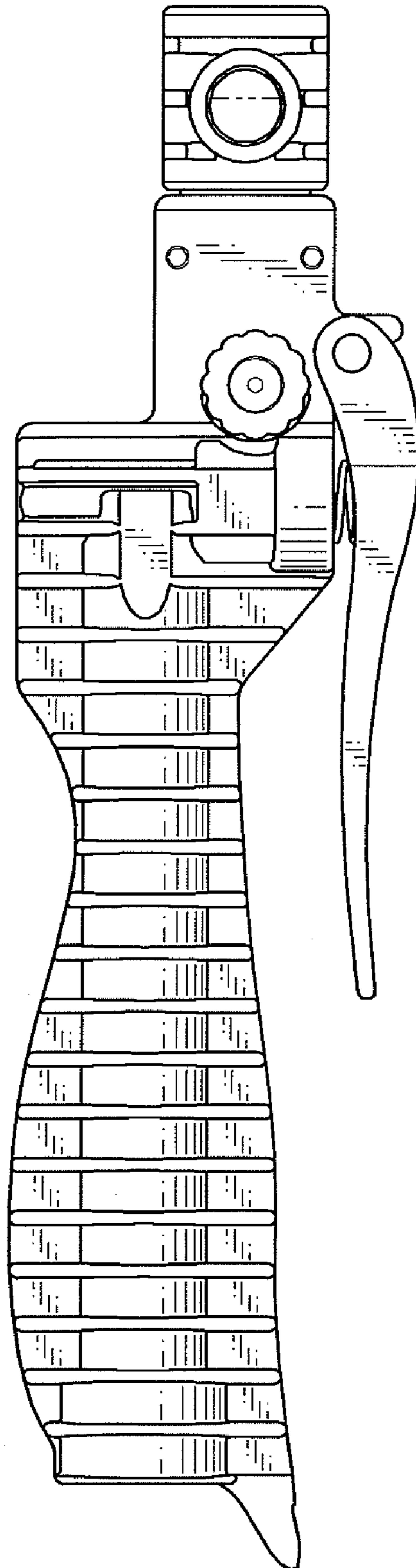


FIG. 3

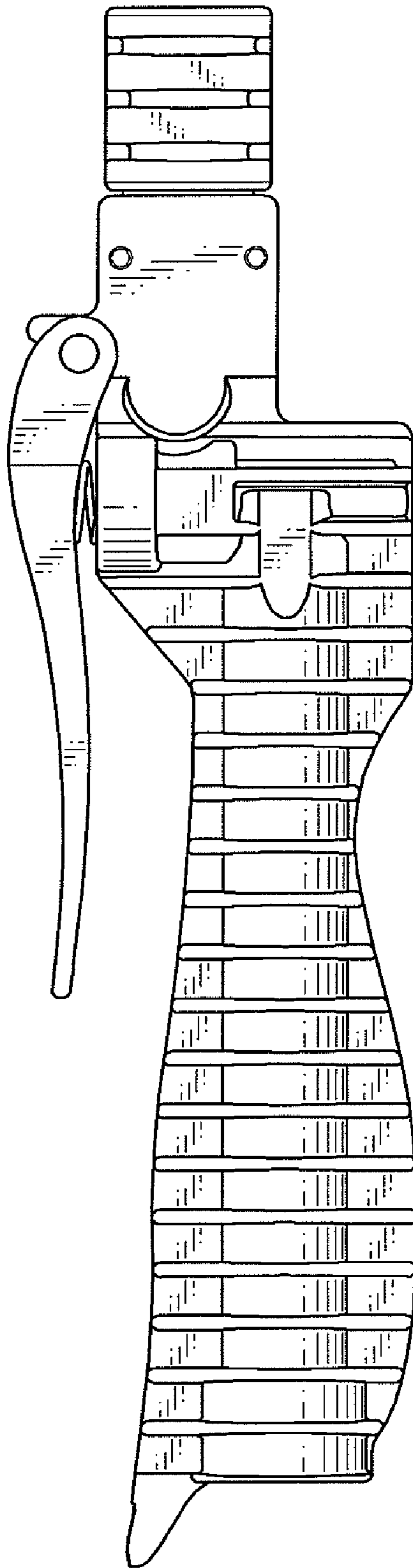


FIG. 4

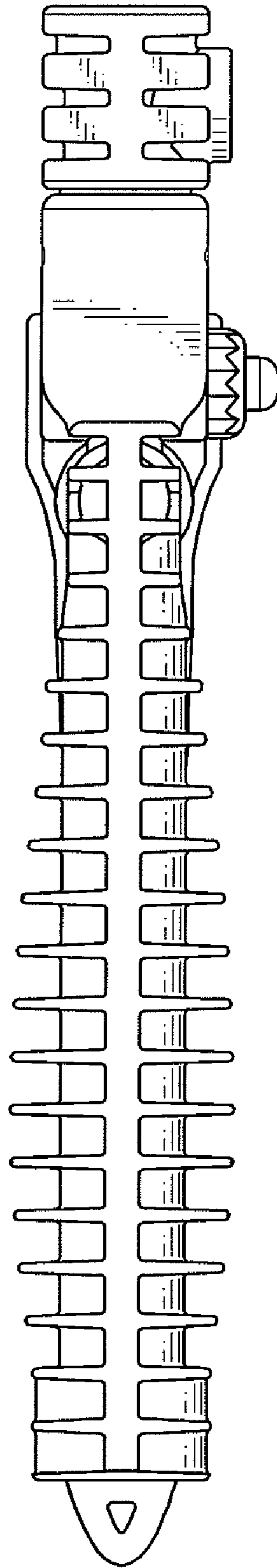


FIG. 5

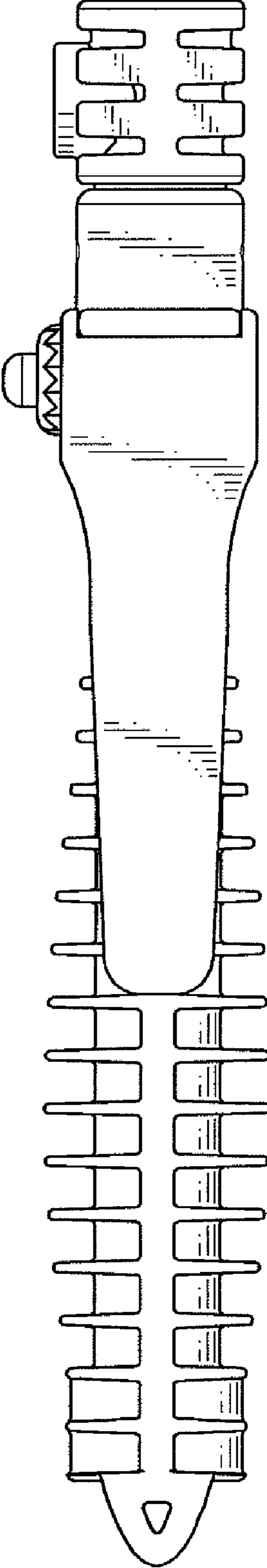


FIG. 6

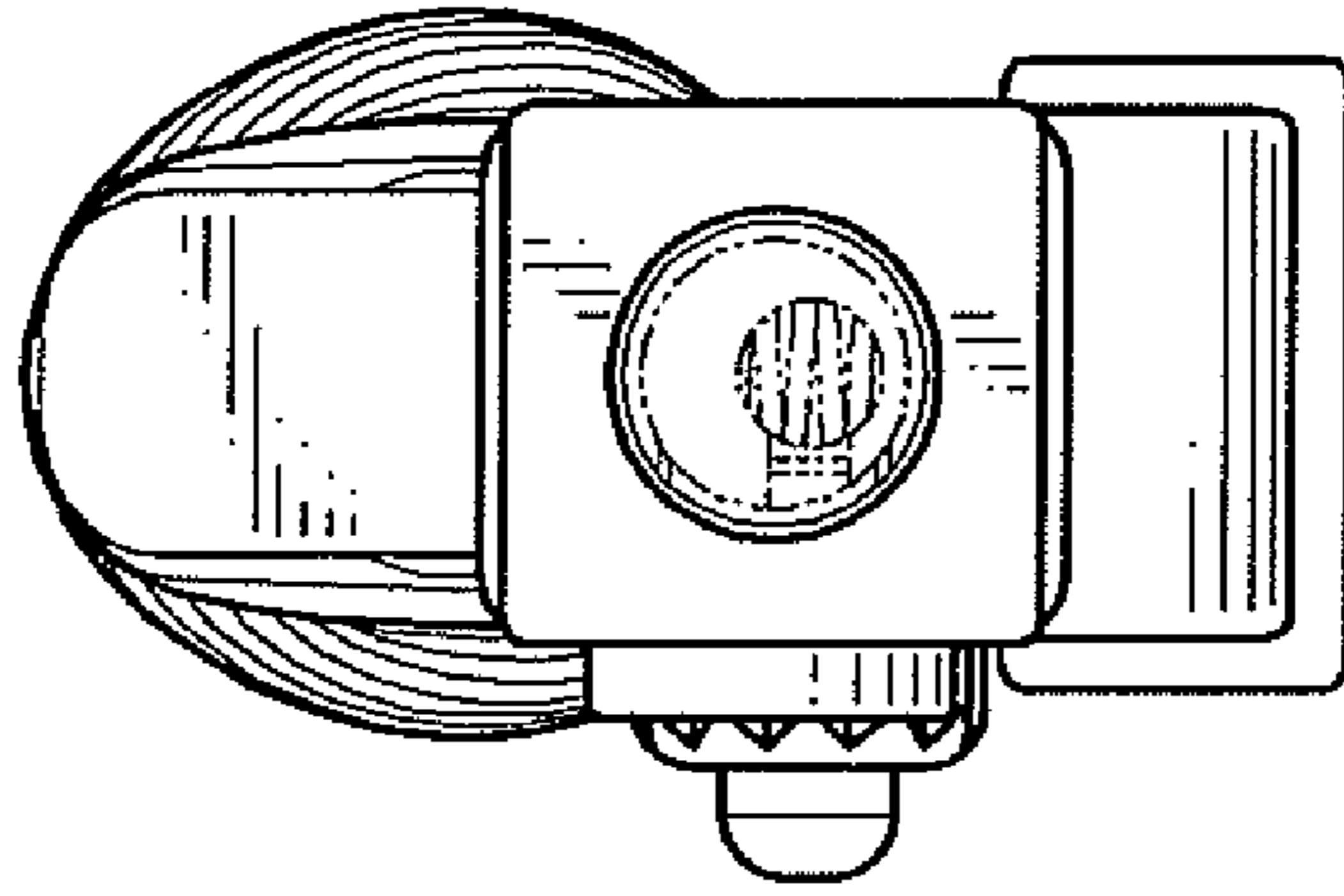


FIG. 7

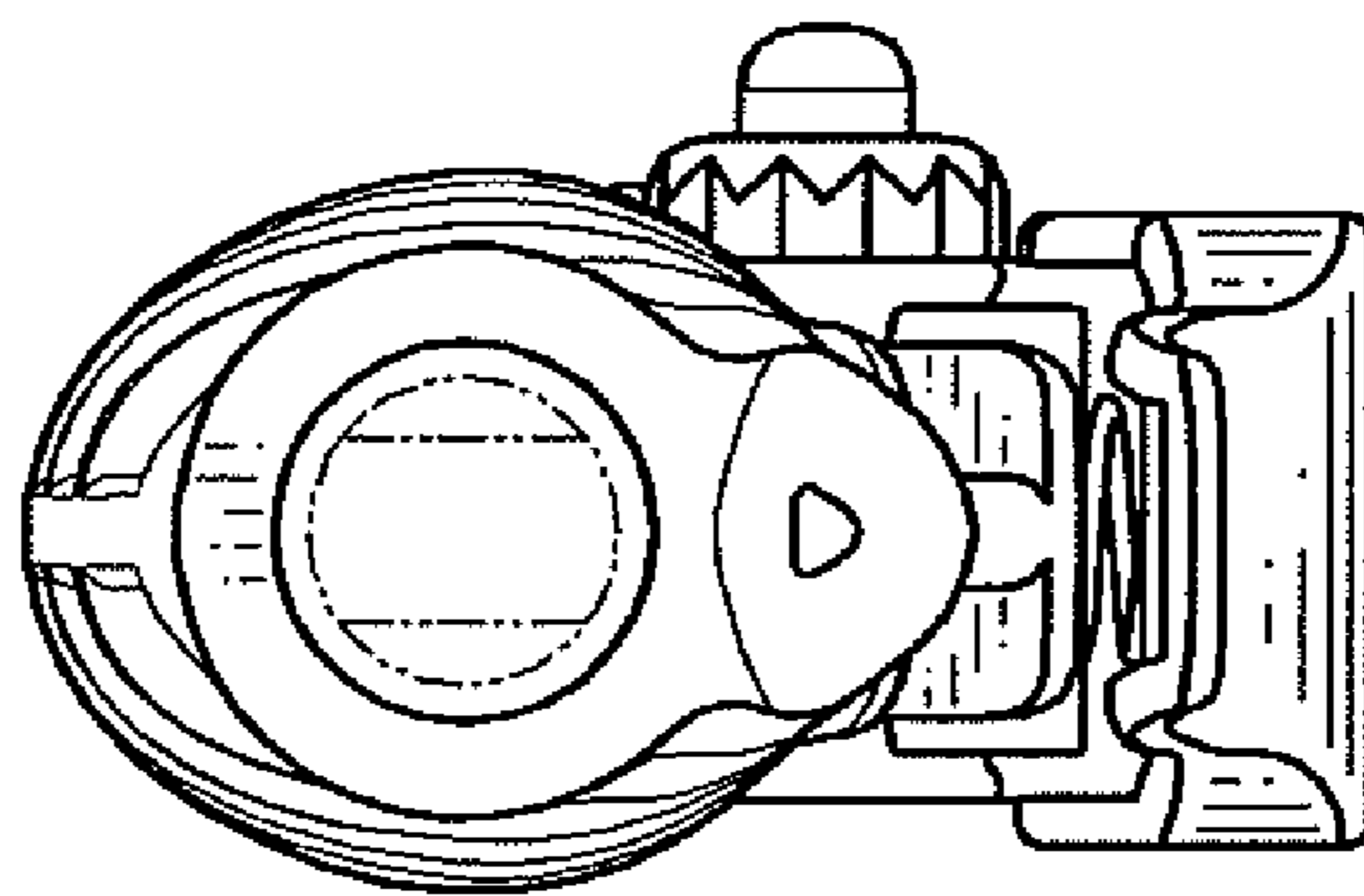


FIG. 8



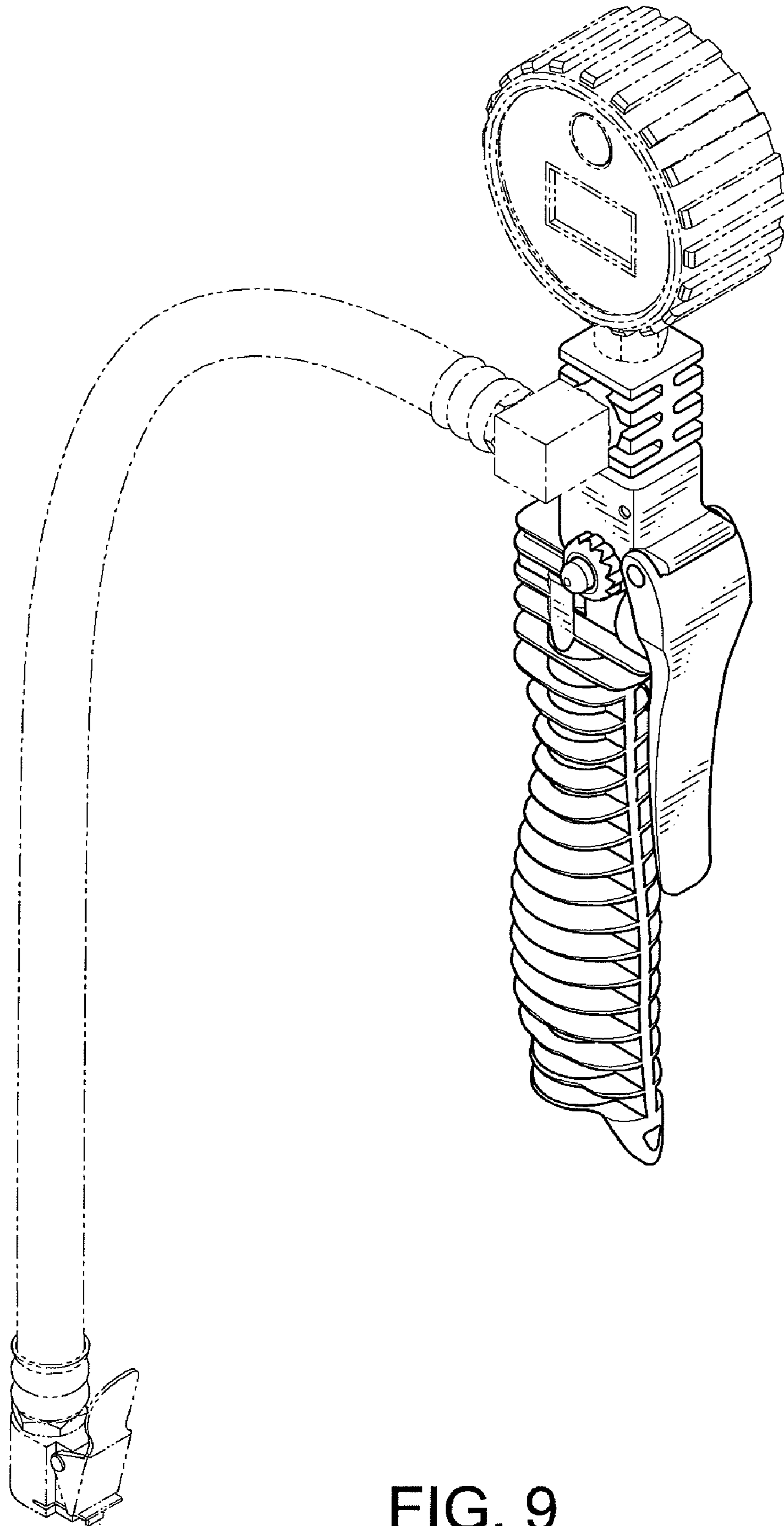


FIG. 9

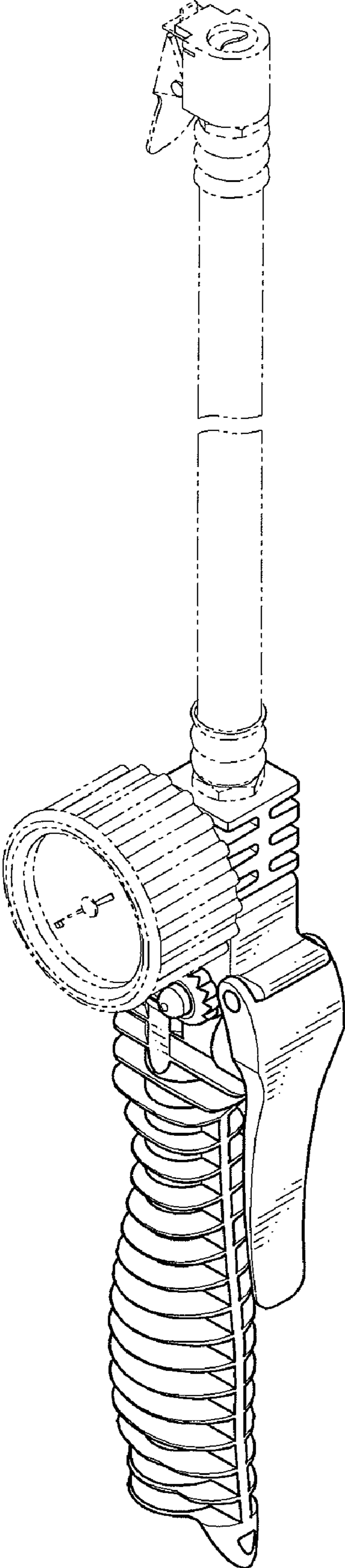


FIG. 10