



US00D619203S

(12) **United States Design Patent**  
**Mazzei**

(10) **Patent No.:** **US D619,203 S**  
(45) **Date of Patent:** **\*\* Jul. 6, 2010**

(54) **SPA NOZZLE**

(76) Inventor: **Angelo L. Mazzei**, 500 Rooster Dr.,  
Bakersfield, CA (US) 93307

(\*\*) Term: **14 Years**

(21) Appl. No.: **29/346,221**

(22) Filed: **Oct. 28, 2009**

(51) **LOC (9) Cl.** ..... **23-01**

(52) **U.S. Cl.** ..... **D23/213; D24/201**

(58) **Field of Classification Search** ..... D23/213,  
D23/214; D24/201; 239/259, 251, 225.1;  
4/541.6

See application file for complete search history.

(56) **References Cited**

**U.S. PATENT DOCUMENTS**

D259,735	S	*	6/1981	Moreland	.....	D23/213
4,581,781	A	*	4/1986	Ebert	.....	4/541.3
5,291,621	A	*	3/1994	Mathis	.....	4/541.4
D372,516	S	*	8/1996	Nimmo	.....	D23/213
D450,804	S	*	11/2001	Srinath et al.	.....	D23/213

6,491,238	B1	*	12/2002	Swanson et al.	.....	239/587.4
D562,432	S	*	2/2008	Dingler et al.	.....	D23/213
D608,009	S	*	1/2010	Vogtner et al.	.....	D24/204

\* cited by examiner

*Primary Examiner*—Robin V Webster

(74) *Attorney, Agent, or Firm*—James M. Duncan, Esq.;  
Klein, DeNatale, Goldner, et al.

(57) **CLAIM**

The ornamental design for a spa nozzle, as shown and described.

**DESCRIPTION**

FIG. 1 is a perspective view of a spa nozzle, showing my new design;

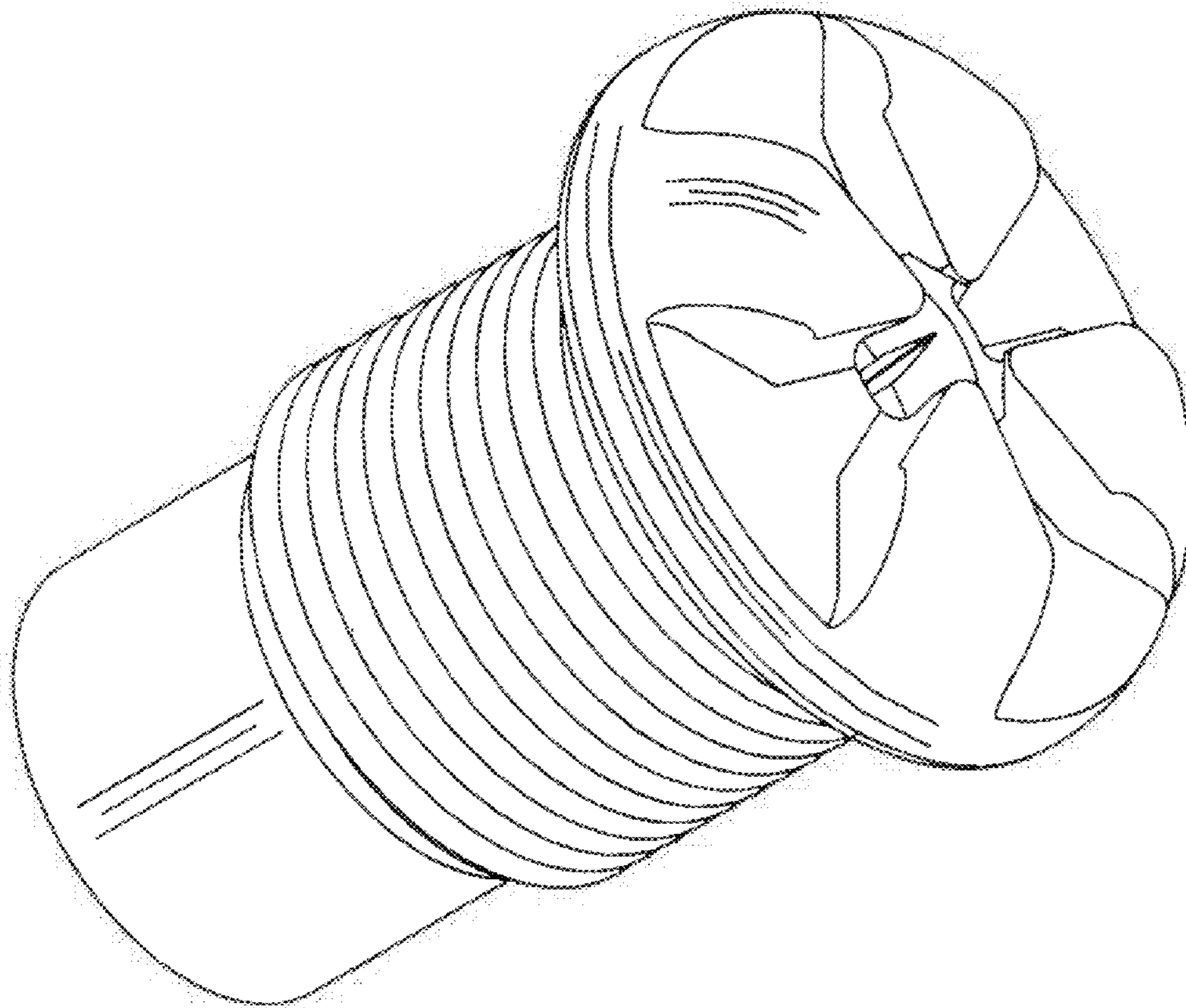
FIG. 2 is a top view thereof;

FIG. 3 is a bottom view thereof;

FIG. 4 is a left side view thereof, the right side being a mirror image thereof; and,

FIG. 5 is a second perspective view thereof.

**1 Claim, 3 Drawing Sheets**



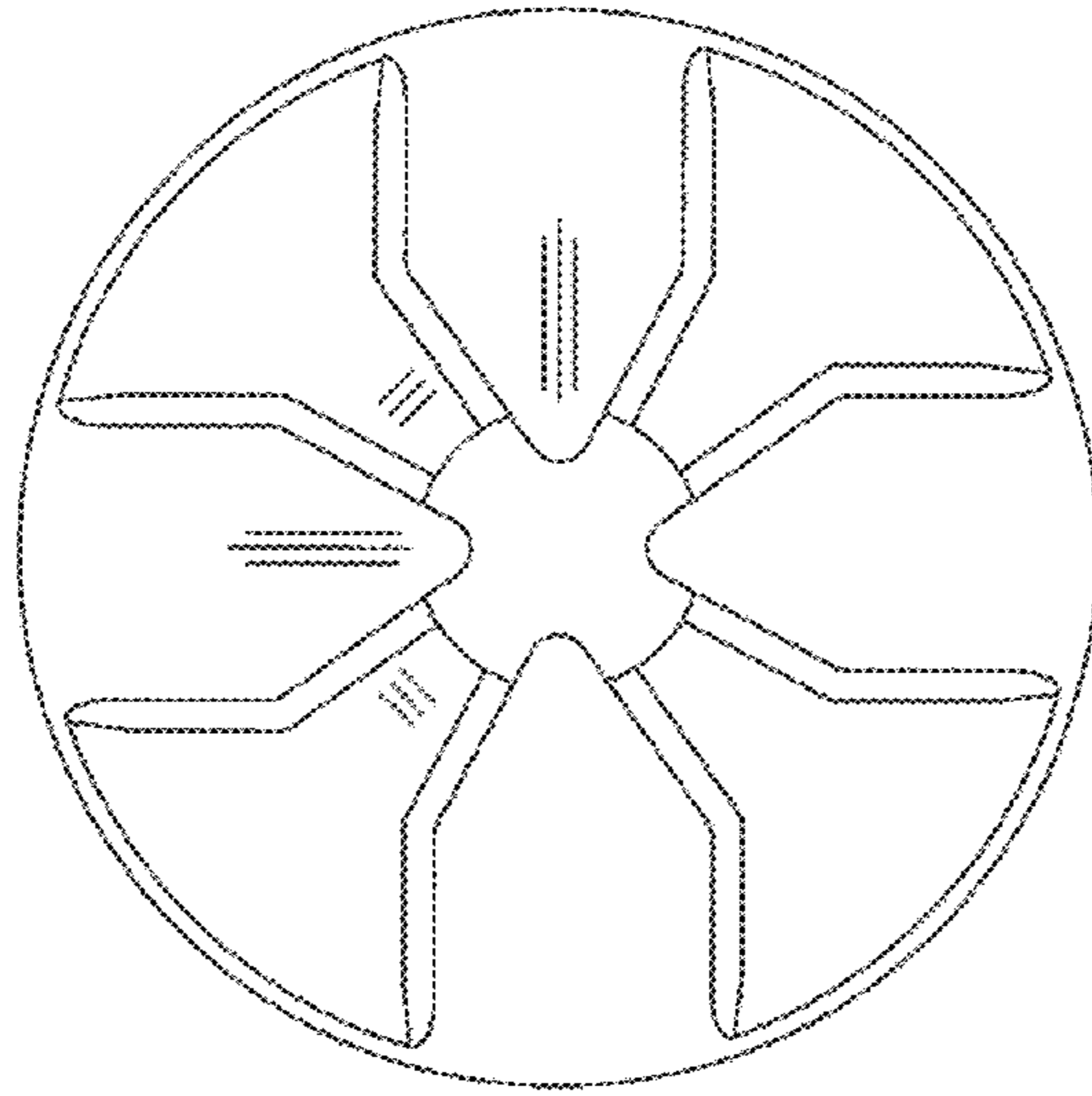


Fig 2

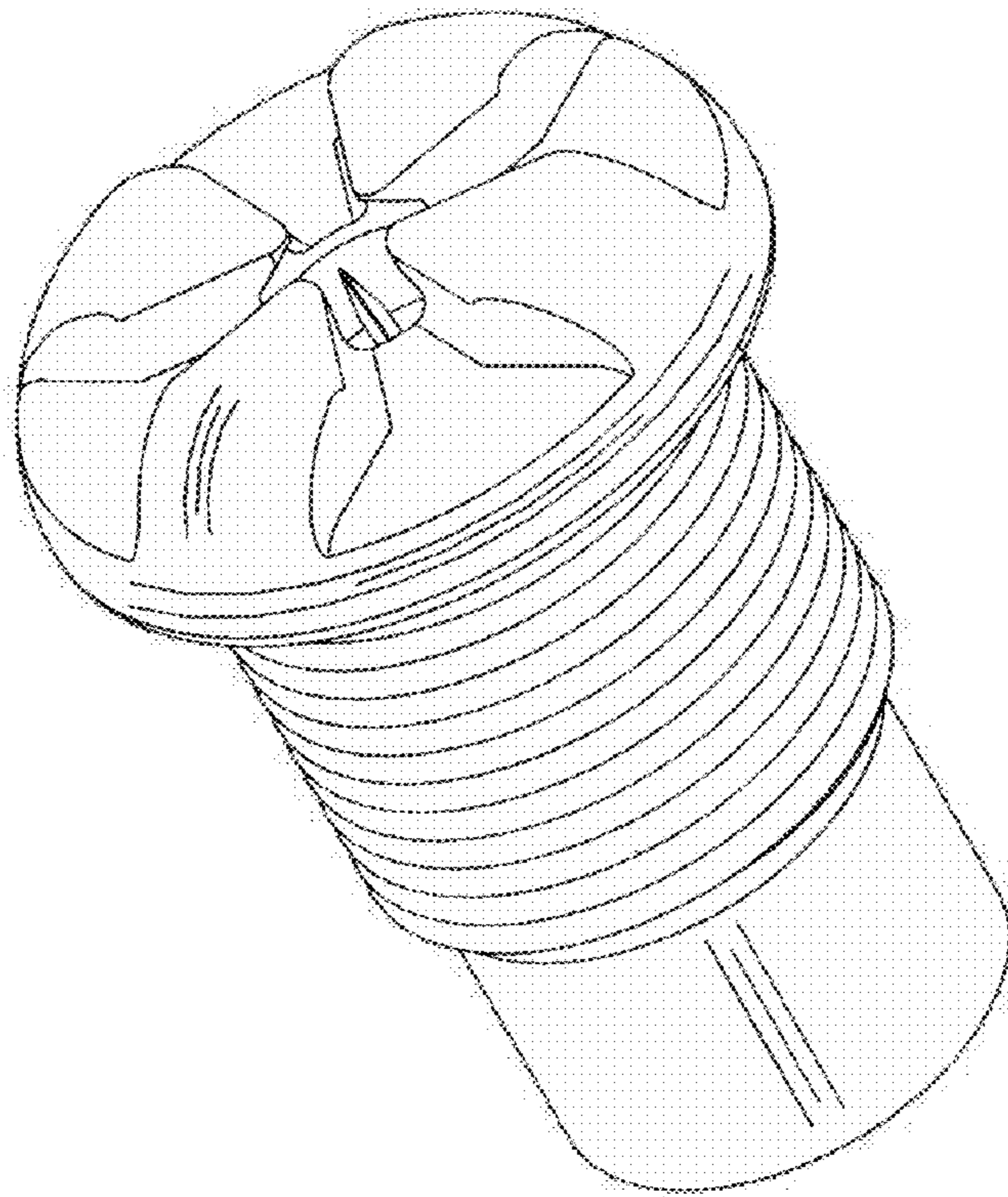


Fig 1

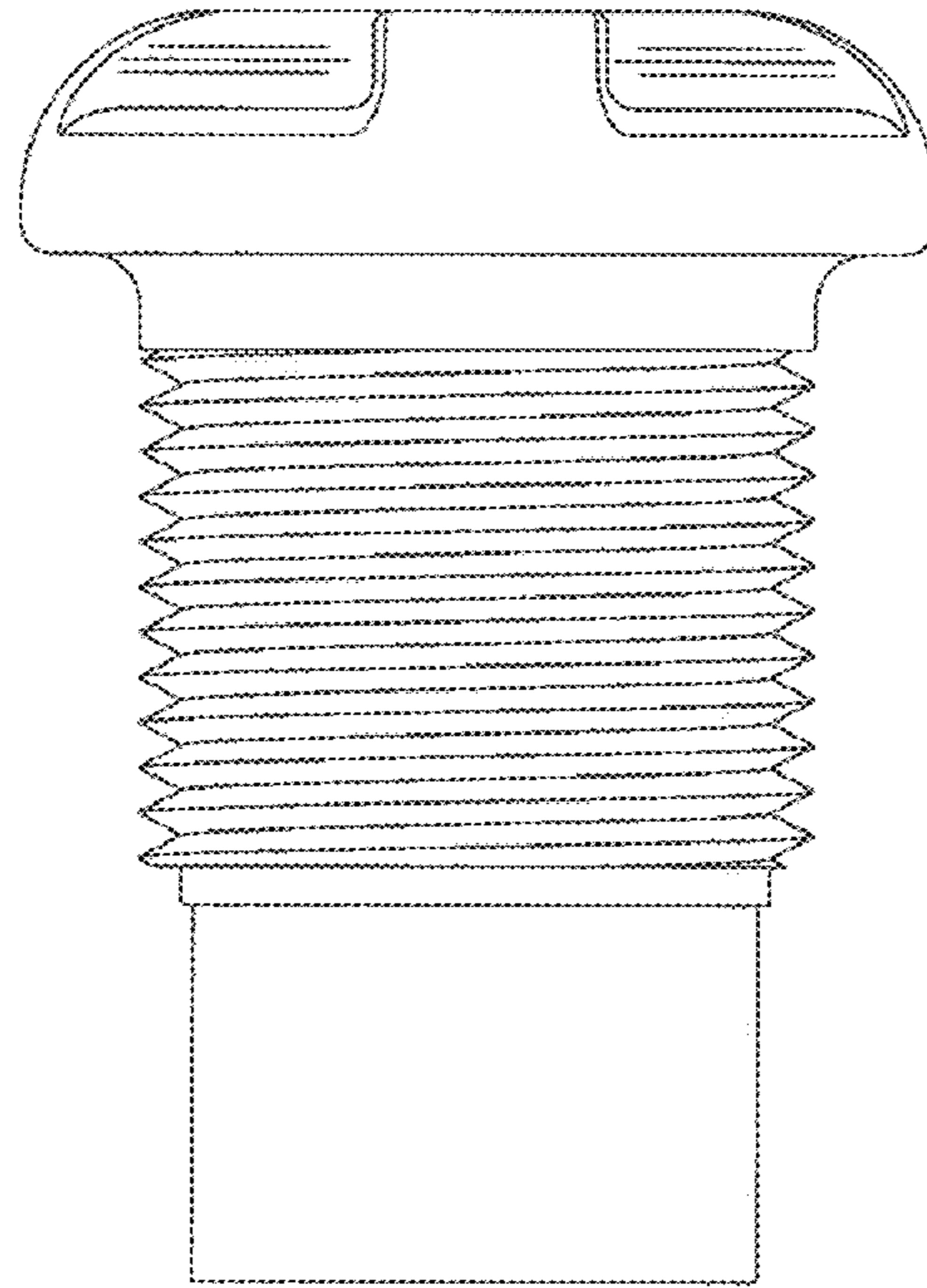


Fig 4

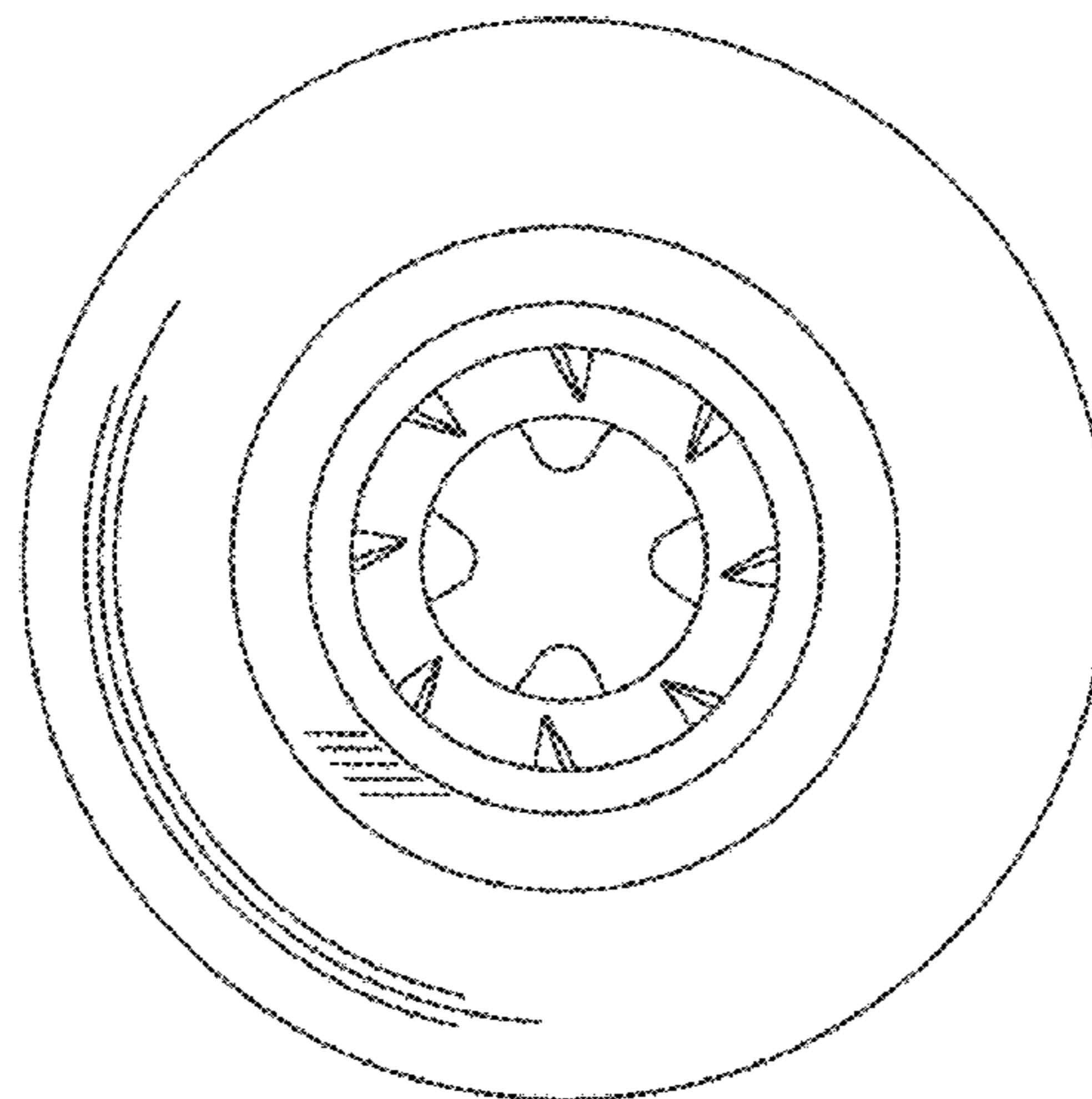


Fig 3

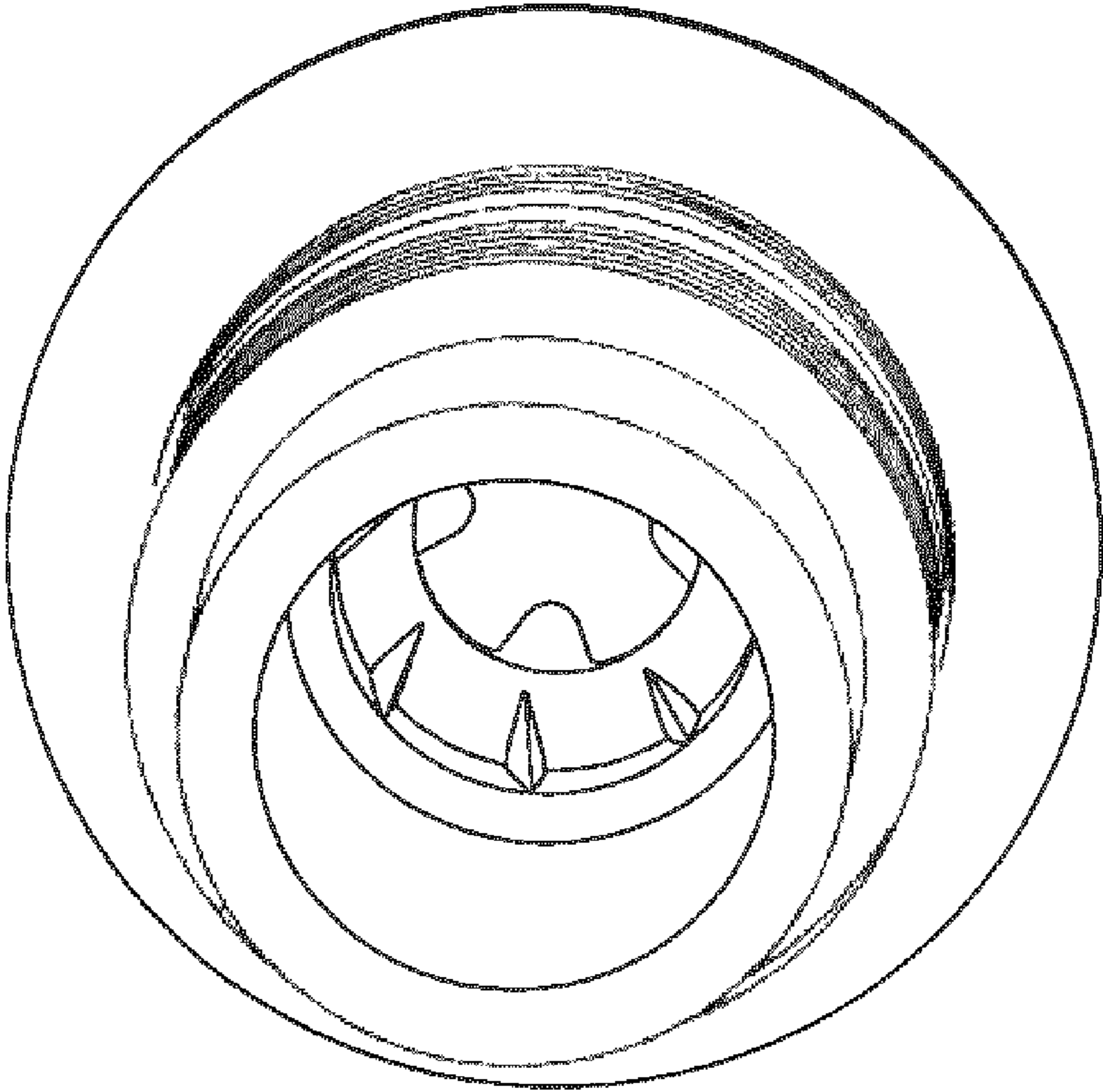


Fig 5