



US00D619200S

(12) **United States Design Patent**
Yousif

(10) **Patent No.:** **US D619,200 S**
(45) **Date of Patent:** **** Jul. 6, 2010**

(54) **WATER WHEEL AND WELL**

D375,998 S * 11/1996 Gore D23/201
6,210,113 B1 * 4/2001 Ihrenberger 416/116
D498,510 S * 11/2004 Berggren D23/201

(76) Inventor: **Isaac Sheba Yousif**, 1972 W. Foster Ave., Chicago, IL (US) 60640

* cited by examiner

(**) Term: **14 Years**

Primary Examiner—Robin V Webster
(74) *Attorney, Agent, or Firm*—Beem Patent Law Firm

(21) Appl. No.: **29/263,082**

(22) Filed: **Jul. 17, 2006**

(57) **CLAIM**

(51) **LOC (9) Cl.** **23-01**

The ornamental design for a water wheel and well, as shown and described.

(52) **U.S. Cl.** **D23/200**

(58) **Field of Classification Search** D23/200,
D23/201; 415/6, 8, 11; 416/6, 131, 132 B
See application file for complete search history.

DESCRIPTION

(56) **References Cited**

U.S. PATENT DOCUMENTS

730,260 A * 6/1903 Harris 415/6
1,378,561 A * 5/1921 Rowlett 416/178
2,503,832 A * 4/1950 McCune 446/166
D245,270 S * 8/1977 Williams et al. D30/106
D291,709 S * 9/1987 Davis D21/585
D323,793 S * 2/1992 Buth D11/149

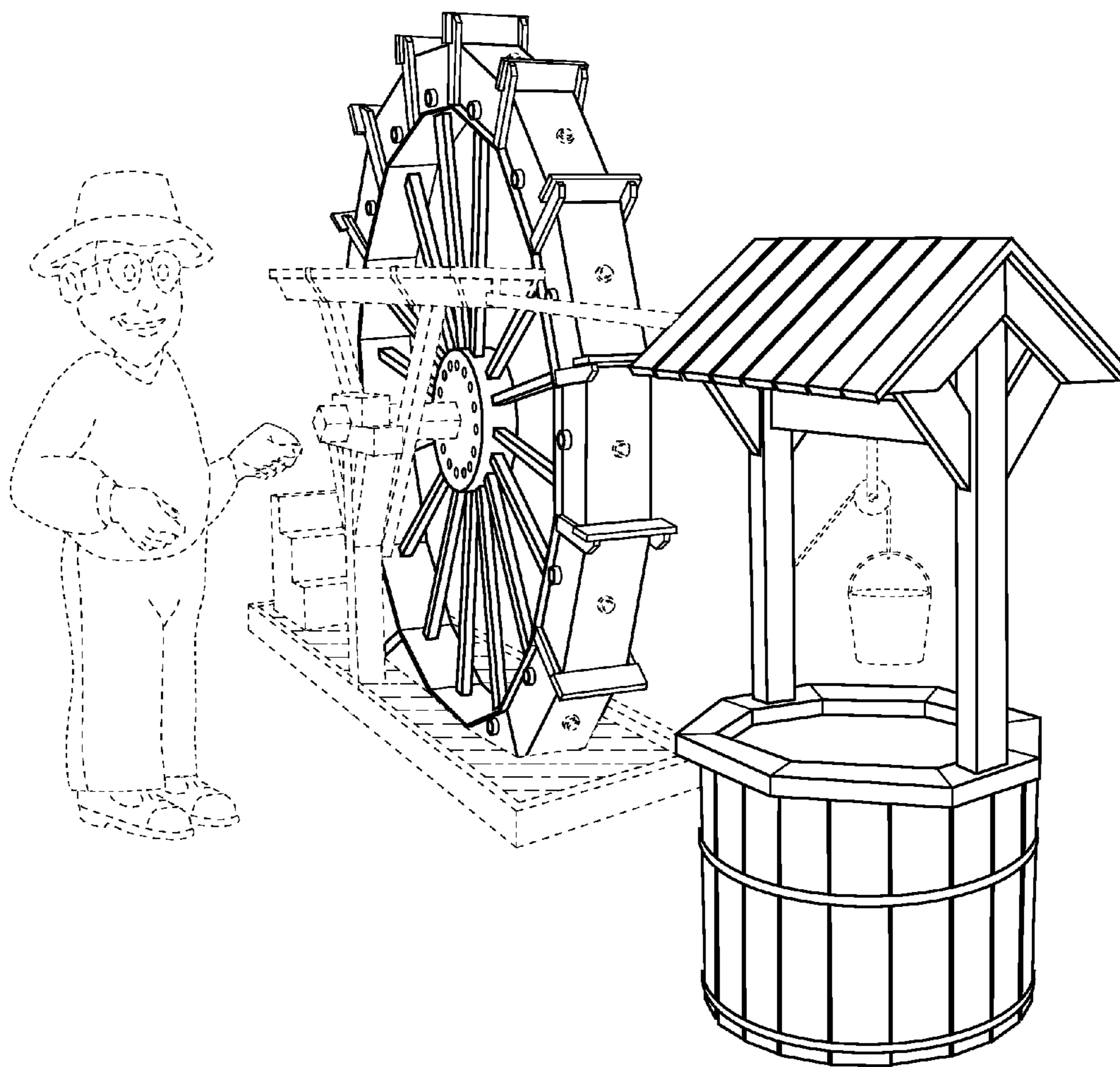
FIG. 1 is a perspective right side view of a water wheel and well showing my new design.

FIG. 2 is a perspective left side view of the water wheel and well of FIG. 1; and,

FIG. 3 is a front view of the water wheel and well of FIG. 1.

The broken lines are for illustrative purposes only and form no part of the claimed design.

1 Claim, 3 Drawing Sheets



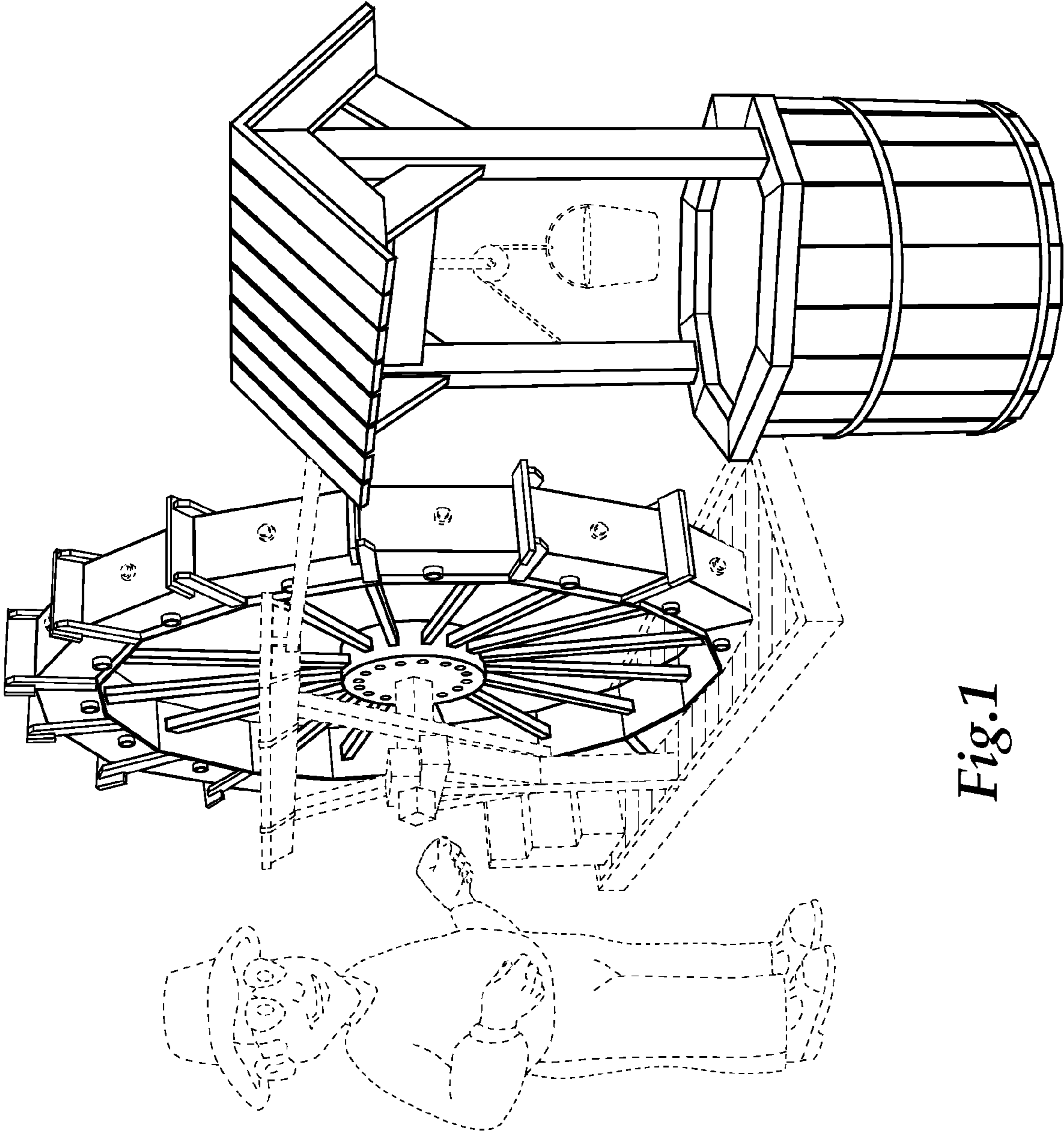


Fig. 1

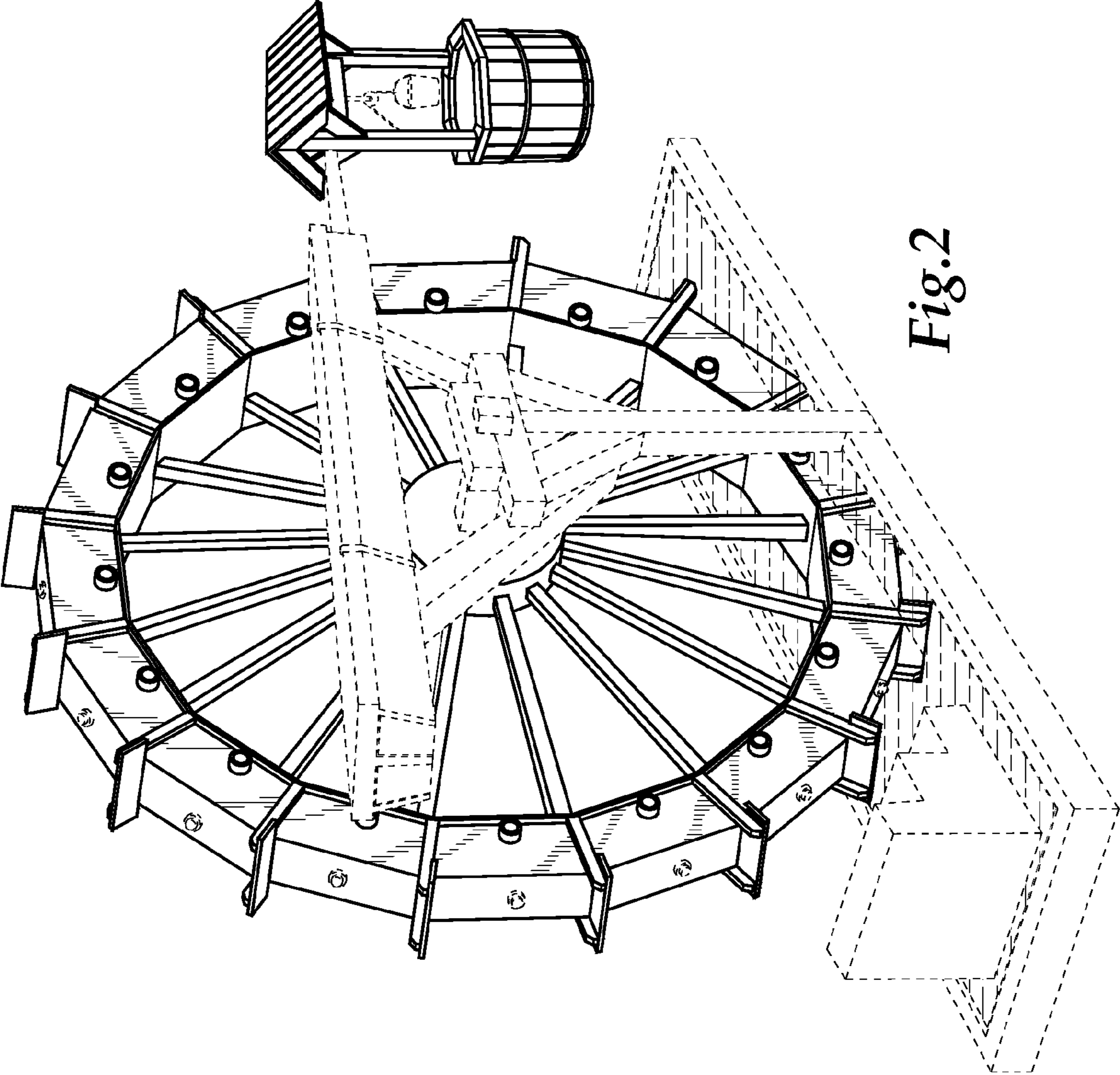


Fig. 2

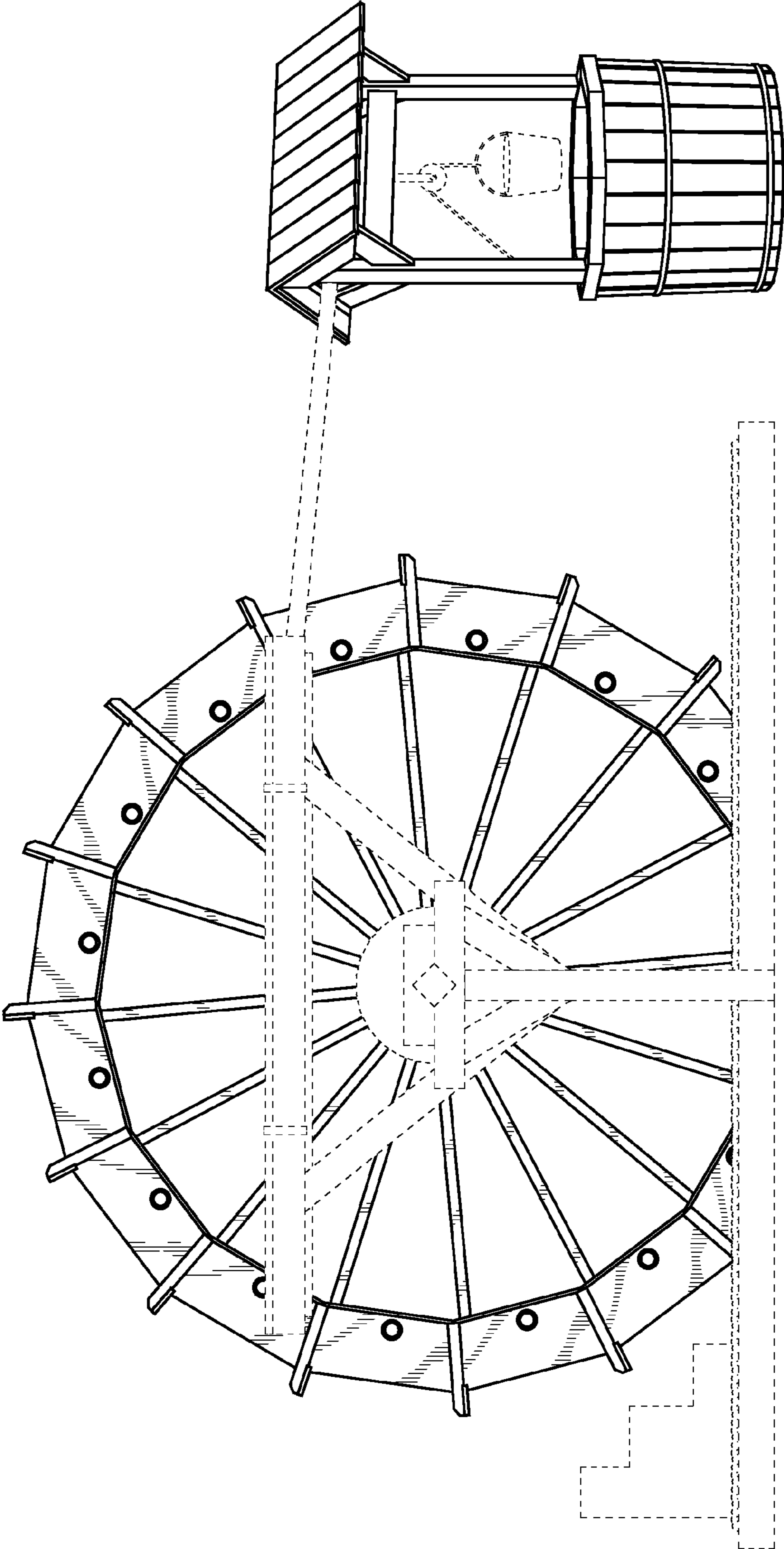


Fig.3