



US00D619196S

(12) **United States Design Patent**  
**Cardwell, III et al.**

(10) **Patent No.:** **US D619,196 S**  
(45) **Date of Patent:** **\*\* Jul. 6, 2010**

(54) **DISPENSER**

(75) Inventors: **Walter W. Cardwell, III**, Austin, TX  
(US); **James O. Guleke**, Austin, TX  
(US); **William M. Griffin**, St.  
Petersburg, FL (US)

(73) Assignee: **Spitfire Ltd.**, Austin, TX (US)

(\*\*) Term: **14 Years**

(21) Appl. No.: **29/340,678**

(22) Filed: **Jul. 23, 2009**

(51) **LOC (9) Cl.** ..... **22-02**

(52) **U.S. Cl.** ..... **D22/117**

(58) **Field of Classification Search** ..... D22/117-120,  
D22/199; D25/215; 463/47.2, 47.7, 47.4,  
463/47.6; D8/300, 303, 305; 222/402.11,  
222/153.11

See application file for complete search history.

(56) **References Cited**

U.S. PATENT DOCUMENTS

D236,722 S \* 9/1975 Starrett ..... D22/117  
D322,022 S \* 12/1991 Cunningham et al. .... D8/303  
5,509,581 A 4/1996 Parsons  
D376,024 S \* 11/1996 Ryan ..... D22/117

5,593,159 A \* 1/1997 Otake ..... 463/47.2  
6,199,726 B1 3/2001 Cardwell  
D479,737 S \* 9/2003 Teeters ..... D22/117  
D515,654 S \* 2/2006 Trbovich, Jr. .... D22/118  
D600,357 S \* 9/2009 Chaput ..... D24/215

\* cited by examiner

*Primary Examiner*—Catherine R Oliver

(74) *Attorney, Agent, or Firm*—Brian F. Russell; Dillon &  
Yudell LLP

(57) **CLAIM**

The ornamental design for dispenser, as shown and described.

**DESCRIPTION**

FIG. 1 is a perspective view of the dispenser showing our new design;

FIG. 2 is a top plan view thereof;

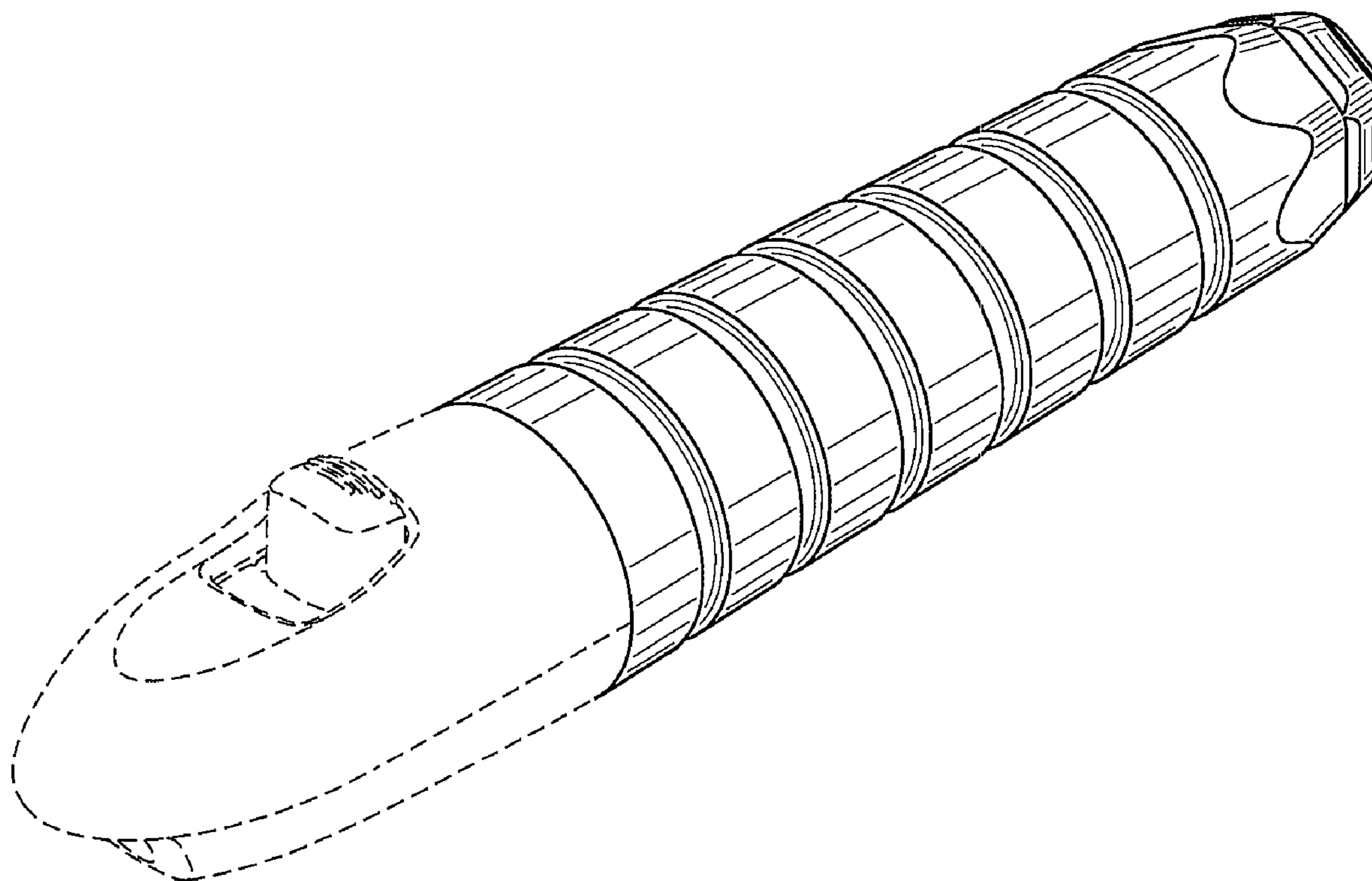
FIG. 3 is a bottom plan view thereof;

FIG. 4 is a side elevation view thereof; and,

FIG. 5 is a rear elevation view thereof.

The broken line showing of environment in the drawings is included for the purpose of illustrating only and forms no part of the claimed design.

**1 Claim, 5 Drawing Sheets**



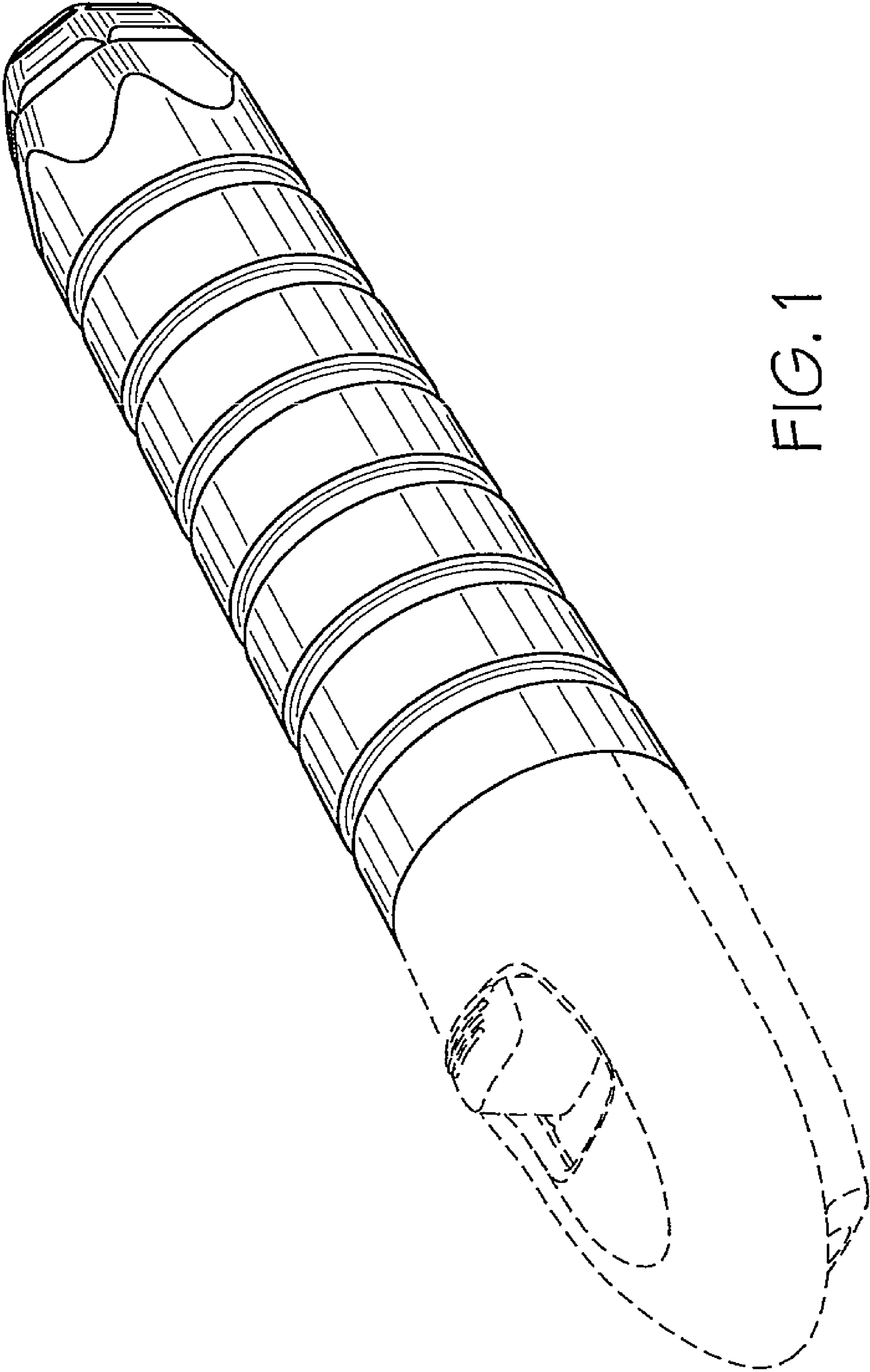


FIG. 1

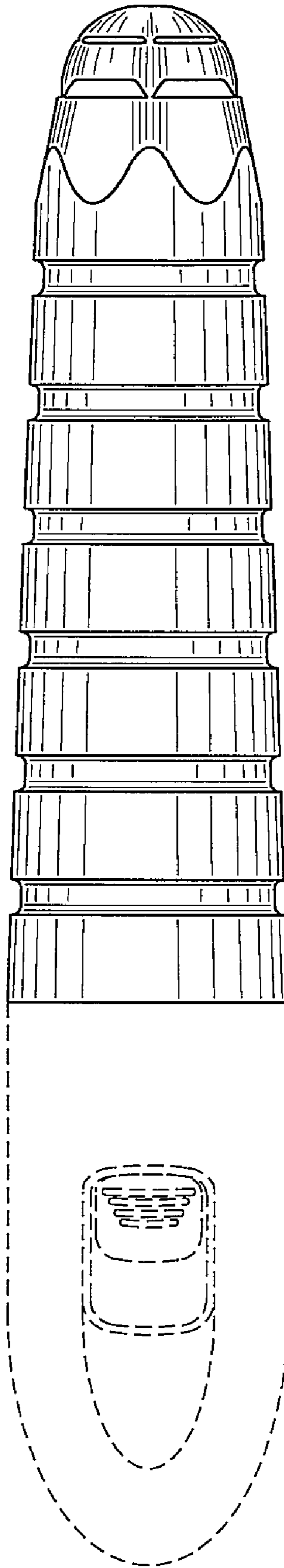


FIG. 2

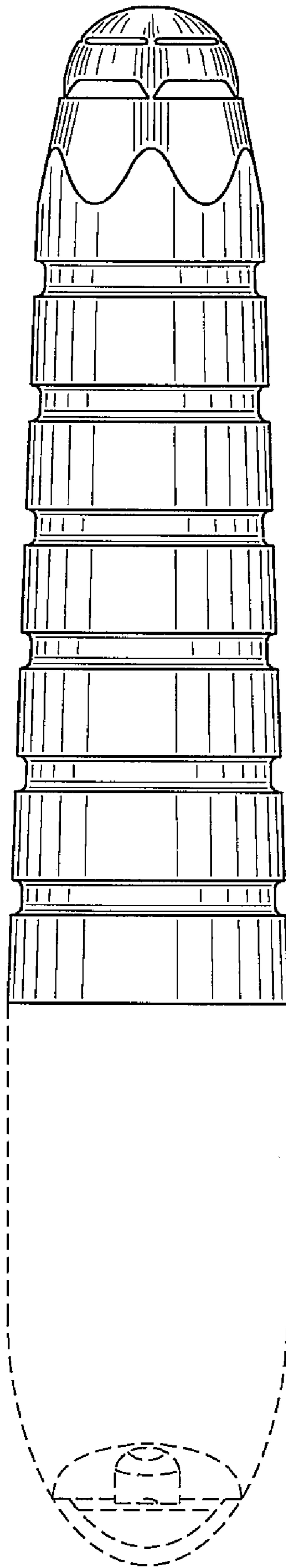


FIG. 3

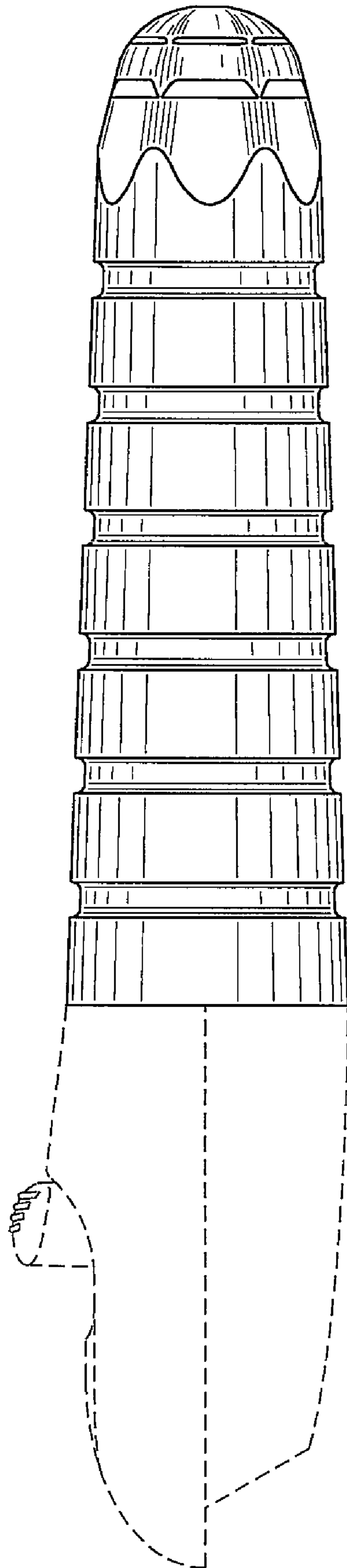


FIG. 4

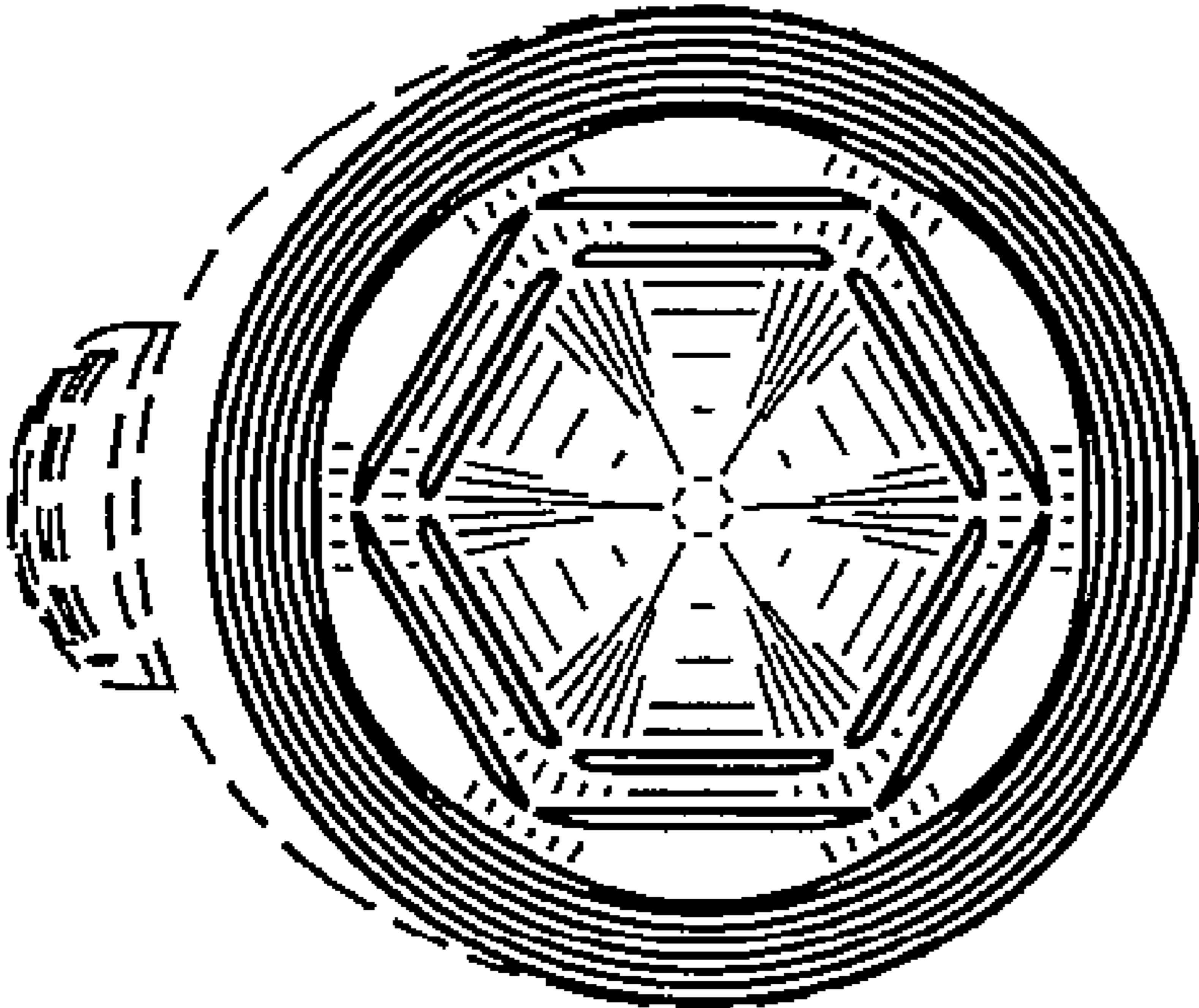


FIG. 5