



US00D619195S

(12) **United States Design Patent**  
**Bengtsson**

(10) **Patent No.:** **US D619,195 S**

(45) **Date of Patent:** **\*\* Jul. 6, 2010**

(54) **FASTENER FOR SIGHT**

(75) Inventor: **Peter Bengtsson**, Oxie (SE)

(73) Assignee: **GS Development AB**, Malmö (SE)

(\*\*) Term: **14 Years**

(21) Appl. No.: **29/339,928**

(22) Filed: **Jul. 10, 2009**

(51) **LOC (9) Cl.** ..... **22-01**

(52) **U.S. Cl.** ..... **D22/110**

(58) **Field of Classification Search** ..... D22/108-110,  
D22/199; D16/132, 130, 133, 330, 134;  
359/399, 823, 744; 42/111, 133, 119, 122  
See application file for complete search history.

(56) **References Cited**

**U.S. PATENT DOCUMENTS**

5,046,277	A *	9/1991	Sanders	.....	42/124
5,375,361	A *	12/1994	Rustick	.....	42/125
D502,244	S *	2/2005	Oz	.....	D22/109
7,243,456	B2 *	7/2007	Williams et al.	.....	42/125

\* cited by examiner

*Primary Examiner*—T. Chase Nelson

*Assistant Examiner*—Michael A Pratt

(74) *Attorney, Agent, or Firm*—Thomas, Kayden,  
Horstemeyer & Risley, LLP; Too Deveau

(57) **CLAIM**

The ornamental design for a fastener for sight, as shown and described.

**DESCRIPTION**

FIG. 1 is a perspective top view of my new fastener for sight;

FIG. 2 is a top plan view of my new fastener for sight;

FIG. 3 is a side elevational view of my new fastener for sight taken from the right side of FIG. 2;

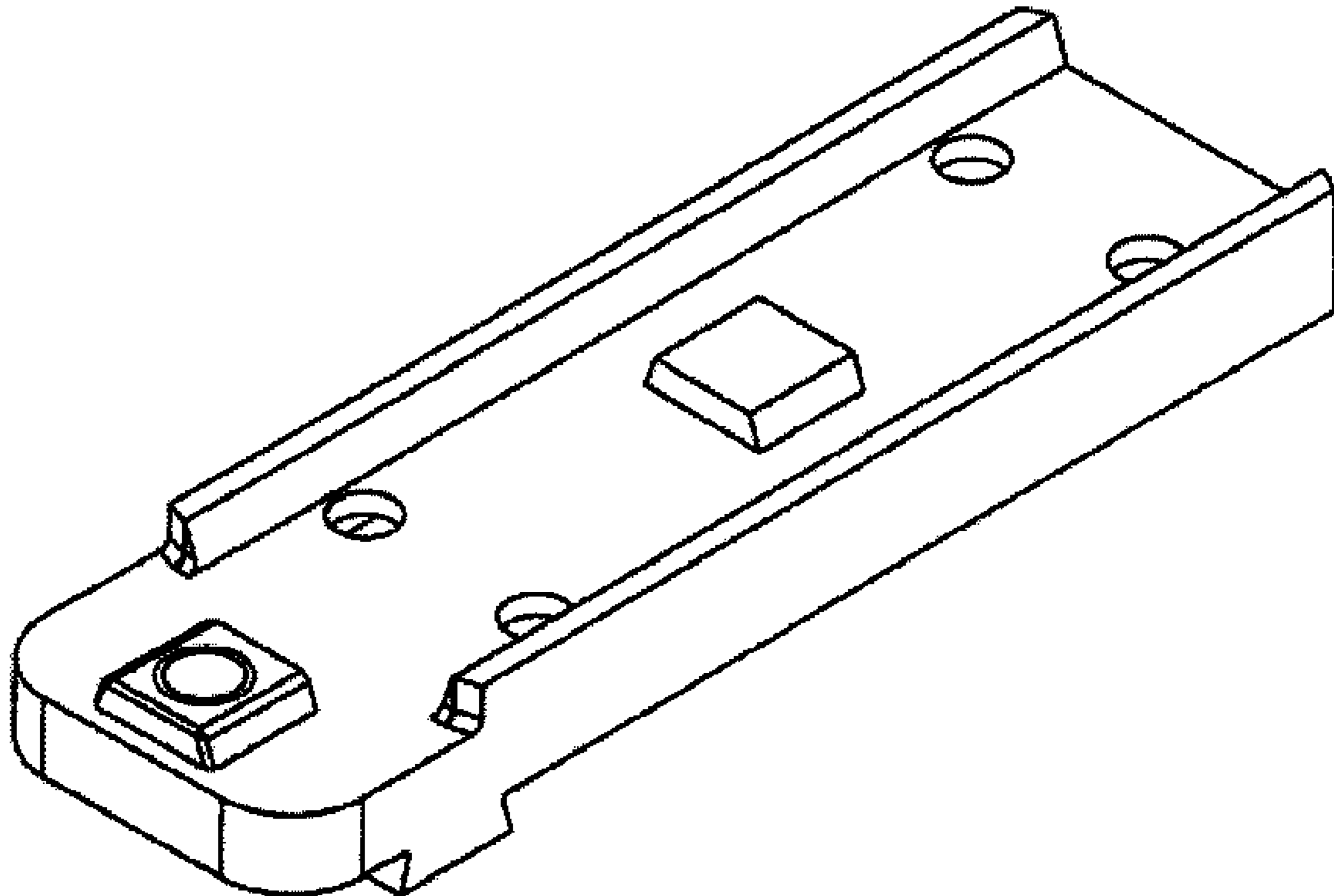
FIG. 4 is a side elevational view of my new fastener for sight from the side opposite that of FIG. 3, namely the left side of FIG. 2;

FIG. 5 is an end view of my new fastener for sight;

FIG. 6 is a bottom plan view of my new fastener for sight; and,

FIG. 7 is a perspective bottom view of my new fastener for sight.

**1 Claim, 7 Drawing Sheets**



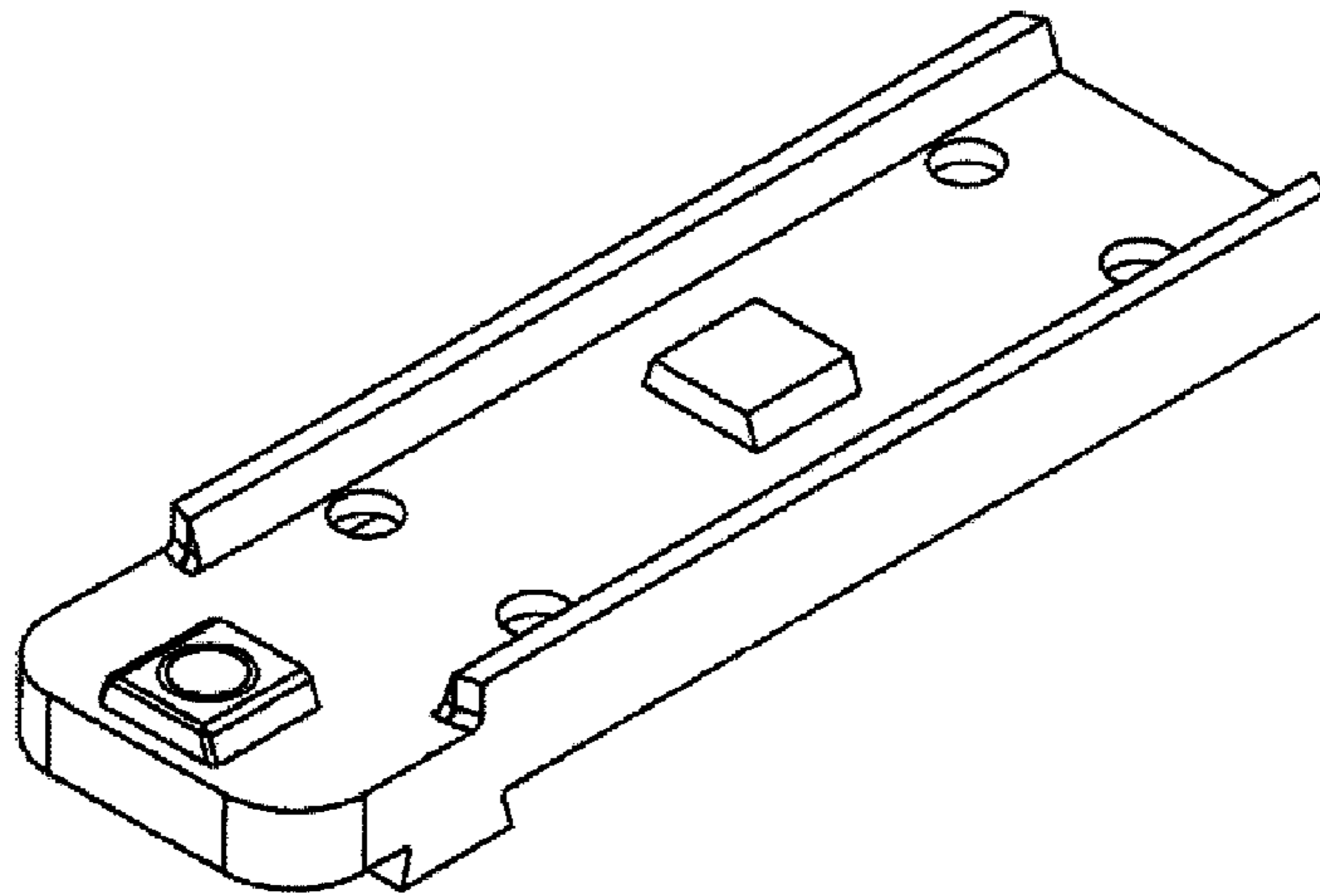


FIG. 1

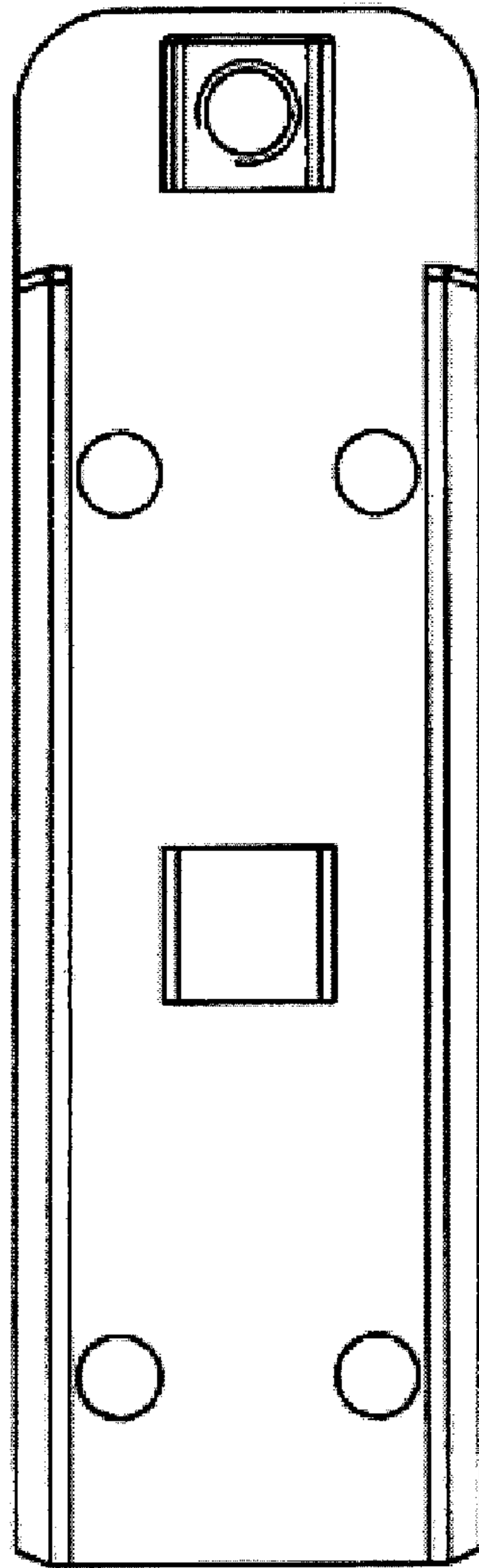


FIG. 2

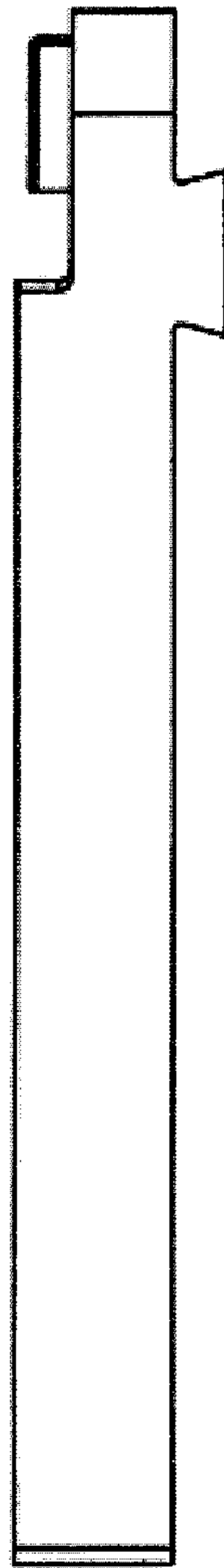


FIG. 3

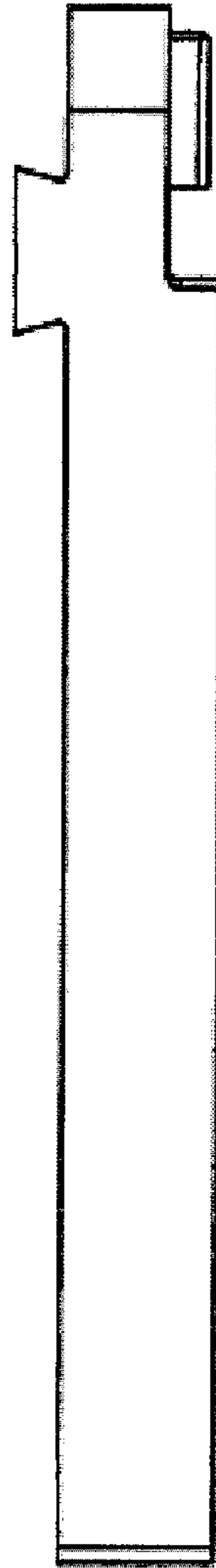


FIG. 4



FIG. 5

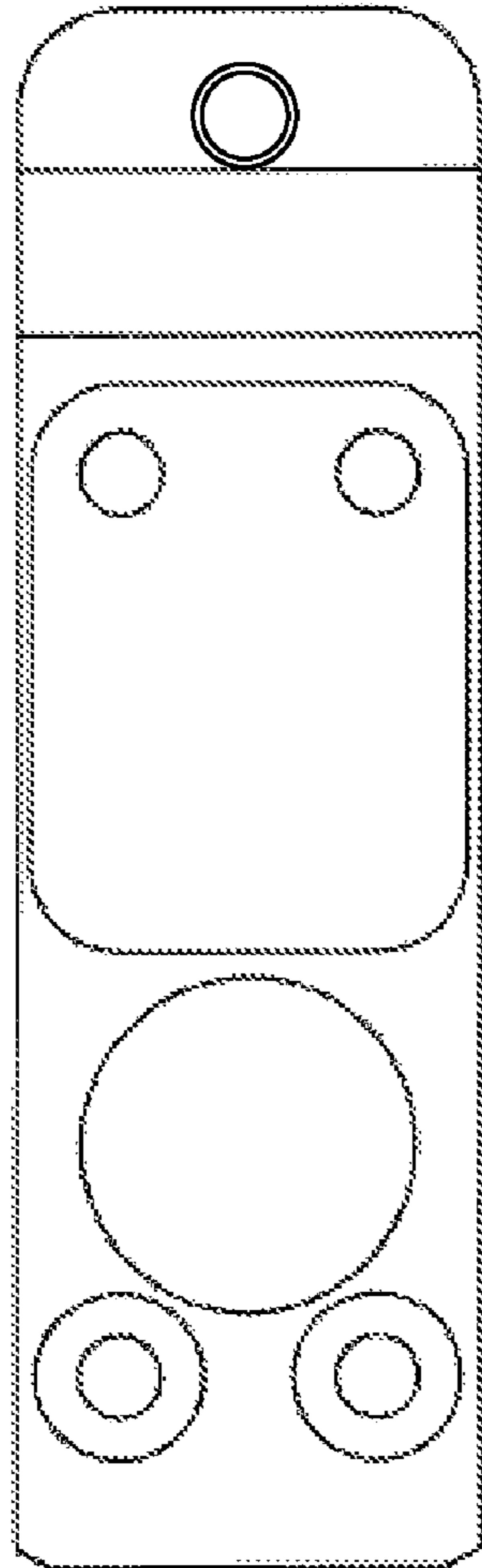


FIG. 6

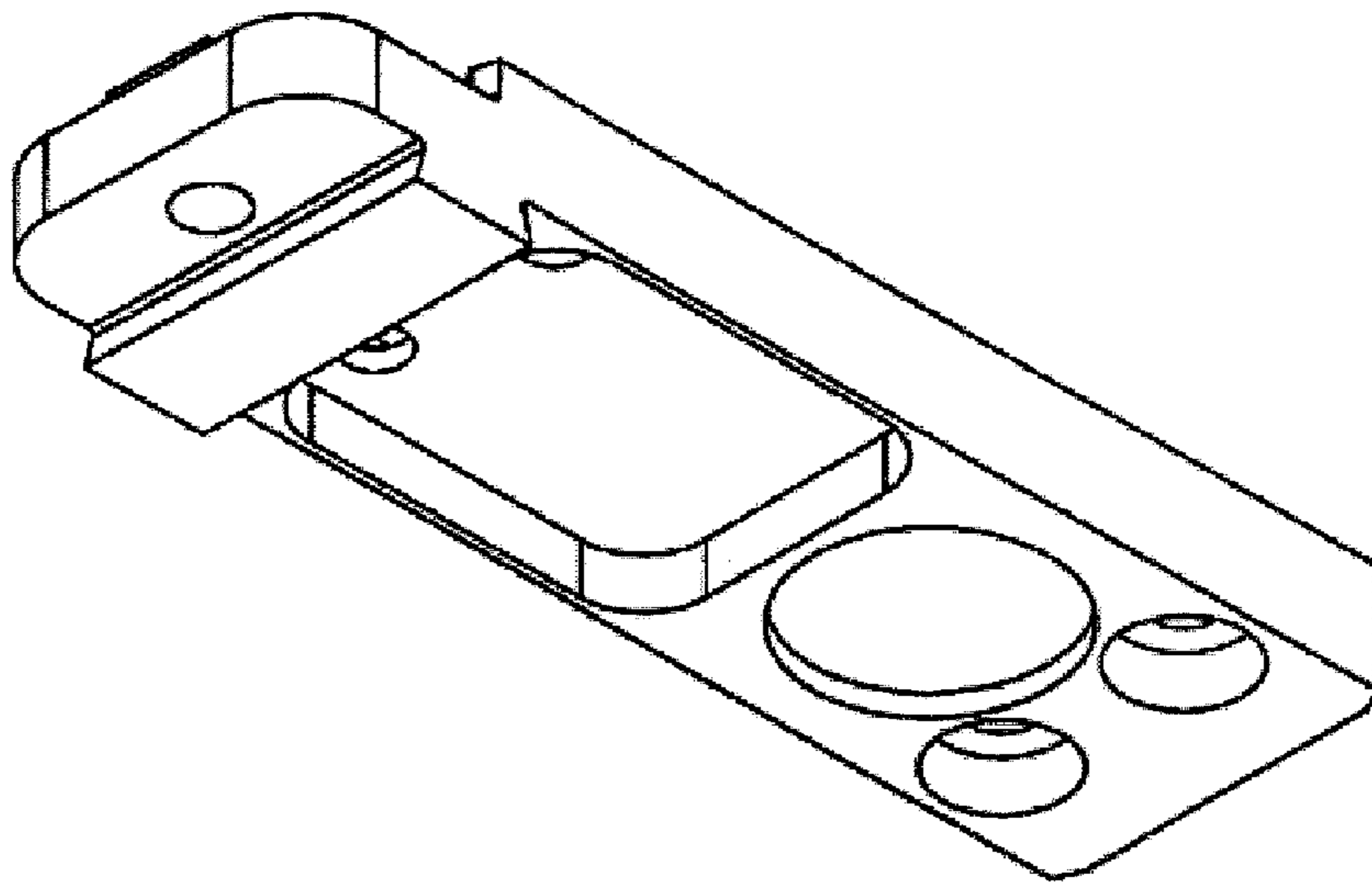


FIG. 7