



US00D619193S

(12) **United States Design Patent**
Riley

(10) **Patent No.:** **US D619,193 S**

(45) **Date of Patent:** **** Jul. 6, 2010**

(54) **RIFLE SCOPE WITH TURRET AND
MAGNIFICATION ADJUSTING RING**

D594,495 S 6/2009 York D16/132

* cited by examiner

(75) Inventor: **Lou Riley**, Fr. Lauderdale, FL (US)

Primary Examiner—T. Chase Nelson

Assistant Examiner—Michael A Pratt

(73) Assignee: **Gamo Outdoor USA, Inc.**, Ft.
Lauderdale, FL (US)

(74) *Attorney, Agent, or Firm*—King & Spalding L.L.P.

(**) Term: **14 Years**

(57) **CLAIM**

(21) Appl. No.: **29/345,331**

The ornamental design for a rifle scope with turret and magnification adjusting ring, as shown and described.

(22) Filed: **Oct. 14, 2009**

DESCRIPTION

(51) **LOC (9) Cl.** **22-01**

FIG. 1 is a perspective view a rifle scope with turret and magnification adjusting ring, showing my new design;

(52) **U.S. Cl.** **D22/108**

FIG. 2 is a perspective view thereof;

(58) **Field of Classification Search** D22/108–110,
D22/199; D16/132, 130, 133, 330, 134;
359/399, 823, 744; 42/111, 133, 119, 122

FIG. 3 is a first side elevational view thereof;

FIG. 4 is a second side elevational view thereof;

See application file for complete search history.

FIG. 5 is front elevational view thereof, the view as shown is taken from the direction and viewpoint indicated at location 5—5;

(56) **References Cited**

U.S. PATENT DOCUMENTS

D308,981 S *	7/1990	Moore	D16/132
D308,982 S *	7/1990	Moore	D16/132
D330,036 S	10/1992	Owens	D16/132
D413,153 S *	8/1999	Tucker	D22/109
D421,286 S *	2/2000	Tucker	D22/109
D427,658 S *	7/2000	Tucker	D22/109
D444,160 S *	6/2001	Koshibe et al.	D16/132
6,508,026 B1 *	1/2003	Uppiano et al.	42/119
D476,714 S *	7/2003	Meinzer	D22/109
D522,550 S	6/2006	Kung	D16/132
D548,761 S	8/2007	Kung	D16/132
D579,960 S	11/2008	Kung	D16/132

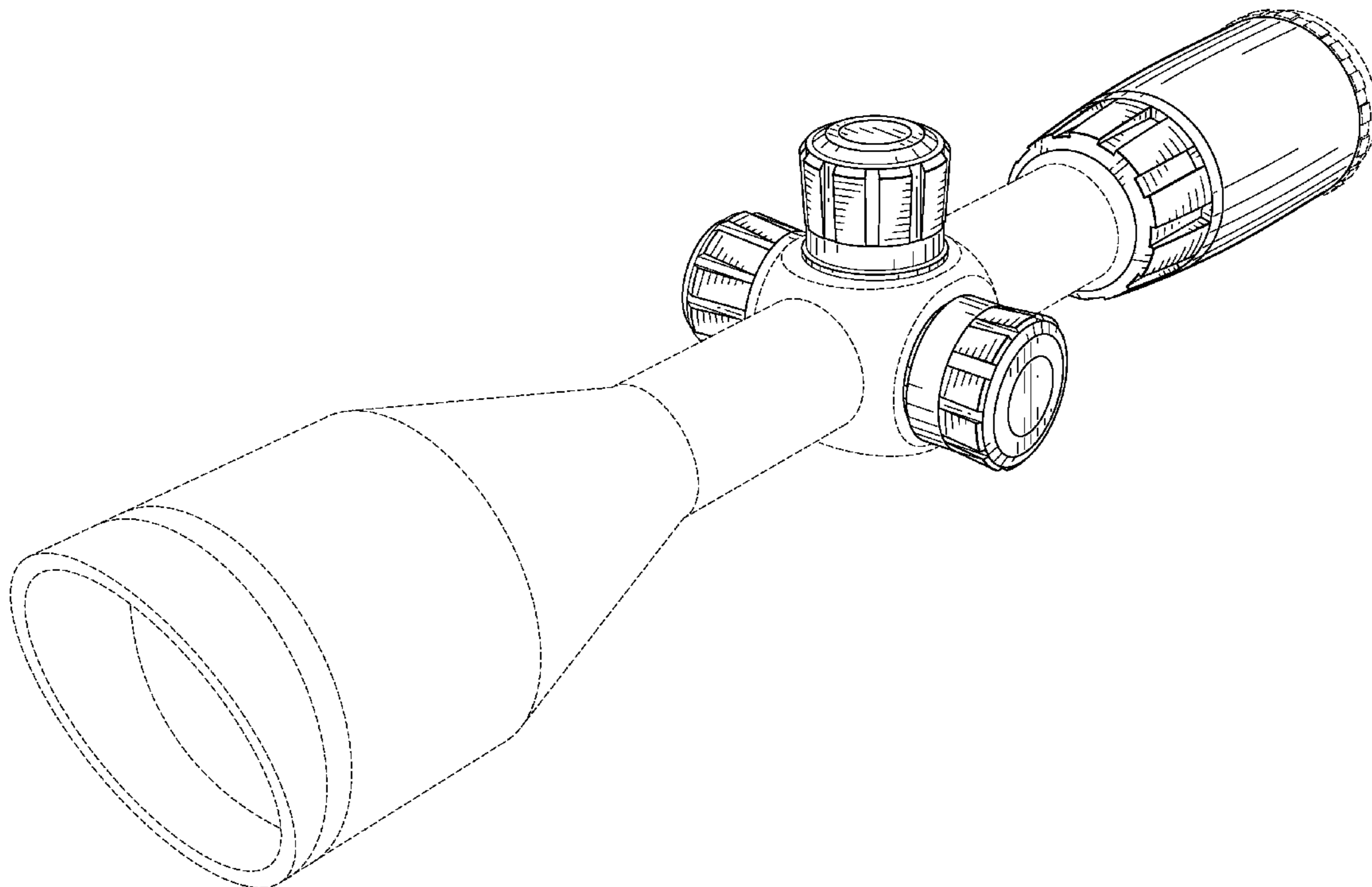
FIG. 6 is rear elevational view thereof, the view as shown is taken from the direction and viewpoint indicated at location 6—6;

FIG. 7 is a top elevational view thereof; and,

FIG. 8 is bottom elevational view thereof.

The broken lines depict portions of the rifle scope with turret and magnification adjusting ring that form no part of the claimed design. The broken line structure depicted in FIG. 1 is only partially depicted in the FIG. 2 through 8 views.

1 Claim, 5 Drawing Sheets



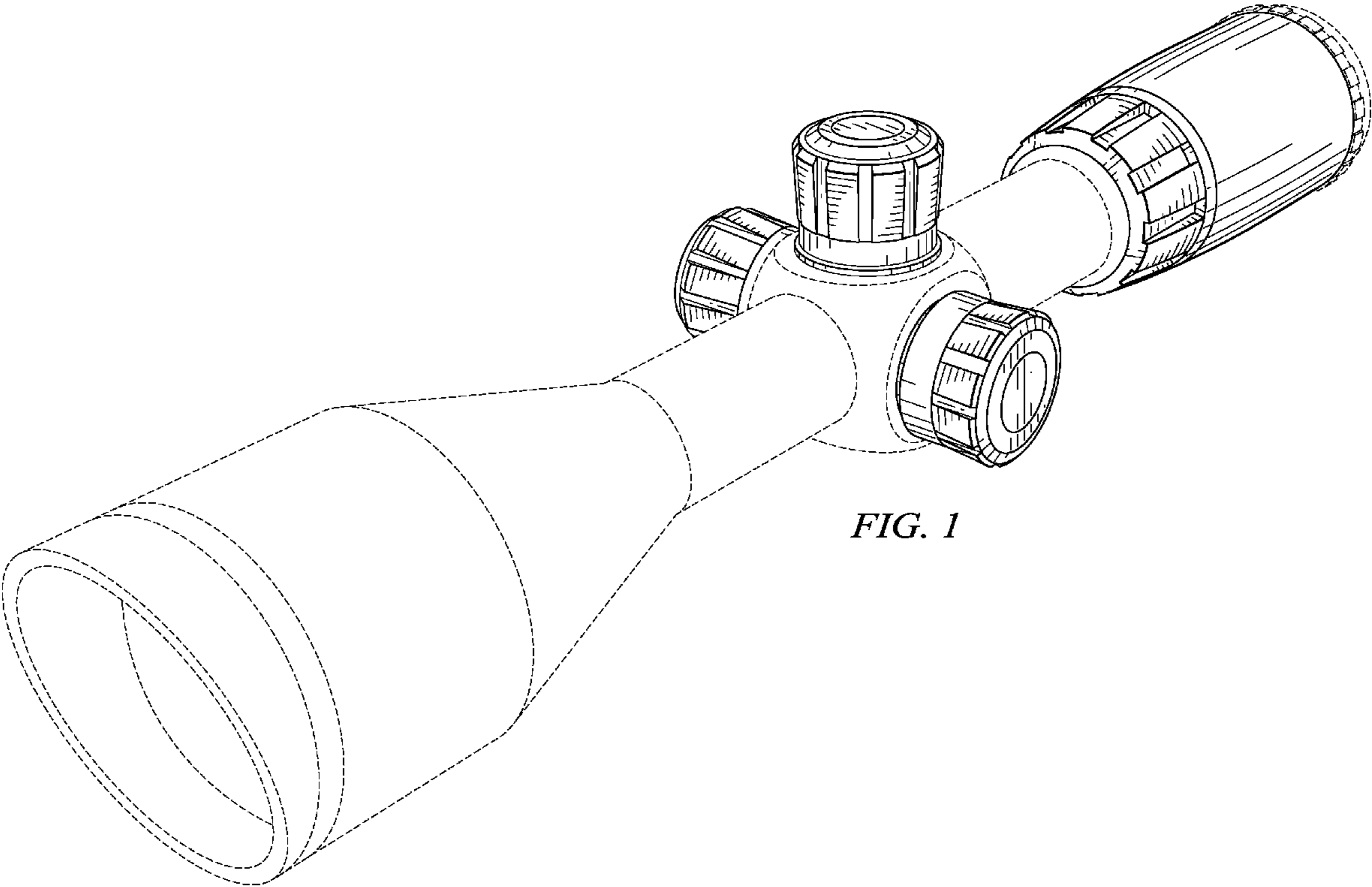


FIG. 1

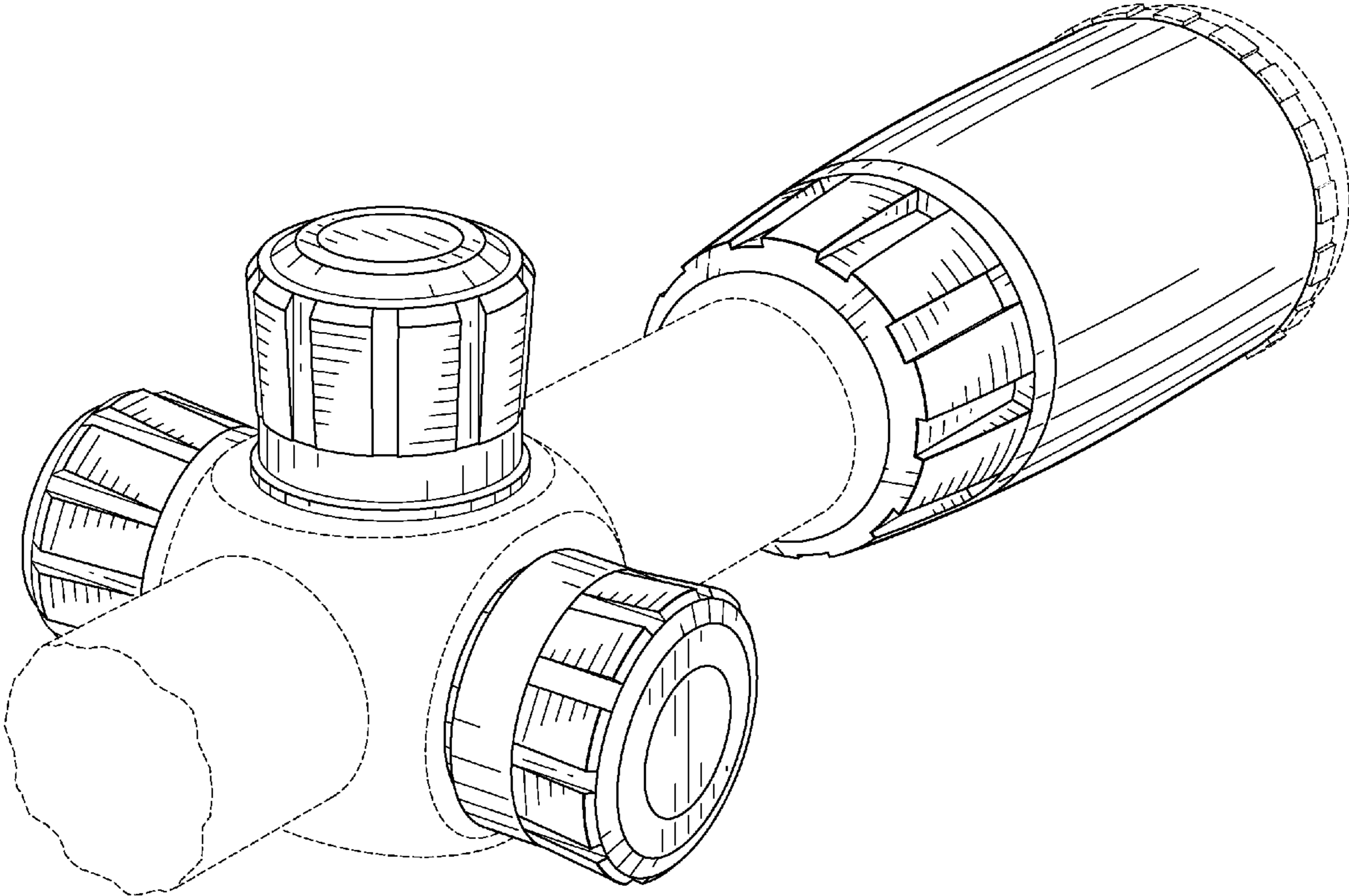
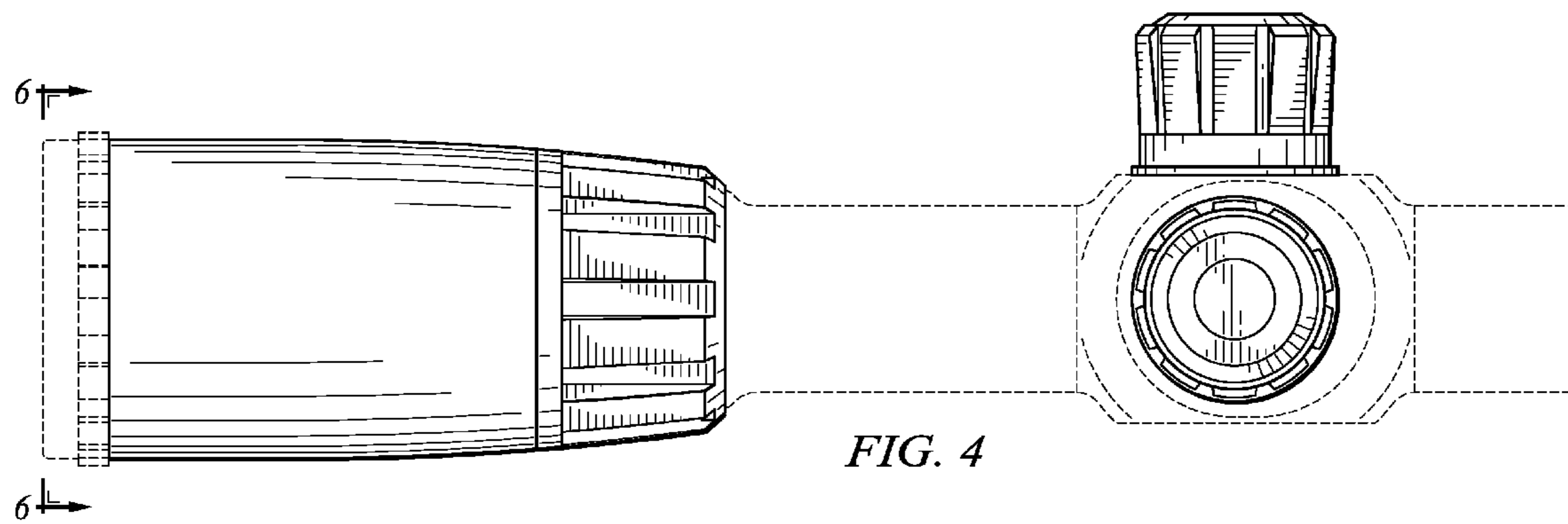
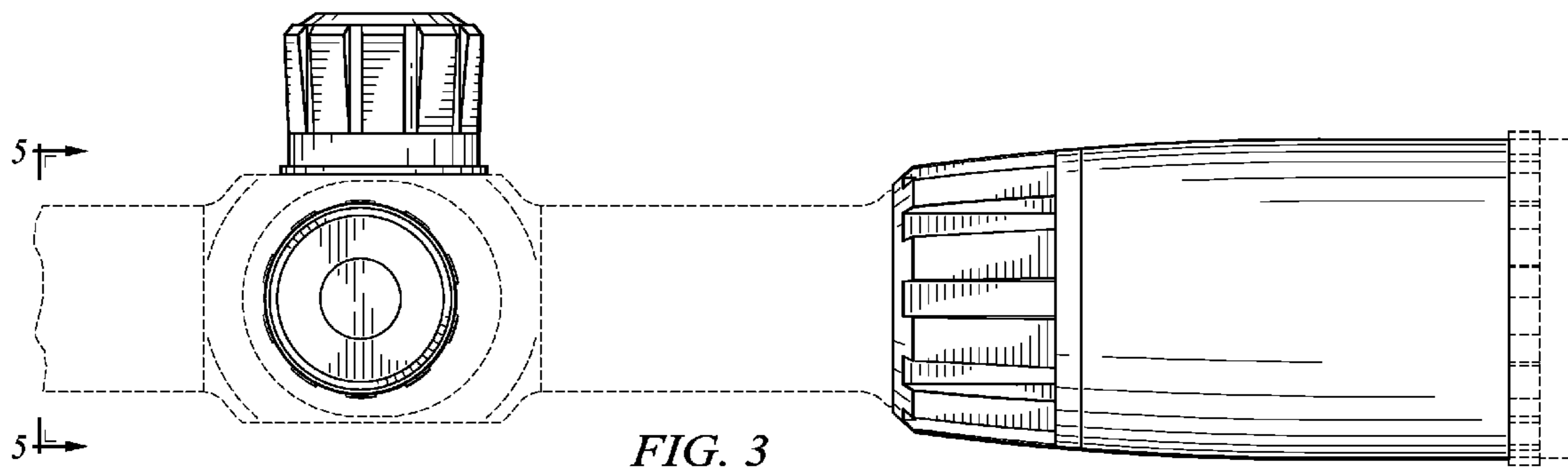


FIG. 2



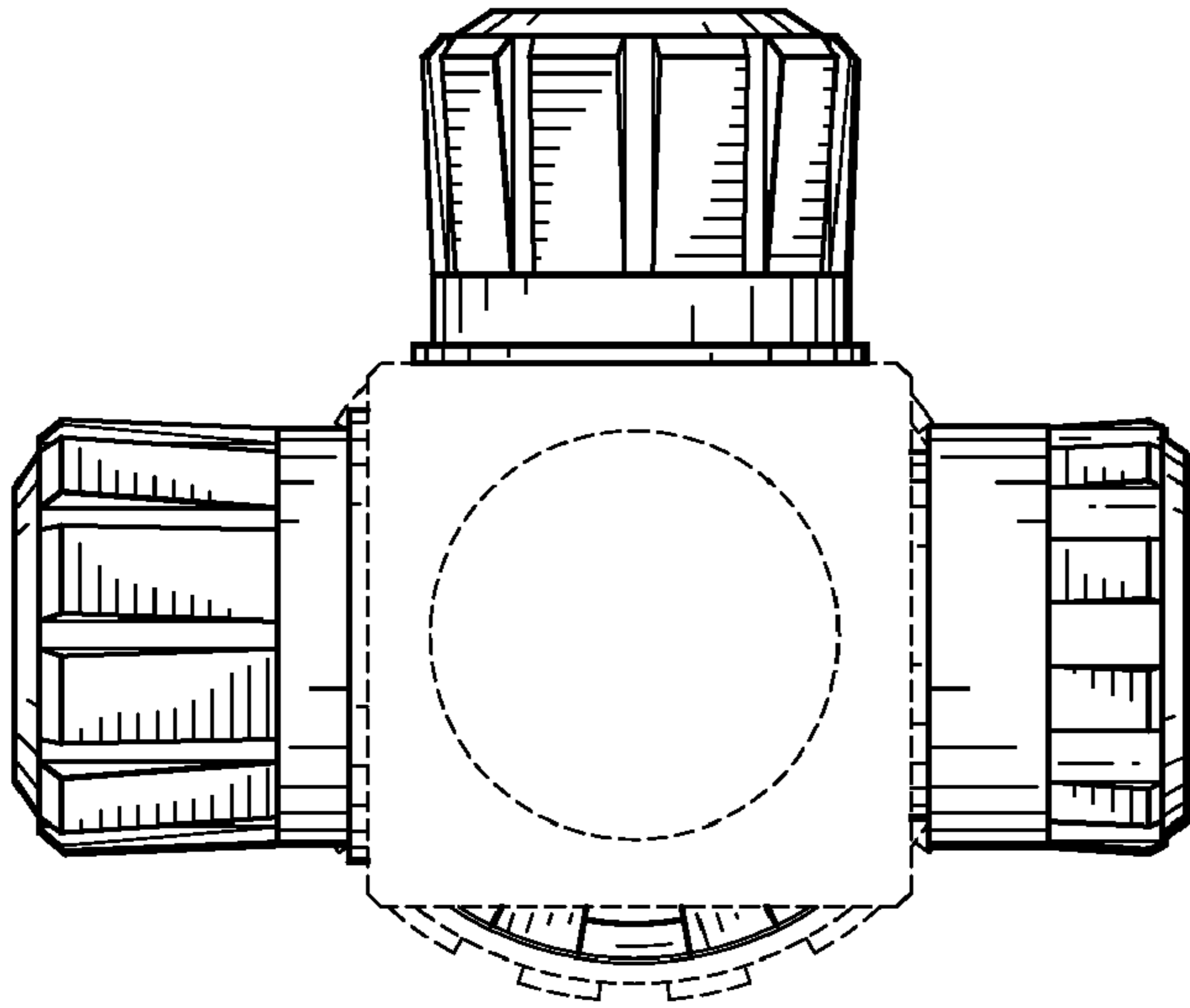


FIG. 5

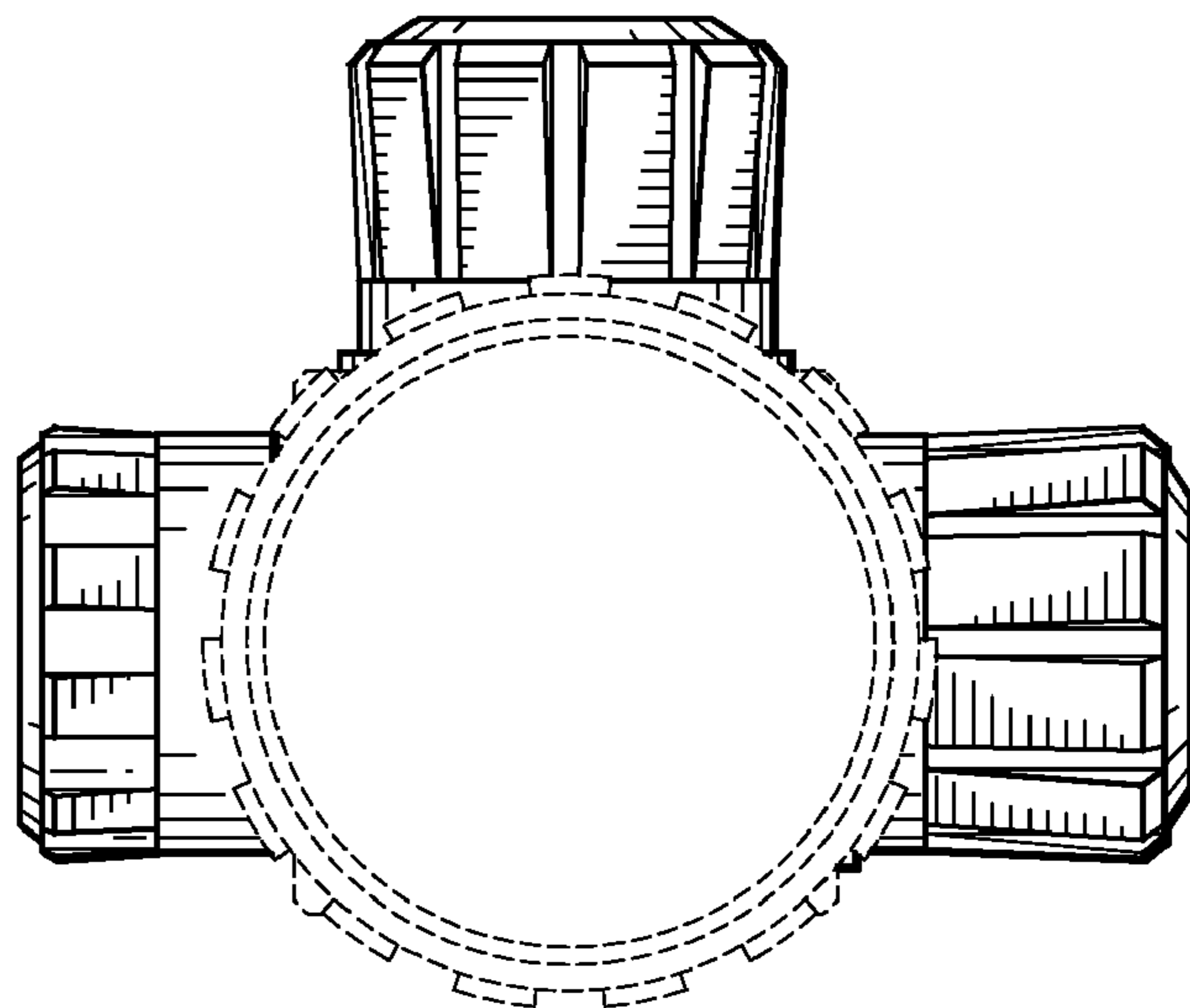


FIG. 6

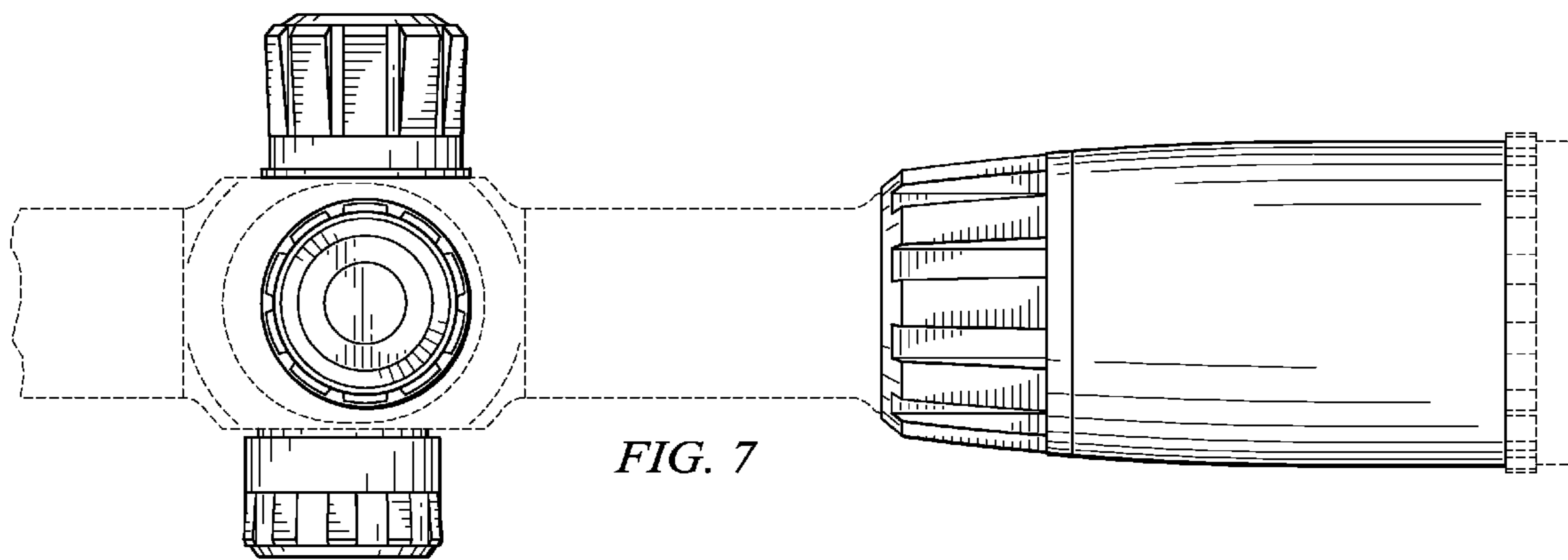


FIG. 7

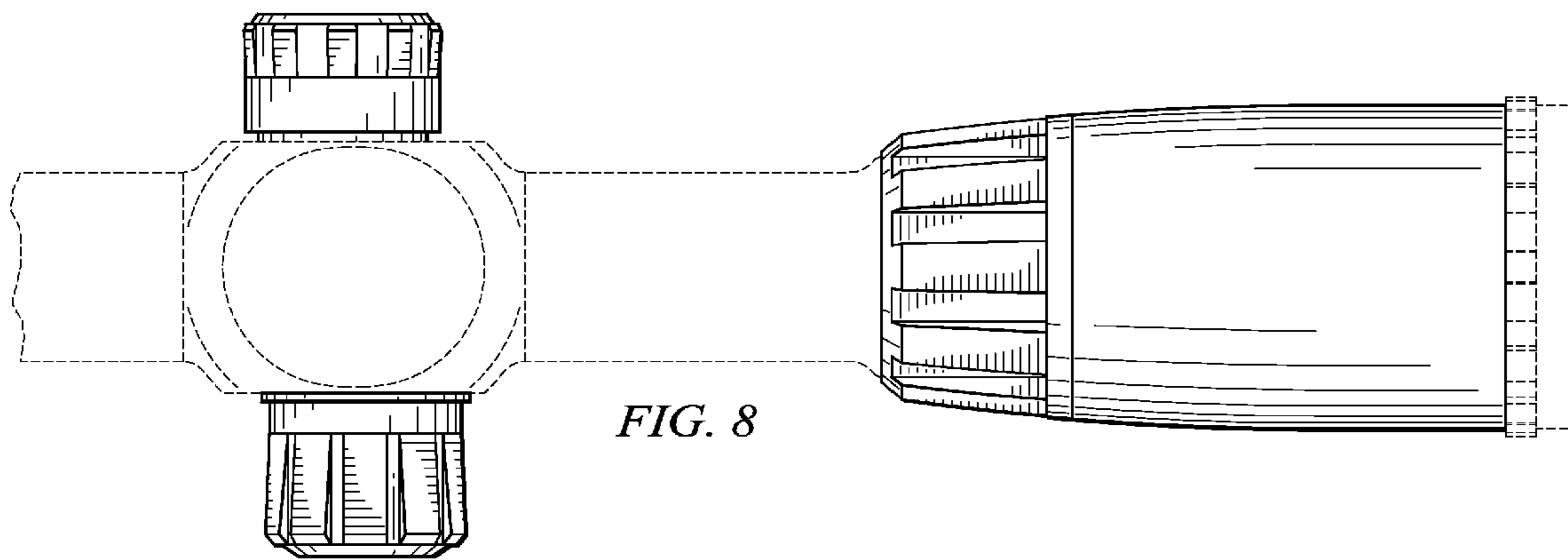


FIG. 8