



US00D619190S

(12) **United States Design Patent**
Larsson

(10) **Patent No.:** **US D619,190 S**
(45) **Date of Patent:** **** Jul. 6, 2010**

(54) **SIGHT**

(57) **CLAIM**

(75) Inventor: **Niklas Larsson, Åkarp (SE)**

The ornamental design for a sight, as shown and described.

(73) Assignee: **GS Development AB, Malmö (SE)**

(**) Term: **14 Years**

DESCRIPTION

(21) Appl. No.: **29/325,610**

(22) Filed: **Oct. 3, 2008**

(30) **Foreign Application Priority Data**

Apr. 4, 2008 (EM) 000909528-0001
Apr. 4, 2008 (EM) 000909528-0002

FIG. 1 is a perspective top view of my new sight;
FIG. 2 is a top plan view of my new sight of FIG. 1;
FIG. 3 is a bottom plan view of my new sight of FIG. 1;
FIG. 4 is a side elevational view of my new sight from the right side of that of FIG. 3;
FIG. 5 is an end view of my new sight of FIG. 1;
FIG. 6 is a side elevational view of my sight from the side opposite that of FIG. 4; and
FIG. 7 is an end view of my sight from the end opposite that of FIG. 5.

(51) **LOC (9) Cl.** **22-01**

(52) **U.S. Cl.** **D22/108**

(58) **Field of Classification Search** D22/108-110,
D22/199; D16/132, 130, 133, 330, 134;
359/399, 823, 744; 42/111, 133, 119, 122
See application file for complete search history.

FIG. 8 is a perspective view of an alternate embodiment of my new sight of FIG. 1;
FIG. 9 is a top plan view of my new sight of FIG. 8;
FIG. 10 is a bottom plan view of my new sight of FIG. 8;
FIG. 11 is side elevational view of my new sight from the right side of that of FIG. 10;
FIG. 12 is an end view of my new sight of FIG. 8;
FIG. 13 is a side elevational view of my new sight from the side opposite that of FIG. 11; and,
FIG. 14 is an end view of my new sight from the end opposite that of FIG. 12.

(56) **References Cited**

U.S. PATENT DOCUMENTS

872,120 A * 11/1907 Gray 359/399
D195,999 S * 8/1963 Bach D16/220
D202,526 S * 10/1965 Maguire D16/132
D287,136 S * 12/1986 Murray, Jr. D16/132
4,742,636 A * 5/1988 Swan 42/126
D297,242 S * 8/1988 Yamanaka D16/132
D479,255 S * 9/2003 Hamamura D16/132
6,629,381 B1 * 10/2003 Keng 42/124
D490,097 S * 5/2004 Regan et al. D16/132

(Continued)

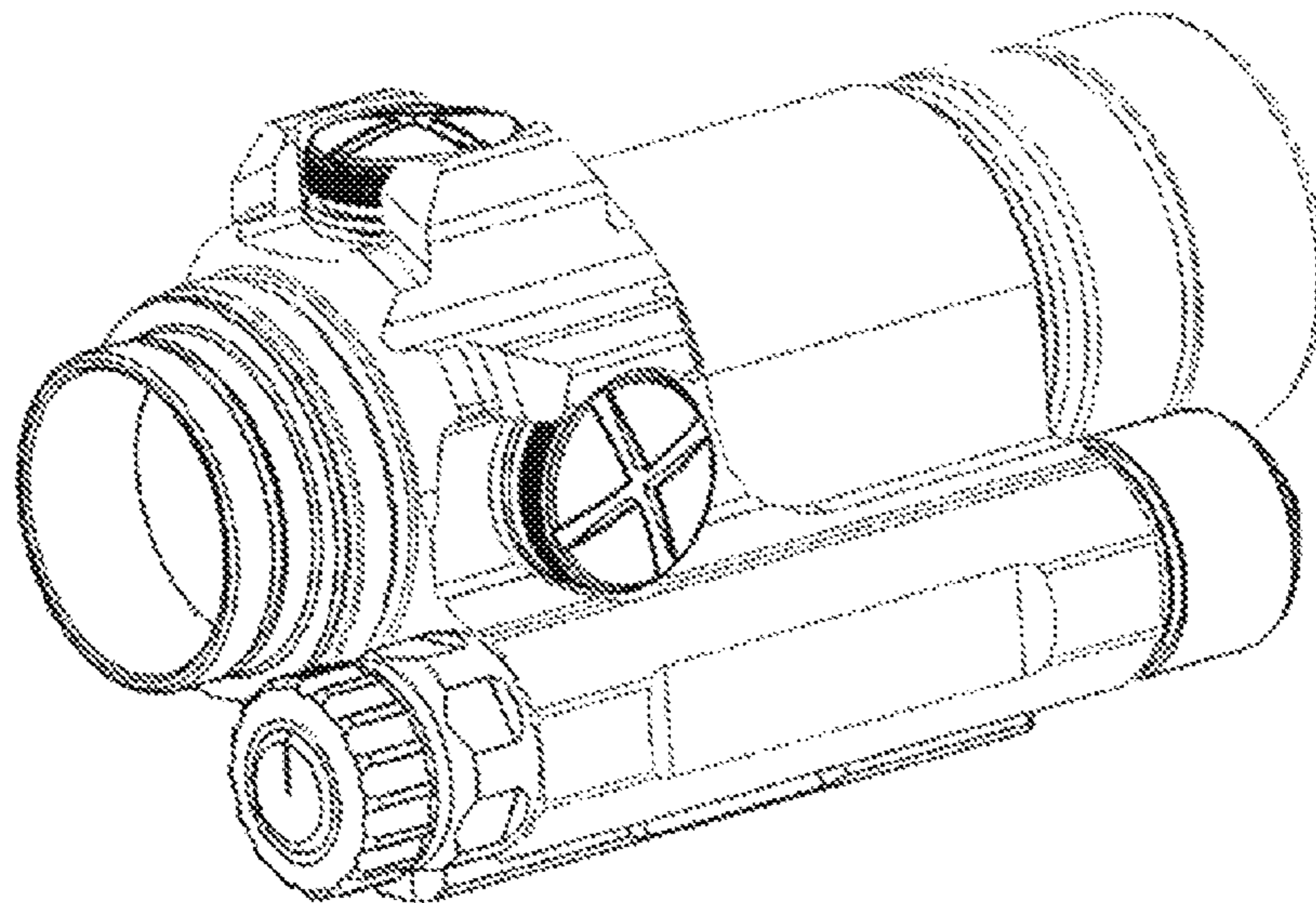
Primary Examiner—T. Chase Nelson

Assistant Examiner—Michael A Pratt

(74) *Attorney, Agent, or Firm*—Thomas, Kayden,
Horstemeyer & Risley, LLP; Todd Deveau

The broken line showing of the circular feature illustrated in FIGS. 7 and 14 is for the purpose of illustrating environmental structure and forms no part of the claimed design.

1 Claim, 14 Drawing Sheets



US D619,190 S

Page 2

U.S. PATENT DOCUMENTS

6,922,934 B1 *	8/2005	Huan	42/127	D550,263 S *	9/2007	Zhou	D16/132
D513,274 S *	12/2005	Chen	D16/132	D586,875 S *	2/2009	Swan	D22/109
D532,803 S *	11/2006	Regan et al.	D16/132	D587,290 S *	2/2009	Meinzer	D16/132
D548,811 S *	8/2007	Swan	D22/109	2007/0234623 A1 *	10/2007	Carney	42/95

* cited by examiner

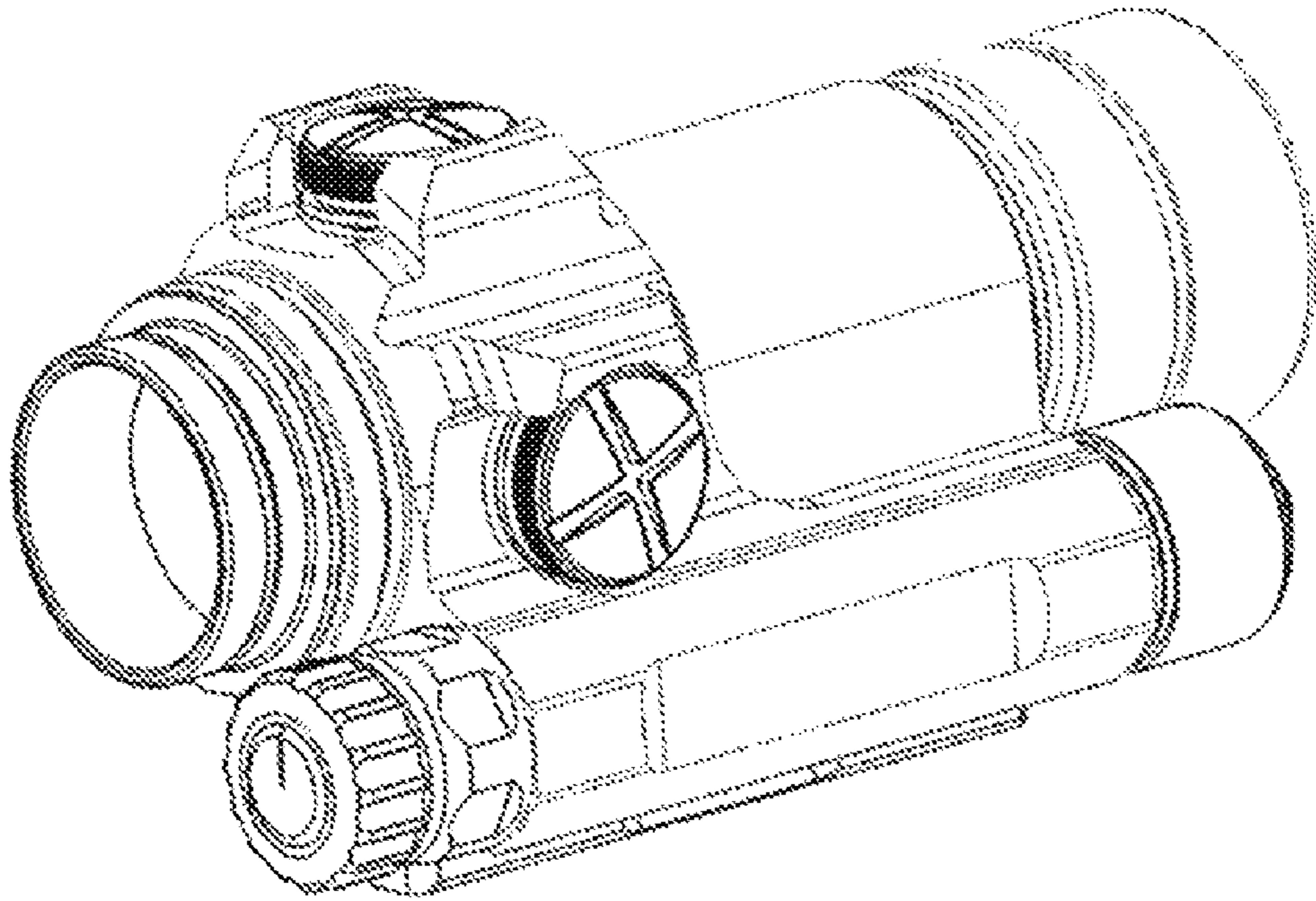


FIG. 1

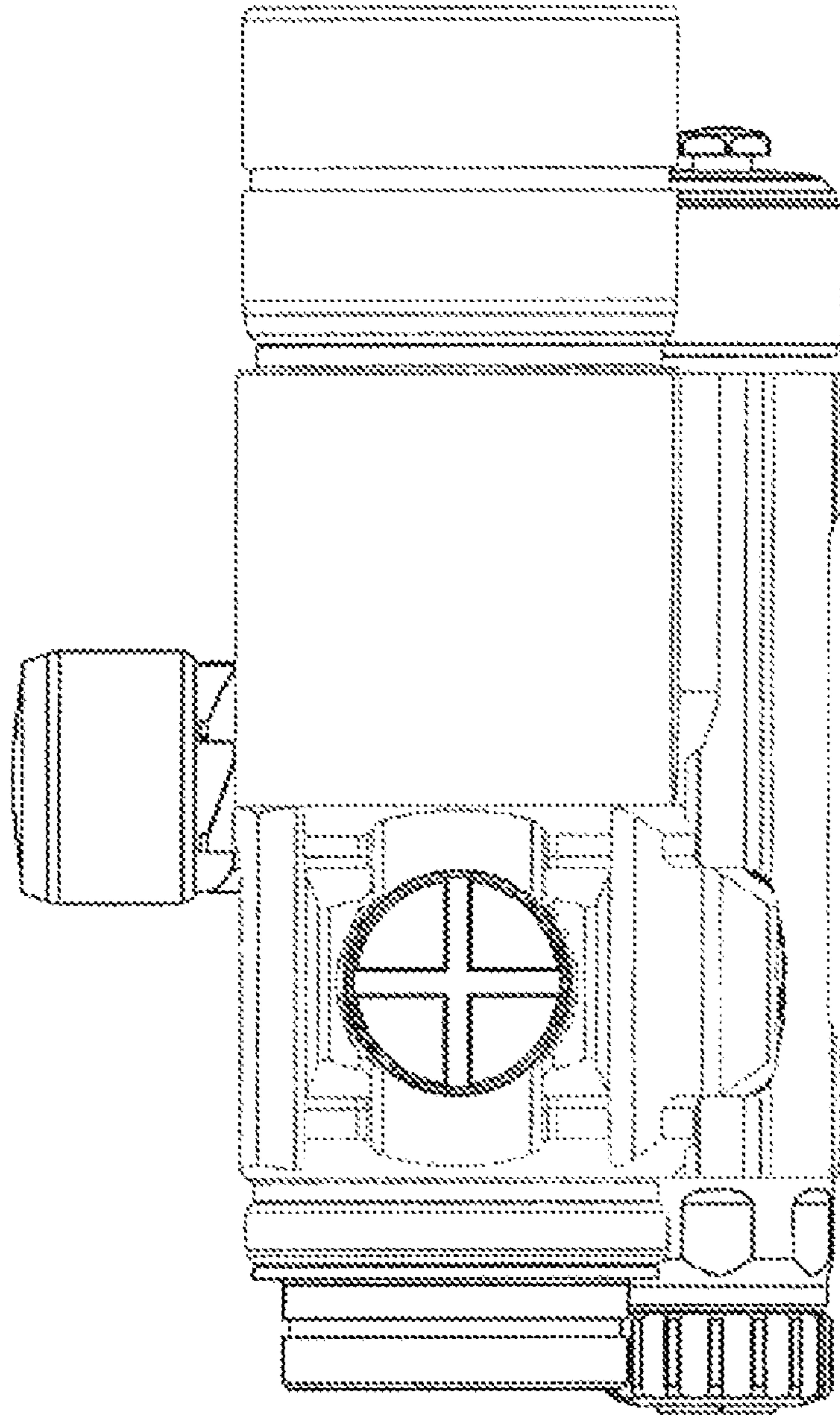


FIG. 2

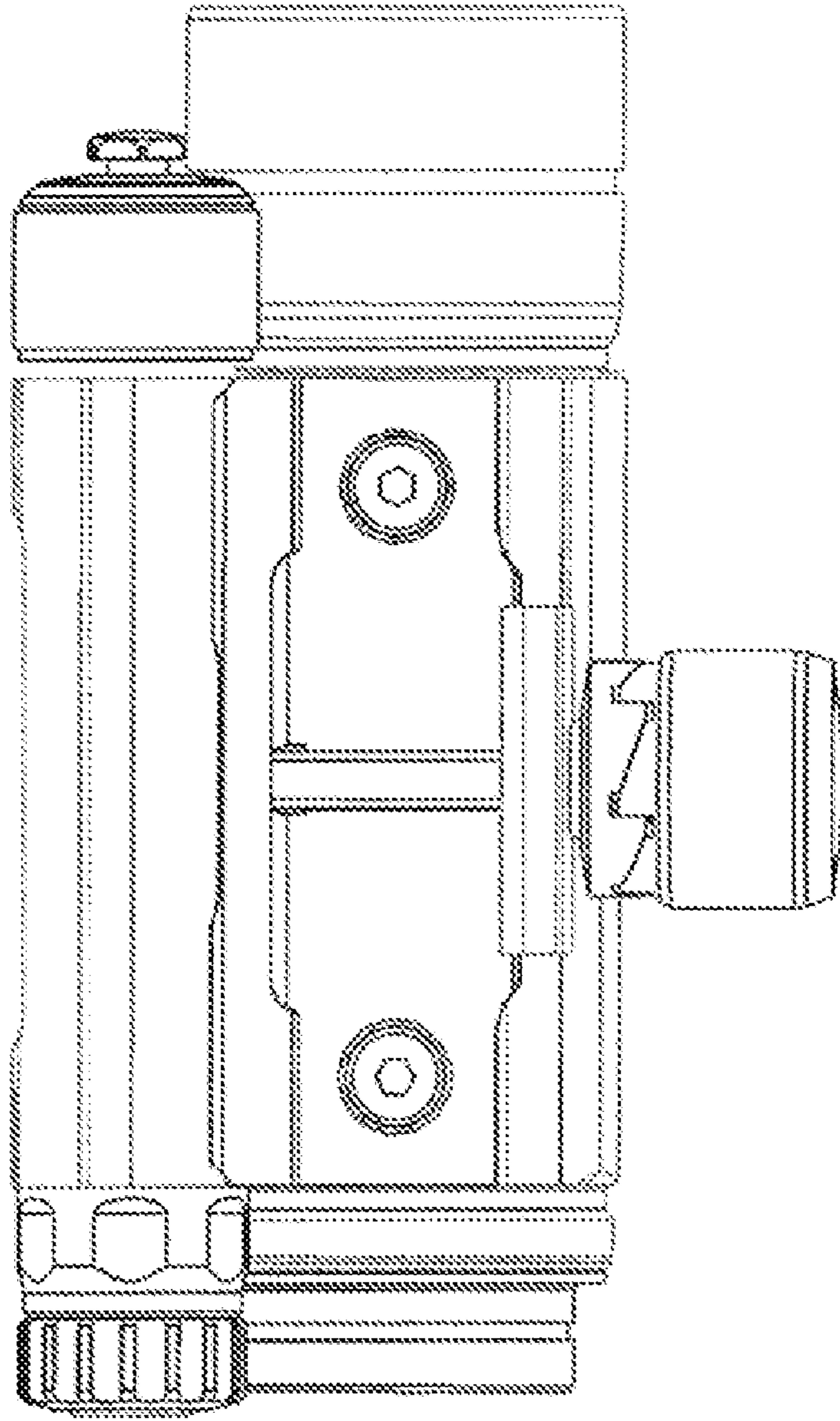


FIG. 3

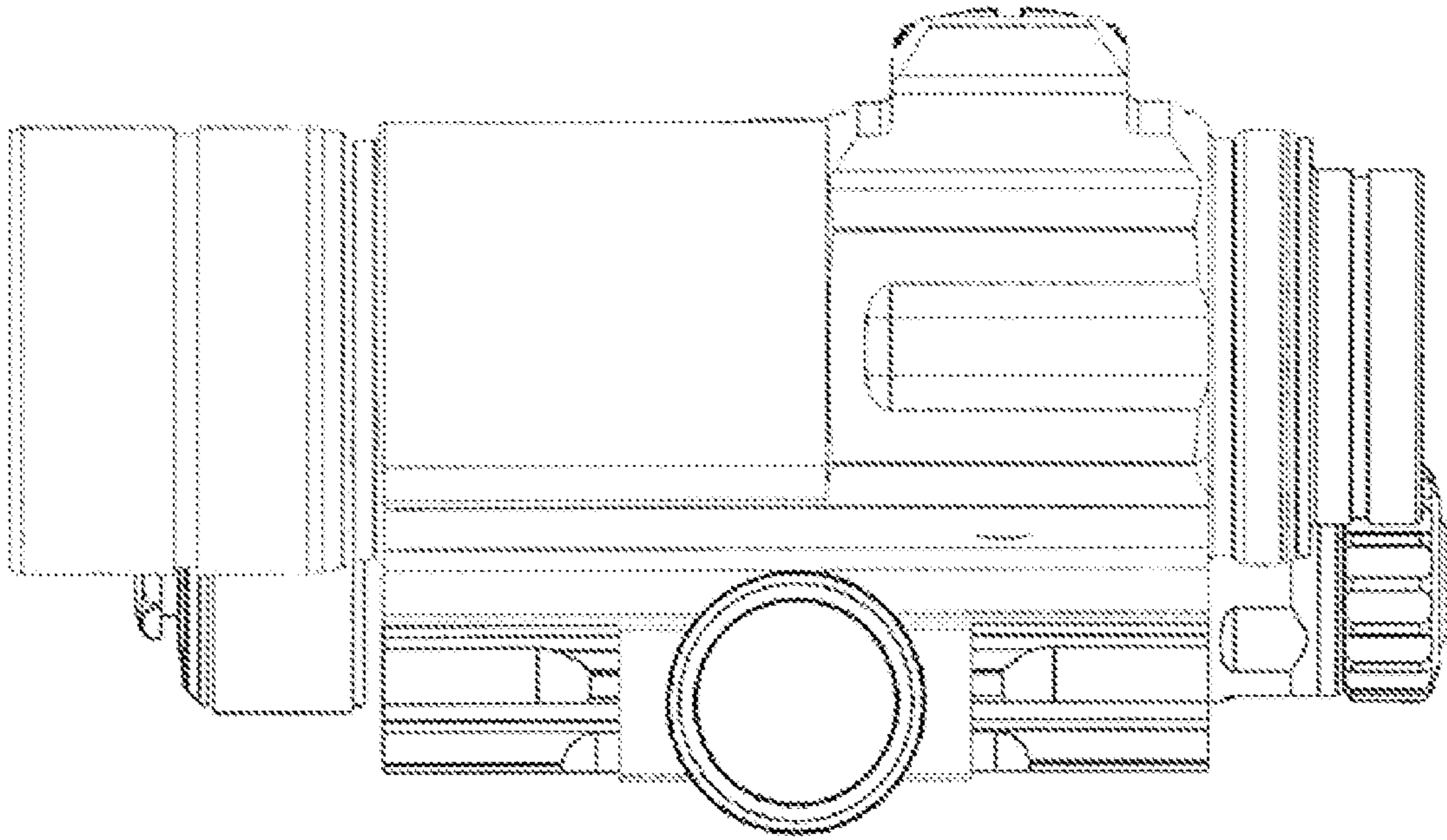


FIG. 4

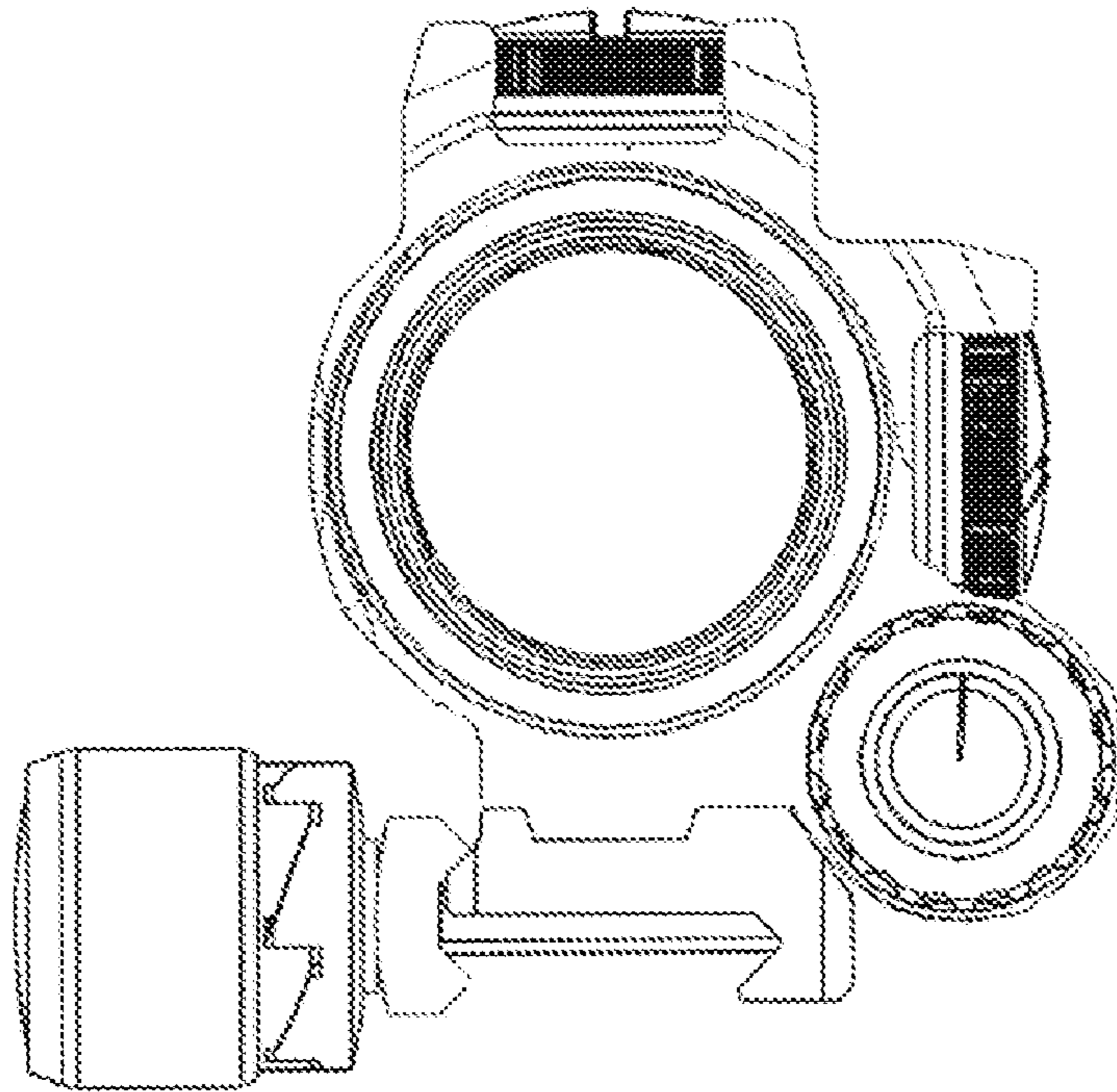


FIG. 5

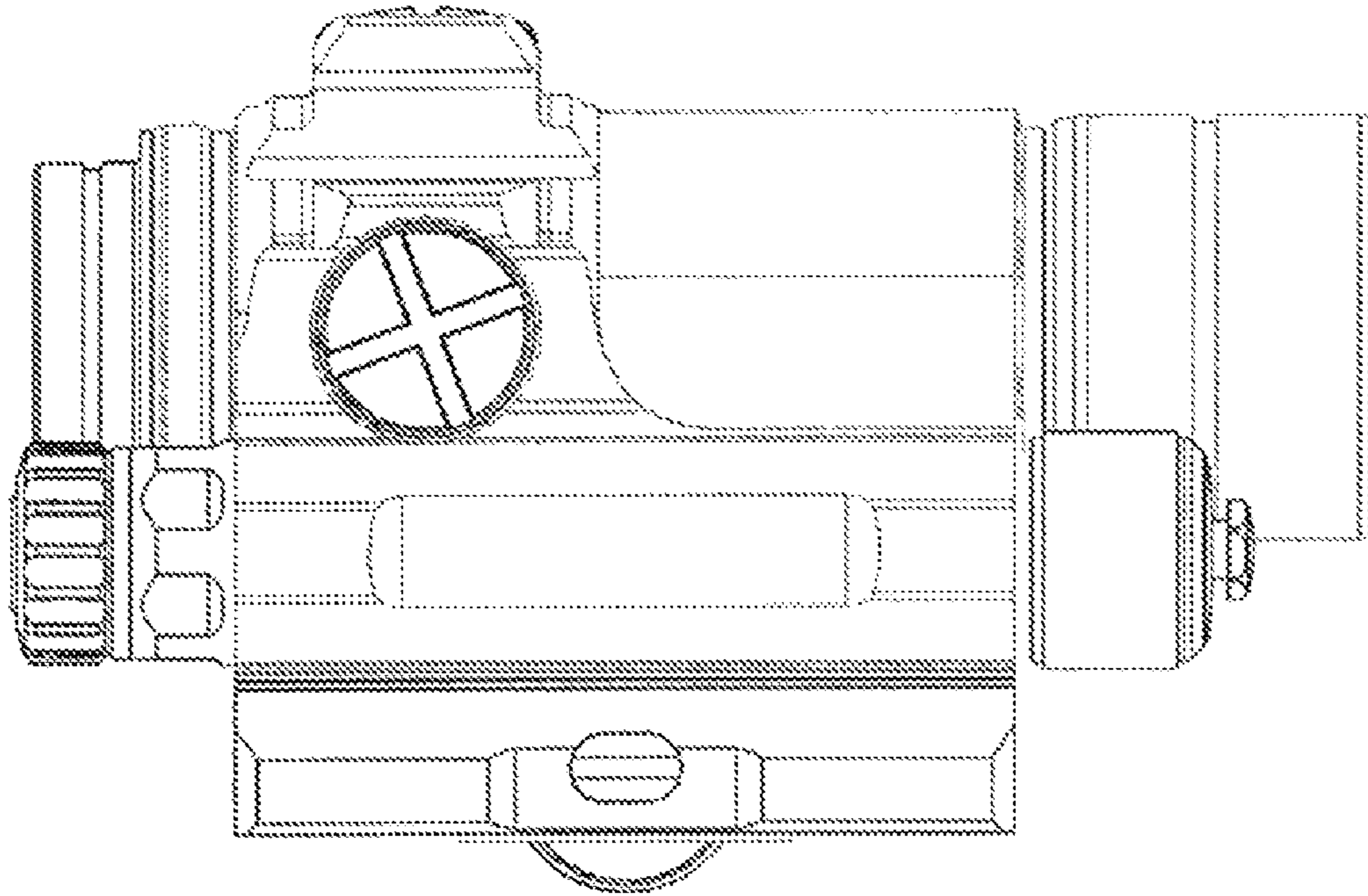


FIG. 6

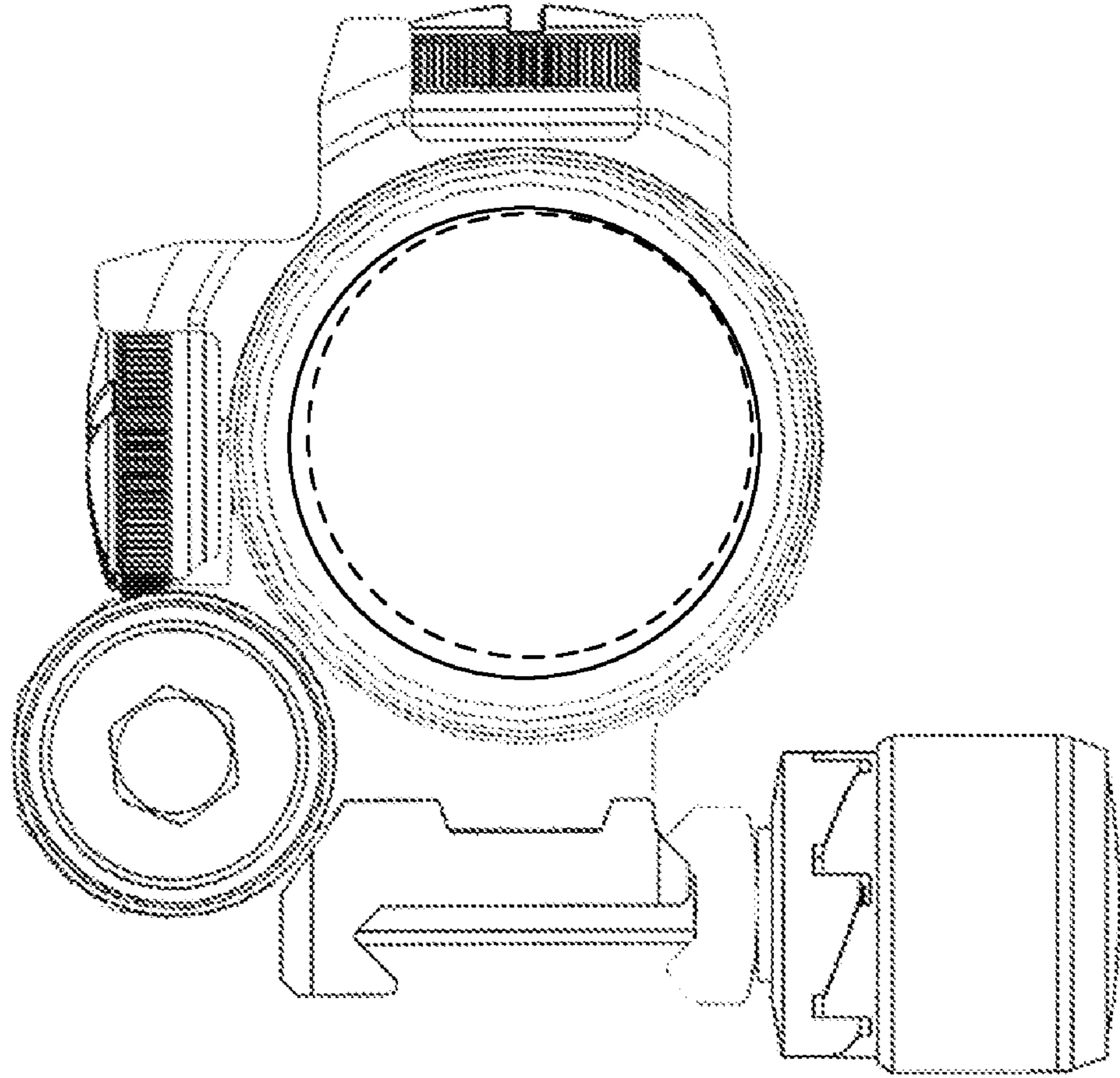


FIG. 7

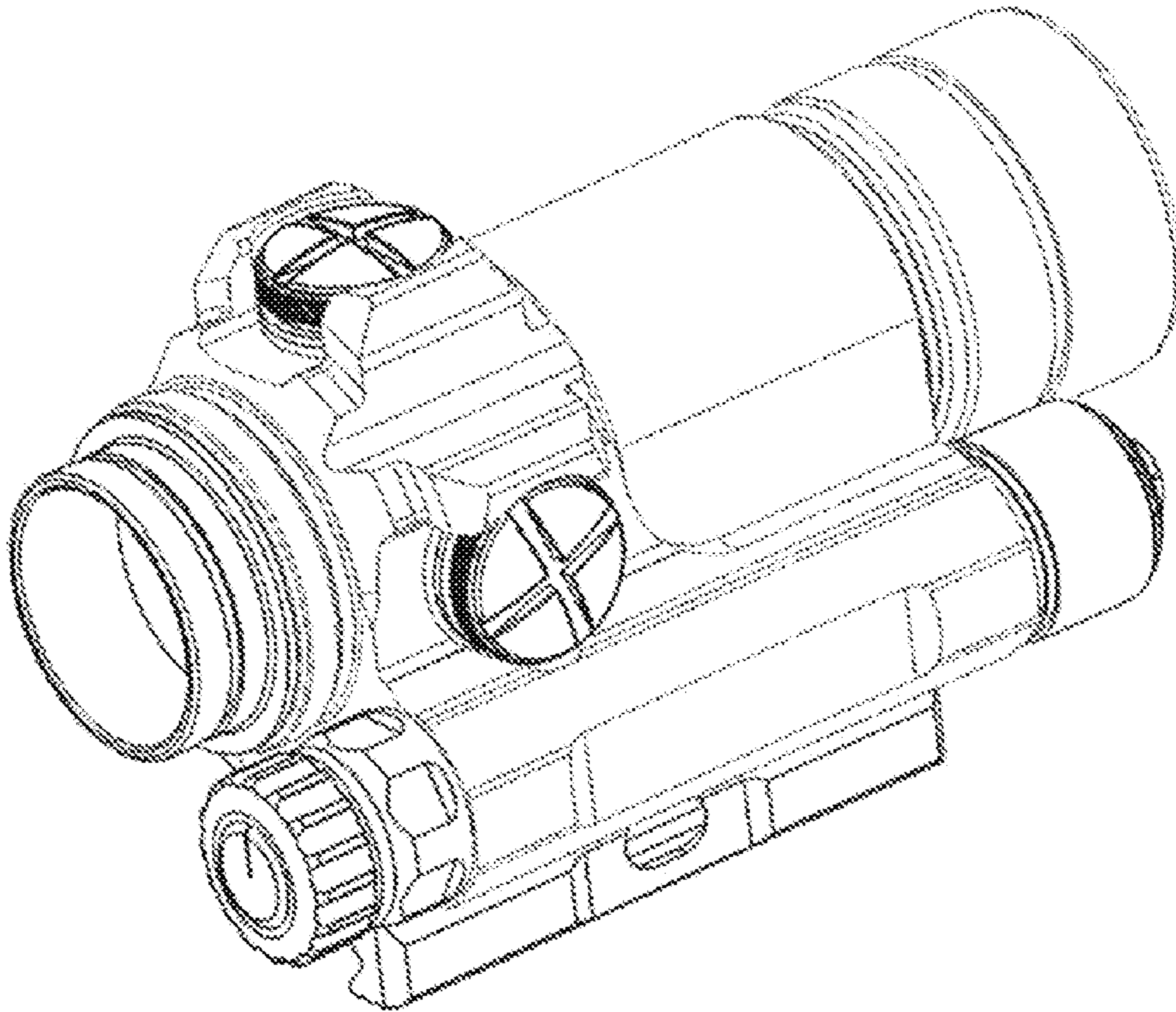


FIG. 8

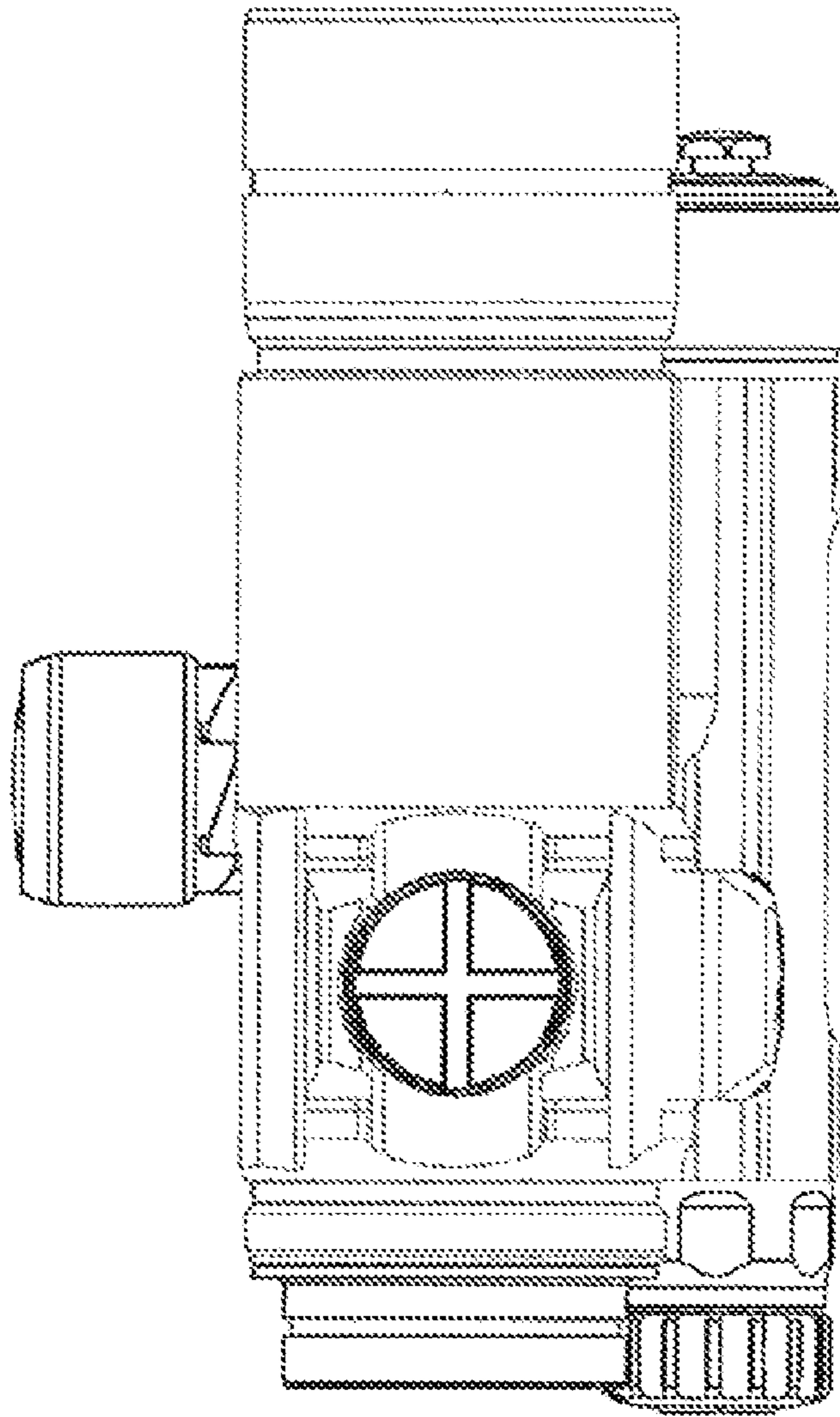


FIG. 9

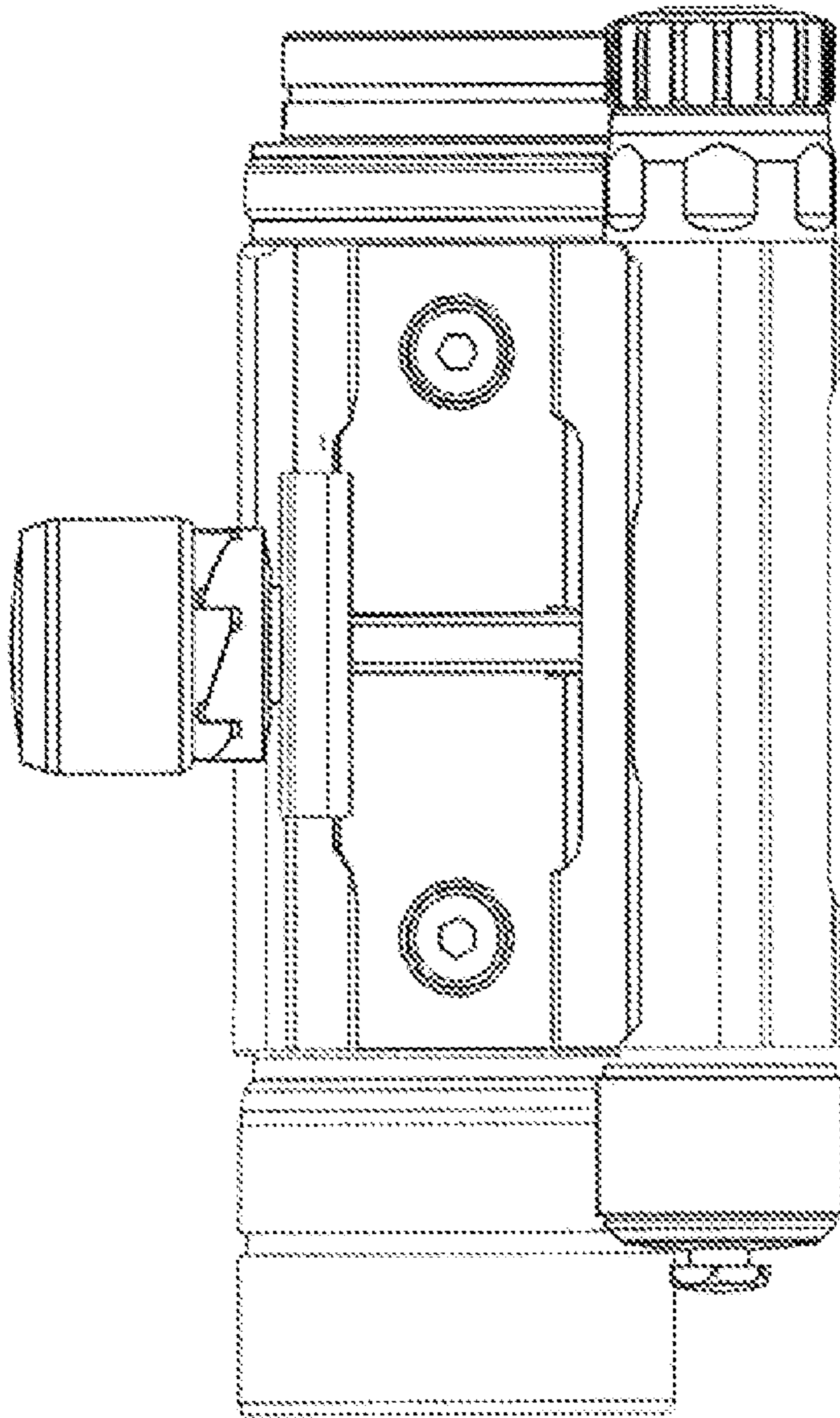


FIG. 10

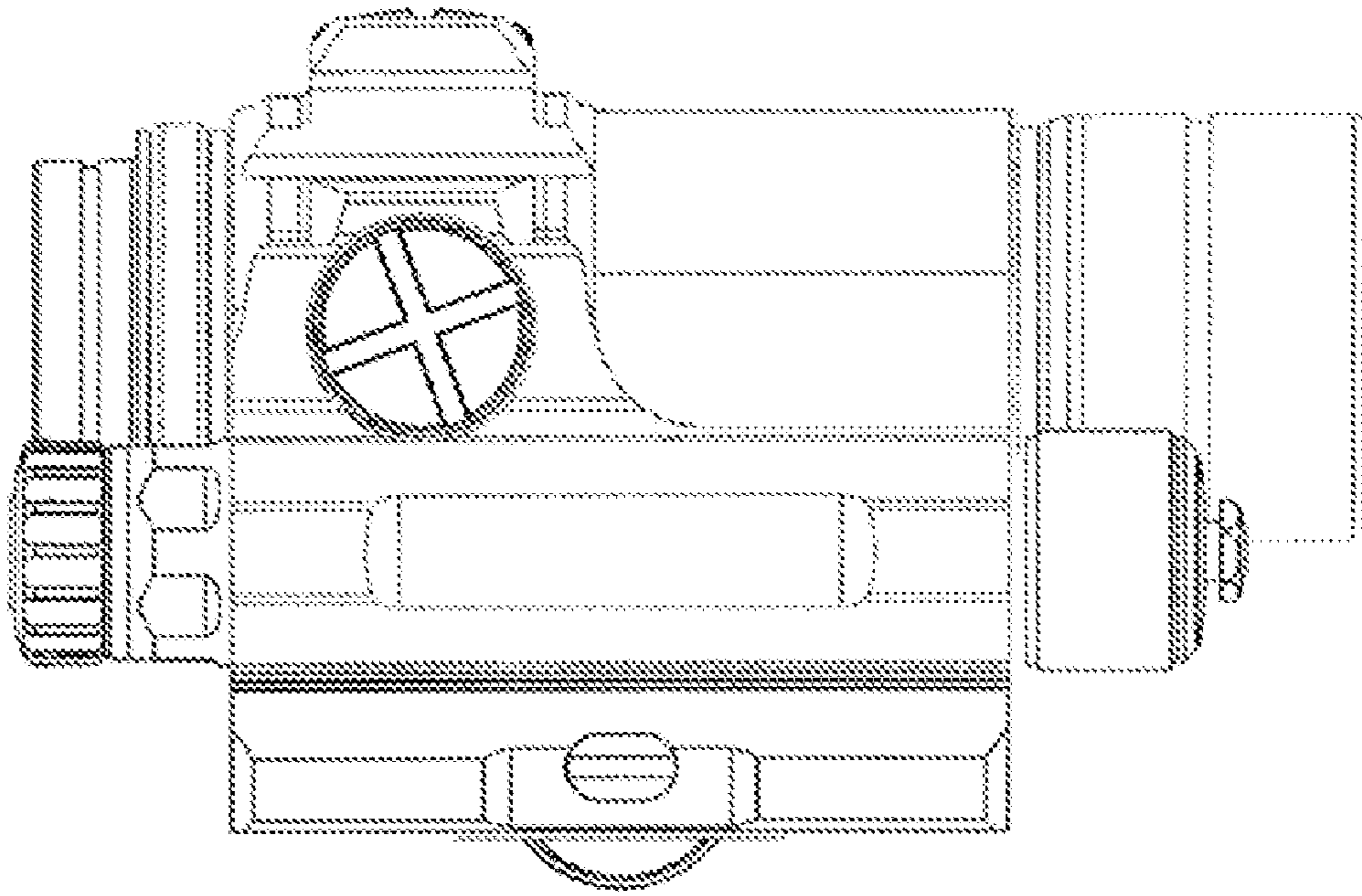


FIG. 11

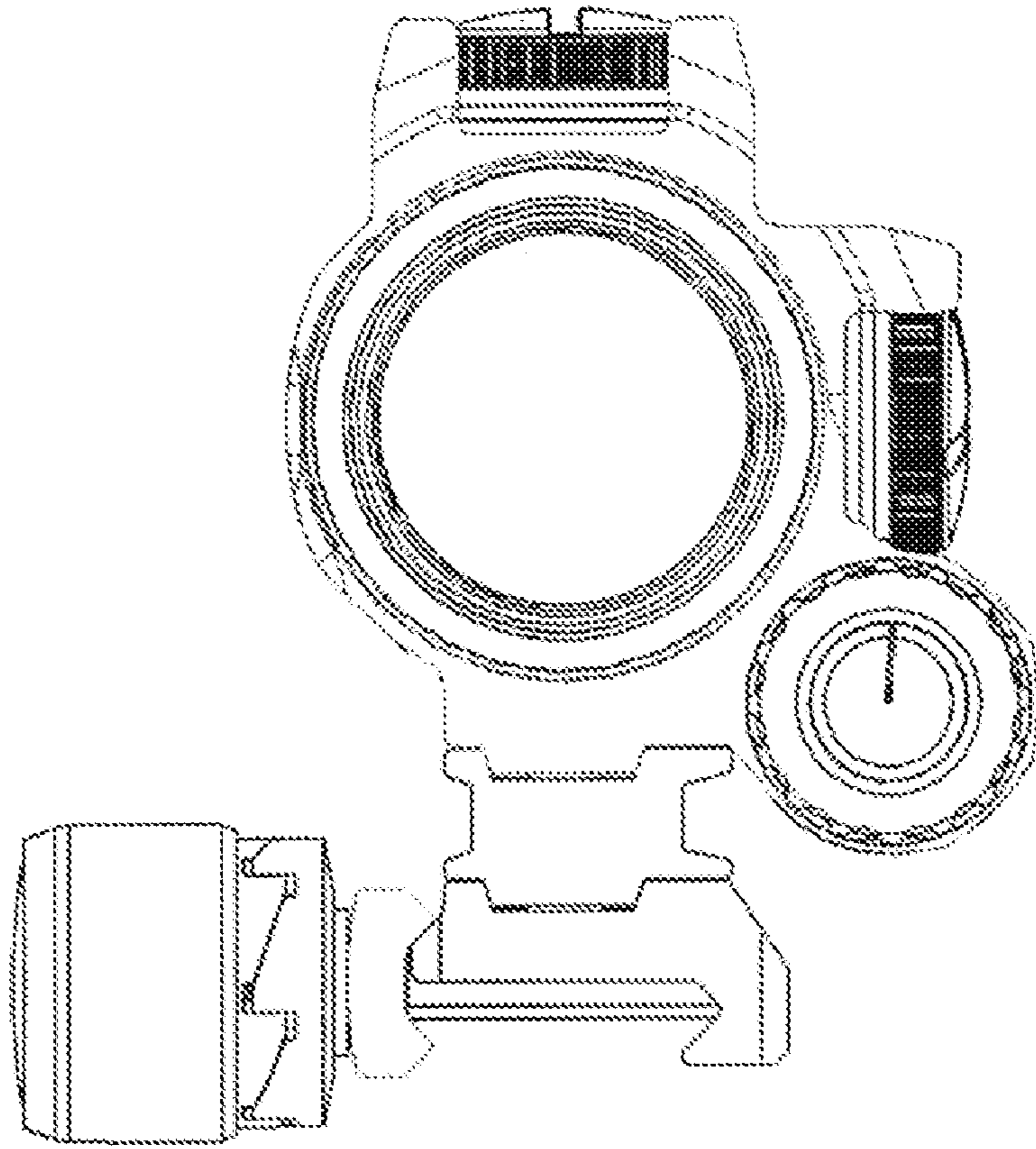


FIG. 12

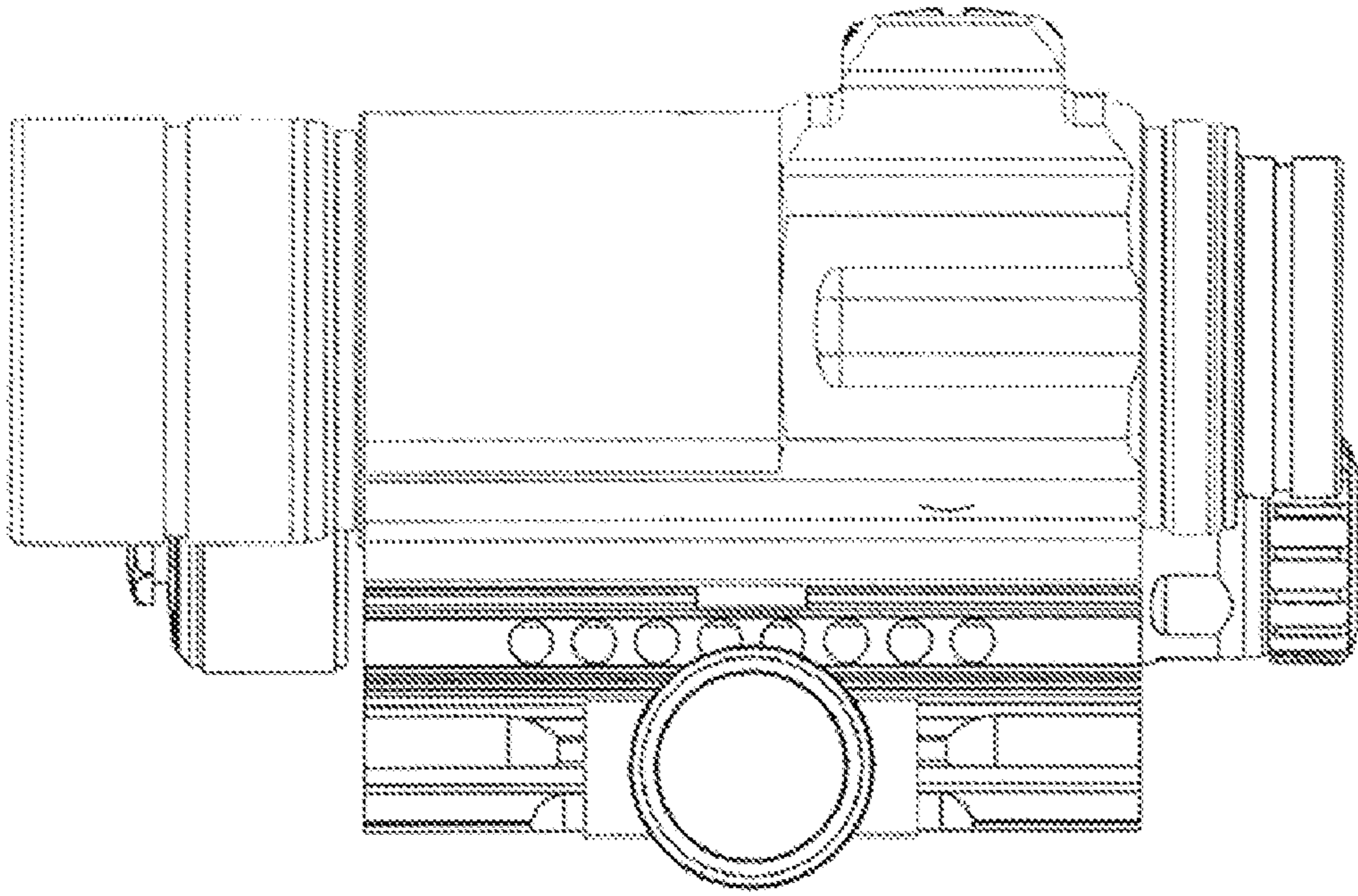


FIG. 13

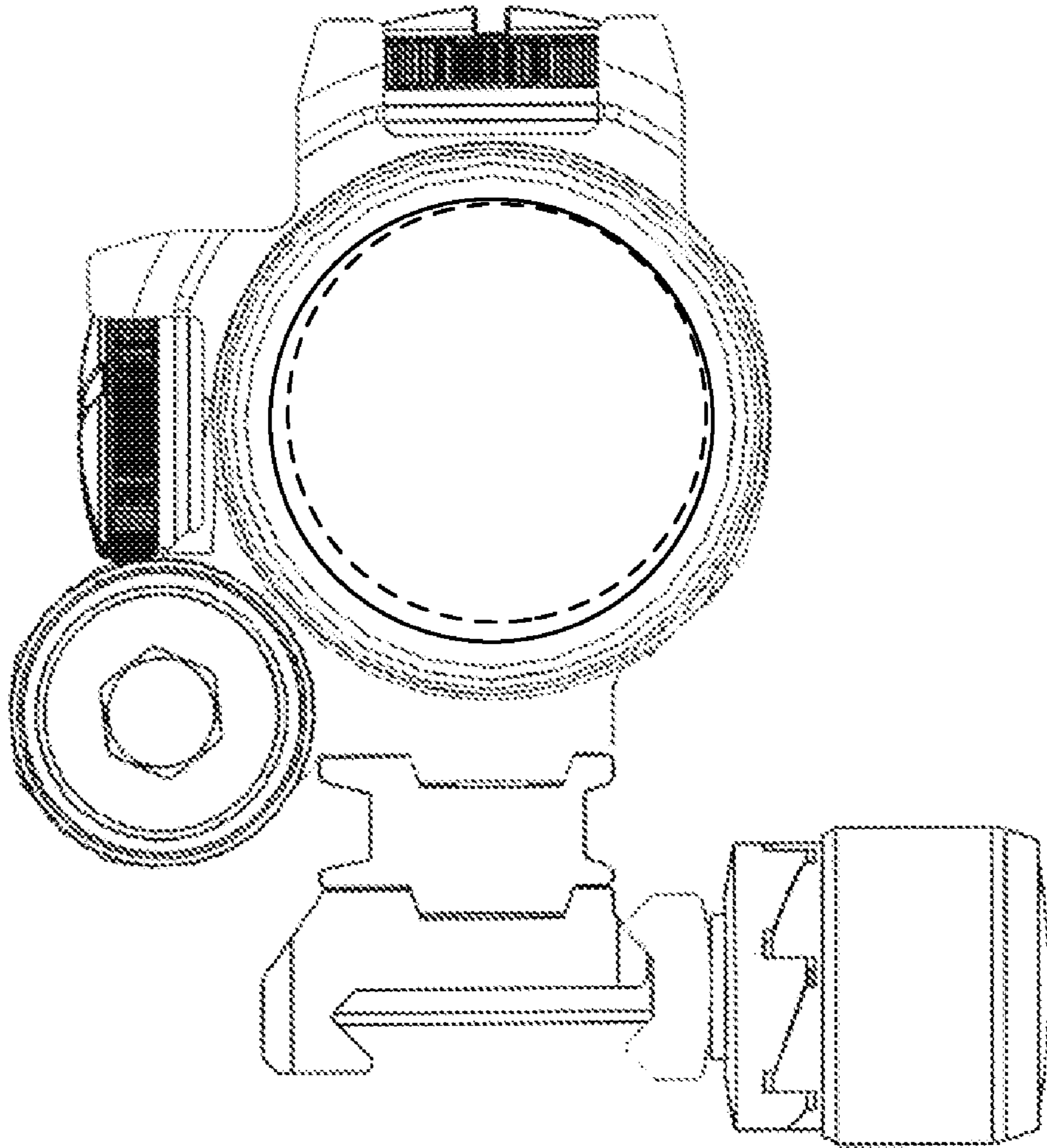


FIG. 14