



US00D619188S

(12) **United States Design Patent**  
**Omley et al.**

(10) **Patent No.:** **US D619,188 S**

(45) **Date of Patent:** **\*\* Jul. 6, 2010**

(54) **ARCHERY INCLINOMETER**

7,461,460 B2 12/2008 Priebe  
2002/0184772 A1 12/2002 Rudolph et al.

(76) Inventors: **David Omley**, 150 Corporate Way,  
Grants Pass, OR (US) 97526; **Douglas**  
**Rich**, 150 Corporate Way, Grants Pass,  
OR (US) 97526

\* cited by examiner

*Primary Examiner*—T. Chase Nelson  
*Assistant Examiner*—Michael A Pratt  
(74) *Attorney, Agent, or Firm*—Gerald D Haynes

(\*\*) Term: **14 Years**

(21) Appl. No.: **29/314,561**

(57) **CLAIM**

(22) Filed: **Apr. 9, 2009**

The ornamental design for an archery inclinometer, as shown and described.

(51) **LOC (9) Cl.** ..... **22-01**

(52) **U.S. Cl.** ..... **D22/107**

(58) **Field of Classification Search** ..... D22/108–107;  
D10/69; 33/369, 377–396; 473/241, 242,  
473/341; D21/219

**DESCRIPTION**

See application file for complete search history.

FIG. 1 is a front perspective view of an archery inclinometer showing our new design;

FIG. 2 is a top view thereof;

FIG. 3 is a bottom view thereof;

FIG. 4 is a left side view thereof, the right side view being a mirror image thereof;

FIG. 5 is a front thereof;

FIG. 6 is a rear view thereof; and,

FIG. 7 is a perspective view showing the archery inclinometer in the environment in which it is to be used.

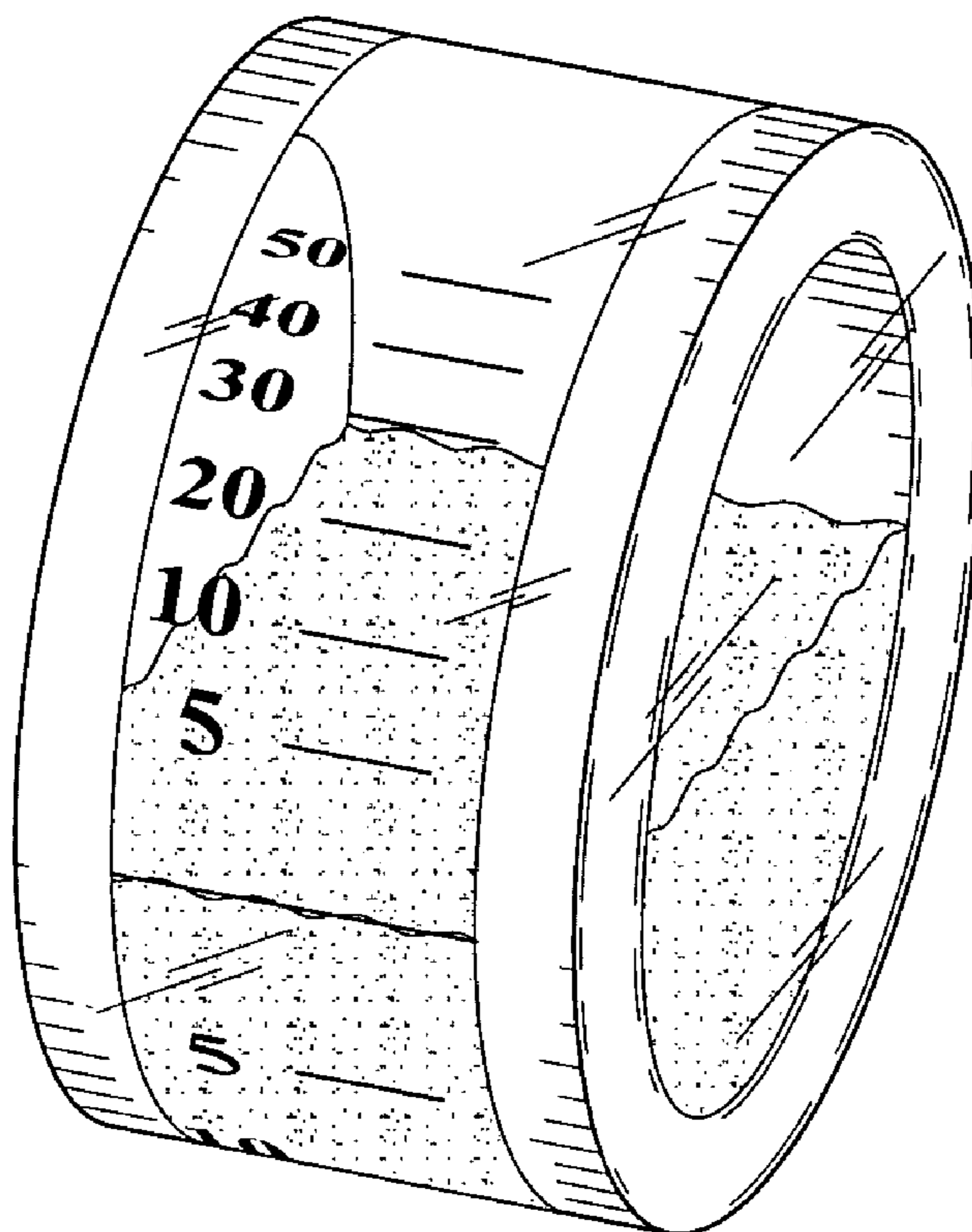
The broken line showing in FIG. 7 is included for the purpose of illustrating environment and forms no part of the claimed design.

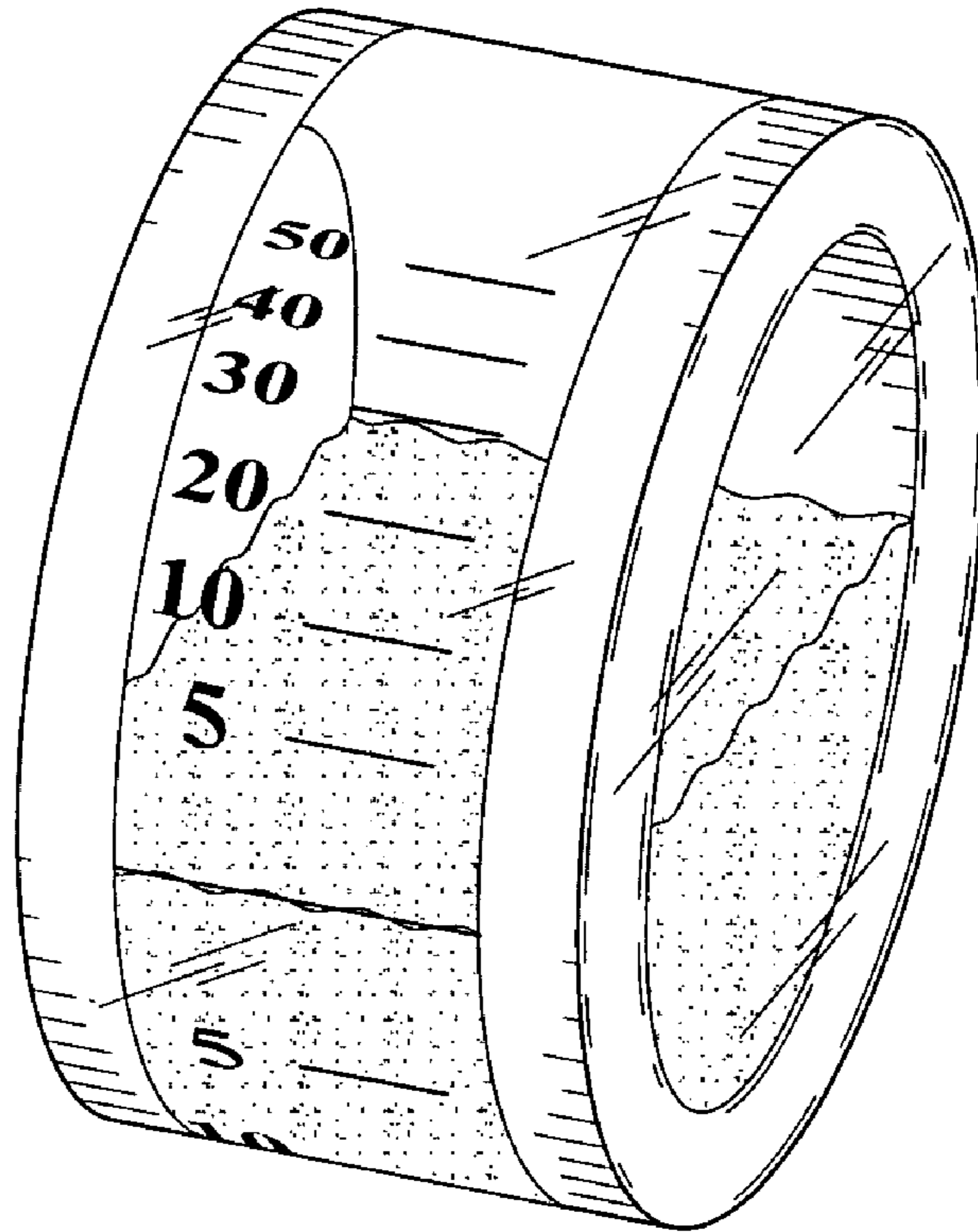
(56) **References Cited**

U.S. PATENT DOCUMENTS

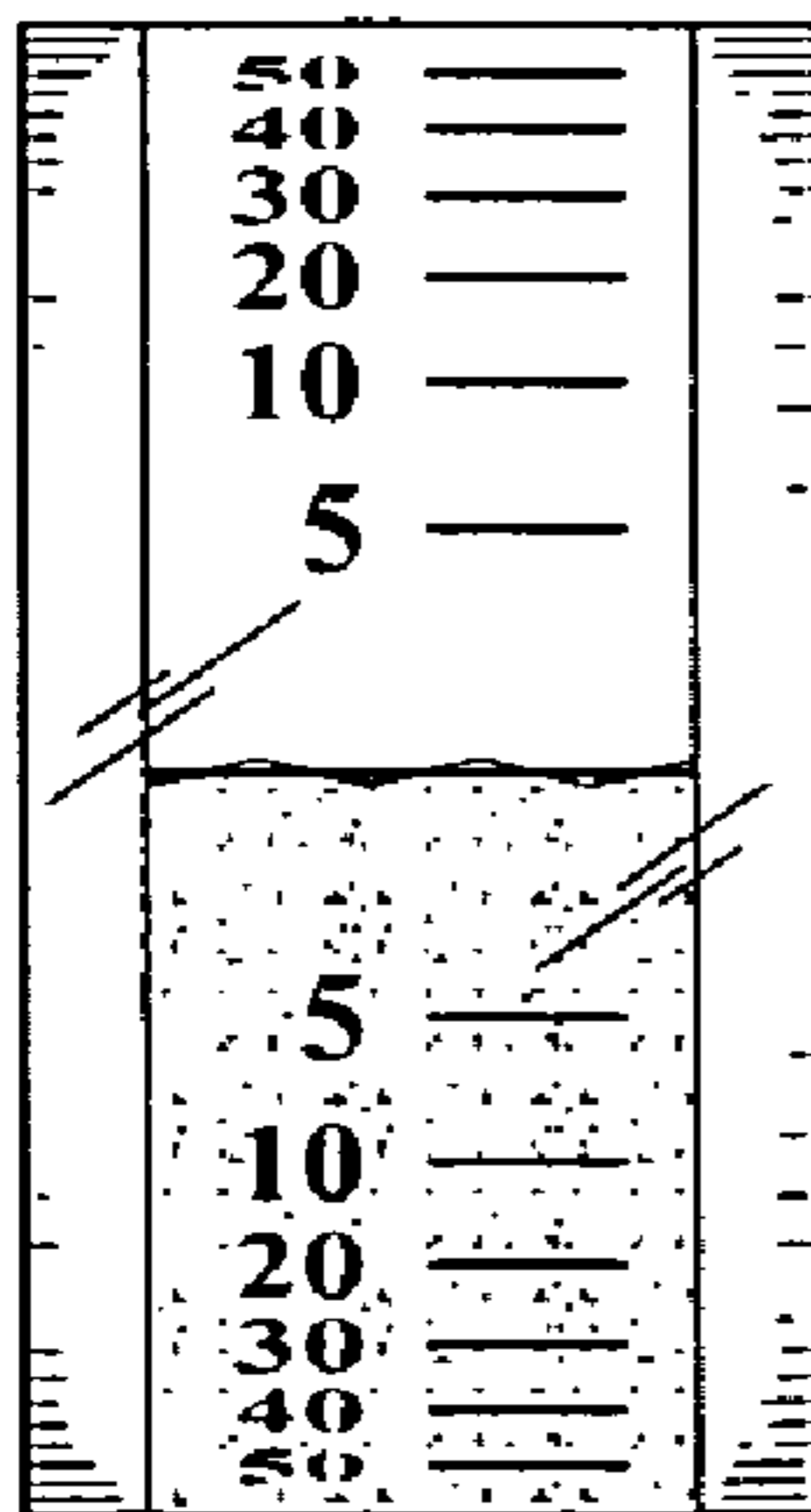
2,356,311	A *	8/1944	Geier	33/390
4,214,372	A *	7/1980	Rusbach	42/138
D260,417	S *	8/1981	Siekman	D22/107
4,616,422	A	10/1986	Gaddy	
4,720,919	A	1/1988	Saunders	
5,172,481	A *	12/1992	Wiseman et al.	33/366.12
5,630,279	A	5/1997	Slates	
D401,659	S *	11/1998	Roberson	D22/108
6,477,778	B1 *	11/2002	Lorocco	33/265
7,331,112	B2	2/2008	Gibbs	

**1 Claim, 3 Drawing Sheets**

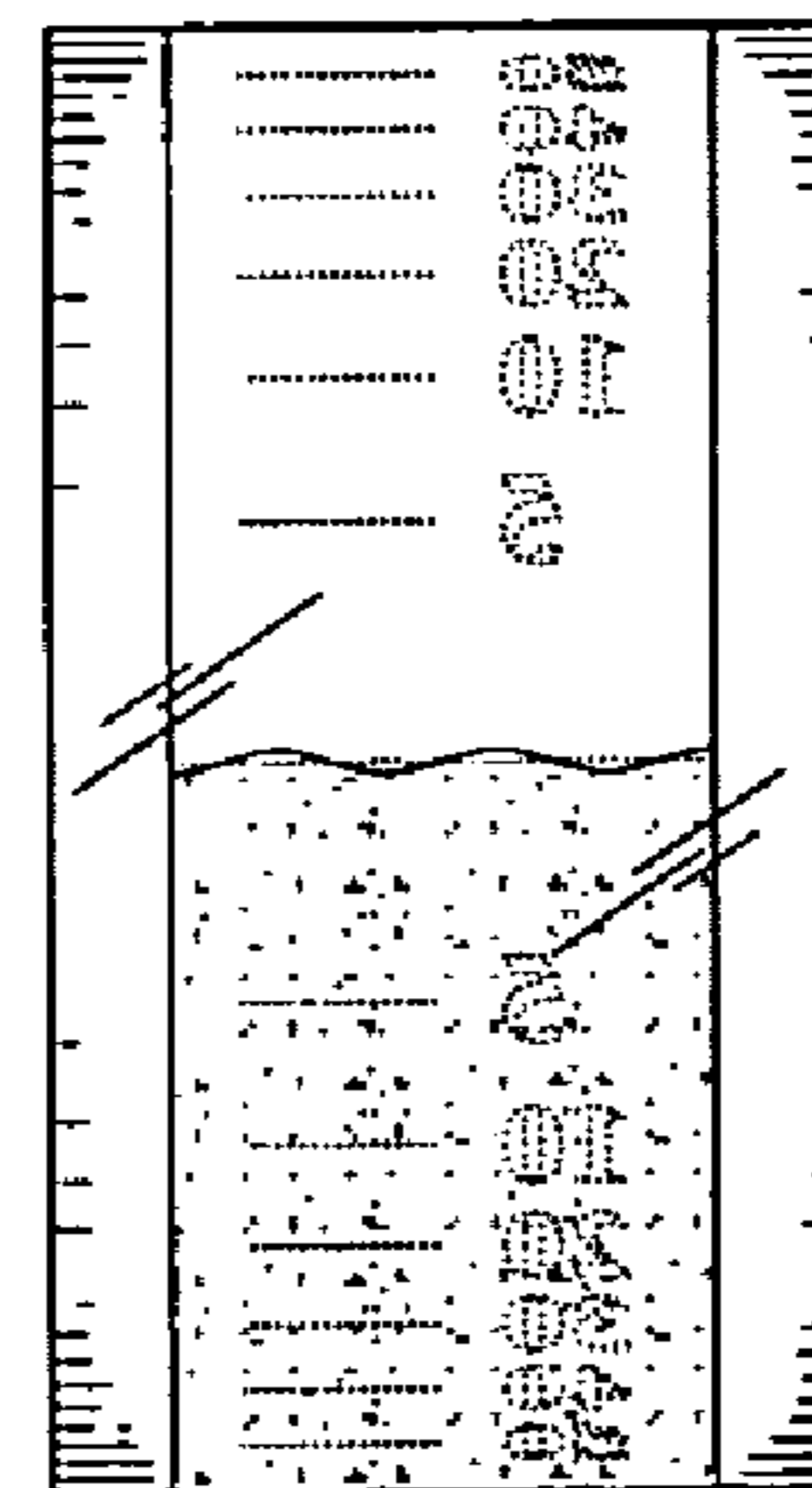




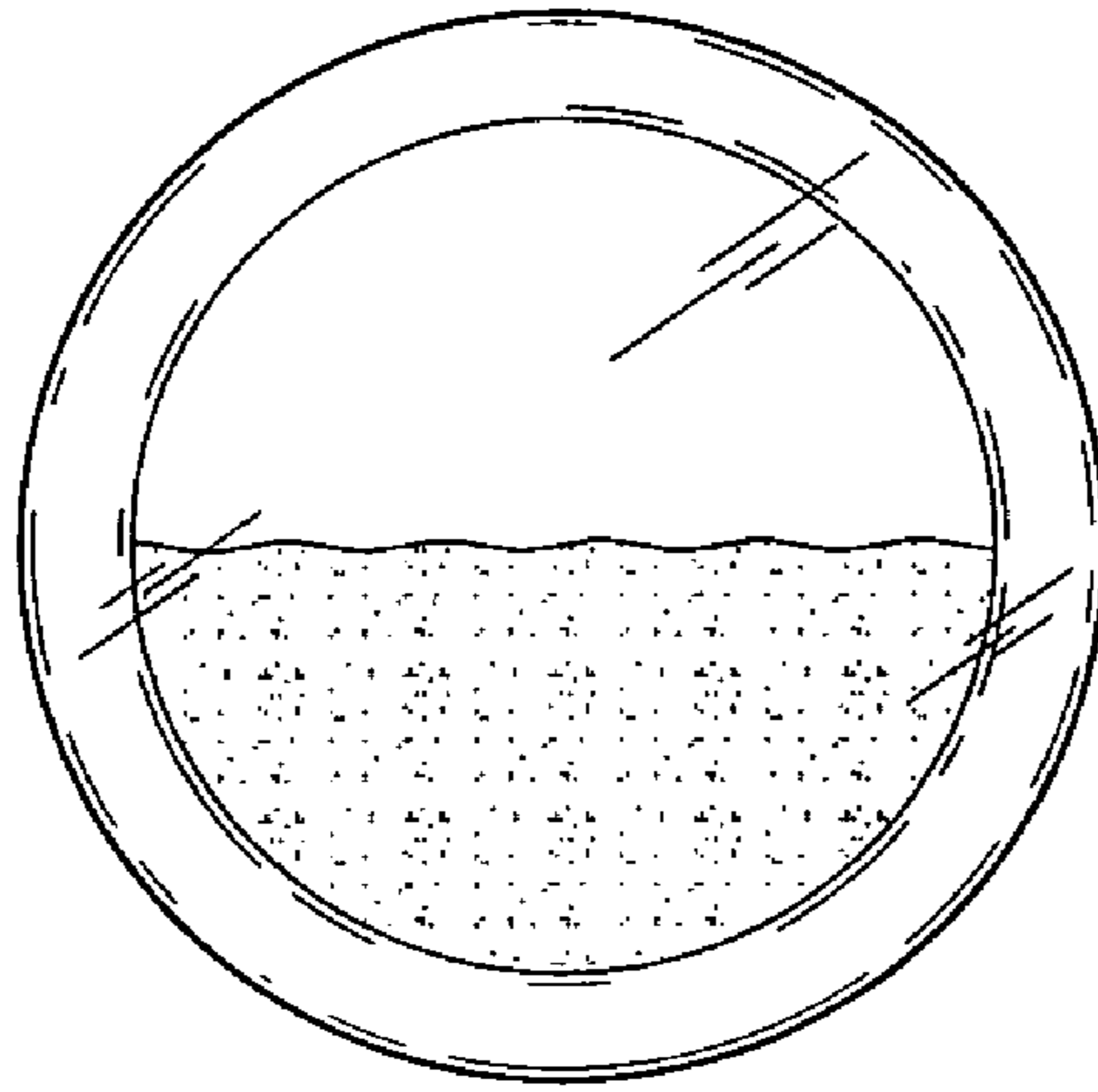
**FIG. 1**



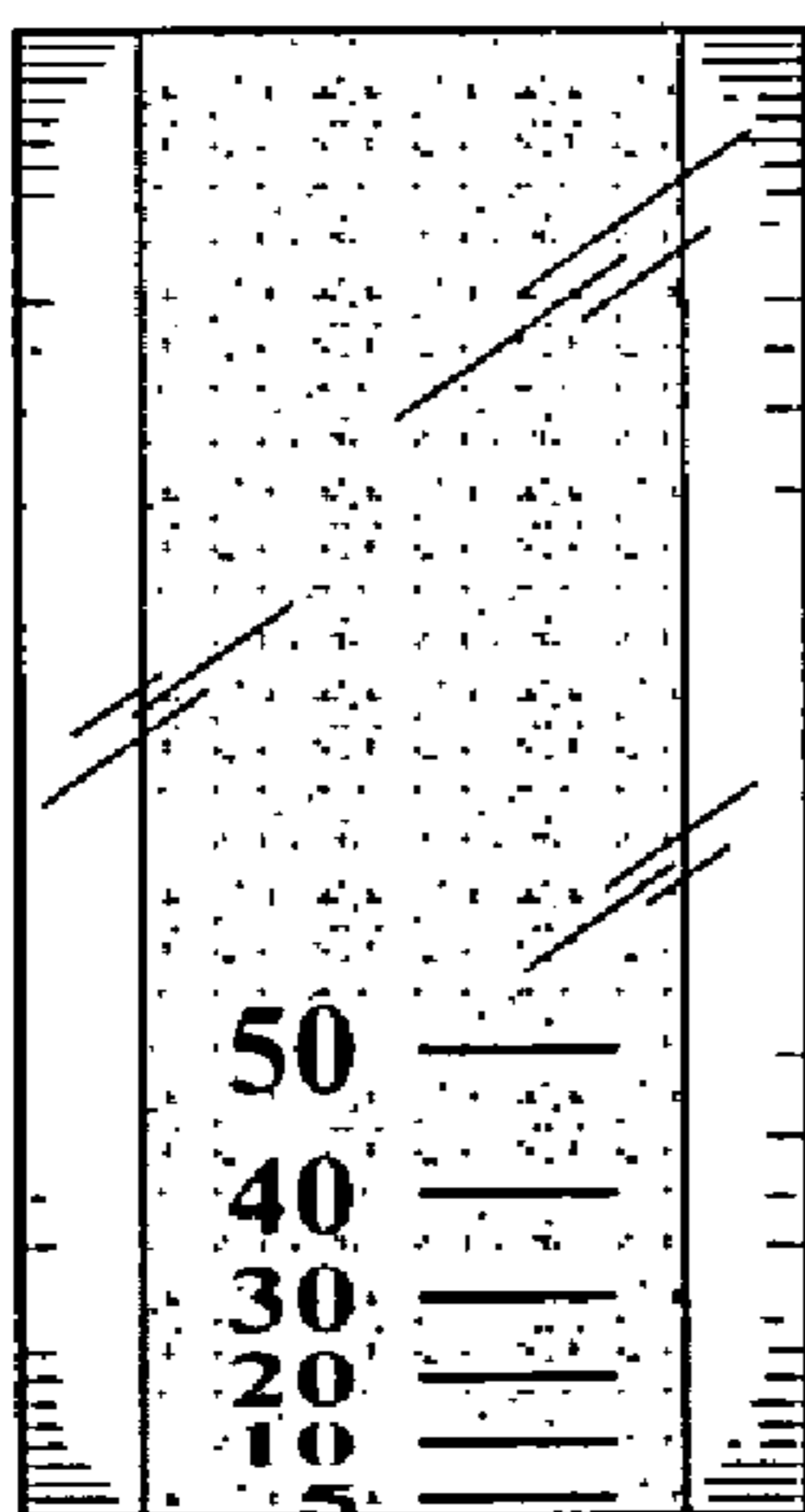
**FIG. 2**



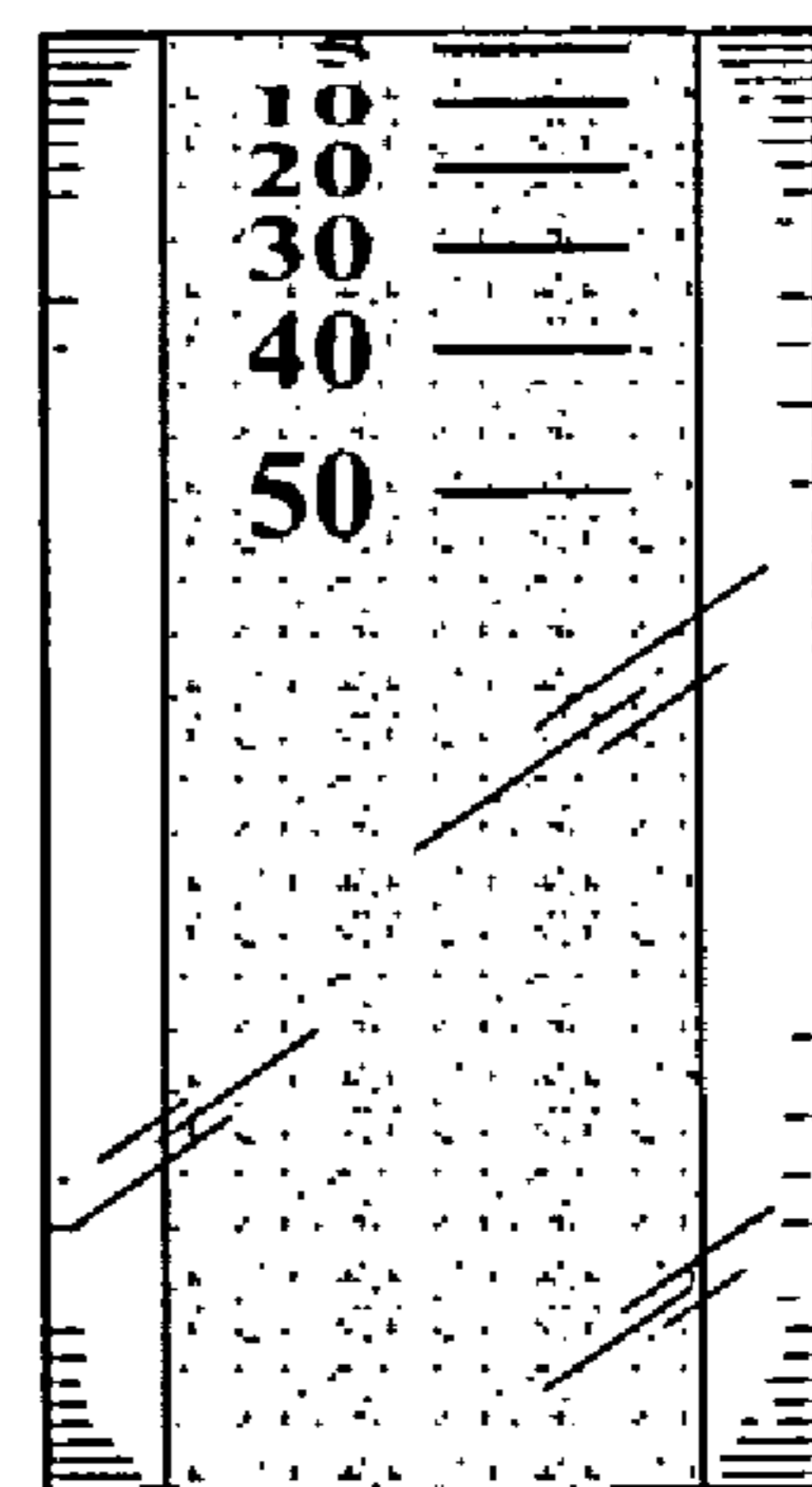
**FIG. 3**



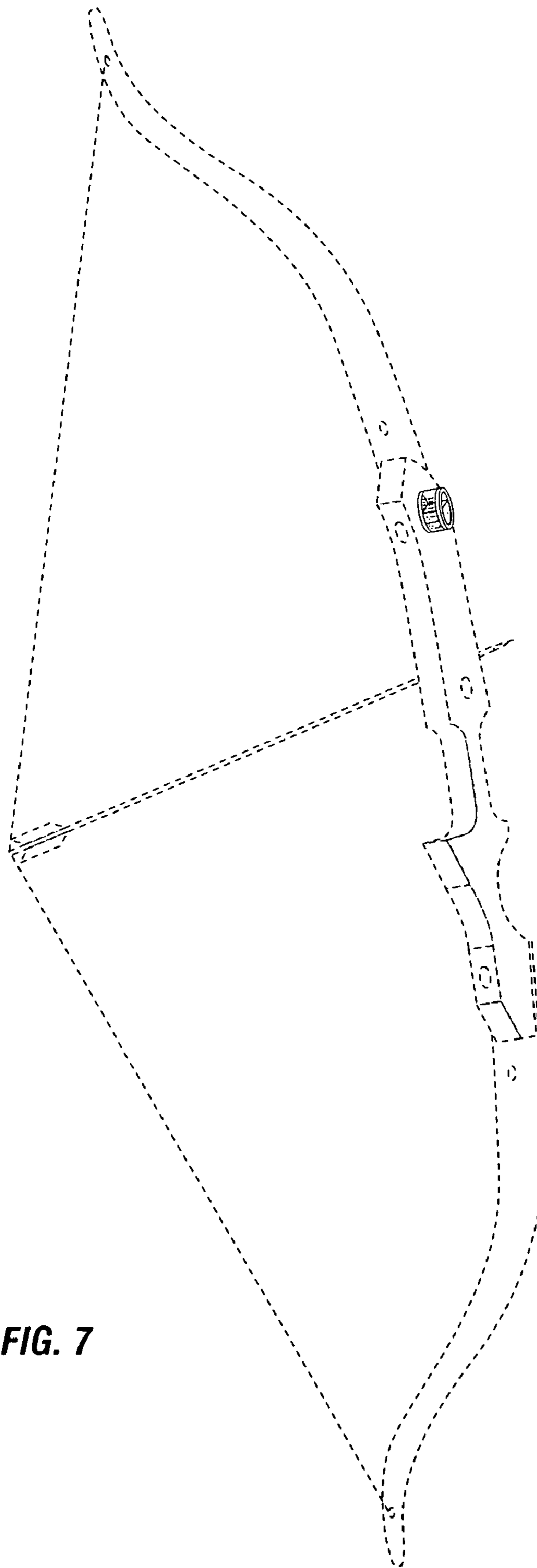
**FIG. 4**



**FIG. 5**



**FIG. 6**



**FIG. 7**