



US00D619187S

(12) **United States Design Patent**
Couch

(10) **Patent No.:** **US D619,187 S**

(45) **Date of Patent:** **** Jul. 6, 2010**

(54) **SWING**

(76) **Inventor:** **Jerry W. Couch**, 1900 Rhode Island Ave., Lynn Haven, FL (US) 32444

(**) **Term:** **14 Years**

(21) **Appl. No.:** **29/337,748**

(22) **Filed:** **May 28, 2009**

(51) **LOC (9) Cl.** **21-03**

(52) **U.S. Cl.** **D21/823**

(58) **Field of Classification Search** D21/811,
D21/814, 823-825; 472/118-125; 446/322
See application file for complete search history.

(56) **References Cited**

U.S. PATENT DOCUMENTS

1,227,686	A	*	5/1917	Stark et al.	446/322
1,360,470	A	*	11/1920	Swityk	446/322
2,545,295	A		3/1951	Miller		
2,638,967	A	*	5/1953	Morton, Jr. et al.	472/118
3,130,969	A	*	4/1964	Groth	472/125
3,937,463	A		2/1976	Soisson		
4,014,540	A		3/1977	Caulkins		

D248,052	S	*	5/1978	West	D21/824
D254,829	S		4/1980	Gass		
D259,652	S	*	6/1981	Ahrens	D21/824
D260,109	S	*	8/1981	Ahrens	D21/823
D331,092	S	*	11/1992	Coddington, Jr.	D21/823
D358,618	S	*	5/1995	Ryaa et al.	D21/823
6,572,483	B1		6/2003	Hoffman		
D571,889	S	*	6/2008	Goransson	D21/823

* cited by examiner

Primary Examiner—Mitchell I Siegel

(57) **CLAIM**

The ornamental design for a swing, as shown and claimed.

DESCRIPTION

FIG. 1 is a perspective view of a swing showing my new design;

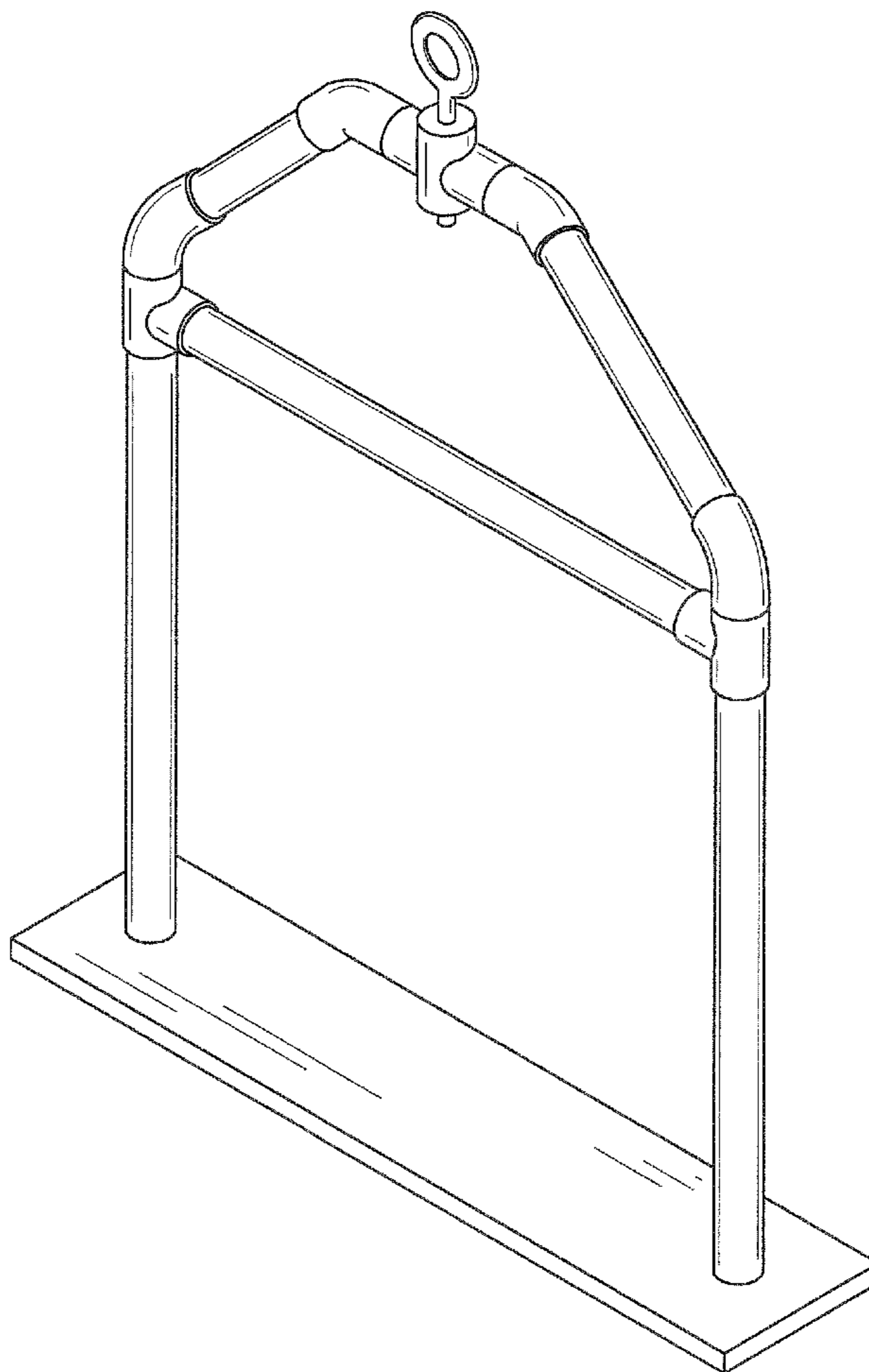
FIG. 2 is a front view (back view is mirror image) thereof;

FIG. 3 is a side view (opposite side is mirror image) thereof;

FIG. 4 is a top view thereof; and,

FIG. 5 is a bottom view thereof.

1 Claim, 4 Drawing Sheets



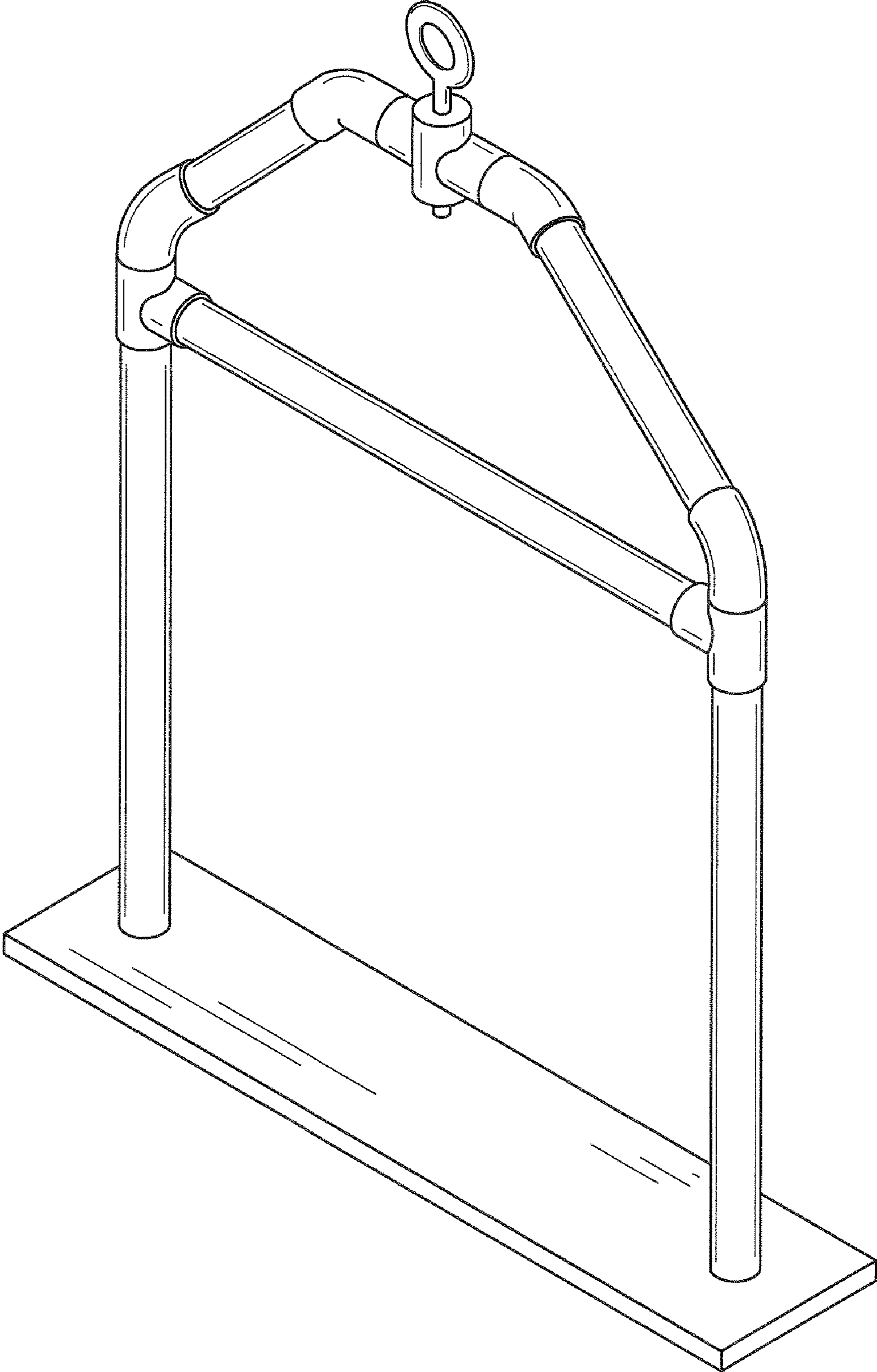


FIG. 1

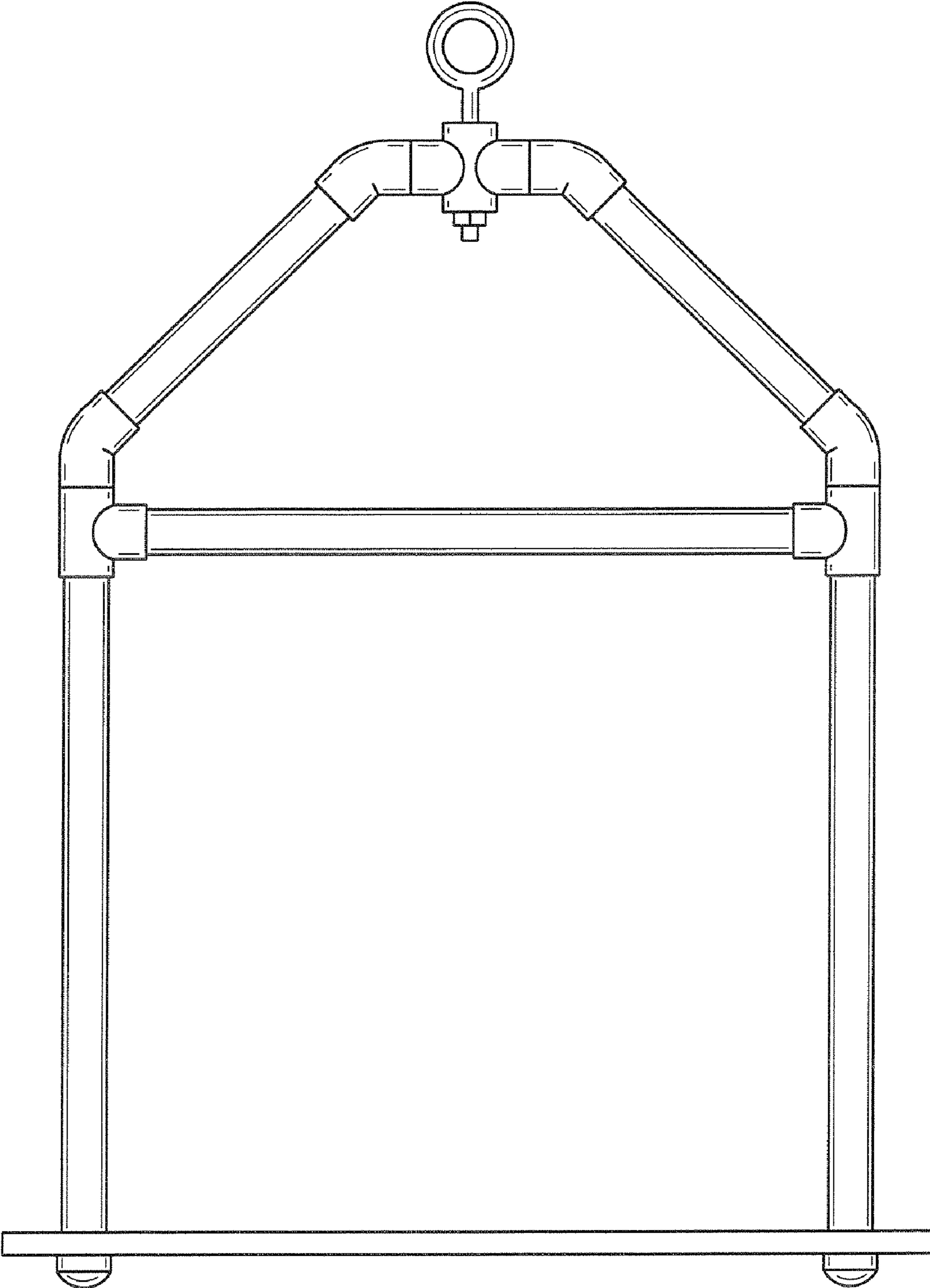


FIG. 2

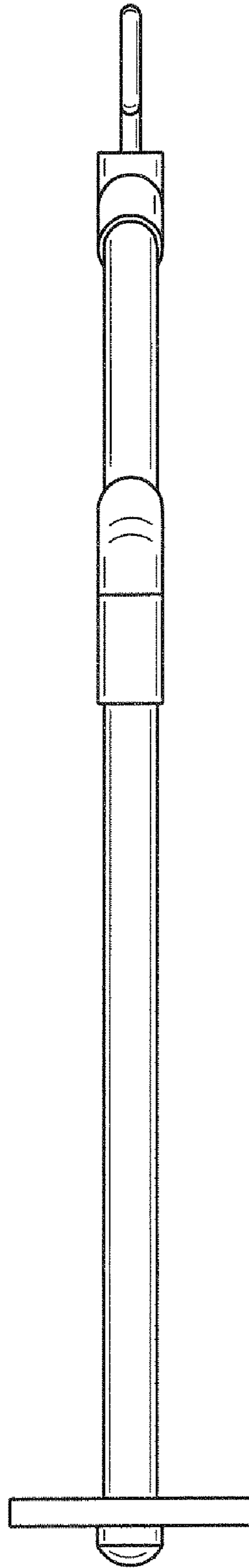


FIG. 3

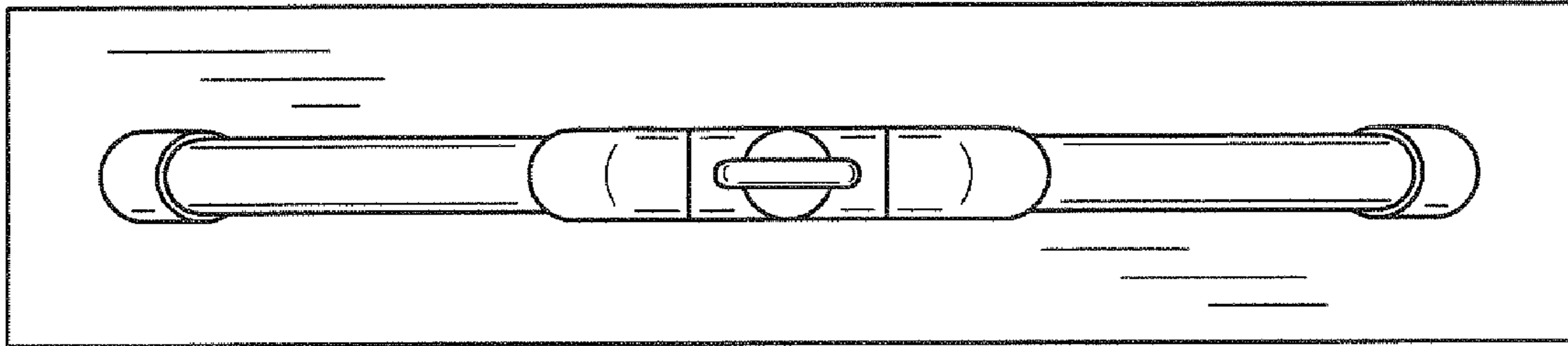


FIG. 4

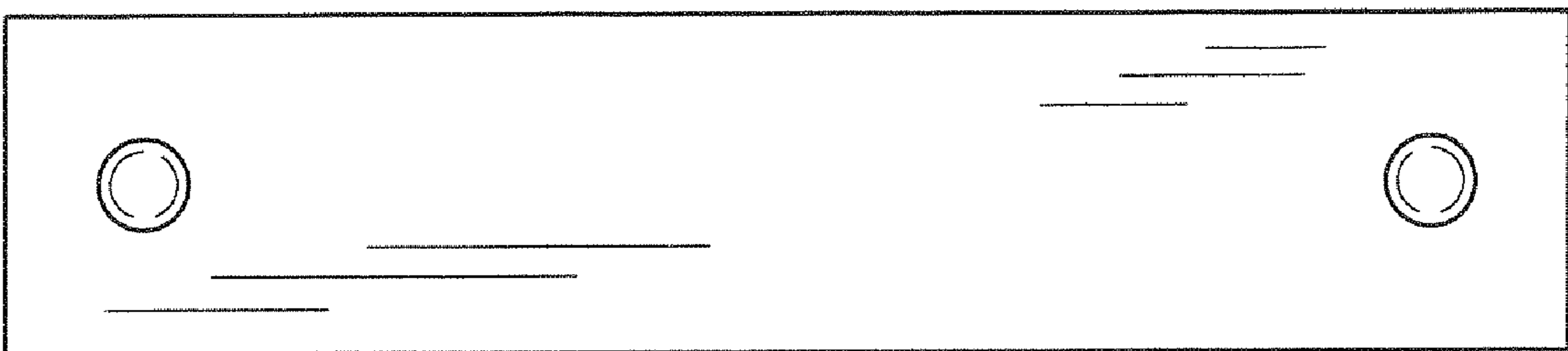


FIG. 5