



US00D619180S

(12) **United States Design Patent**  
**Chan**

(10) **Patent No.:** **US D619,180 S**  
(45) **Date of Patent:** **\*\* Jul. 6, 2010**

(54) **FOLDING RETRACTABLE WING ASSEMBLY FOR TOYS**

(75) Inventor: **Albert Chan**, Taipei (TW)

(73) Assignee: **Thinking Technology, Inc.**, Nassau (BS)

(\*\*) Term: **14 Years**

(21) Appl. No.: **29/345,775**

(22) Filed: **Oct. 22, 2009**

(30) **Foreign Application Priority Data**

May 1, 2009 (CA) ..... 130700

(51) **LOC (9) Cl.** ..... **27-01**

(52) **U.S. Cl.** ..... **D21/582; D21/578**

(58) **Field of Classification Search** ..... D21/449,  
D21/578–583, 626; 446/268, 360, 361, 376,  
446/379, 382–384; D15/199

See application file for complete search history.

(56) **References Cited**

**U.S. PATENT DOCUMENTS**

D294,047 S *	2/1988	Matsumoto	.....	D21/582
D294,154 S *	2/1988	McDaniel	.....	D21/449
D295,652 S *	5/1988	Kitamura	.....	D21/578
D298,562 S *	11/1988	Kitamura	.....	D21/584
D301,504 S *	6/1989	Kunihiro	.....	D21/583
D302,447 S *	7/1989	Shinohara	.....	D21/582
D303,411 S *	9/1989	Matsuda	.....	D21/582
D305,050 S *	12/1989	Ishizawa	.....	D21/579
D458,319 S *	6/2002	Koshiishi et al.	.....	D21/578
D479,288 S *	9/2003	Nakase	.....	D21/578
D506,229 S *	6/2005	Tabor et al.	.....	D21/445
2006/0189251 A1 *	8/2006	Okamoto et al.	.....	446/376
2006/0292958 A1 *	12/2006	Sun et al.	.....	446/63

\* cited by examiner

*Primary Examiner*—Janice E Seeger  
*Assistant Examiner*—Zenia I Bennett

(74) *Attorney, Agent, or Firm*—Fredrikson & Byron, P.A.

(57) **CLAIM**

I claim the ornamental design for a folding retractable wing assembly for toys, as show and described.

**DESCRIPTION**

FIG. 1 is a rear perspective view of the design, with the wings folded and retracted;

FIG. 2 is a rear elevation view thereof;

FIG. 3 is a left side elevation view thereof;

FIG. 4 is a right side elevation view thereof;

FIG. 5 is a top elevation view thereof;

FIG. 6 is a bottom elevation view thereof; and

FIG. 7 is a front elevation view thereof.

FIG. 8 is a rear perspective view of the design, with the wings folded and extended;

FIG. 9 is a rear elevation view thereof;

FIG. 10 is a left side elevation view thereof;

FIG. 11 is a right side elevation view thereof;

FIG. 12 is a top elevation view thereof;

FIG. 13 is a bottom elevation view thereof; and

FIG. 14 is a front elevation view thereof.

FIG. 15 is a rear perspective view of the design, with the wings unfolded and extended;

FIG. 16 is a rear elevation view thereof;

FIG. 17 is a left side elevation view thereof;

FIG. 18 is a right side elevation view thereof;

FIG. 19 is a top elevation view thereof;

FIG. 20 is a bottom elevation view thereof; and,

FIG. 21 is a front elevation view thereof.

**1 Claim, 7 Drawing Sheets**

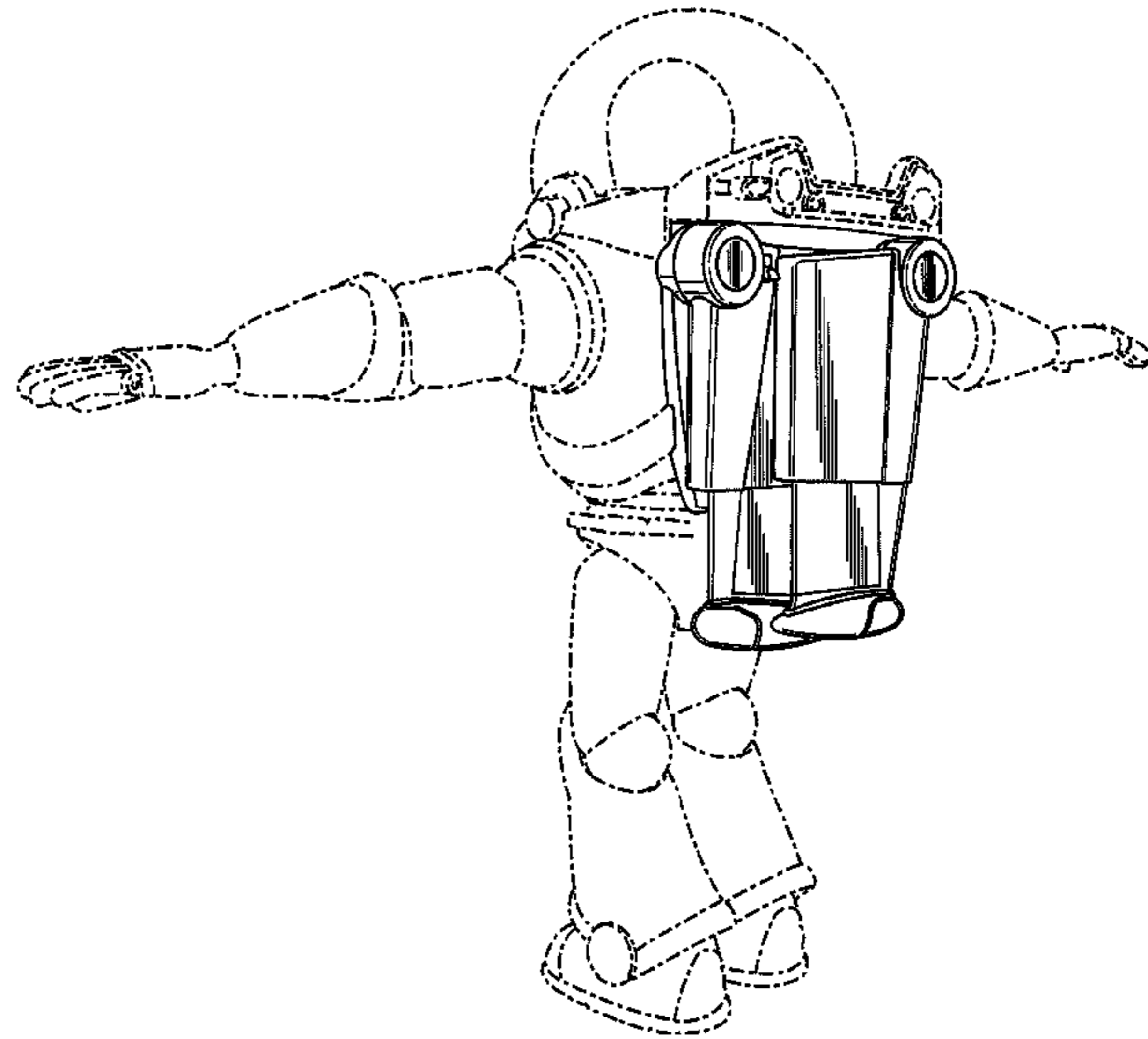
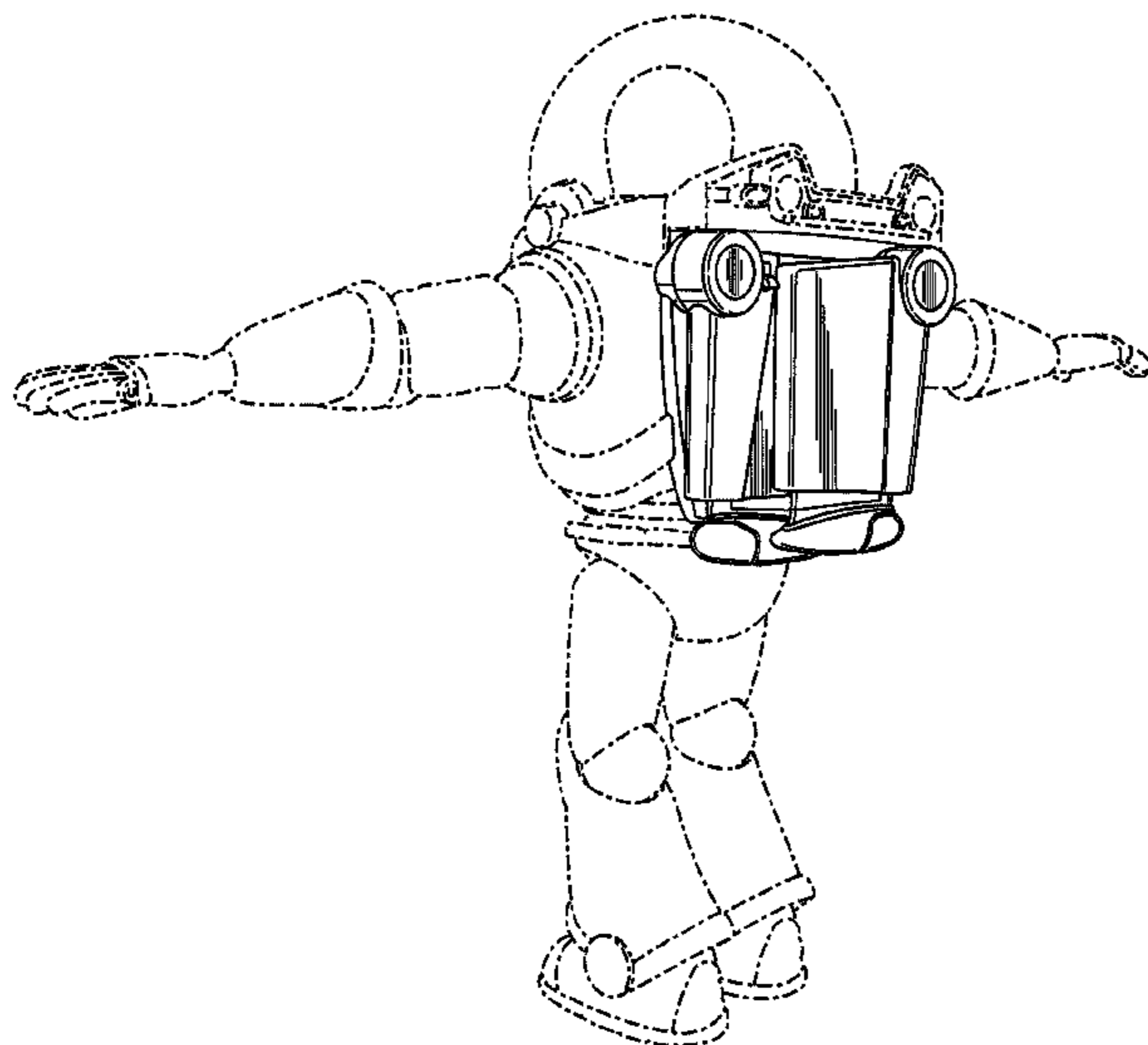
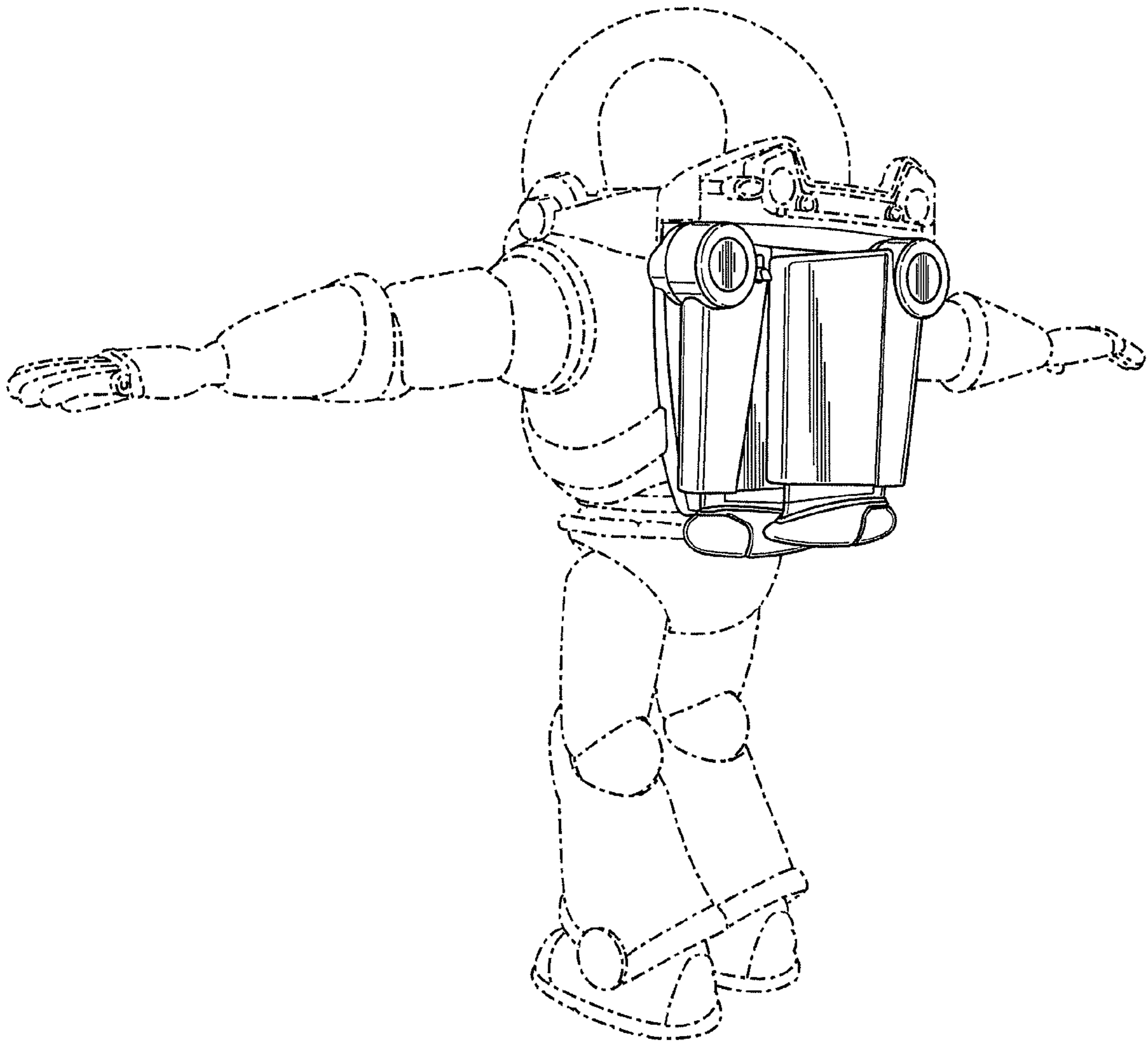


Fig.1



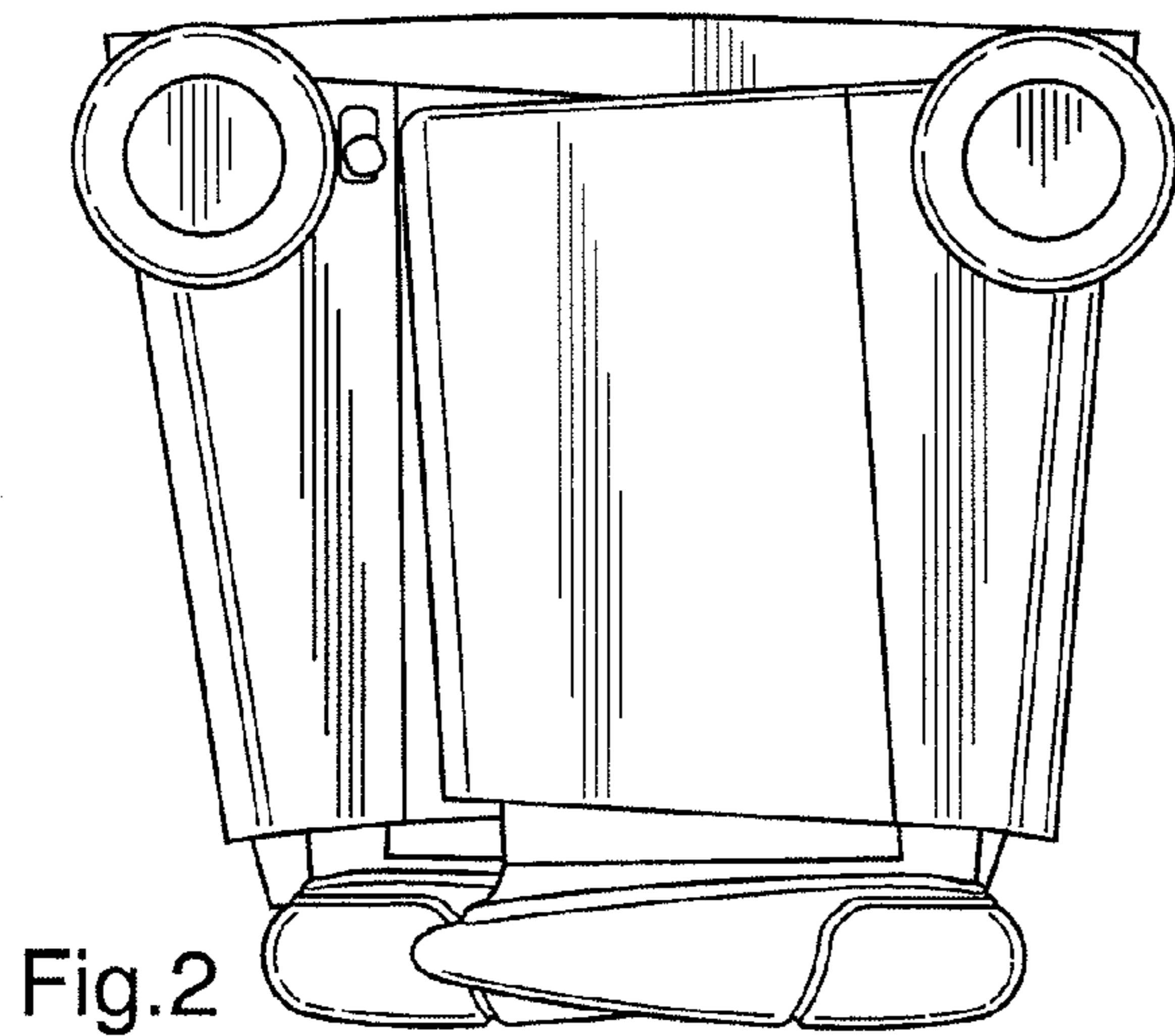


Fig.2

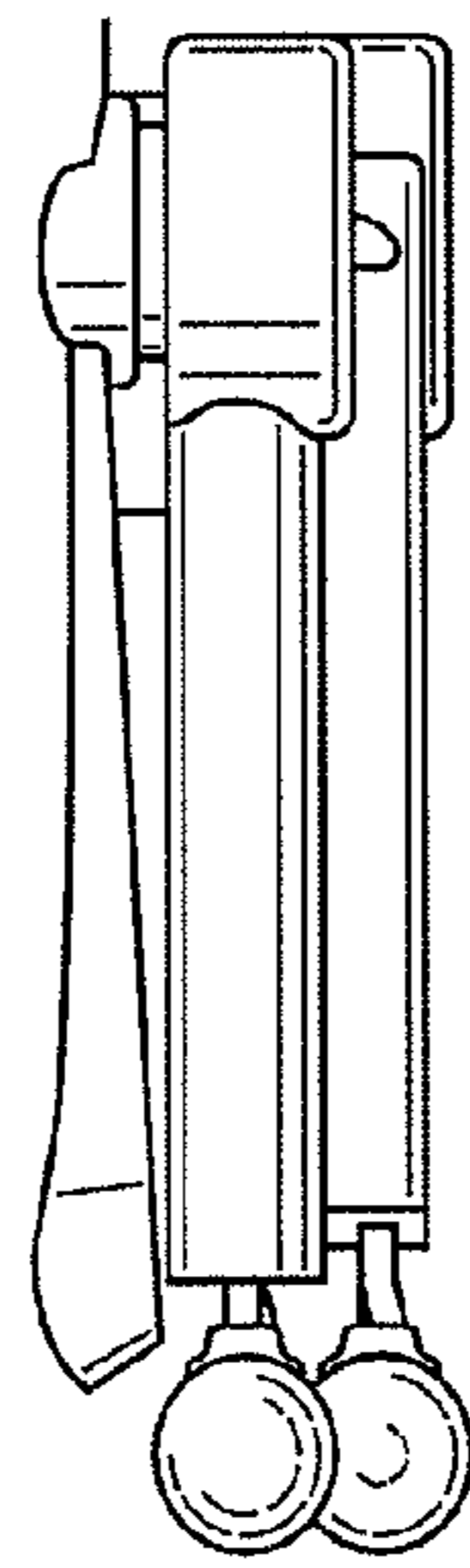


Fig.3

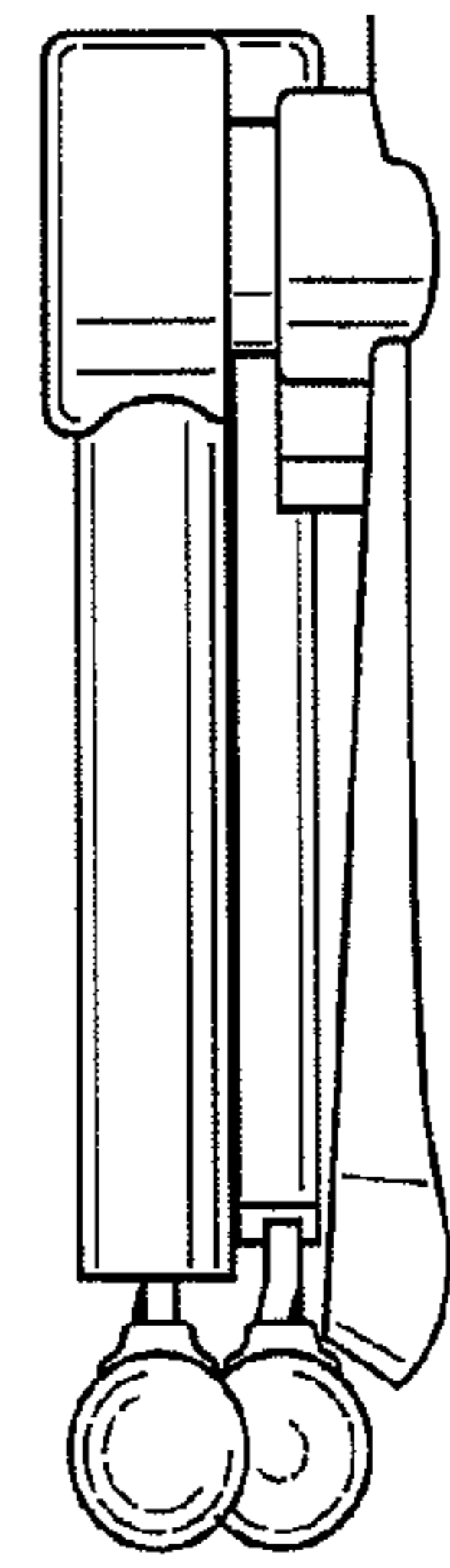


Fig.4

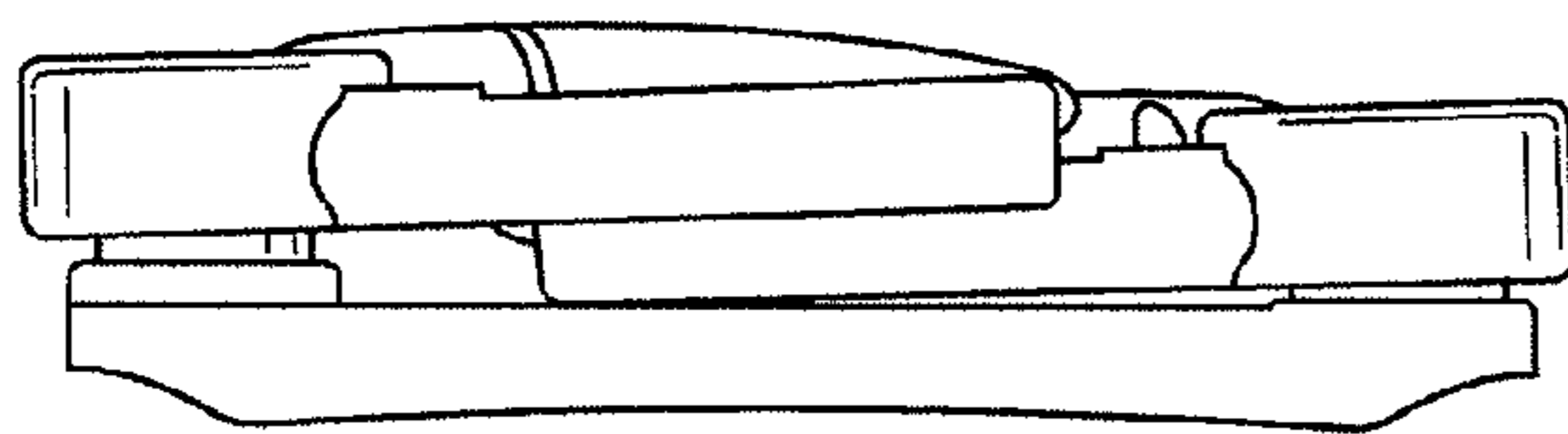


Fig.5

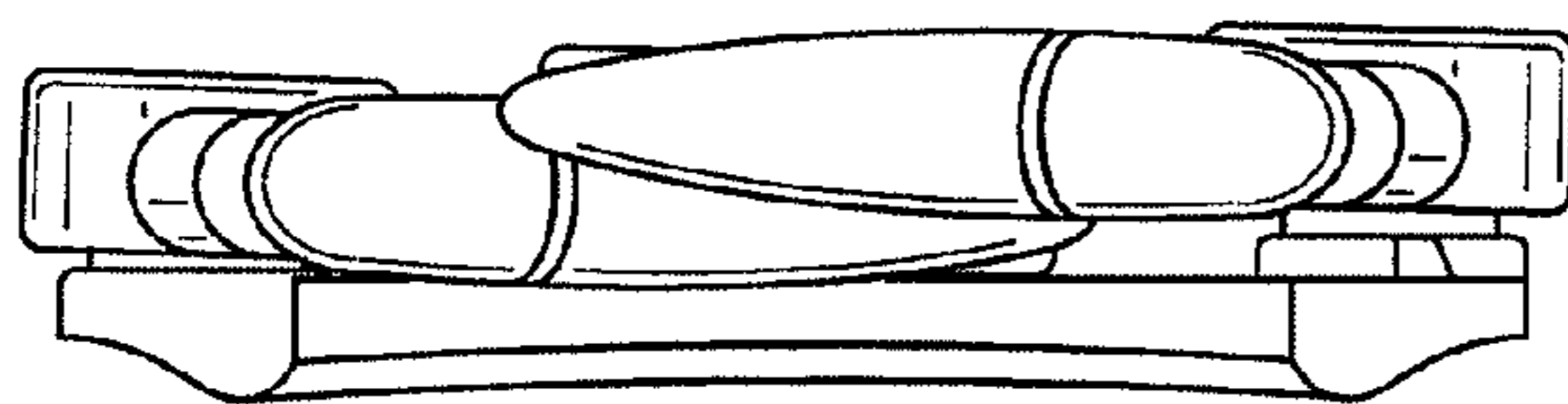


Fig.6

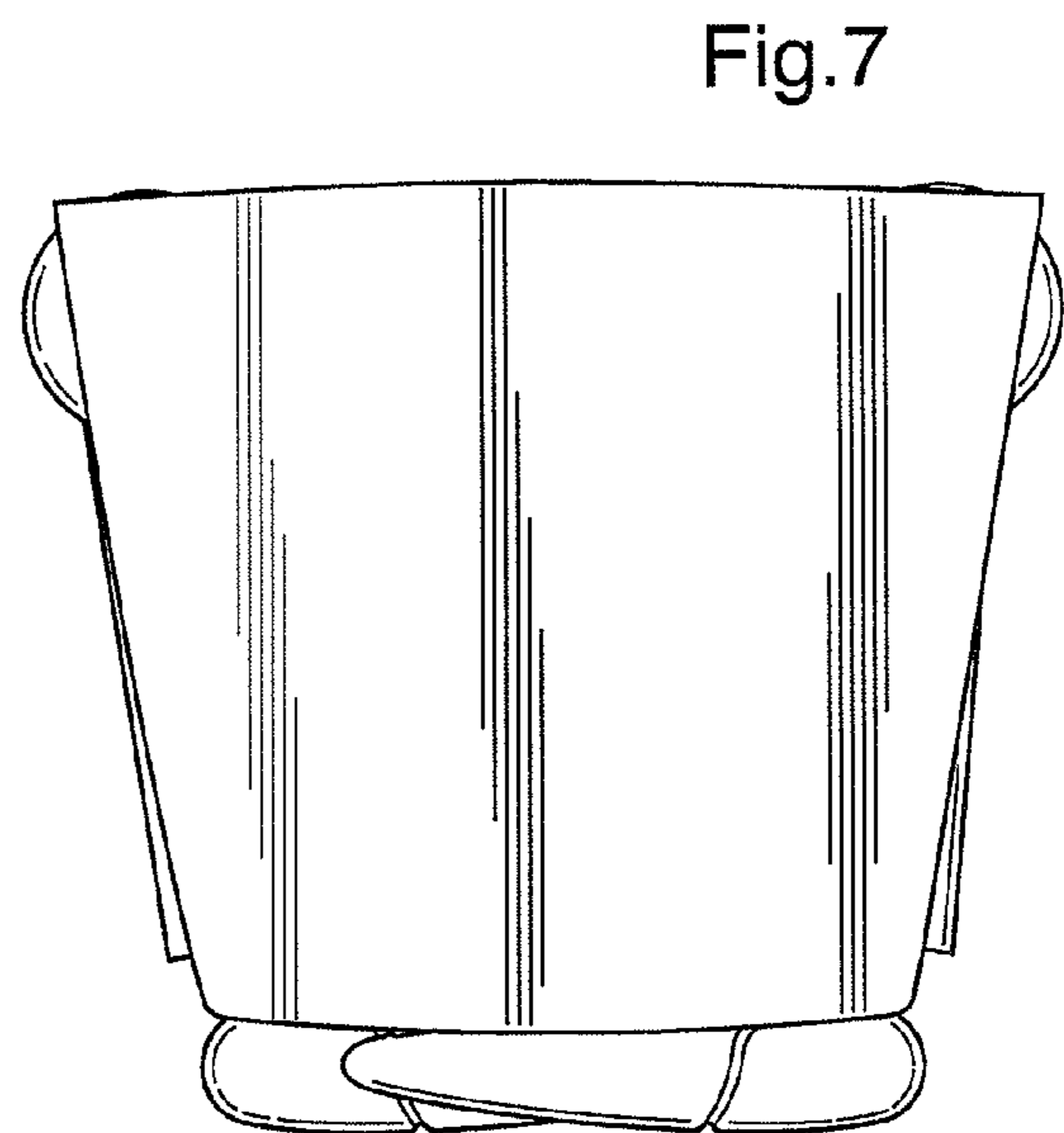


Fig.7

Fig.8

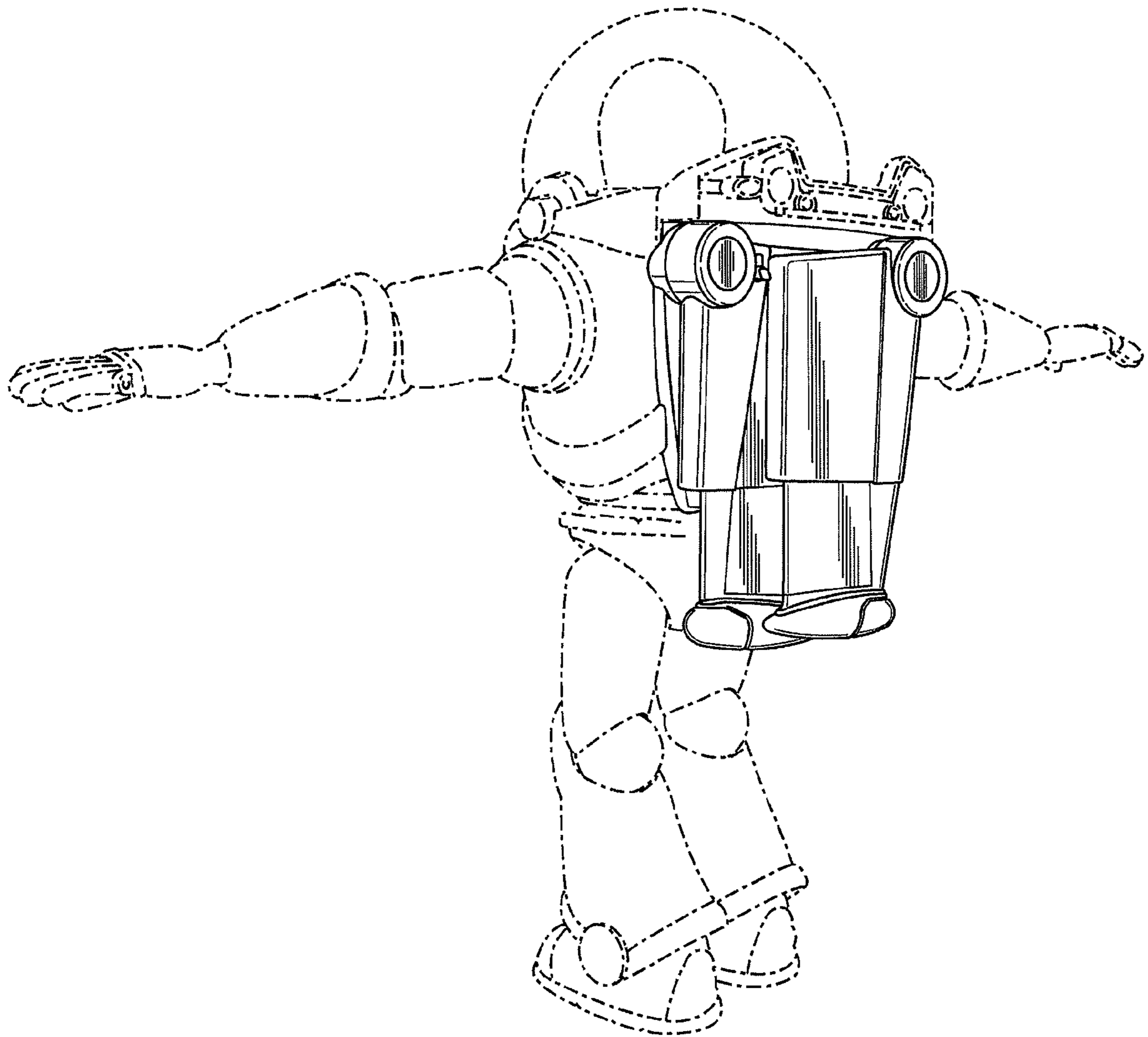


Fig.9

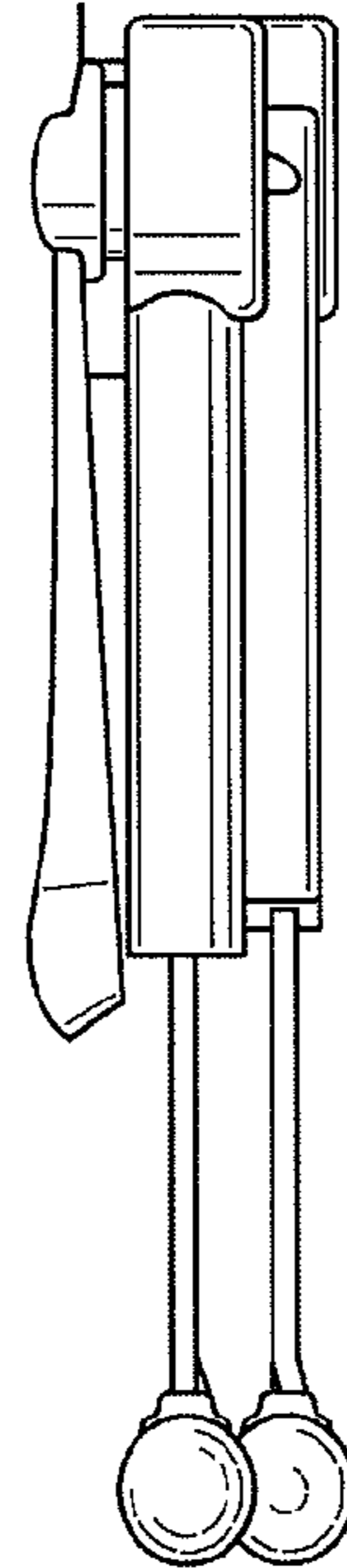
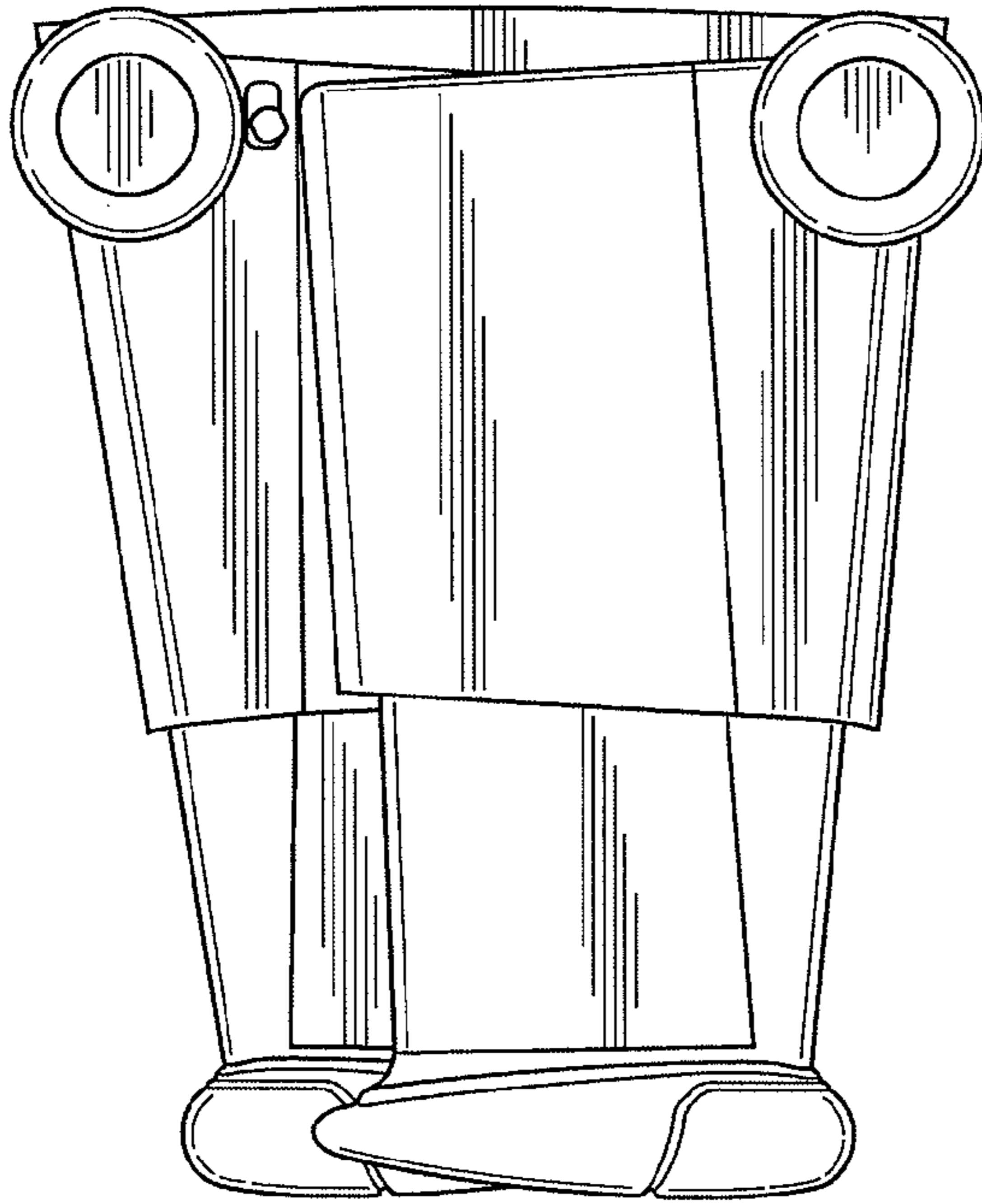


Fig.10

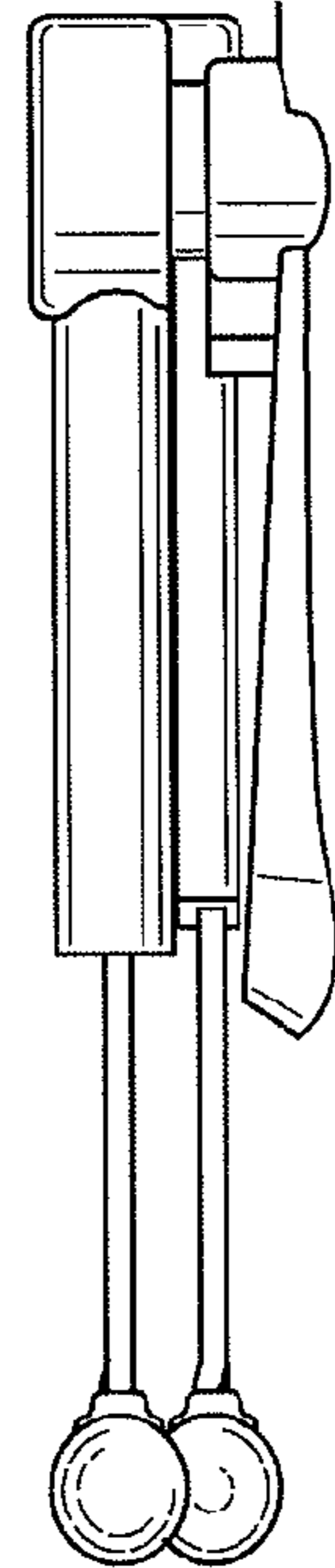


Fig.11

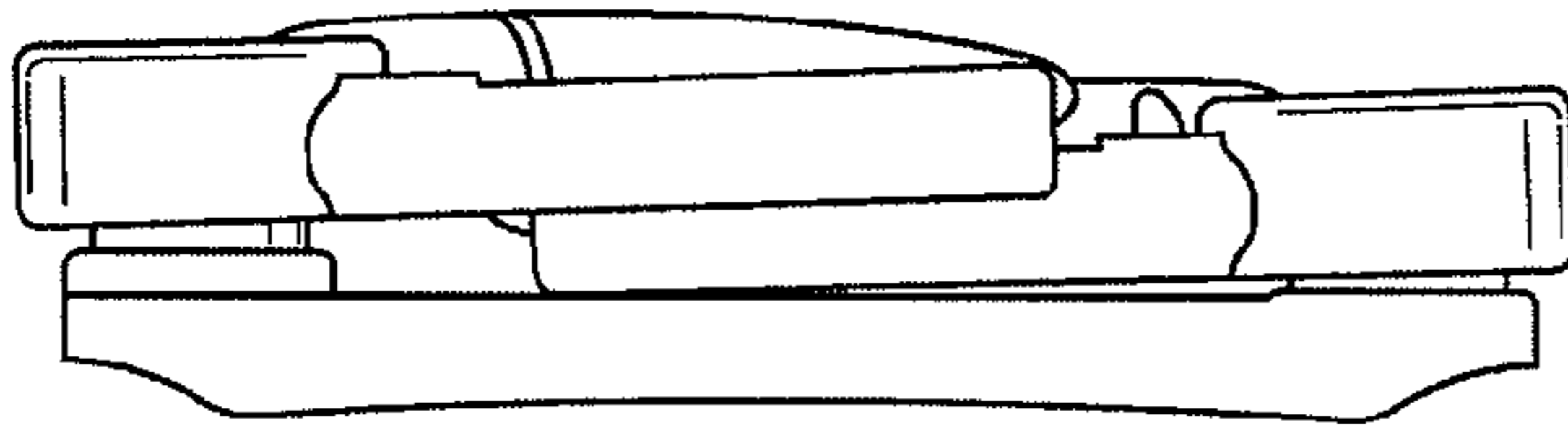


Fig.12

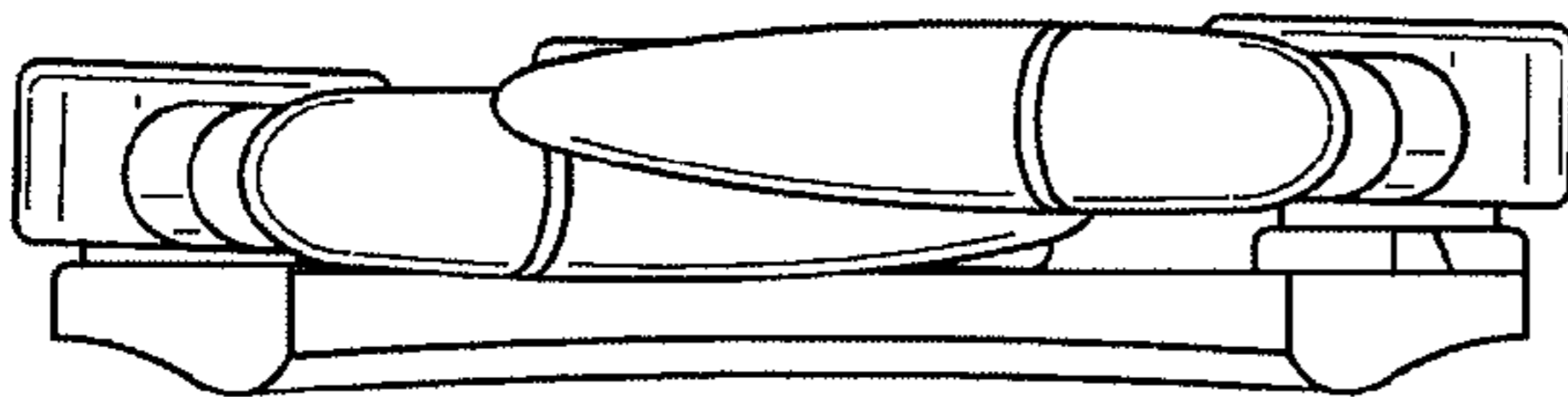


Fig.13

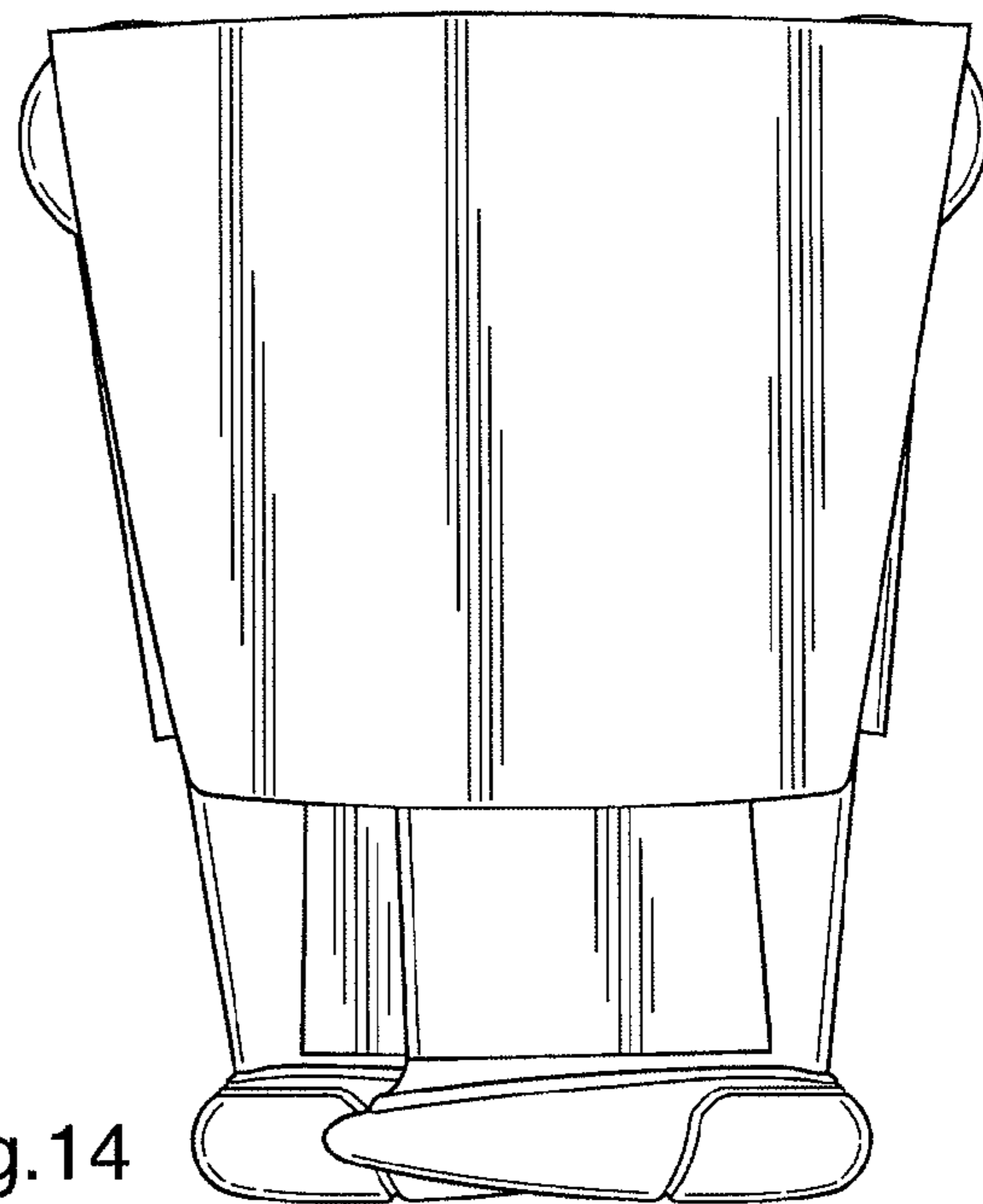
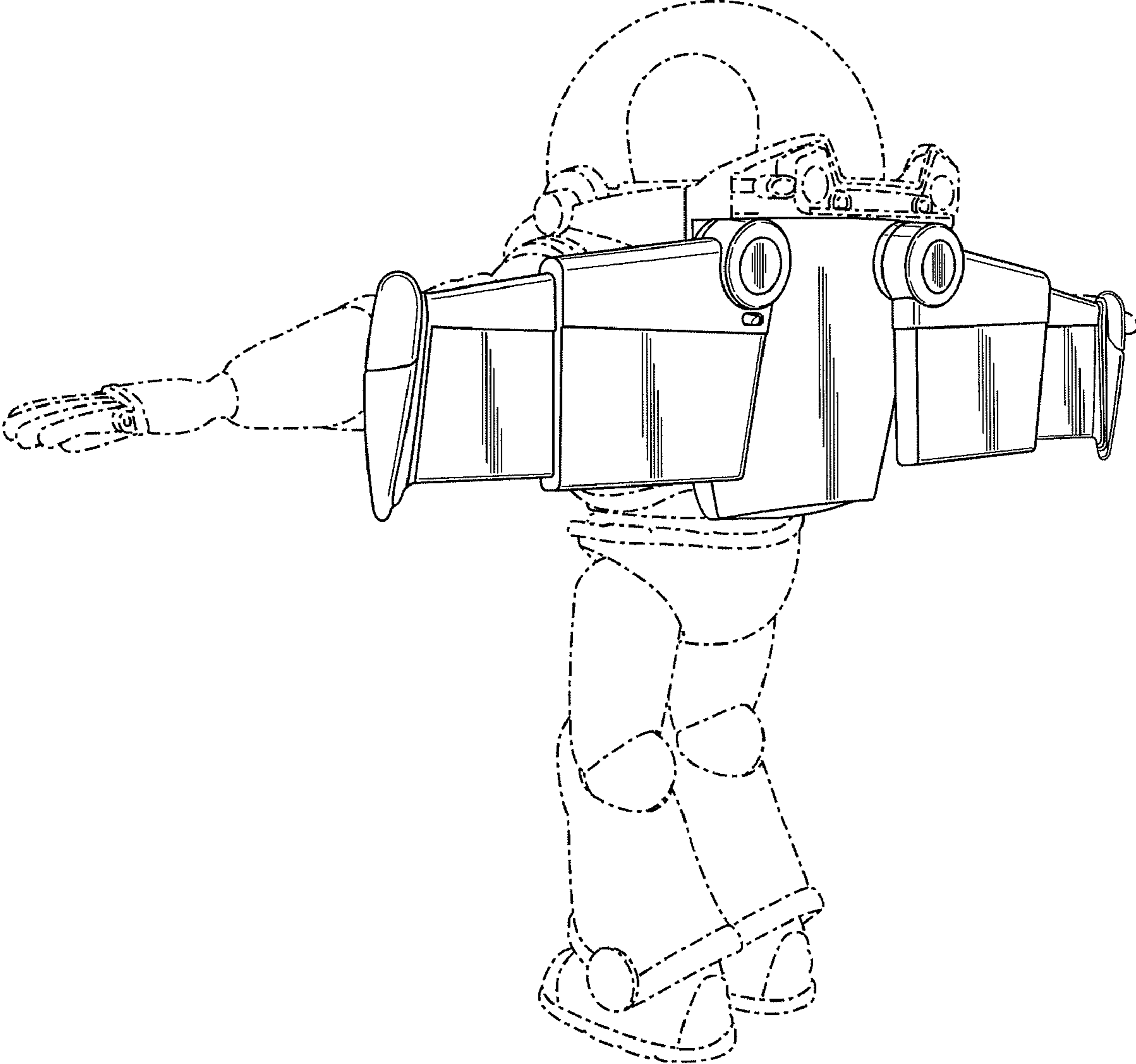


Fig.14

Fig.15



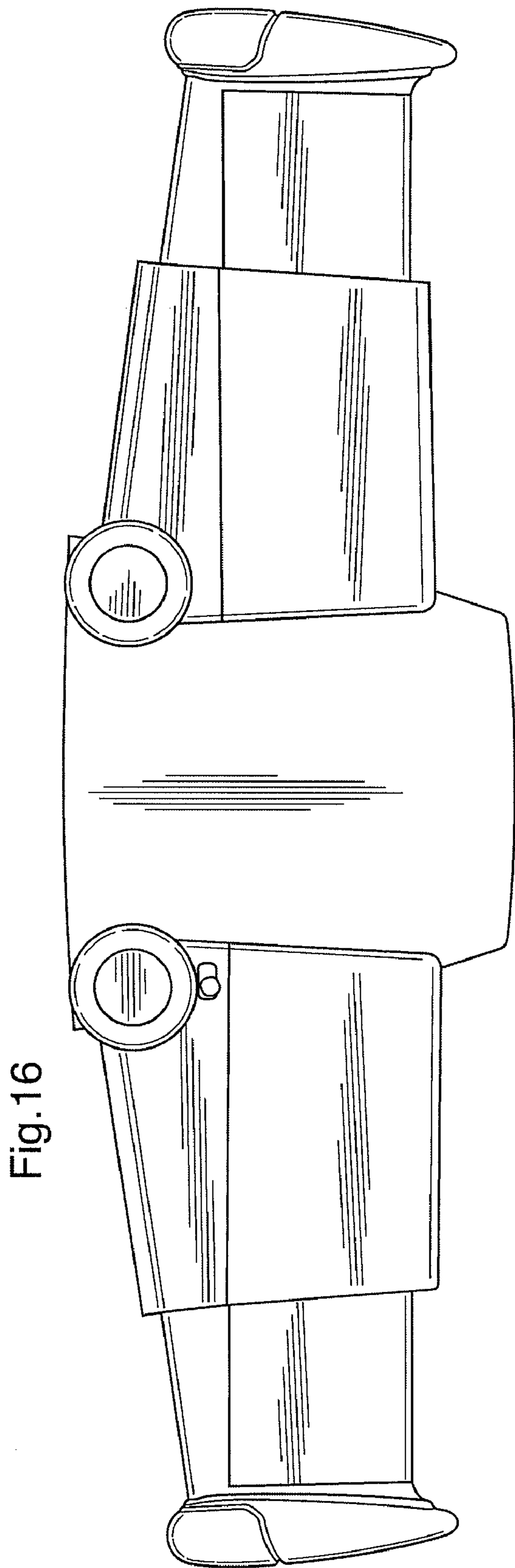


Fig. 18

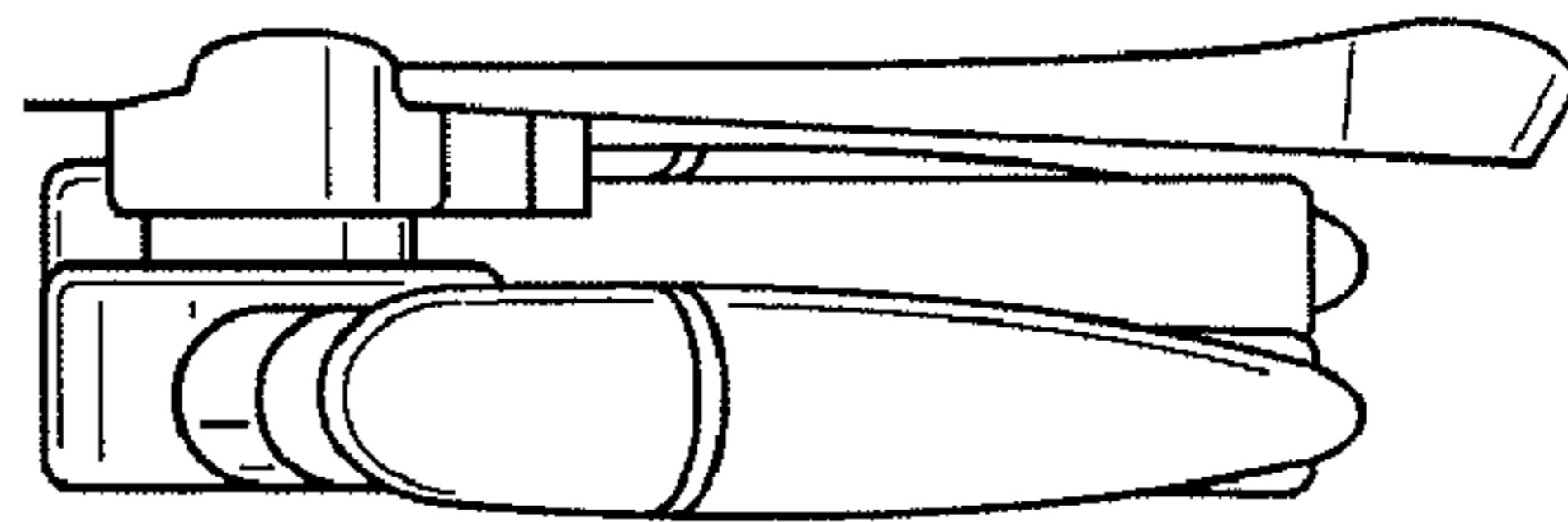
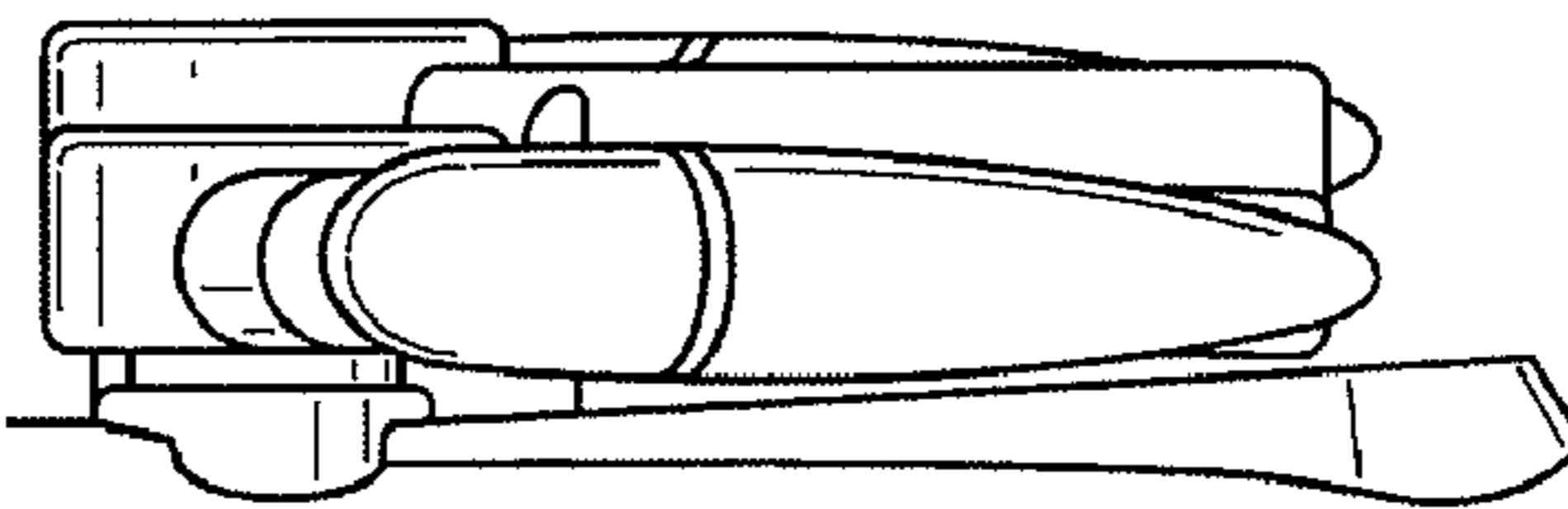


Fig. 17



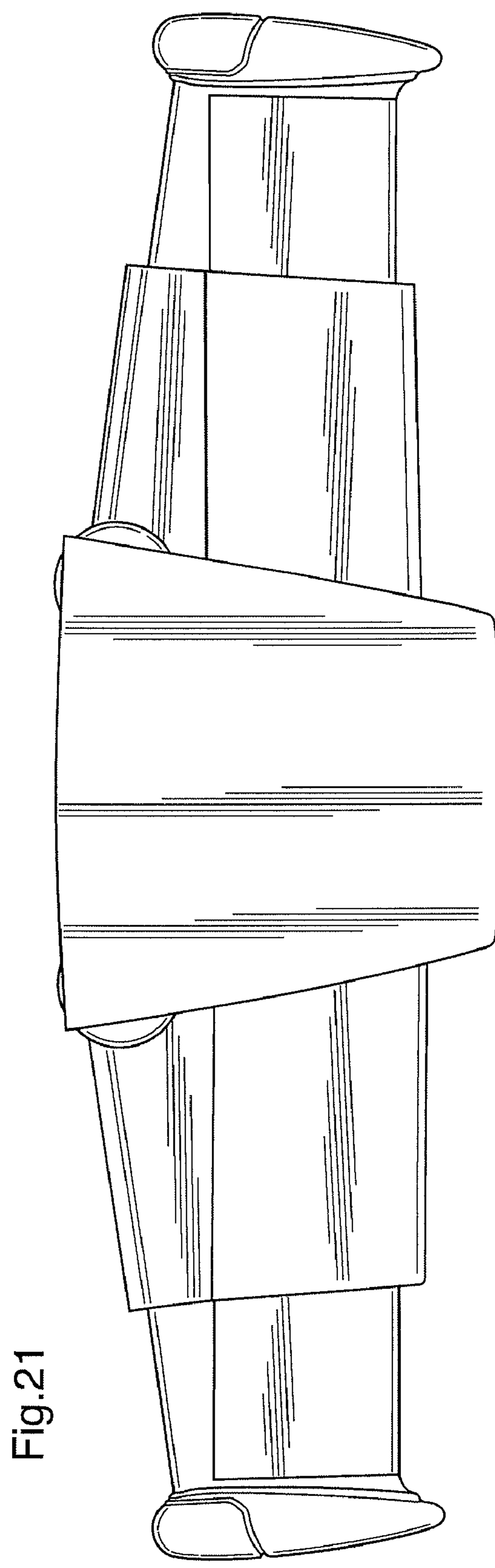
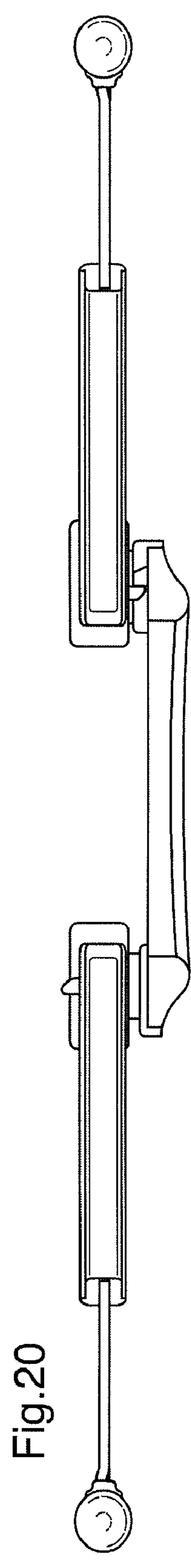
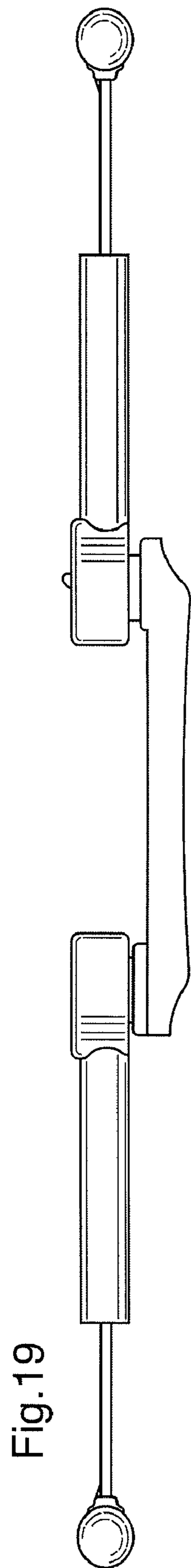


Fig. 19

Fig. 20

Fig. 21