



US00D619177S

(12) **United States Design Patent**  
**Lee**

(10) **Patent No.:** **US D619,177 S**  
(45) **Date of Patent:** **\*\* Jul. 6, 2010**

(54) **GAME MACHINE**

D566,195 S \* 4/2008 Ichimura et al. .... D21/325

(76) Inventor: **Jae-Hyung Lee**, 155-6 Oryu-dong,  
Jung-gu, Daejeon (KR)

\* cited by examiner

*Primary Examiner*—Prabhakar Deshmukh

(\*\*) Term: **14 Years**

(74) *Attorney, Agent, or Firm*—Blakely Sokoloff Taylor &  
Zafman LLP

(21) Appl. No.: **29/322,111**

(22) Filed: **Jul. 29, 2008**

(57) **CLAIM**

(30) **Foreign Application Priority Data**

The ornamental design for a game machine, as shown and  
described.

Jul. 16, 2008 (KR) ..... 30-2008-0030847

**DESCRIPTION**

(51) **LOC (9) Cl.** ..... **21-01**

FIG. 1 is a perspective view of a game machine showing my  
new design;

(52) **U.S. Cl.** ..... **D21/325**

FIG. 2 is a front view thereof;

(58) **Field of Classification Search** ..... D21/325,

FIG. 3 is a rear view thereof;

D21/326, 329, 333, 369–371, 385; 273/148 B,

FIG. 4 is a left side view thereof;

273/138.1; 463/16–21, 25, 42, 46, 47

FIG. 5 is a right side view thereof;

See application file for complete search history.

FIG. 6 is a top plan view thereof; and,

(56) **References Cited**

FIG. 7 is an enlarged bottom view thereof.

**U.S. PATENT DOCUMENTS**

The portions of the game machine shown in broken lines are  
included for the purpose of illustrating environment and form  
no part of the claimed design.

4,643,421 A \* 2/1987 Meyer et al. .... 463/1

D463,504 S \* 9/2002 Stephan ..... D21/369

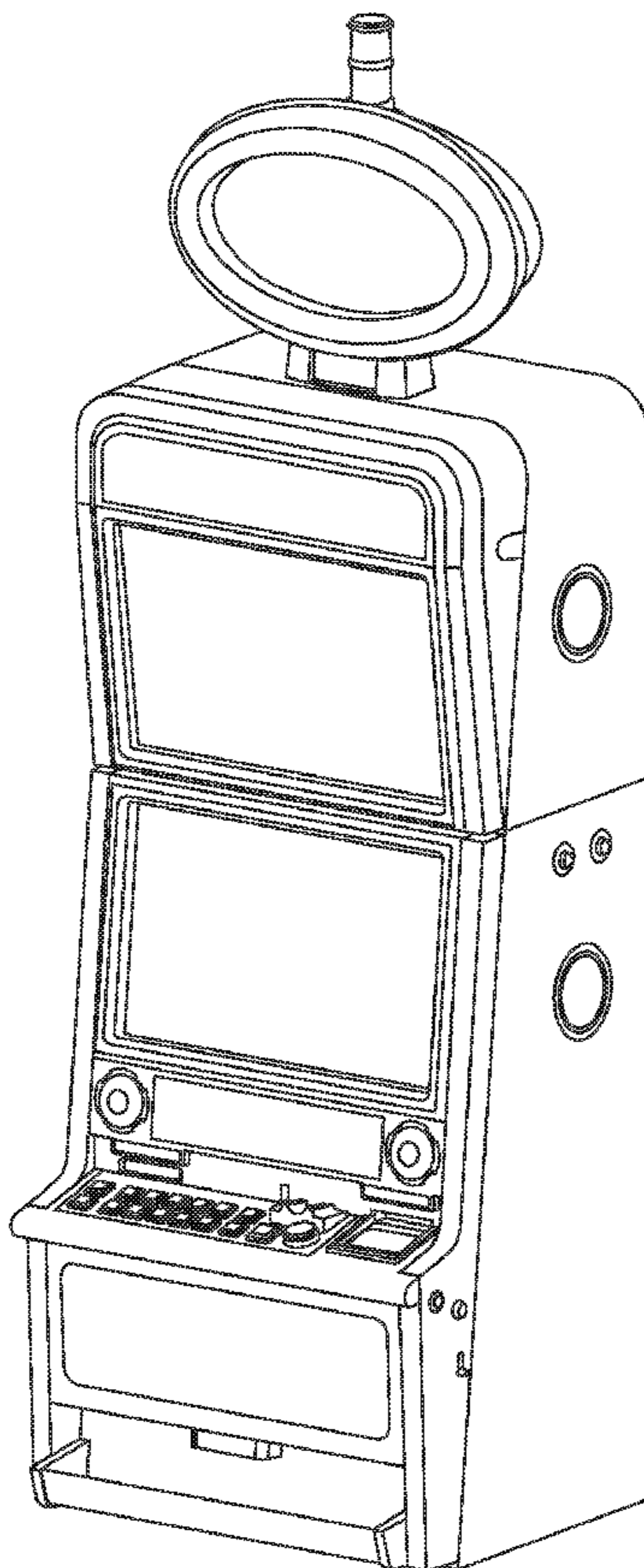
6,461,239 B1 \* 10/2002 Sagawa et al. .... 463/7

D508,268 S 8/2005 Hanchar et al.

D508,719 S \* 8/2005 de Haas ..... D21/369

D546,893 S \* 7/2007 Yamashita ..... D21/325

**1 Claim, 7 Drawing Sheets**



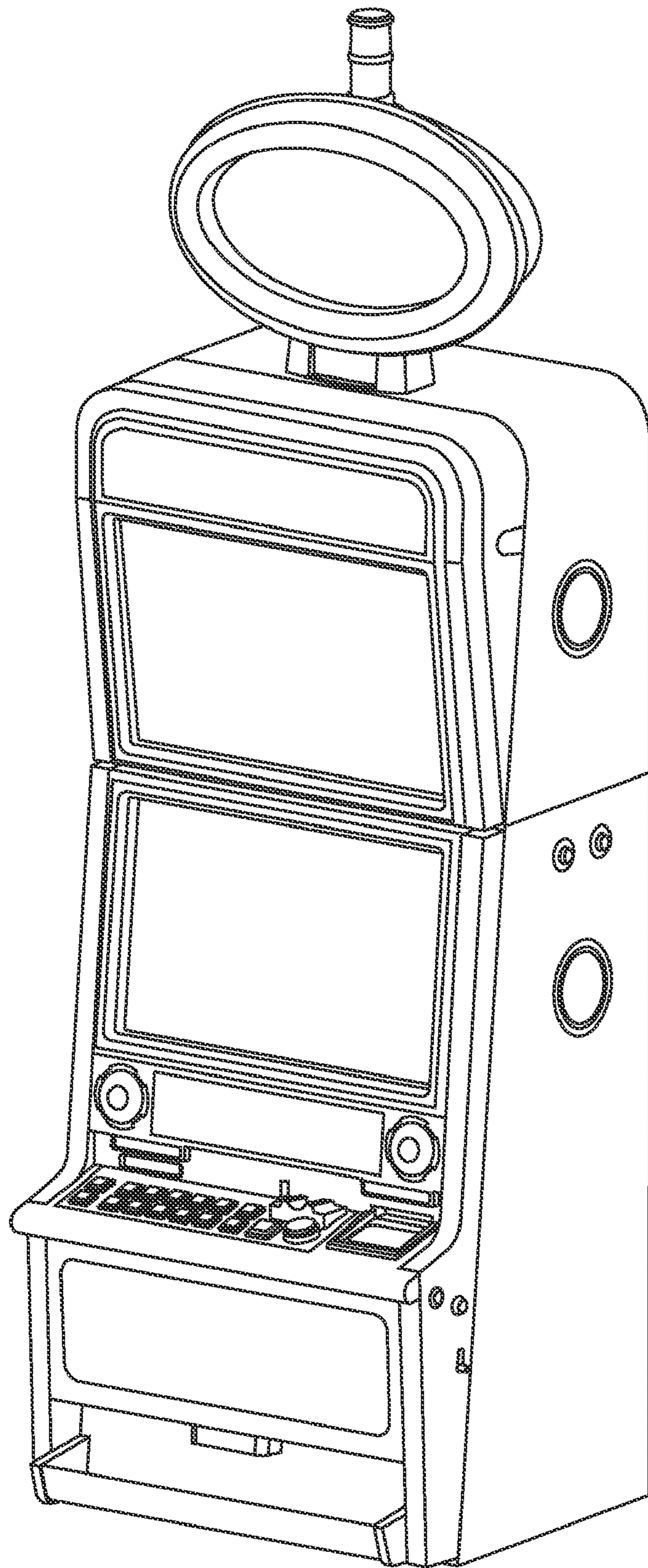


FIG. 1

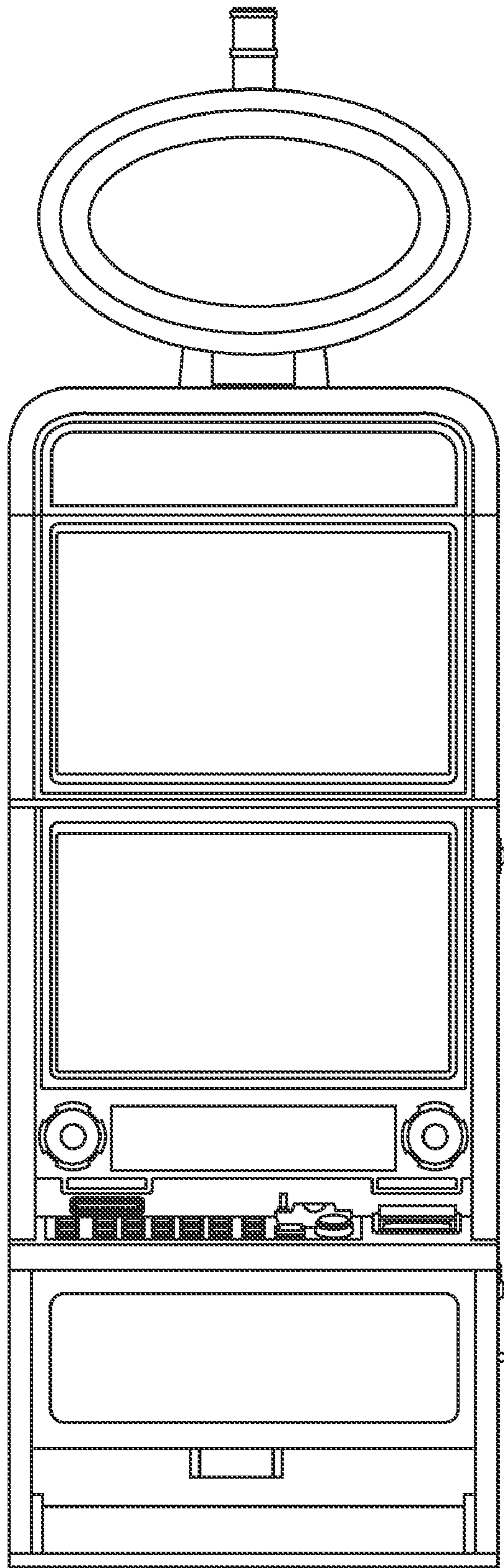


FIG. 2

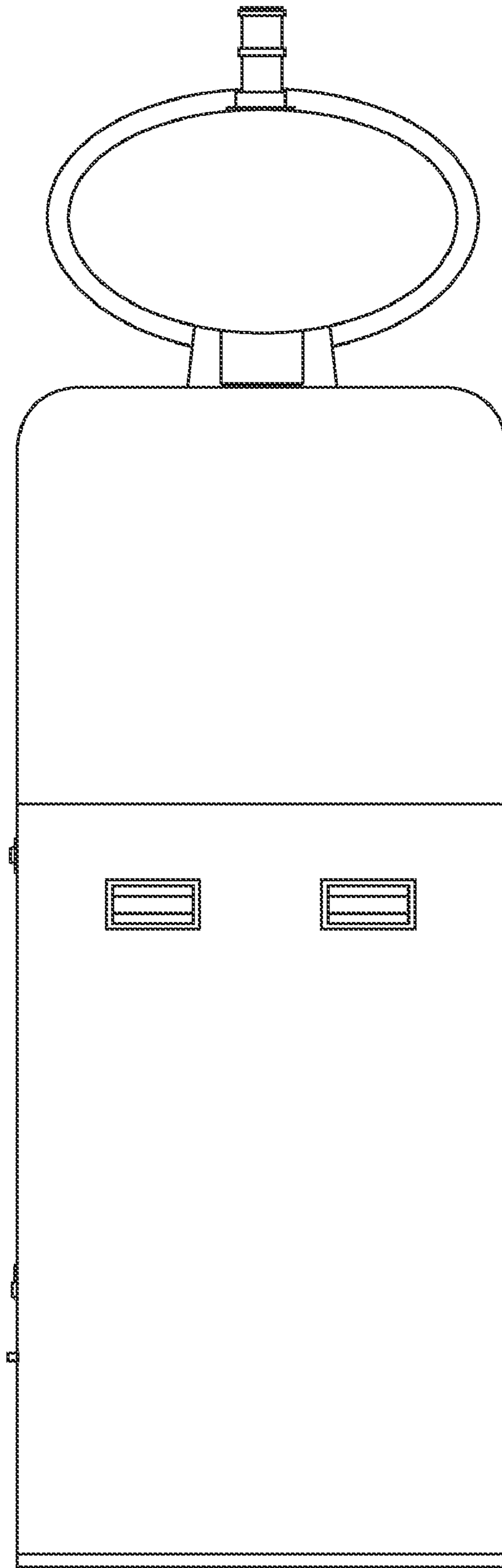


FIG. 3

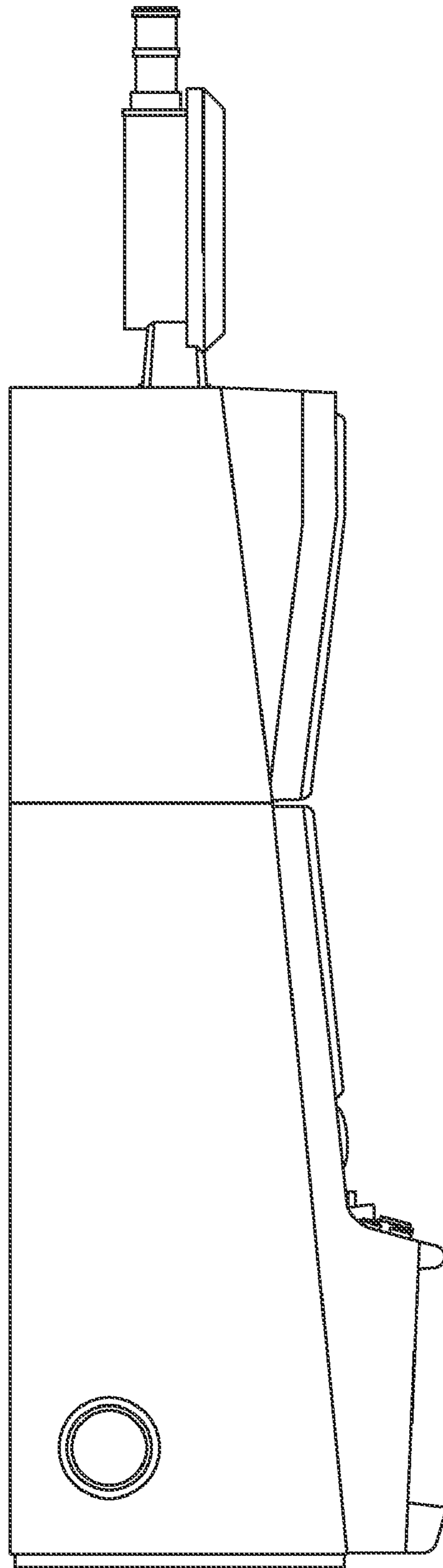


FIG. 4

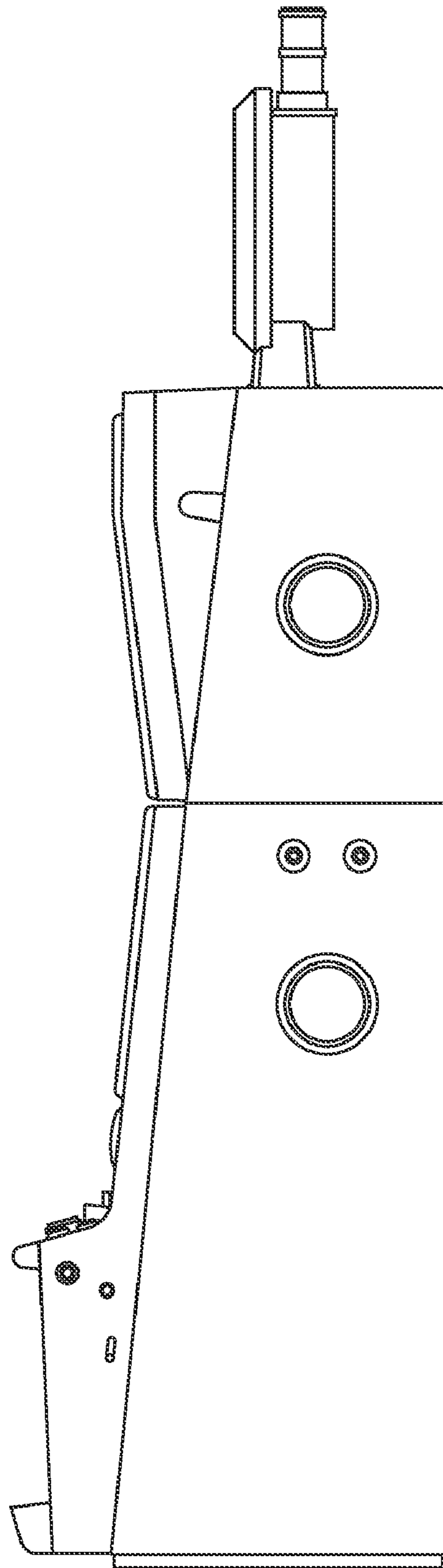


FIG. 5

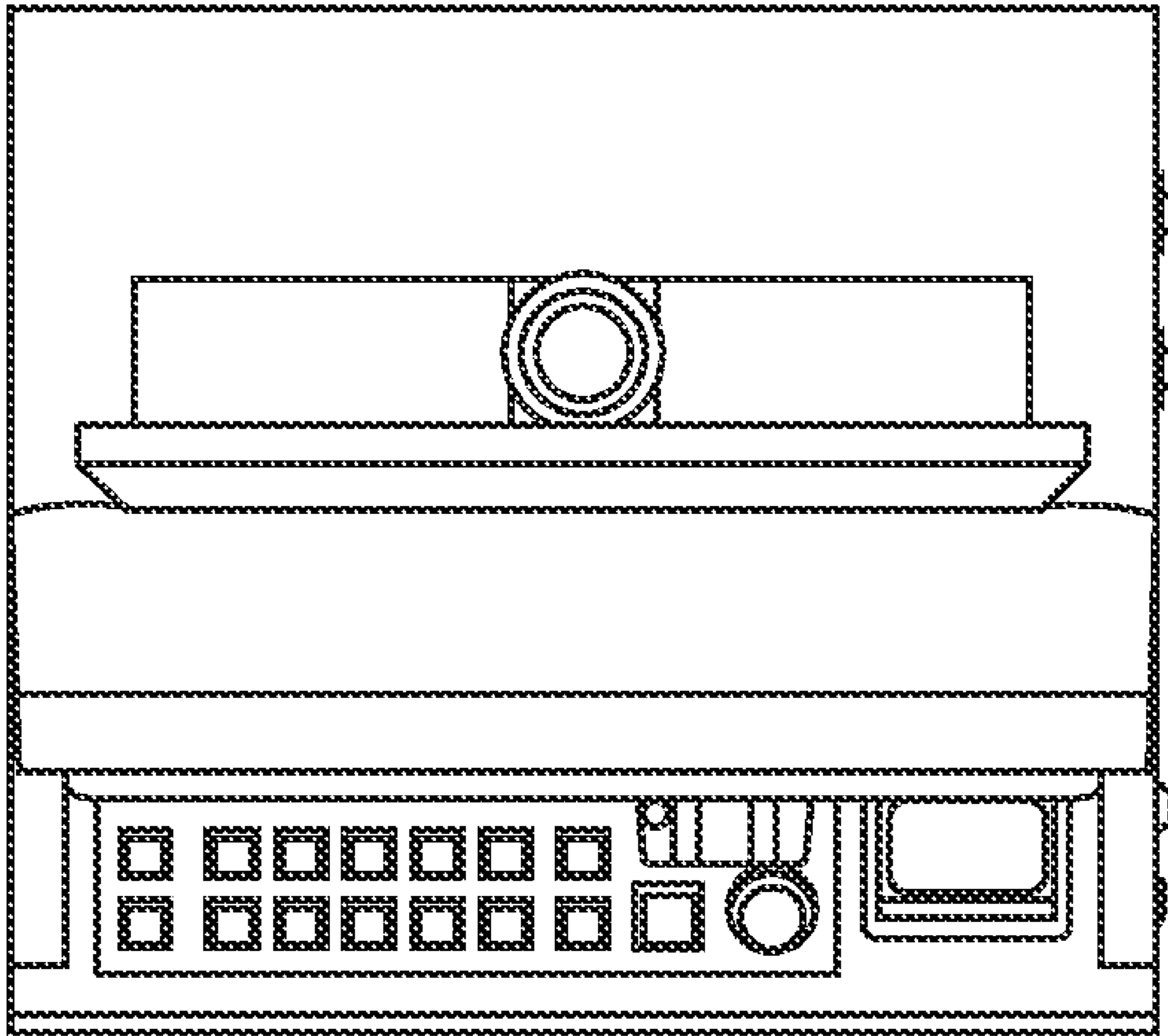


FIG. 6

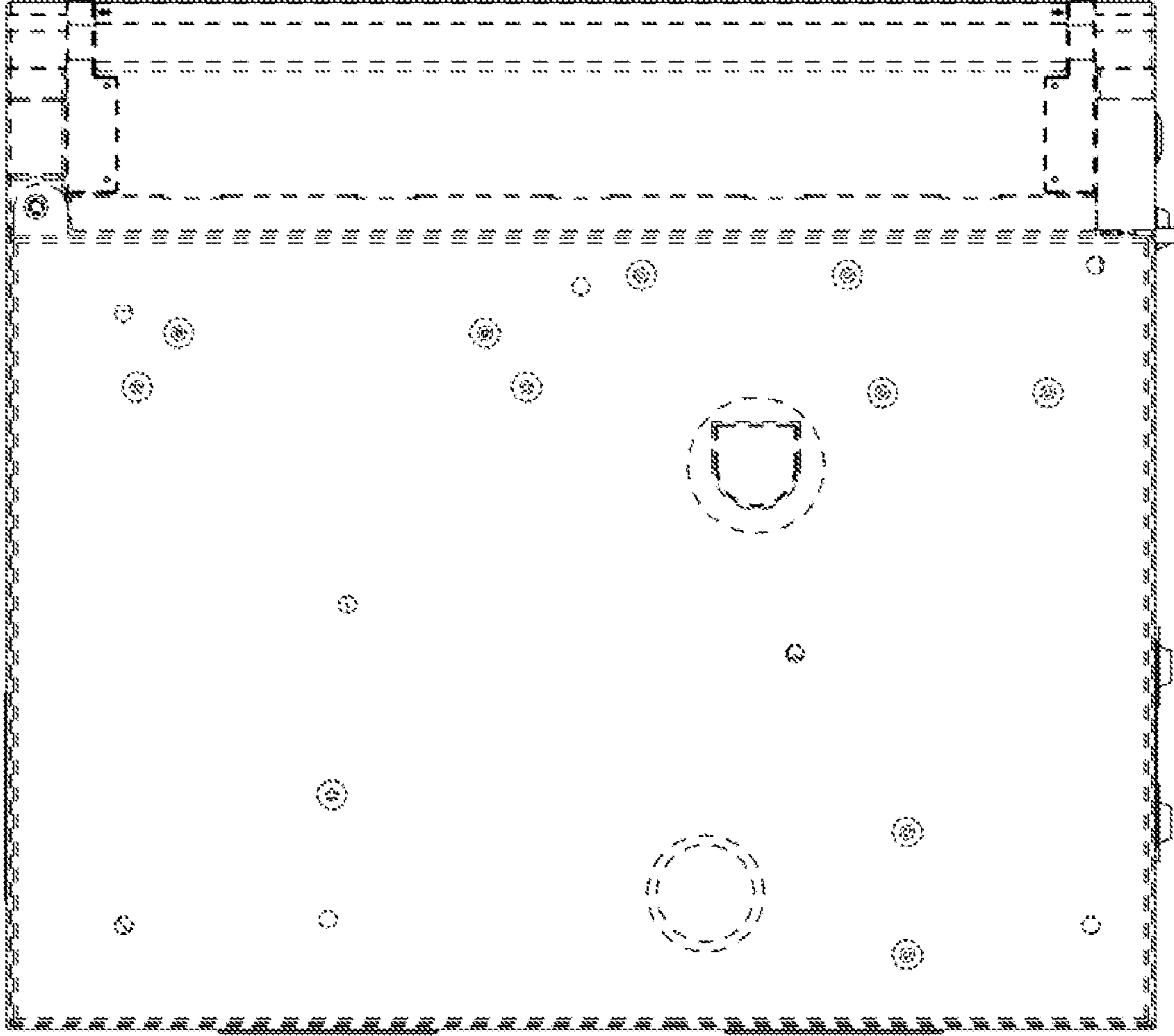


FIG. 7