



US00D619176S

(12) **United States Design Patent**
VanOeveren

(10) **Patent No.:** **US D619,176 S**

(45) **Date of Patent:** **** Jul. 6, 2010**

(54) **NEON SIGN WITH CLOCK**

(75) Inventor: **Ronald P. VanOeveren**, Gretna, NE
(US)

(73) Assignee: **Cornhusker Sign Manufacturing Corp.**, Gretna, NE (US)

(**) Term: **14 Years**

(21) Appl. No.: **29/330,215**

(22) Filed: **Dec. 31, 2008**

(51) **LOC (9) Cl.** **20-03**

(52) **U.S. Cl.** **D20/20; D10/2; D10/21;**
D20/42

(58) **Field of Classification Search** D20/10,
D20/18-20, 29, 36, 42, 99; 40/406, 427,
40/433, 446, 538, 541, 545, 553, 558, 581,
40/584, 600, 617; D10/1, 2, 21, 28, 109;
362/812

See application file for complete search history.

(56) **References Cited**

U.S. PATENT DOCUMENTS

- D118,145 S * 12/1939 Shapiro D20/20
- D118,450 S * 1/1940 Landau D20/20
- D120,596 S * 5/1940 Strauss D20/20
- D132,009 S * 4/1942 Blankenship D20/42

- D155,328 S * 9/1949 Baker D20/42
- D162,596 S * 3/1951 Trame D20/10
- 2,554,063 A * 5/1951 Serrine 40/433
- D190,961 S * 7/1961 Florian D10/1
- D496,966 S * 10/2004 Ulrich D20/42

* cited by examiner

Primary Examiner—Janice E Seeger

Assistant Examiner—Mary Ann Calabrese

(74) *Attorney, Agent, or Firm*—Suiter Swantz pc llo

(57) **CLAIM**

The ornamental design for a neon sign with clock, as shown and described.

DESCRIPTION

FIG. 1 is an isometric view showing my new design;

FIG. 2 is a top view thereof;

FIG. 3 is front view thereof;

FIG. 4 is a left side view thereof;

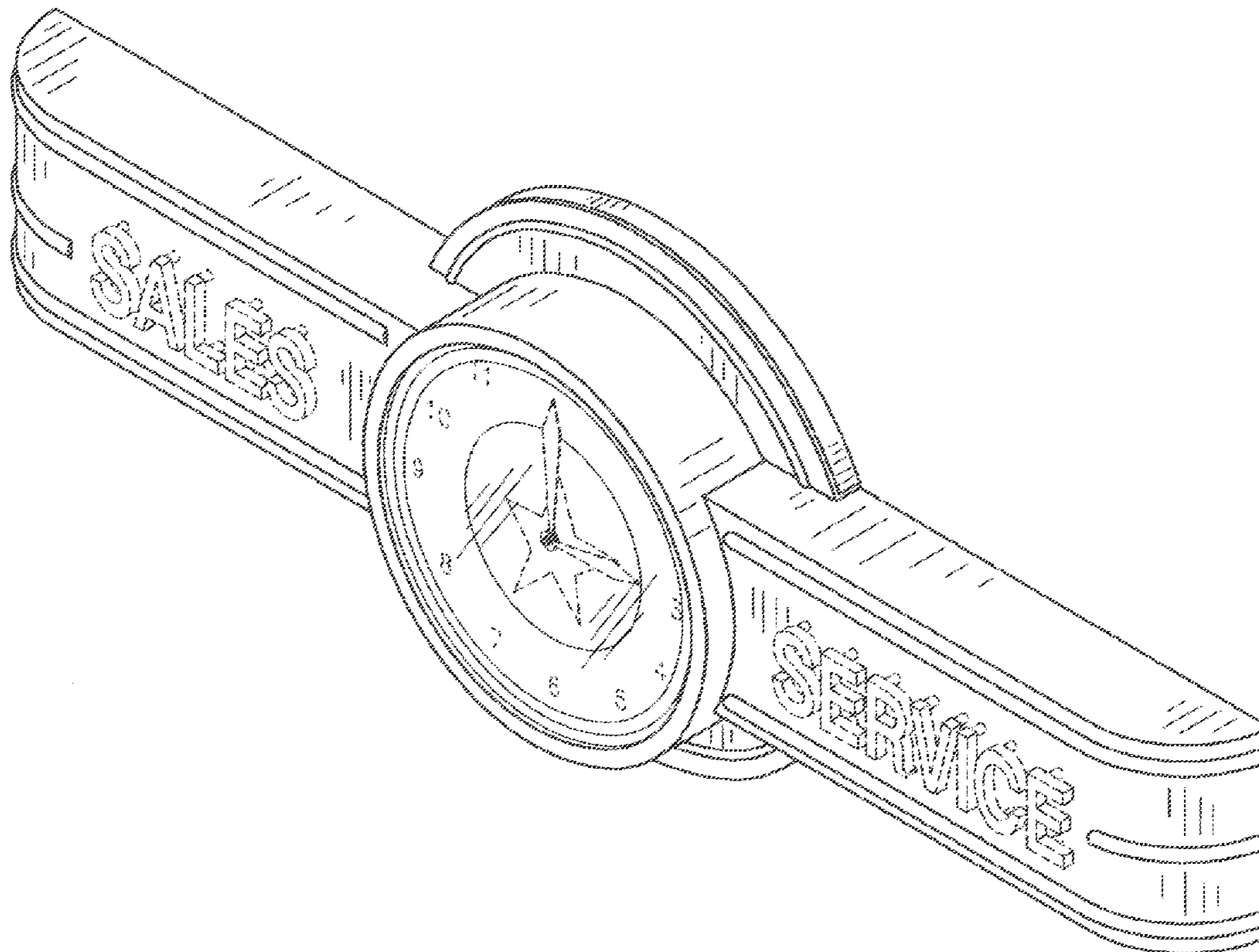
FIG. 5 is a bottom view thereof;

FIG. 6 is a rear view thereof; and,

FIG. 7 is a right side view.

The broken lines on the sign and the clock face form no part of the claimed design.

1 Claim, 3 Drawing Sheets



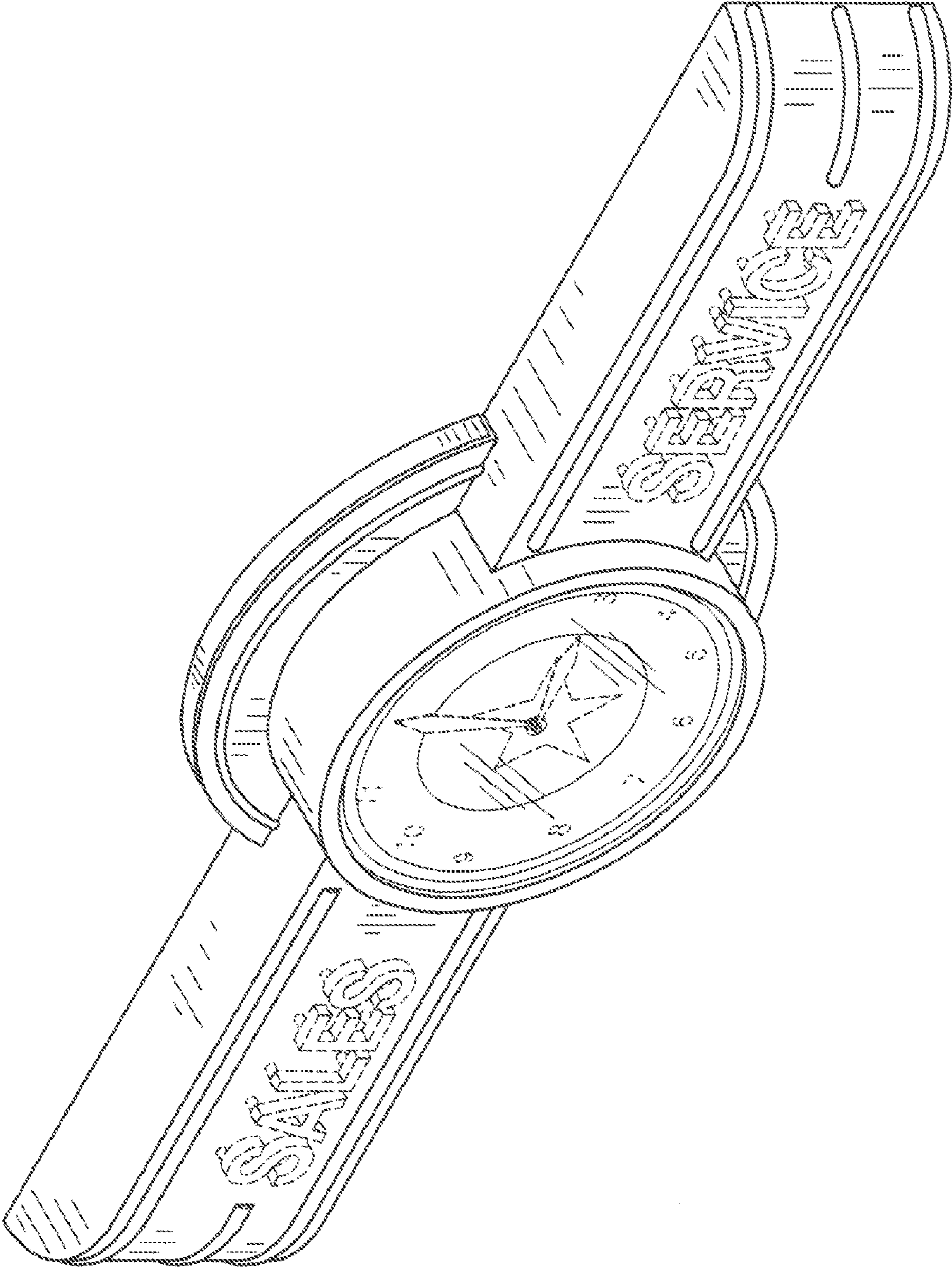


FIG. 1

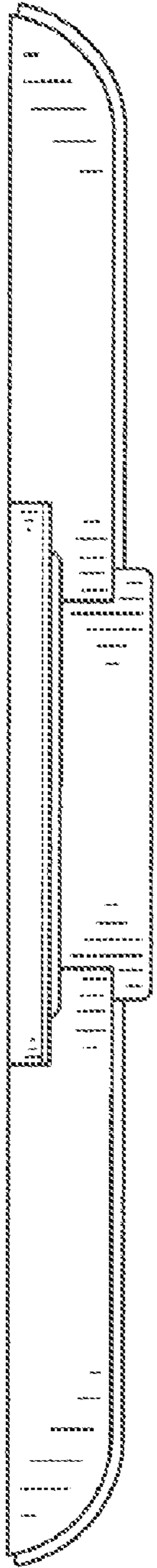


FIG. 2

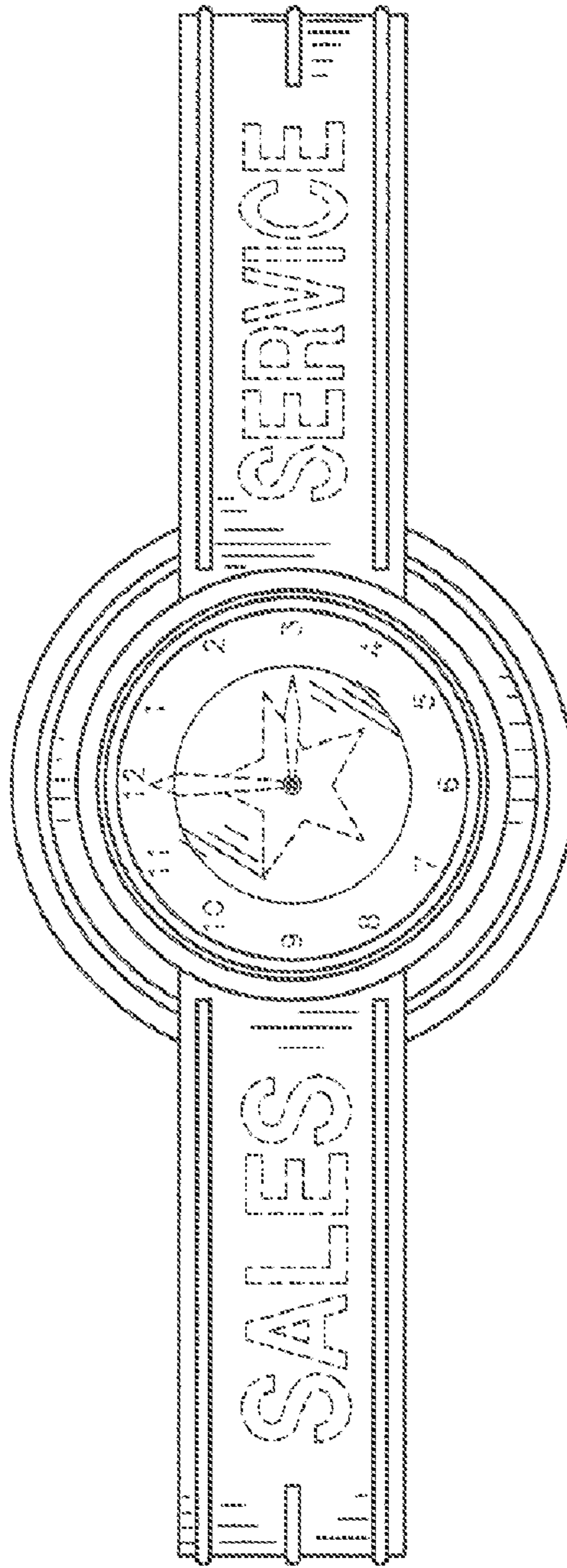


FIG. 4

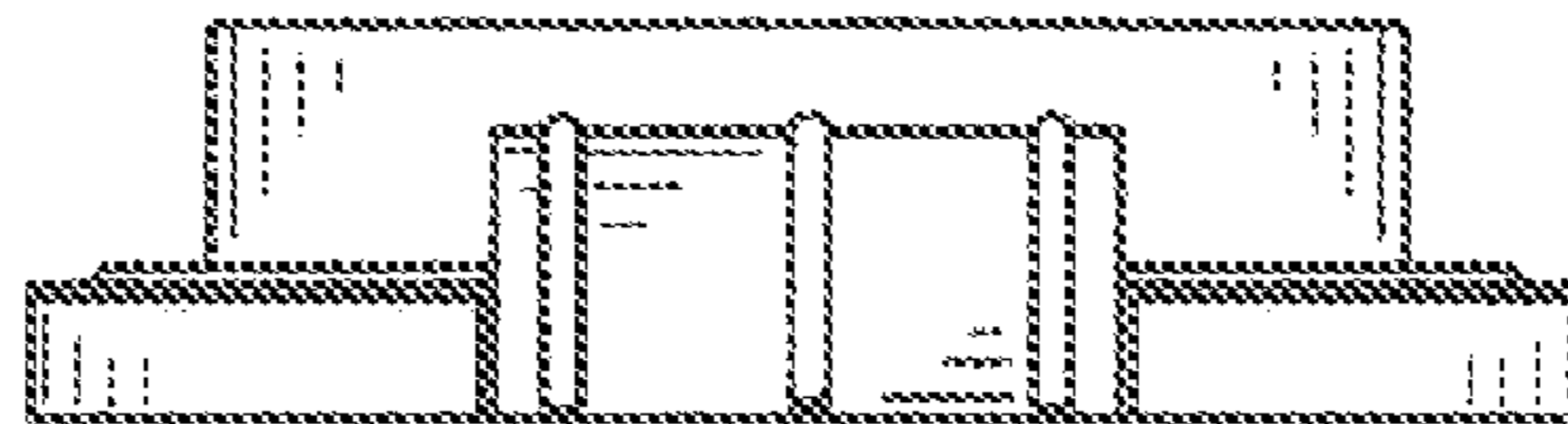


FIG. 3

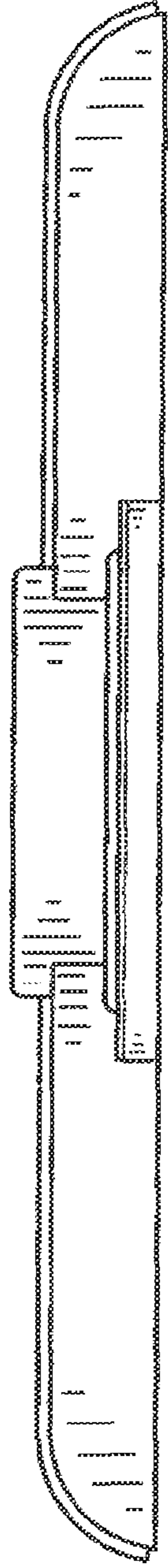


FIG. 5

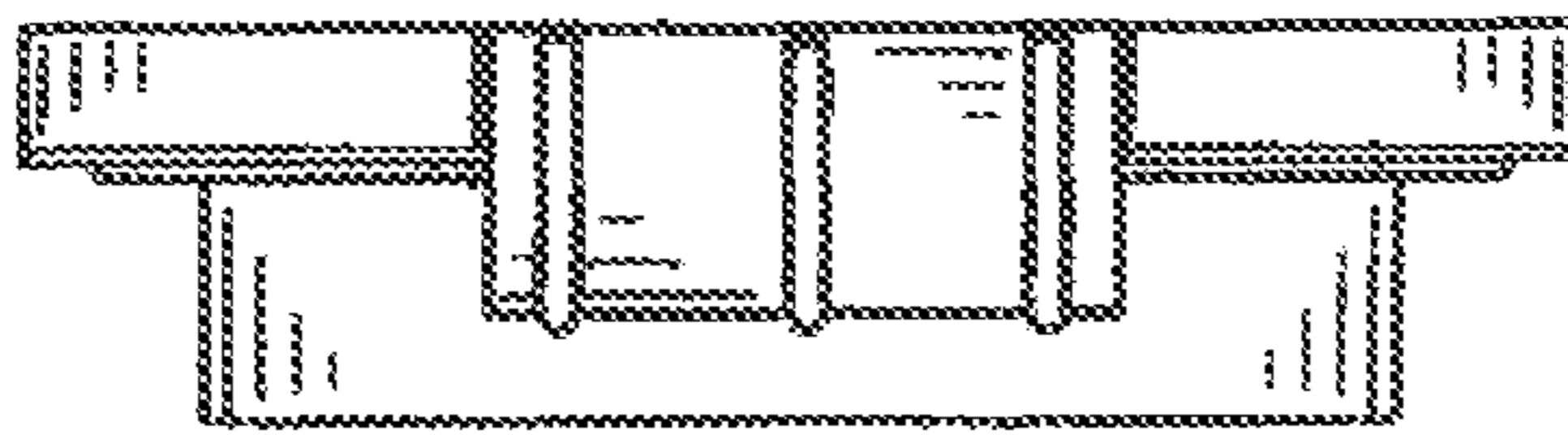


FIG. 6

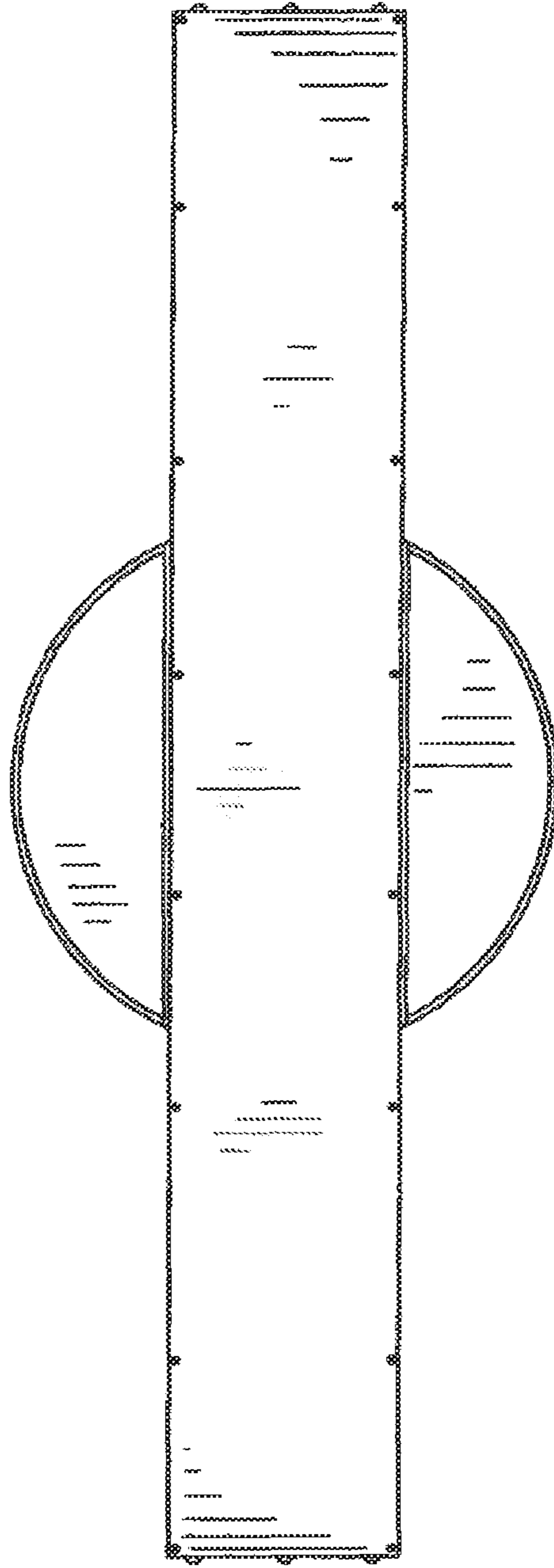


FIG. 7