



US00D619175S

(12) **United States Design Patent**
Isozaki et al.

(10) **Patent No.:** **US D619,175 S**
(45) **Date of Patent:** **** Jul. 6, 2010**

(54) **PAPER PUNCH**

(75) Inventors: **Ko Isozaki**, Tokyo (JP); **Megumi Tanabe**, Tokyo (JP)

(73) Assignee: **Plus Stationery Corp.**, Tokyo (JP)

(**) Term: **14 Years**

(21) Appl. No.: **29/326,954**

(22) Filed: **Oct. 28, 2008**

(51) **LOC (9) Cl.** **19-02**

(52) **U.S. Cl.** **D19/72**

(58) **Field of Classification Search** D8/98;
D19/72; 83/167, 467.1, 468, 468.2, 549,
83/588, 618, 620, 633, 651, 684

See application file for complete search history.

(56) **References Cited**

U.S. PATENT DOCUMENTS

71,259 A *	11/1867	Yeager	83/651
149,409 A *	4/1874	Lumbert	83/471.3
2,534,094 A *	12/1950	Yerkes	83/449
D183,154 S *	7/1958	Aleks	D19/72
4,449,436 A *	5/1984	Semerjian et al.	83/571
D386,528 S *	11/1997	Mori	D19/72
D567,861 S *	4/2008	Chen et al.	D19/72
D571,406 S *	6/2008	Chen et al.	D19/72
2004/0069110 A1 *	4/2004	Godston et al.	83/627
2009/0133560 A1 *	5/2009	Chen et al.	83/588

OTHER PUBLICATIONS

Plus Stationery power-assisted 2-hole punch #PU-815A, as shown on http://bungu.plus.co.jp/sta/english/dealer/pdf/PLUS_Flyer_punch_B.pdf, viewed Jun. 29, 2009 (1 page).*

* cited by examiner

Primary Examiner—Elizabeth A Albert

Assistant Examiner—Karen E Eldridge Powers

(74) *Attorney, Agent, or Firm*—William J. Sapone; Coleman Sudol Sapone P.C.

(57) **CLAIM**

We claim the ornamental design of a paper punch, as shown and described.

DESCRIPTION

FIG. 1 is a rear perspective view of the paper punch showing my new design;

FIG. 2 is a front perspective view thereof;

FIG. 3 is a front view thereof;

FIG. 4 is a rear view thereof;

FIG. 5 is a right side view thereof;

FIG. 6 is a left side view thereof;

FIG. 7 is a top view thereof;

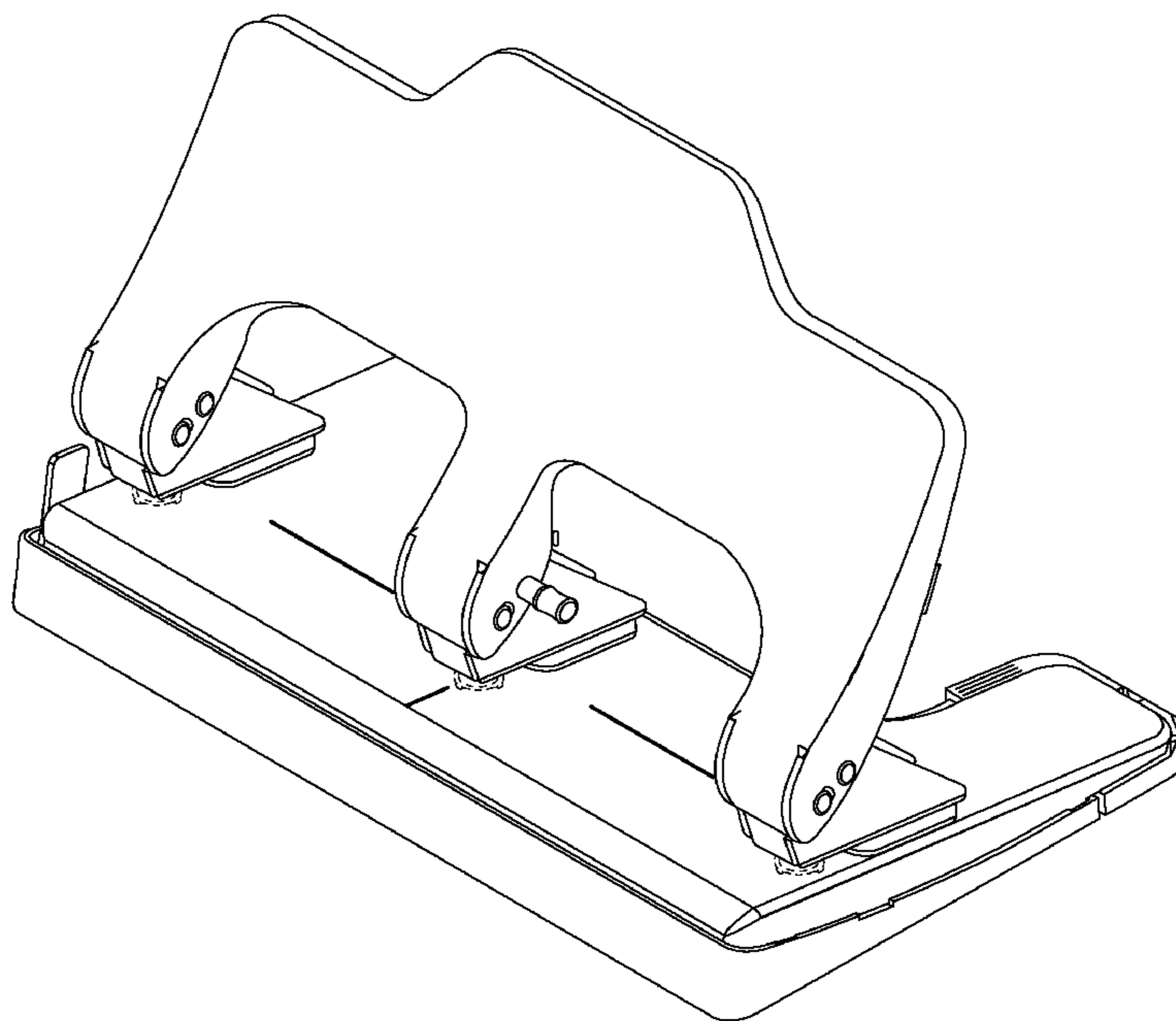
FIG. 8 is a bottom view thereof;

FIG. 9 is a right side view of the paper punch, as seen during punching; and,

FIG. 10 is a front perspective view of the paper punch, as seen during punching.

The broken lines shown in the drawings illustrate environmental matter and form no part of the claimed design.

1 Claim, 7 Drawing Sheets



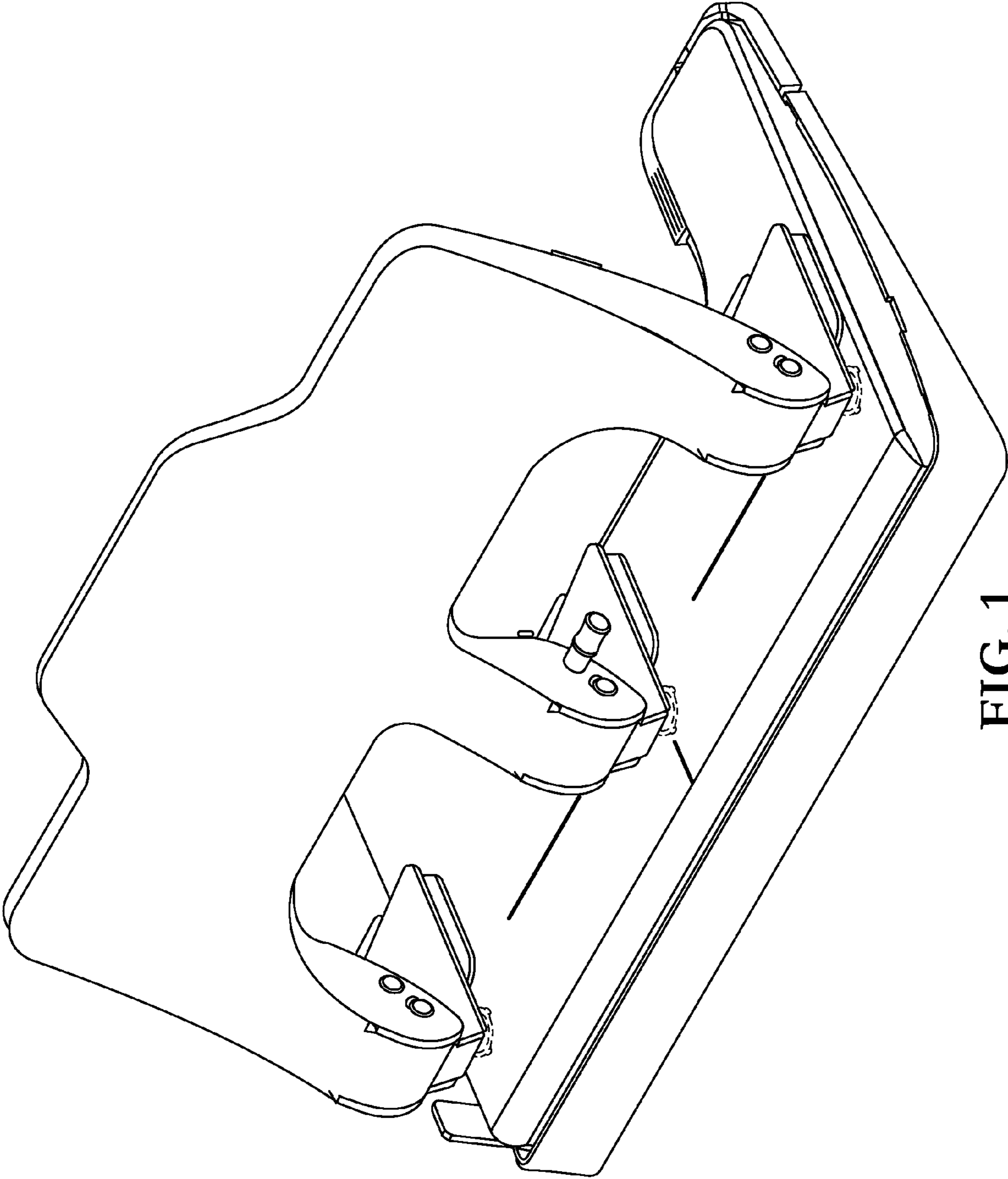


FIG. 1

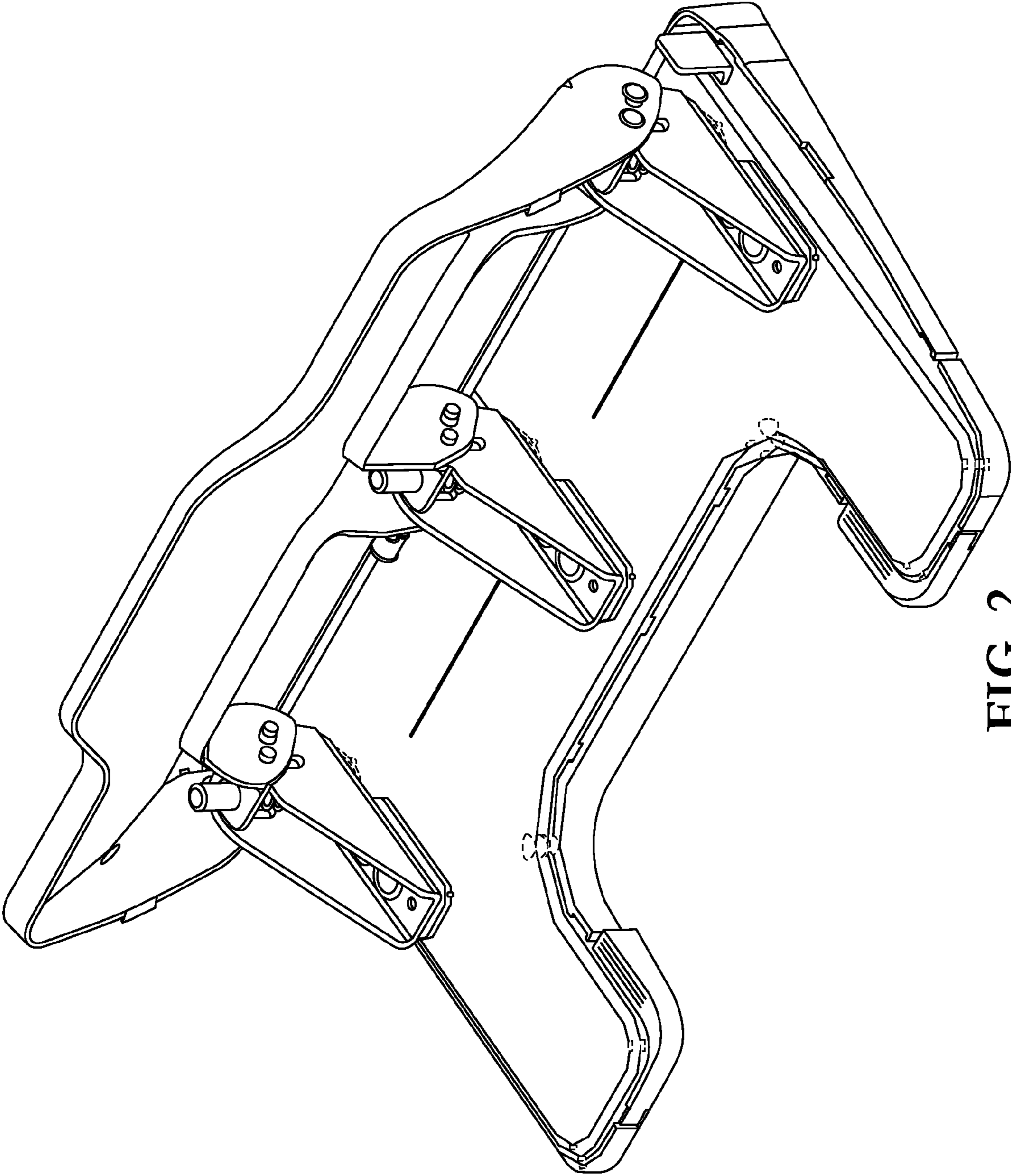


FIG. 2

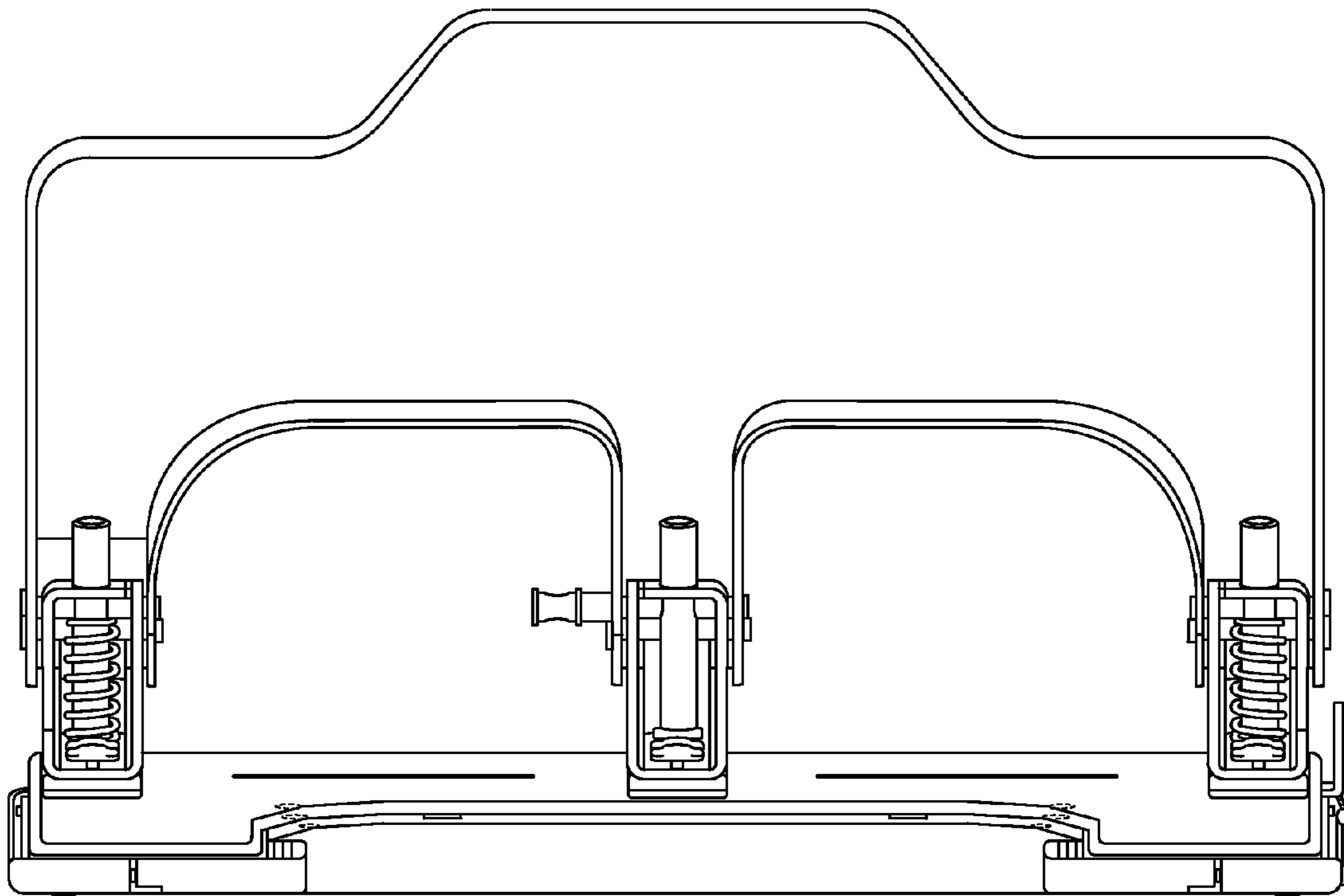


FIG. 3

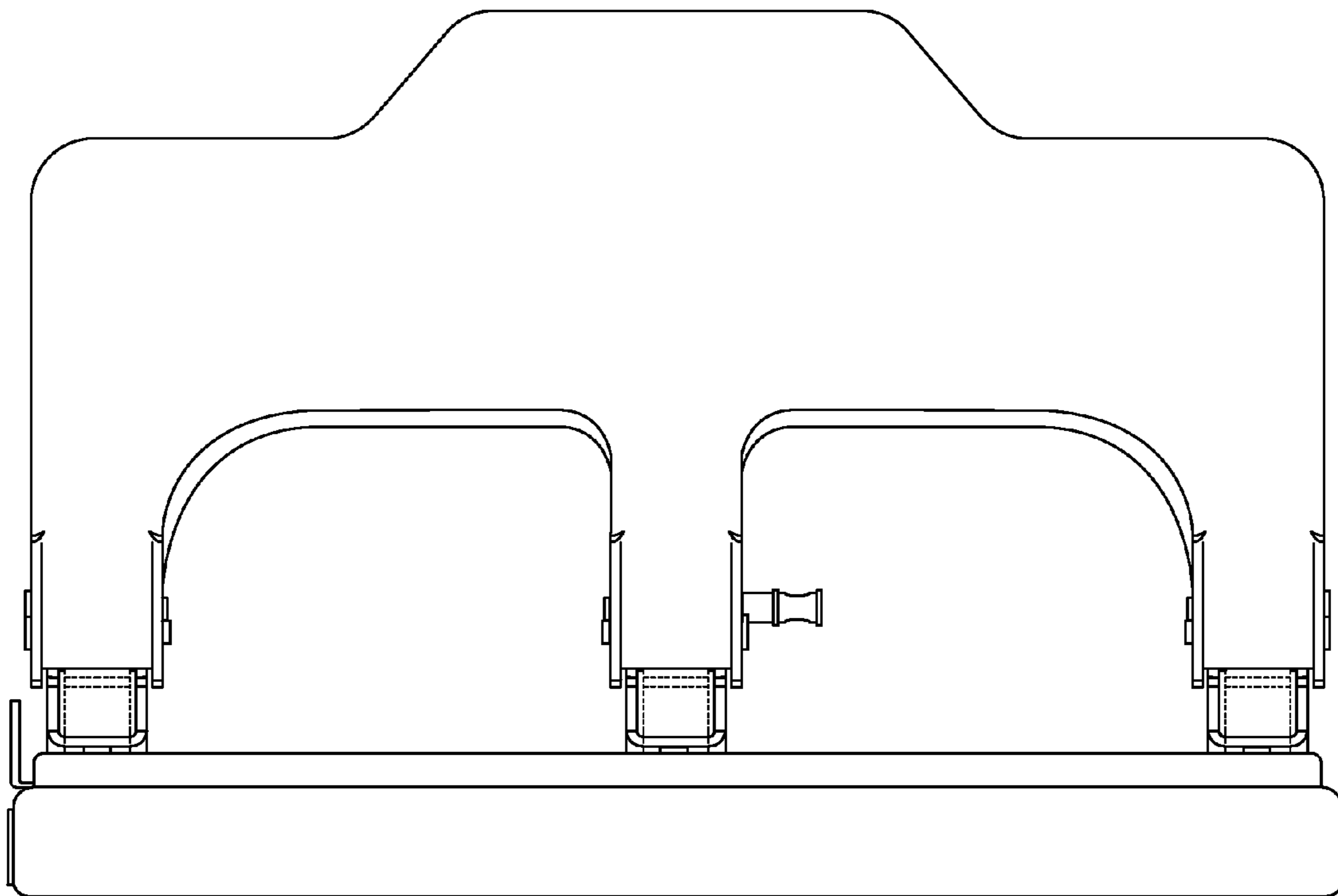


FIG. 4

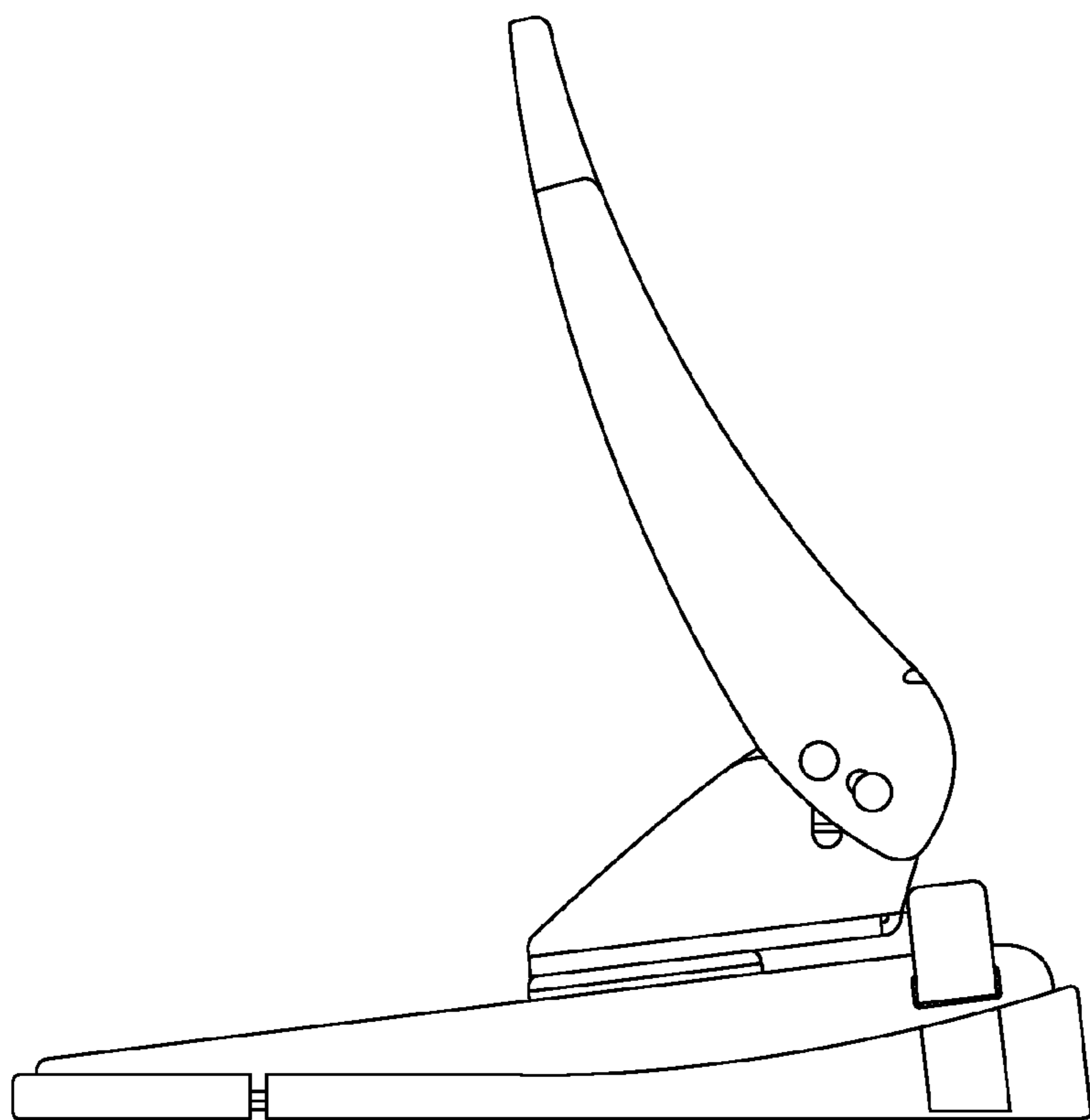


FIG. 5

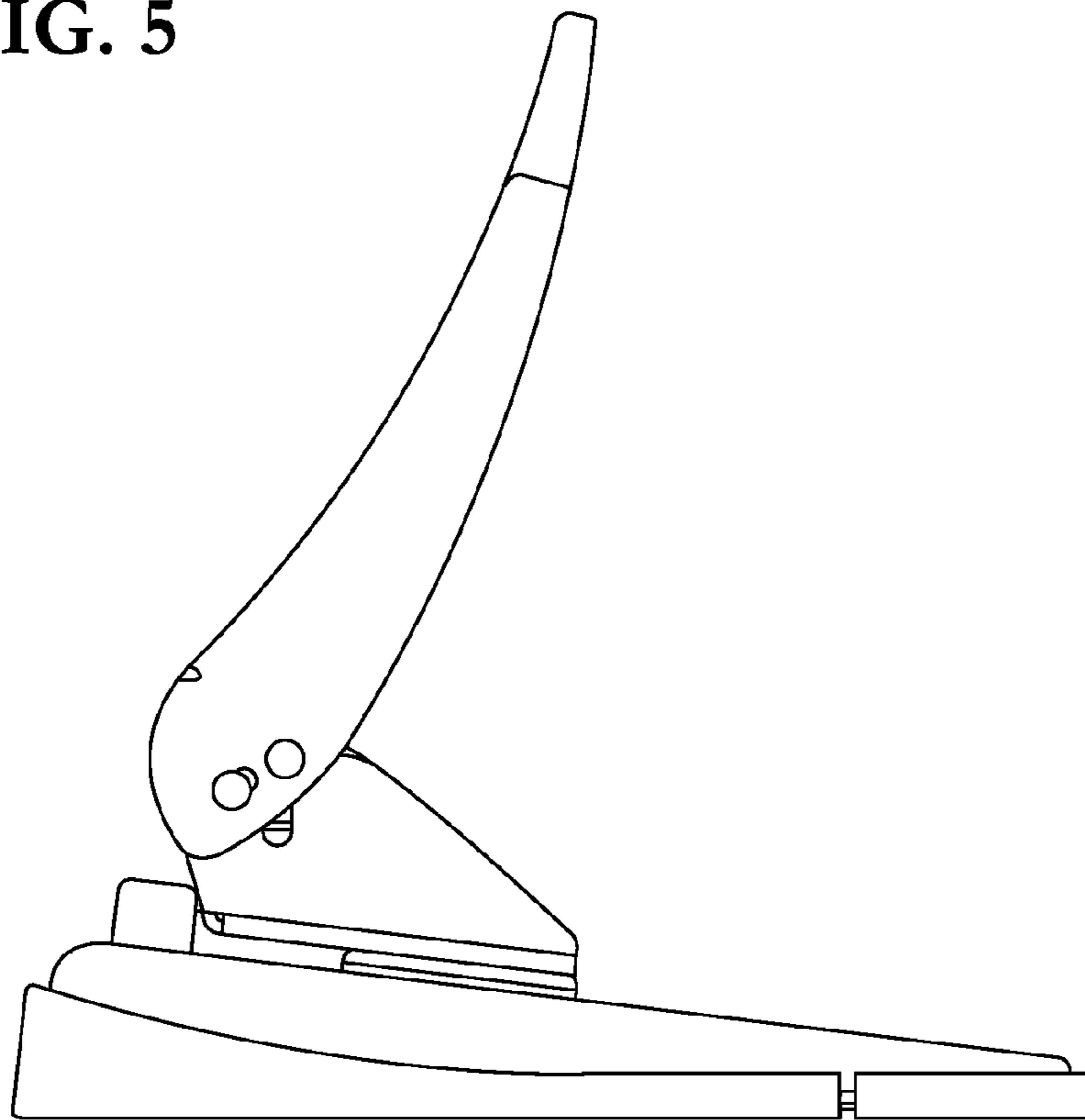


FIG. 6

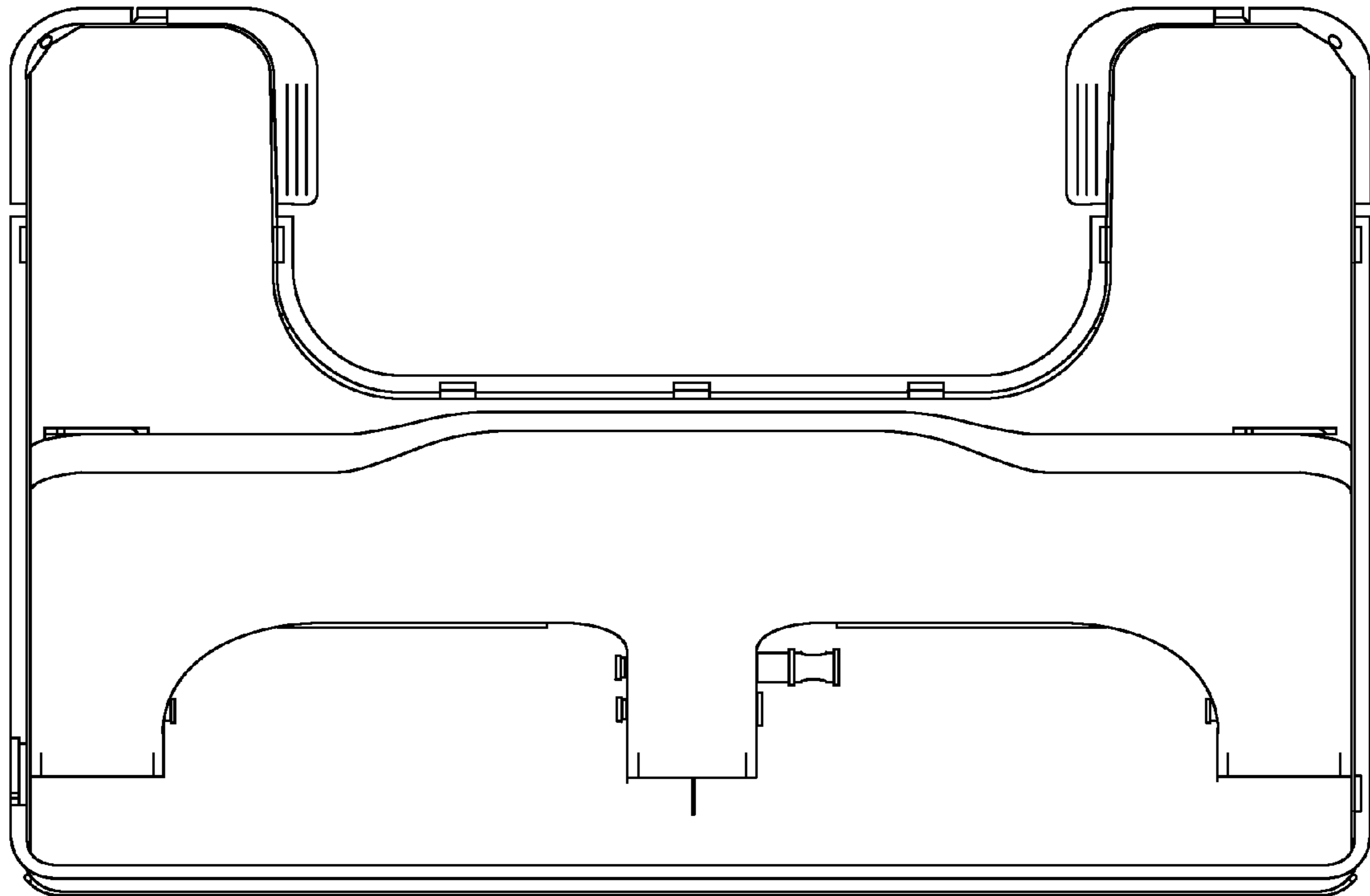


FIG. 7

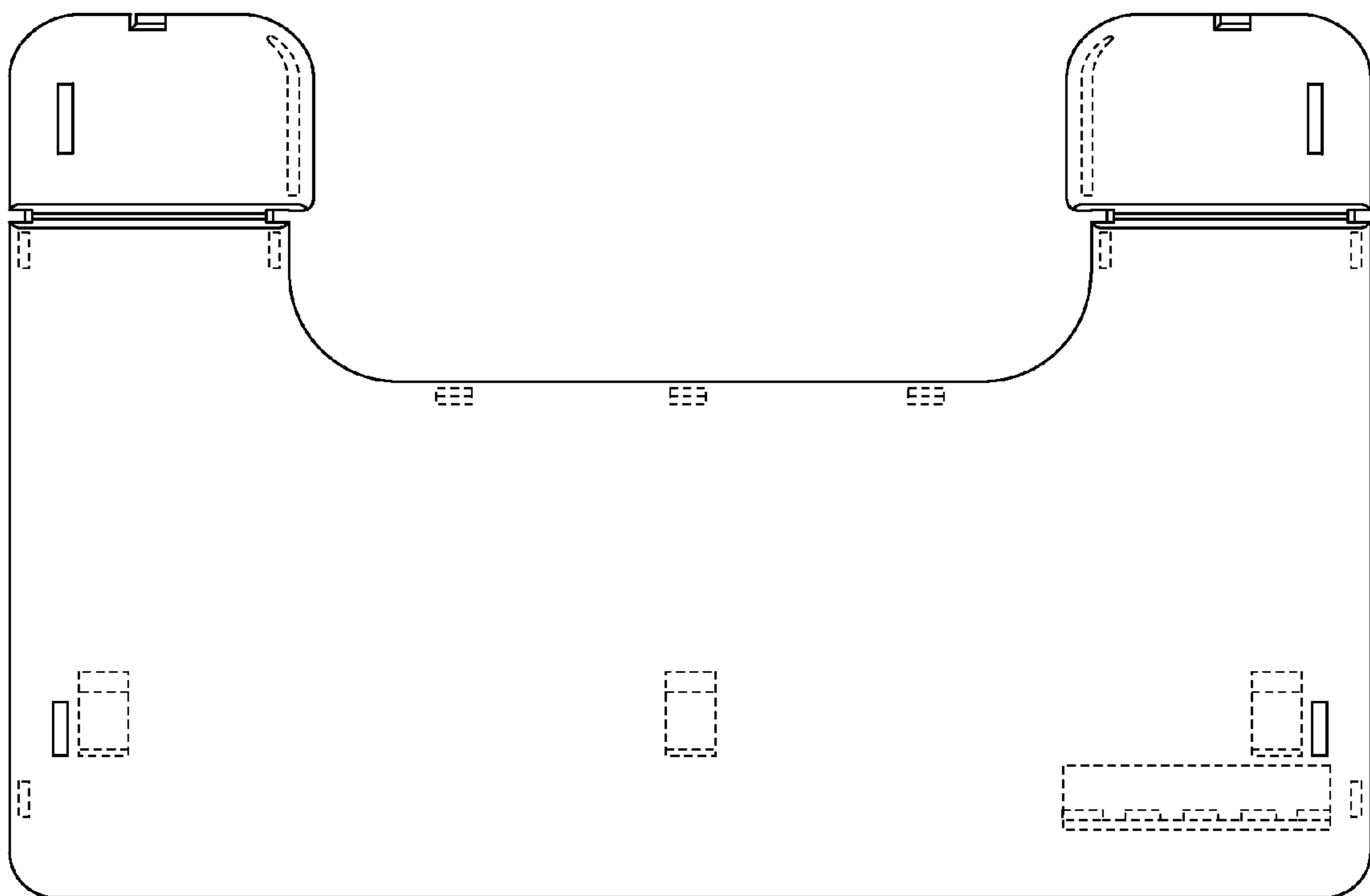


FIG. 8

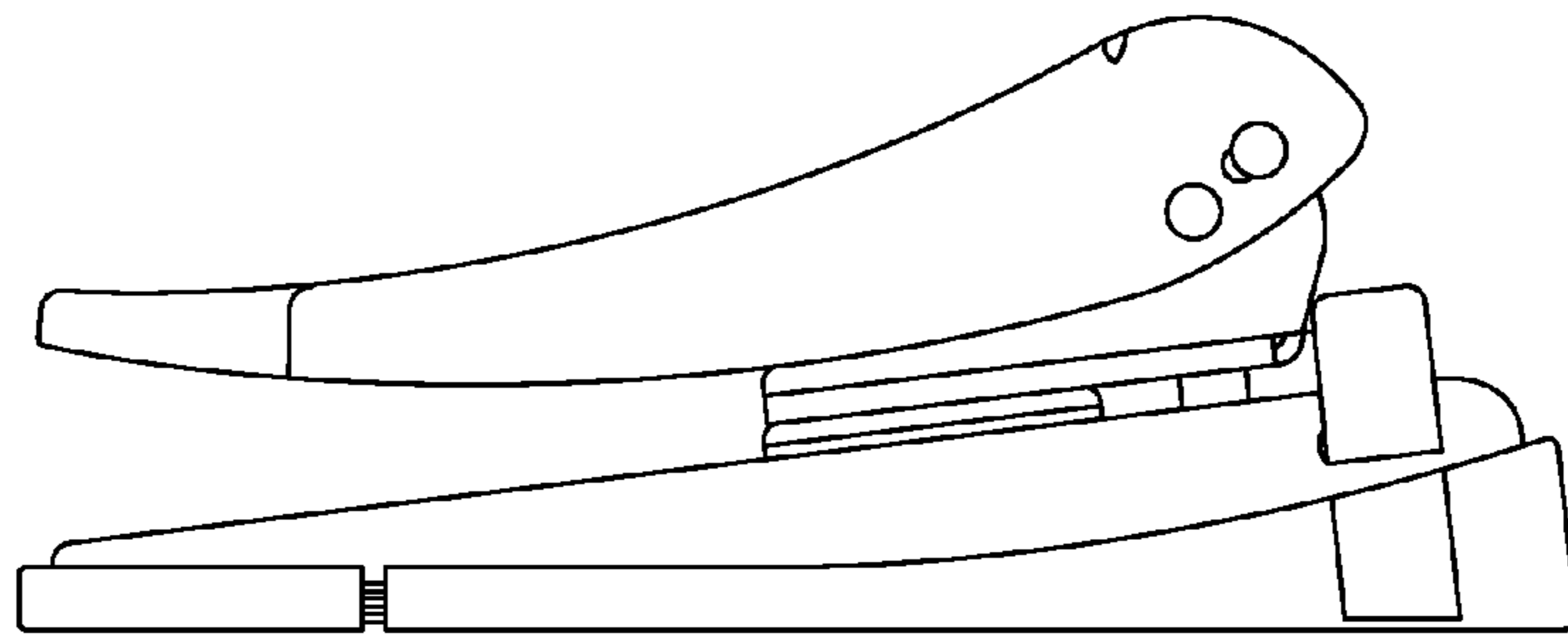


FIG. 9

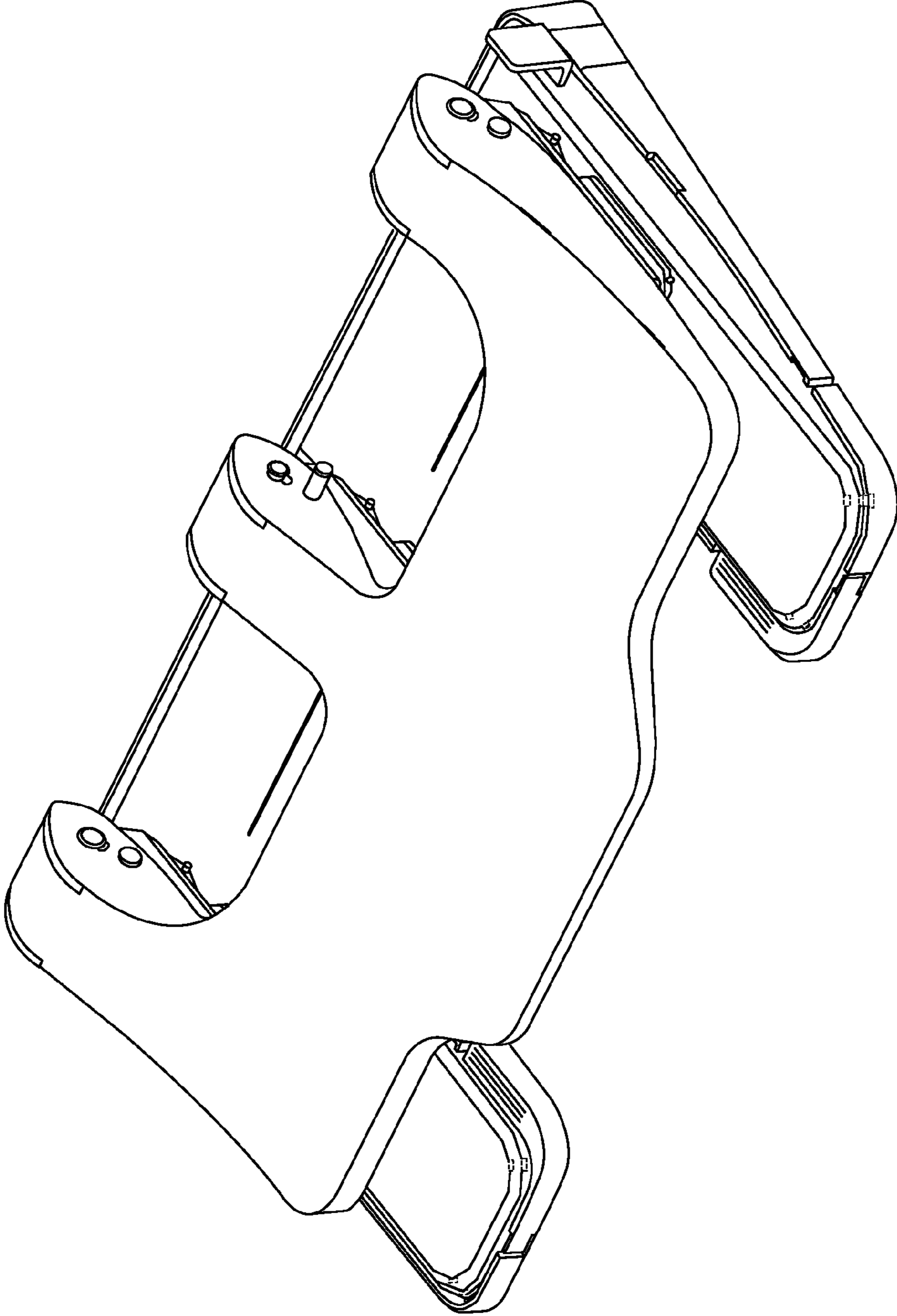


FIG. 10