



US00D619173S

(12) **United States Design Patent**  
**Chiu**

(10) **Patent No.:** **US D619,173 S**

(45) **Date of Patent:** **\*\* Jul. 6, 2010**

(54) **DUAL-PURPOSE TAPE DISPENSER**

(75) Inventor: **Tzu-Chin Chiu, Zhonghe (TW)**

(73) Assignee: **Caimon Enterprise Co., Ltd.,  
Changhua County (TW)**

(\*\*) Term: **14 Years**

(21) Appl. No.: **29/347,356**

(22) Filed: **Dec. 14, 2009**

(30) **Foreign Application Priority Data**

Aug. 12, 2009 (TW) ..... 98303737

(51) **LOC (9) Cl.** ..... **08-02**

(52) **U.S. Cl.** ..... **D19/69**

(58) **Field of Classification Search** ..... D19/36,  
D19/70, 69, 68; D13/133, 146; 242/588.6,  
242/588.3, 588.2; 225/77, 6, 56, 69, 26,  
225/25, 19, 11; 206/411; 156/577, 527,  
156/523

See application file for complete search history.

(56) **References Cited**

**U.S. PATENT DOCUMENTS**

D135,165 S \* 3/1943 Schieman ..... D19/69

D248,561 S \* 7/1978 Deering, Jr. .... D19/69

D289,180 S \* 4/1987 Crawford et al. .... D19/69

D404,430 S \* 1/1999 Shen ..... D19/69  
D486,521 S \* 2/2004 Crawford et al. .... D19/69  
D496,691 S \* 9/2004 Crawford et al. .... D19/69  
D541,865 S \* 5/2007 Kent et al. .... D19/69  
D541,866 S \* 5/2007 Kent et al. .... D19/69  
D568,399 S \* 5/2008 Yu Chen ..... D19/69  
D597,137 S \* 7/2009 Chiu ..... D19/69  
2006/0289594 A1 \* 12/2006 Yu Chen ..... 225/56

\* cited by examiner

*Primary Examiner*—Cathron C Brooks

*Assistant Examiner*—Austin Murphy

(74) *Attorney, Agent, or Firm*—Rosenberg, Klein & Lee

(57) **CLAIM**

The ornamental design for a “dual purpose tape dispenser,” as shown and described.

**DESCRIPTION**

FIG. 1 is a perspective view of a “dual purpose tape dispenser” showing my new design;

FIG. 2 is a front view thereof;

FIG. 3 is a rear view thereof;

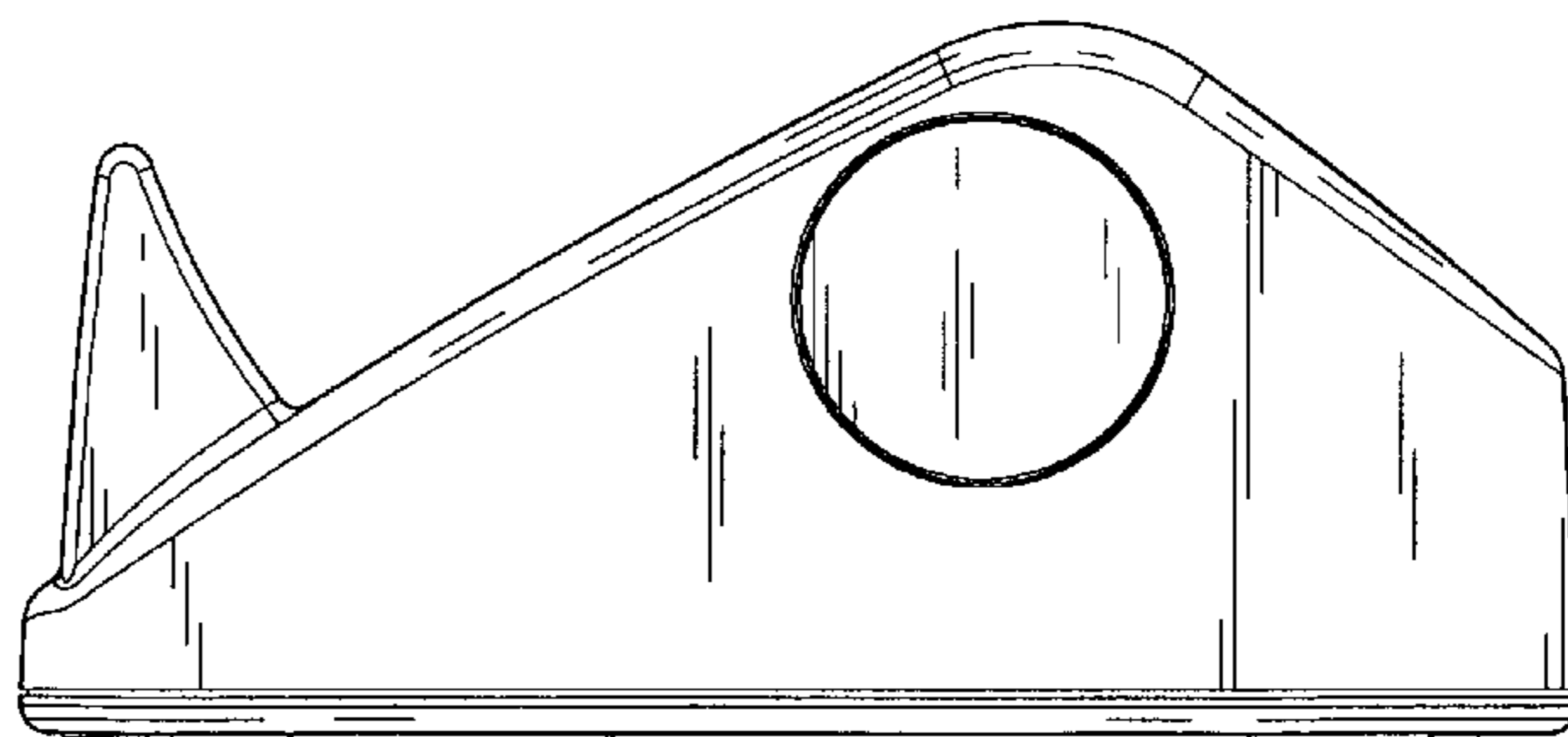
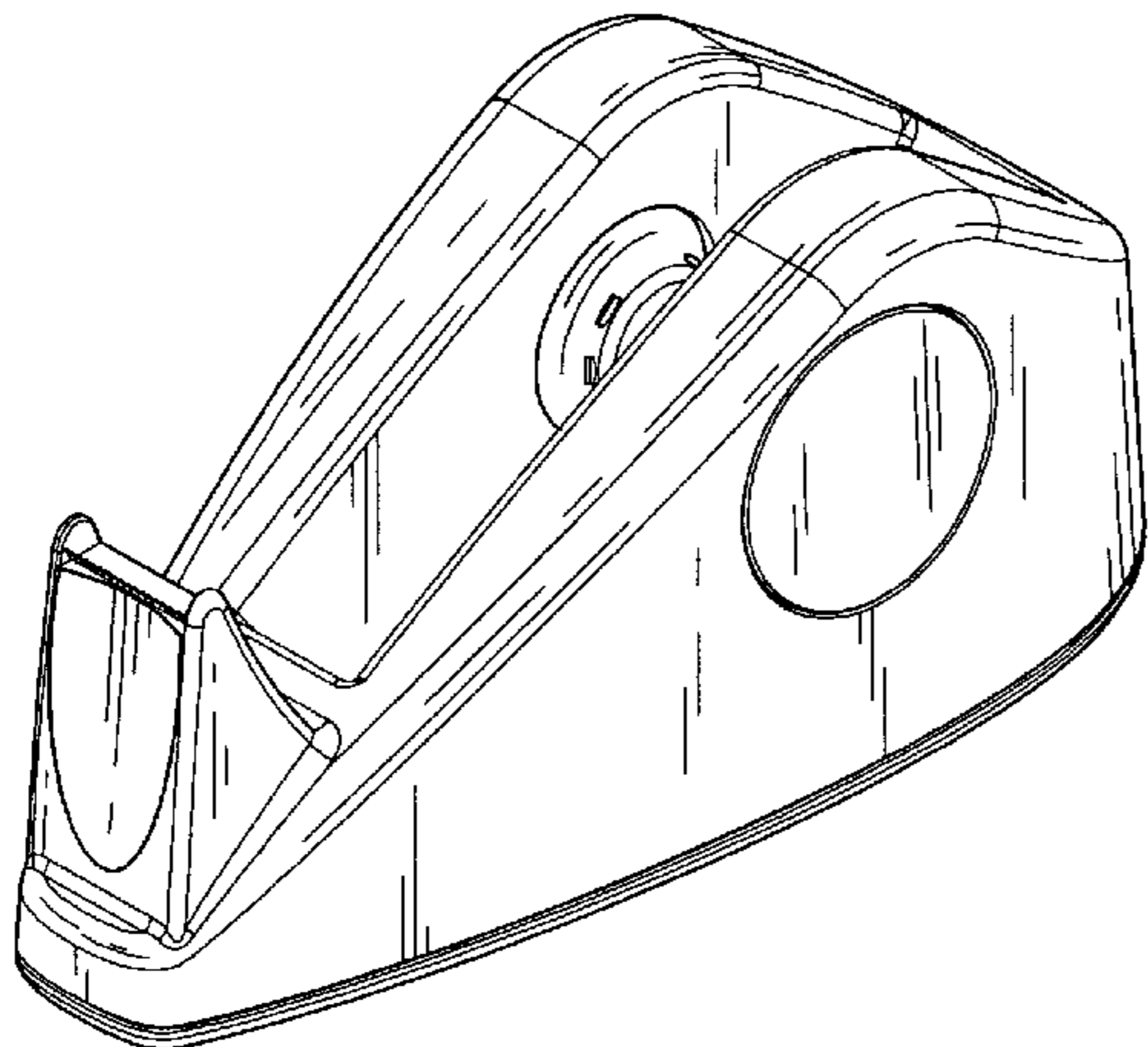
FIG. 4 is a left side view thereof;

FIG. 5 is a right side view thereof;

FIG. 6 is a top view thereof; and,

FIG. 7 is a bottom view thereof.

**1 Claim, 5 Drawing Sheets**



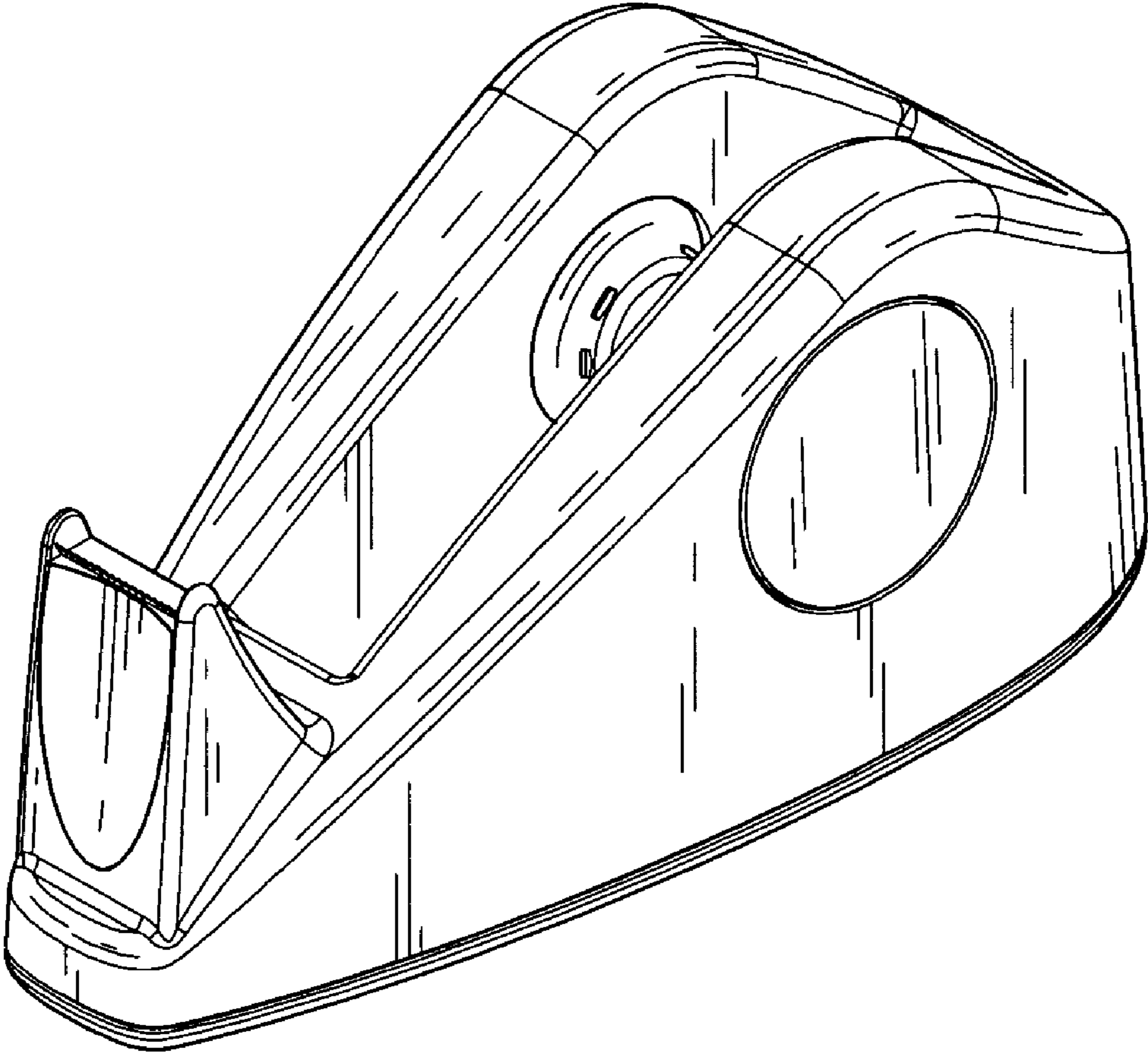


FIG. 1

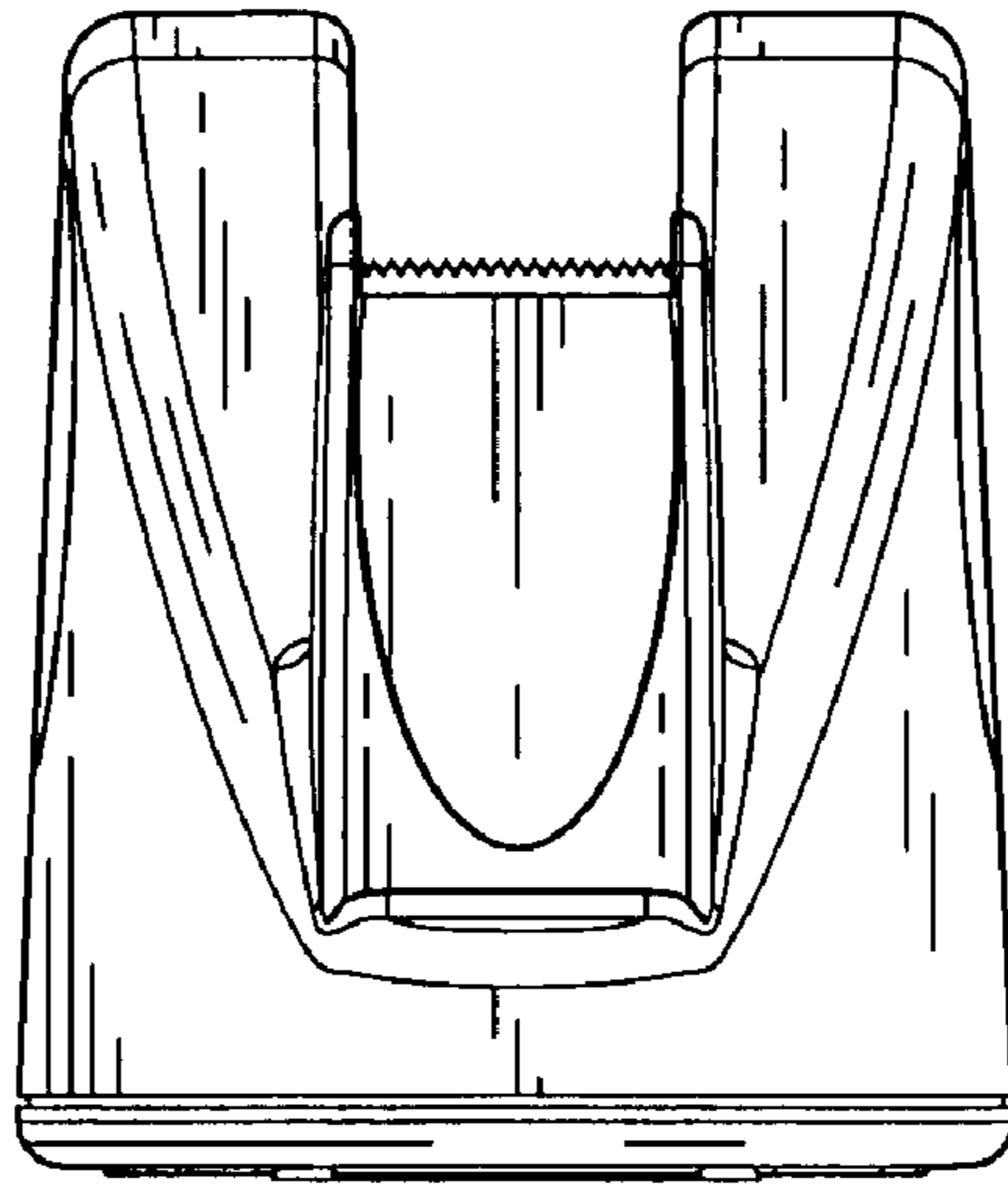


FIG. 2

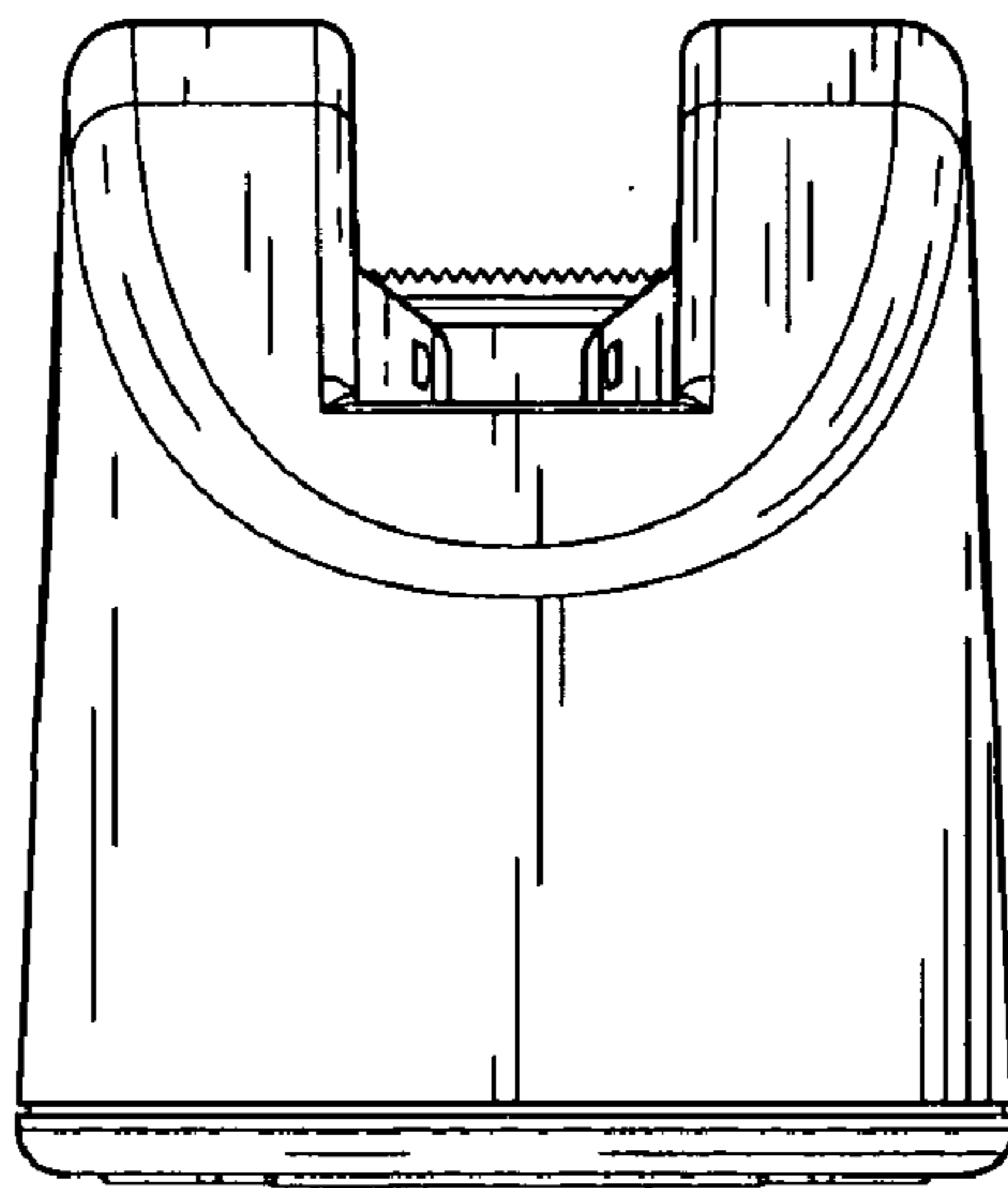


FIG. 3

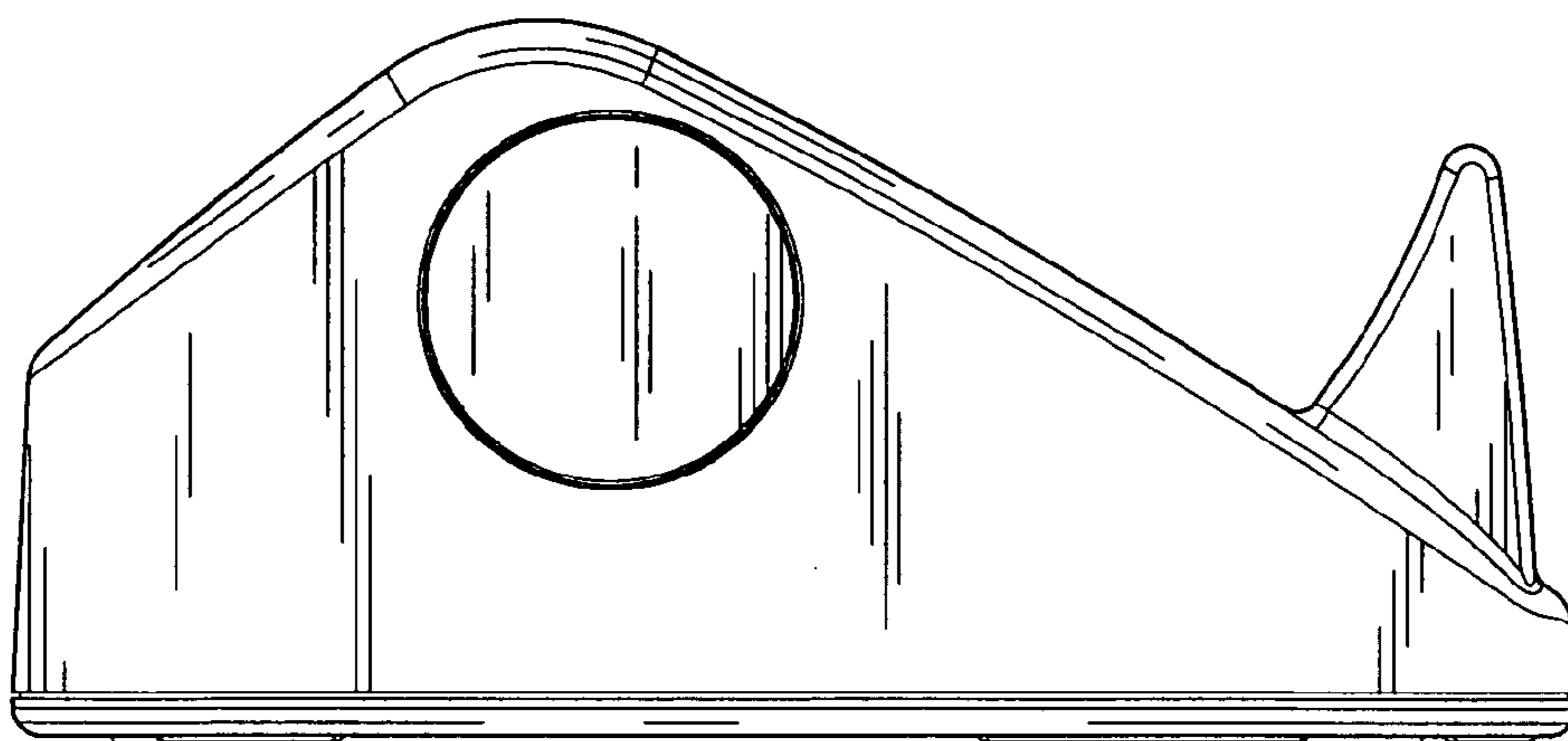


FIG. 4

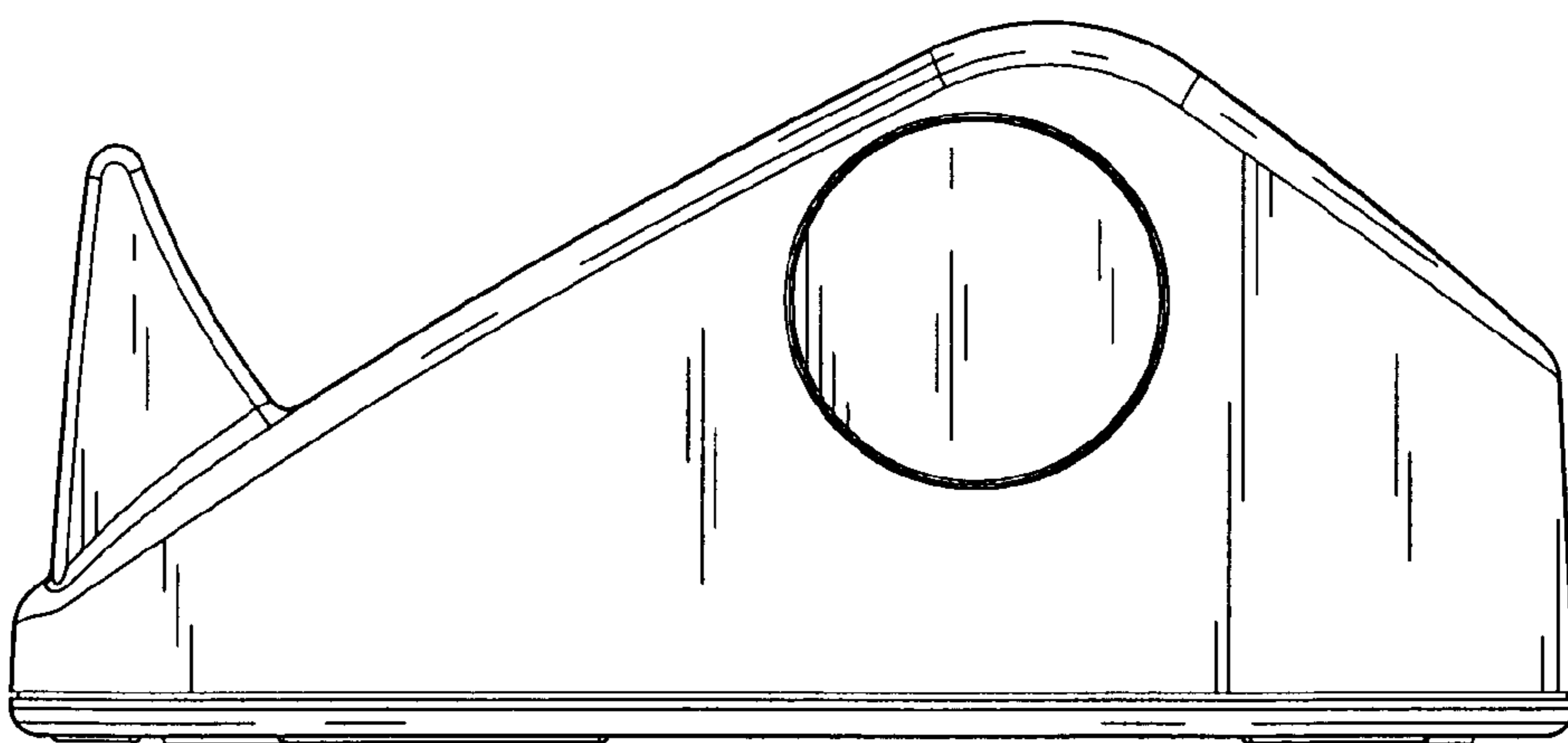


FIG. 5

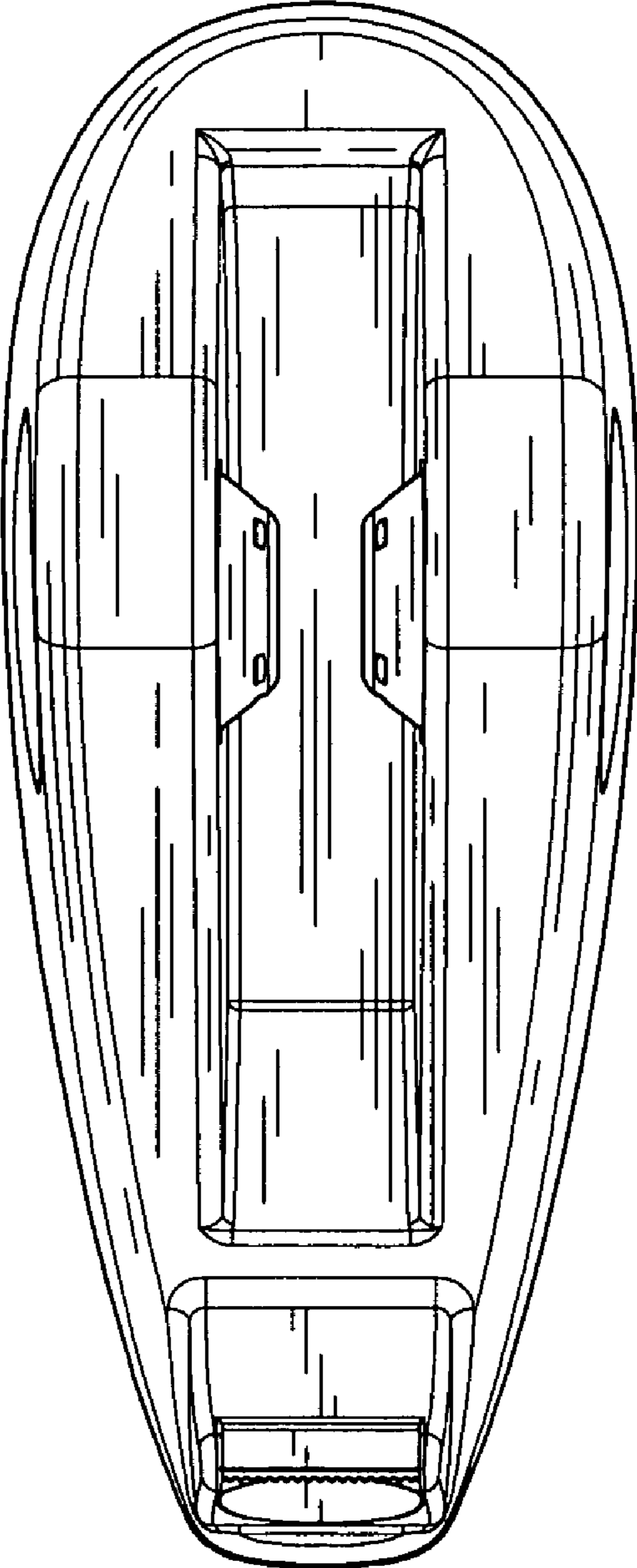


FIG. 6

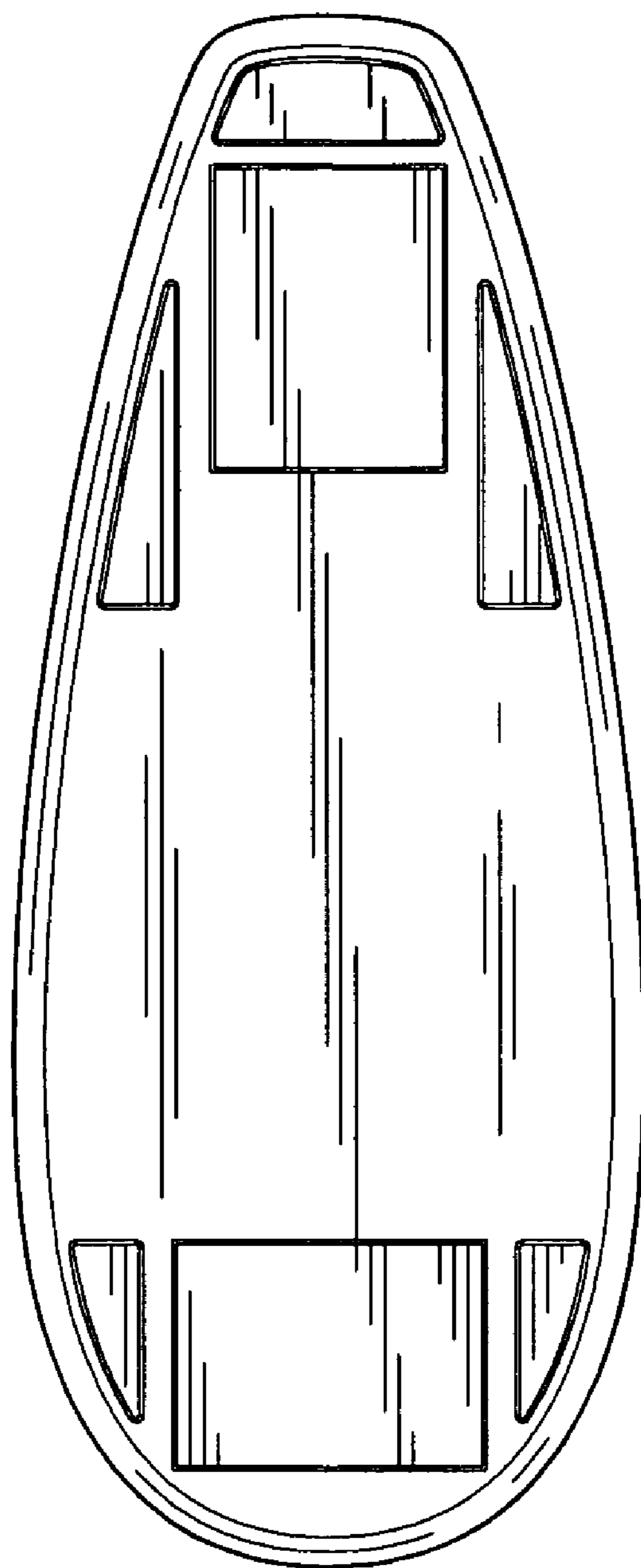


FIG. 7