



US00D619166S

(12) **United States Design Patent**
Ishizawa et al.

(10) **Patent No.:** **US D619,166 S**

(45) **Date of Patent:** **** Jul. 6, 2010**

(54) **PRINTER**

(75) Inventors: **Shoichi Ishizawa**, Nagano-ken (JP);
Seigo Mizutani, Nagano-ken (JP);
Shuichi Kanemoto, Nagano-ken (JP)

(73) Assignee: **Seiko Epson Corporation**, Tokyo (JP)

(**) Term: **14 Years**

(21) Appl. No.: **29/350,646**

(22) Filed: **Nov. 20, 2009**

(30) **Foreign Application Priority Data**

Sep. 18, 2009 (JP) 2009-021689

(51) **LOC (9) Cl.** **18-02**

(52) **U.S. Cl.** **D18/53**

(58) **Field of Classification Search** D18/53,
D18/55, 39, 54, 38; 399/81, 107, 151, 139,
399/1-7; 101/131, 287; D14/303, 302, 305;
400/611

See application file for complete search history.

(56) **References Cited**

U.S. PATENT DOCUMENTS

D193,932 S *	10/1962	Tankard	D18/53
D194,764 S *	3/1963	Glaser et al.	D18/53
D240,459 S *	7/1976	Conway	D18/53
D250,953 S *	1/1979	Knodt et al.	D18/53
D275,762 S *	10/1984	Olson	D18/38
D275,764 S *	10/1984	Olson	D18/38
D312,267 S *	11/1990	Biggs et al.	D18/39

D354,764 S *	1/1995	Tokuda	D18/53
D363,735 S *	10/1995	Karafuji et al.	D18/53
D428,914 S *	8/2000	Kabumoto et al.	D18/39
D447,768 S *	9/2001	Shiozaki et al.	D18/53
D544,534 S *	6/2007	Reece	D18/53
D575,329 S *	8/2008	Burch Gonzalez et al.	...	D18/53
D580,482 S *	11/2008	Munakata et al.	D18/38
D605,690 S *	12/2009	Stenzel	D18/53

* cited by examiner

Primary Examiner—Charles A Rademaker

(74) *Attorney, Agent, or Firm*—Mark P. Watson

(57) **CLAIM**

The ornamental design for a printer, as shown and described.

DESCRIPTION

FIG. 1 is a top front right side perspective view of a printer showing the new design.

FIG. 2 is a top front left side perspective view thereof.

FIG. 3 is a front view thereof.

FIG. 4 is a rear view thereof.

FIG. 5 is a left side view thereof.

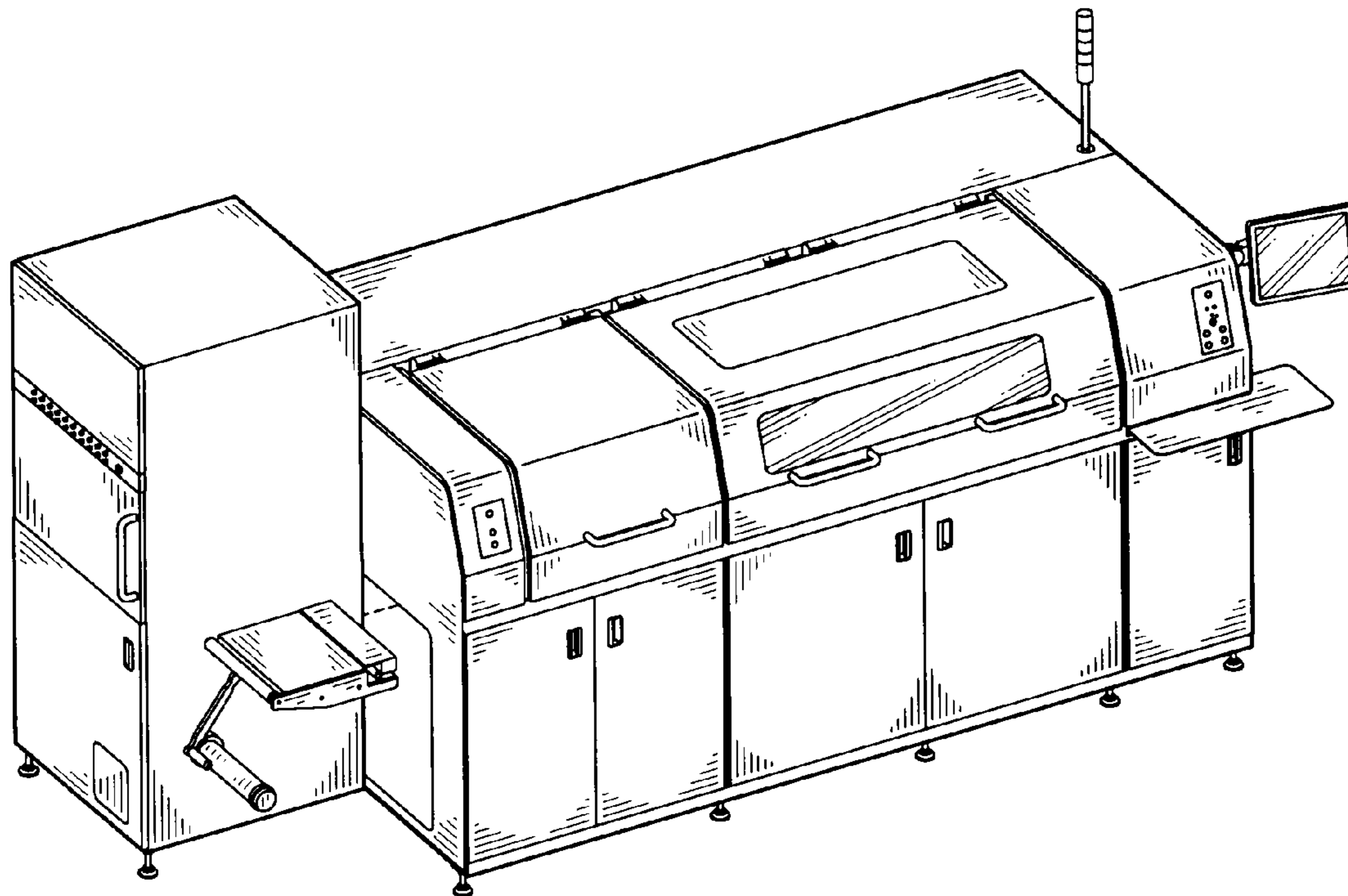
FIG. 6 is a right side view thereof.

FIG. 7 is a top view thereof; and,

FIG. 8 is a bottom view thereof.

The broken lines shown in the drawings are included for the purpose of illustrating structure and form no part of the claimed design.

1 Claim, 4 Drawing Sheets



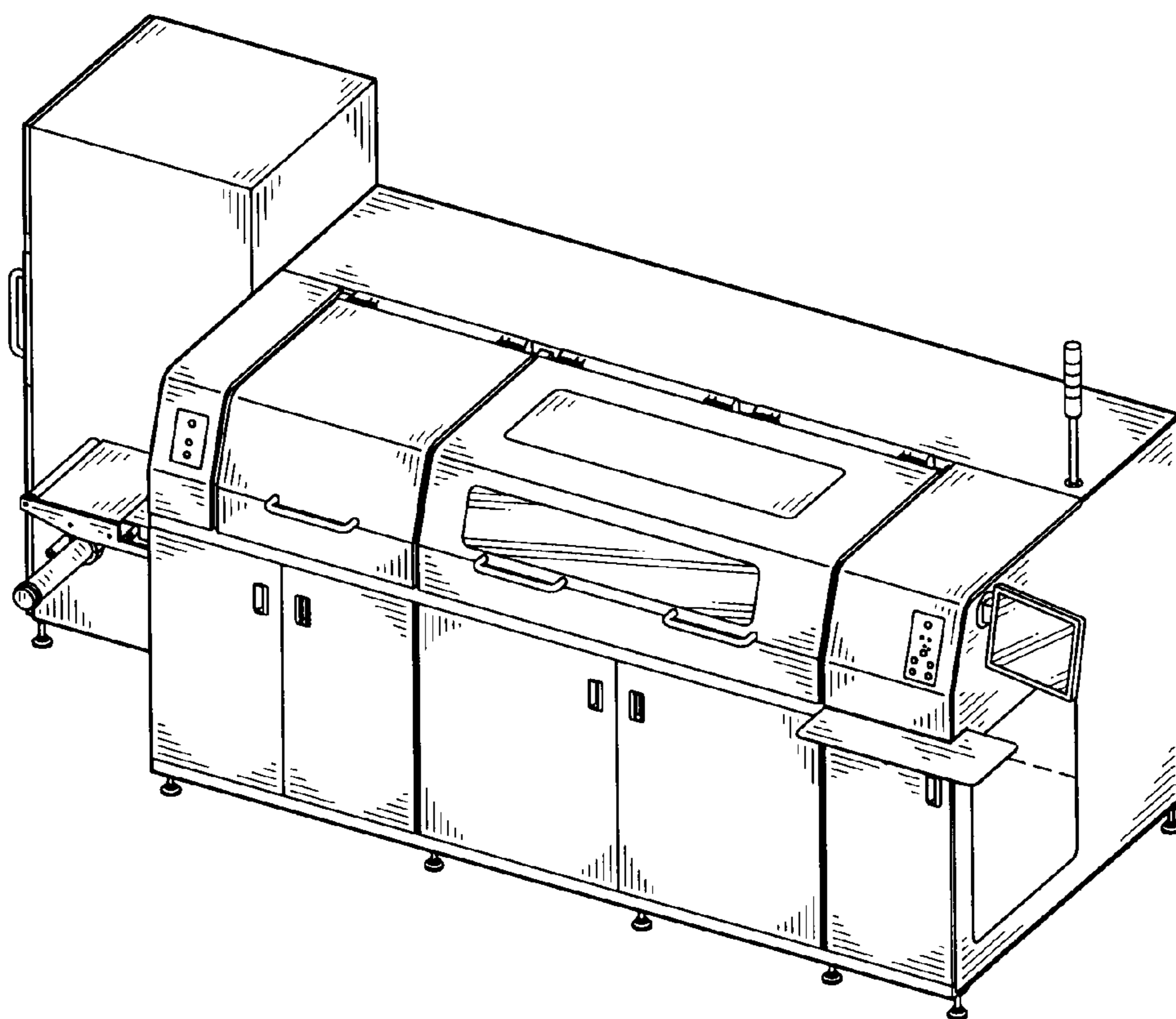


FIG. 1

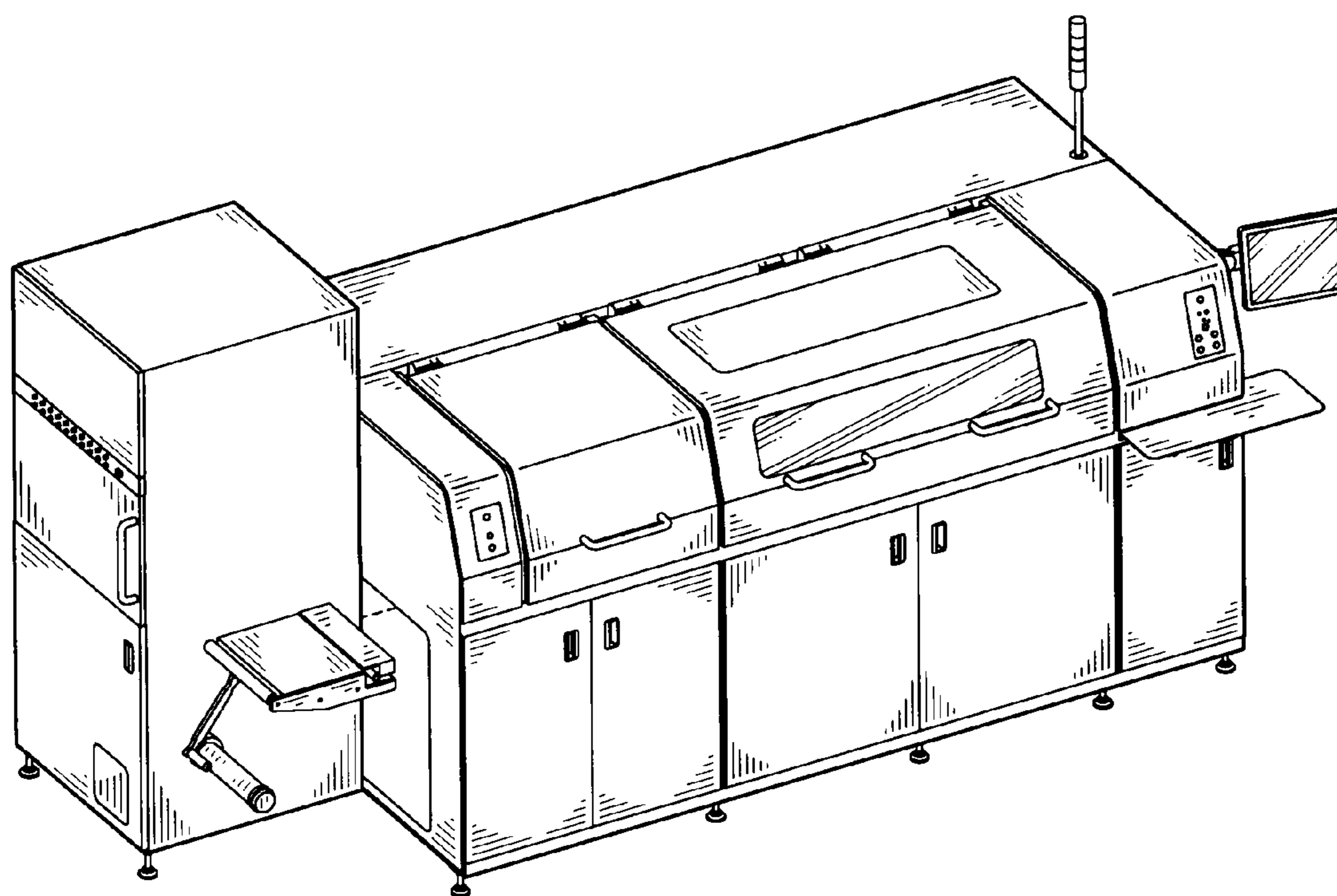


FIG. 2

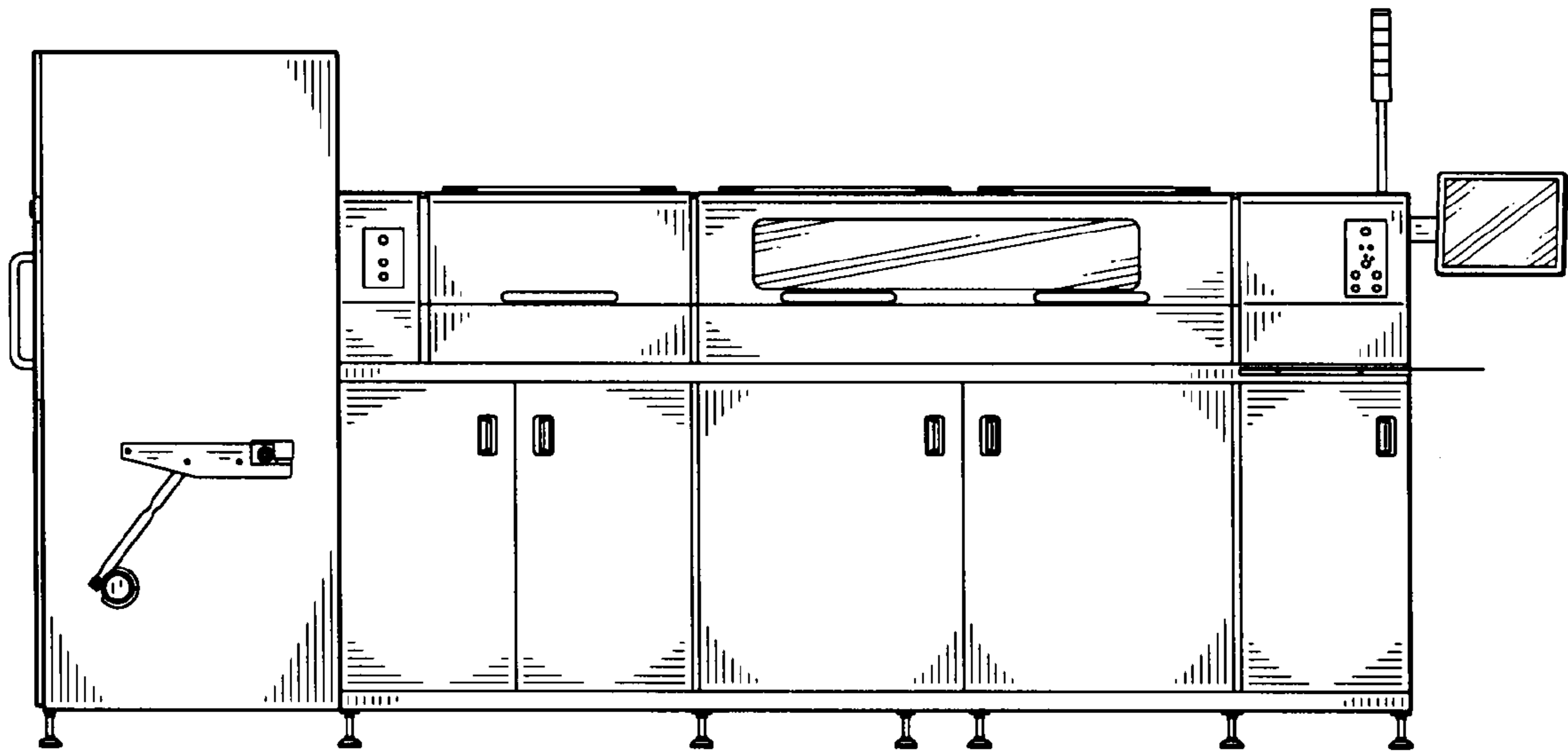


FIG. 3

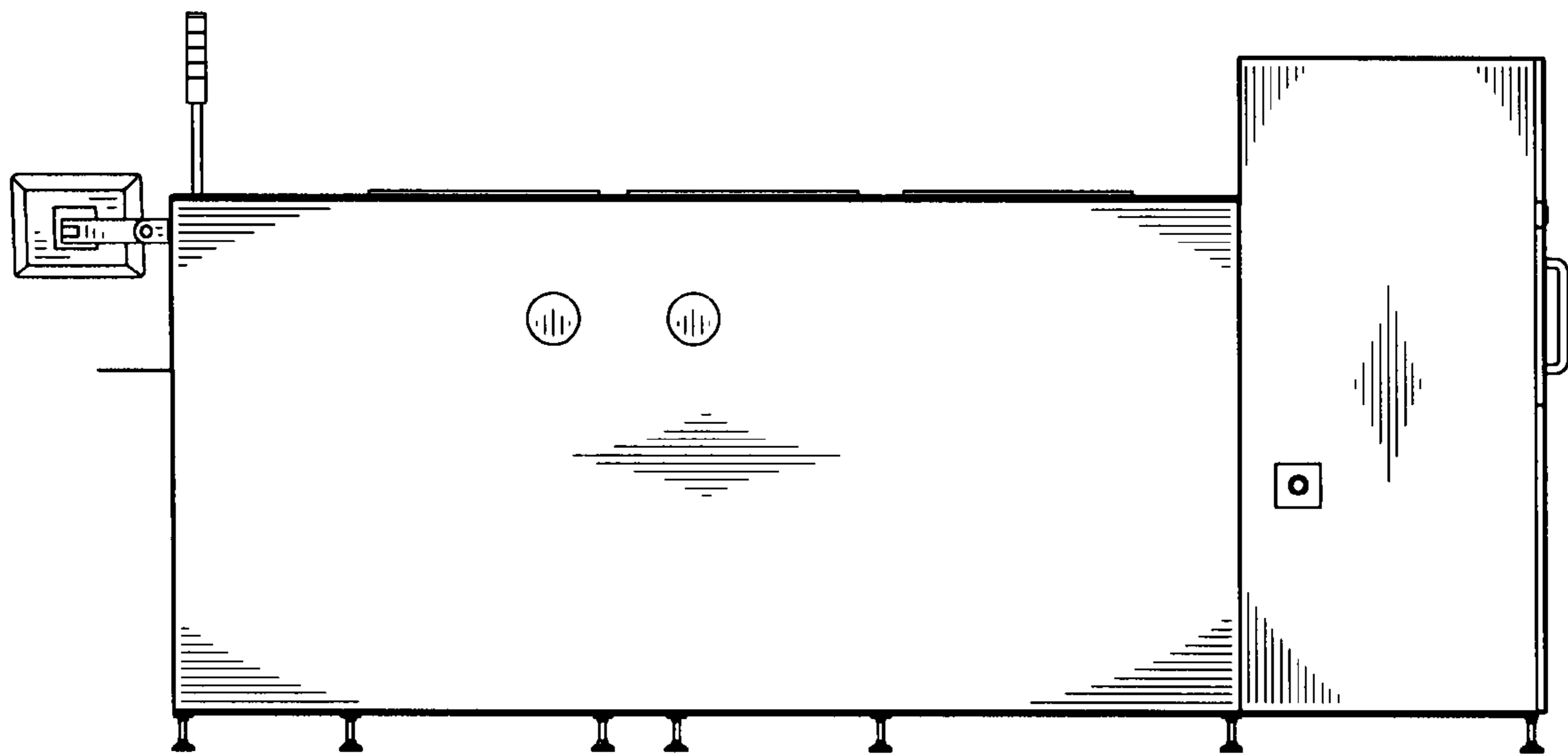


FIG. 4

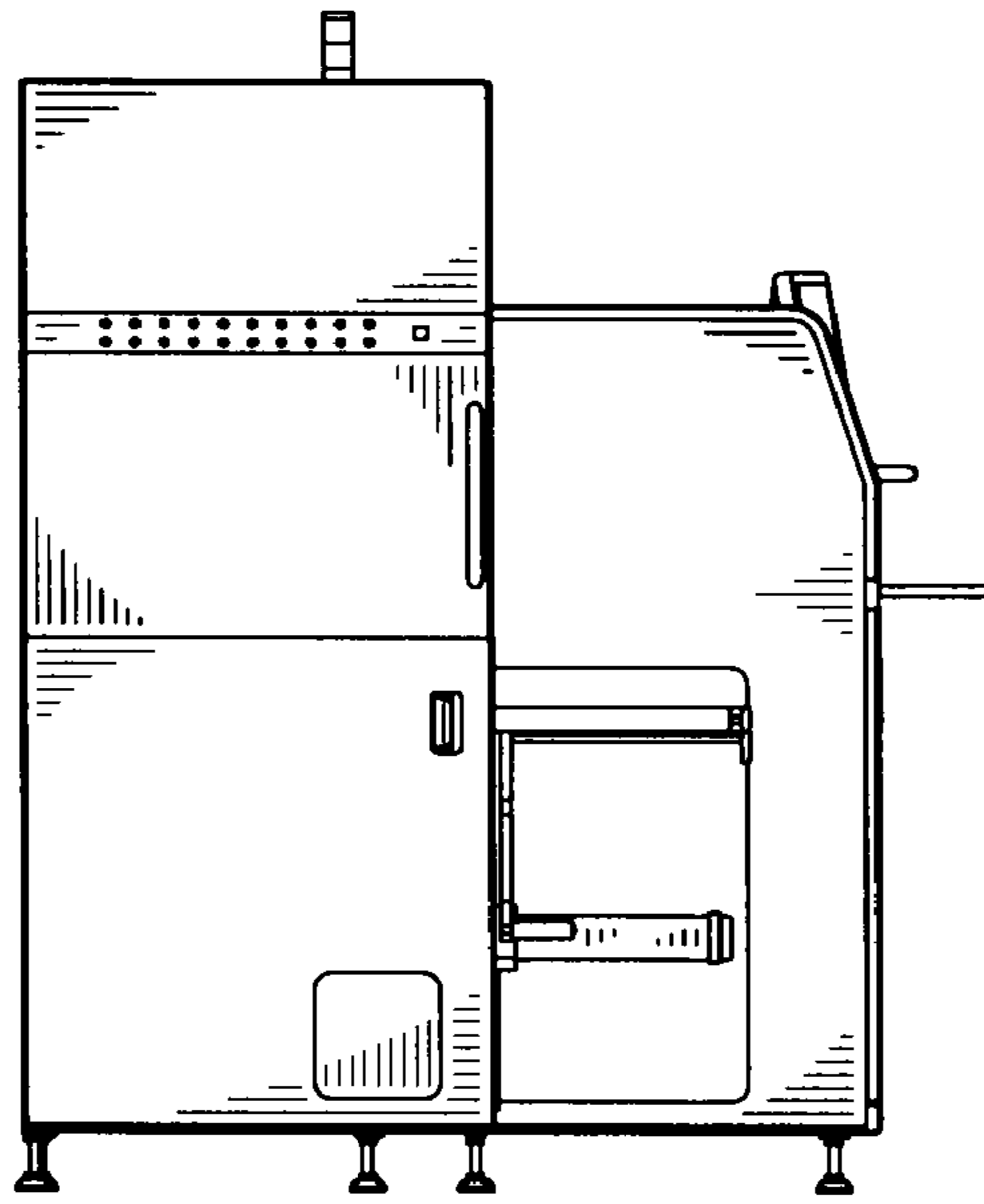


FIG. 5

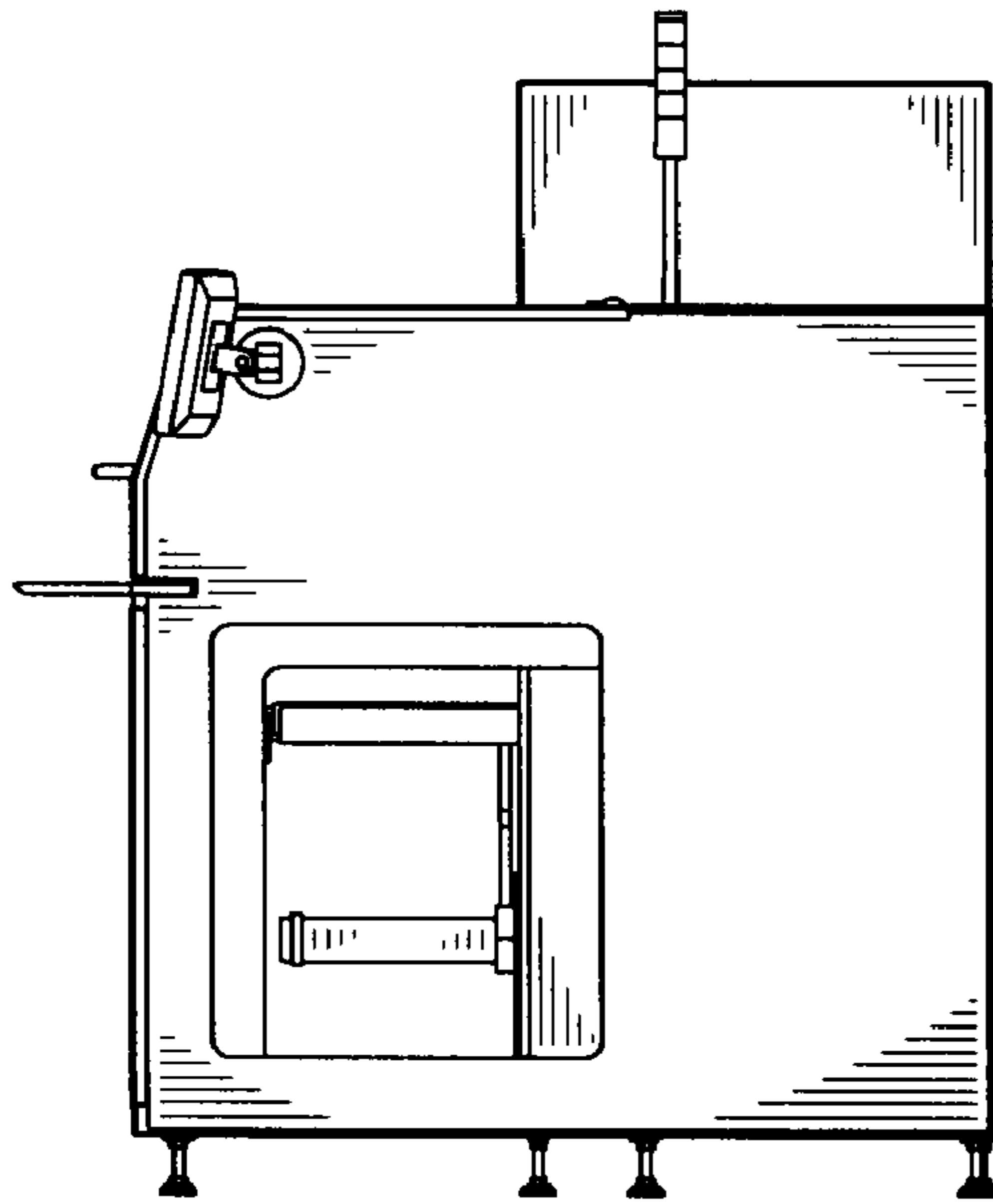


FIG. 6

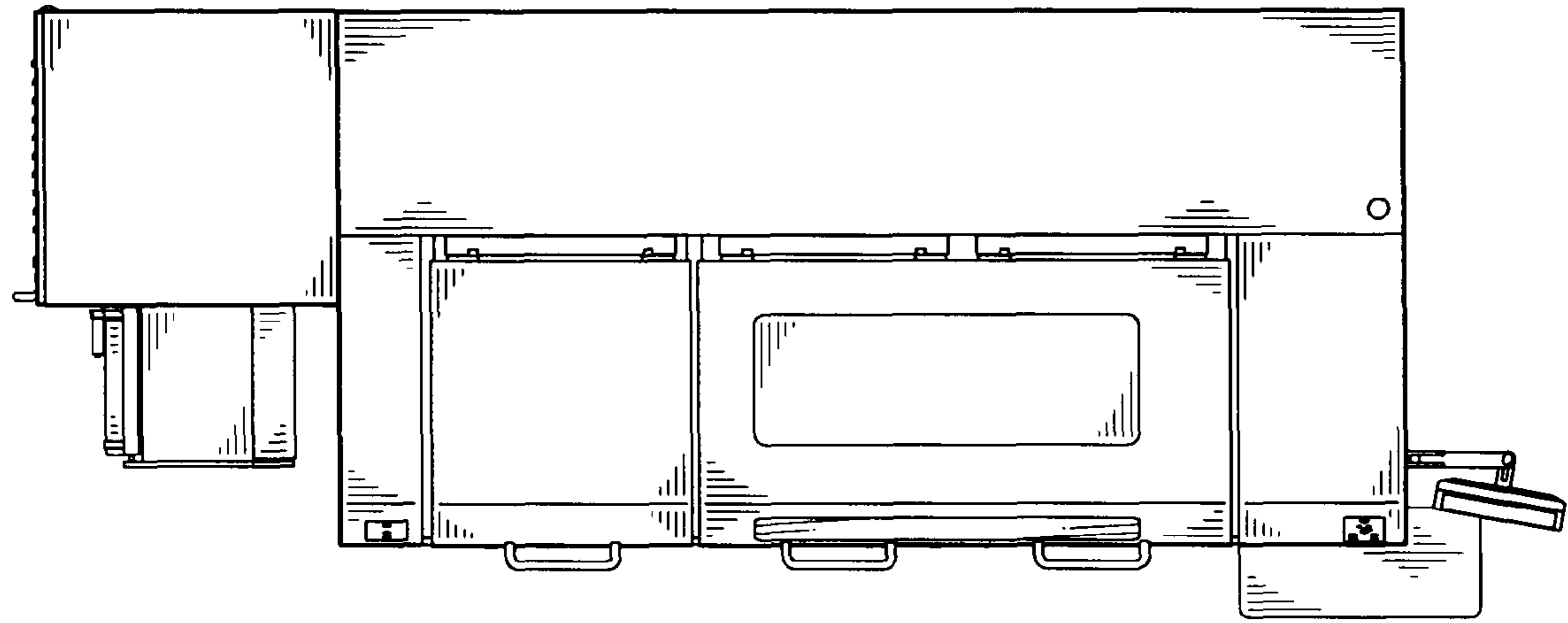


FIG. 7

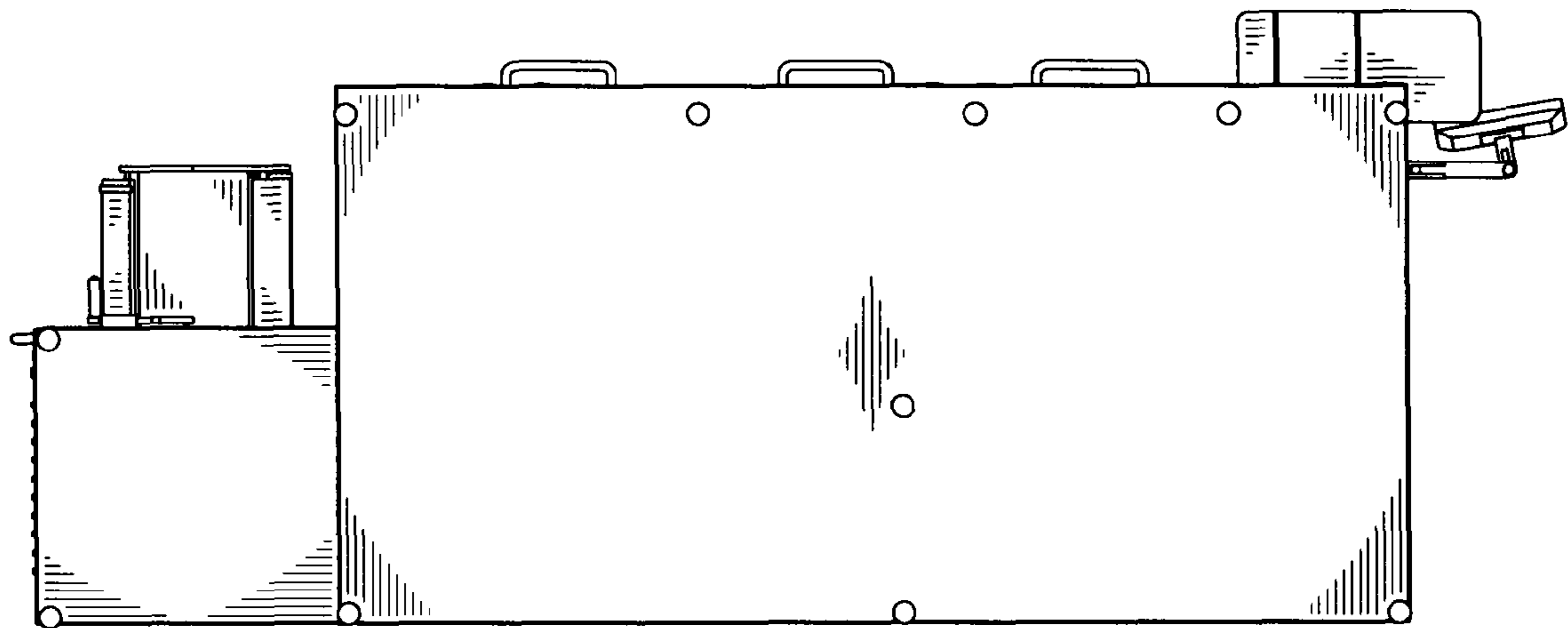


FIG. 8