



US00D619165S

(12) **United States Design Patent**
Sakurai

(10) **Patent No.:** **US D619,165 S**

(45) **Date of Patent:** **** Jul. 6, 2010**

(54) **PRINTER FOR A COMPUTER**

(75) Inventor: **Yoshihiro Sakurai**, Hamamatsu (JP)

(73) Assignee: **Roland DG Corporation**,
Hamamatsu-shi (JP)

(**) Term: **14 Years**

(21) Appl. No.: **29/332,795**

(22) Filed: **Feb. 25, 2009**

(30) **Foreign Application Priority Data**

Aug. 26, 2008 (JP) 2008-021813

(51) **LOC (9) Cl.** **18-02**

(52) **U.S. Cl.** **D18/53**

(58) **Field of Classification Search** D18/14,
D18/18, 34.1, 34.3, 36, 39, 50, 53, 56, 59,
D18/99; 101/212-213, 216, 232
See application file for complete search history.

(56) **References Cited**

U.S. PATENT DOCUMENTS

- D342,907 S * 1/1994 Kamatsuda D10/63
- D407,740 S * 4/1999 Ina et al. D18/53
- D450,755 S * 11/2001 Gimenez et al. D18/53
- D464,080 S * 10/2002 Yamano et al. D18/53
- D529,545 S * 10/2006 Kimura et al. D18/53

- D595,345 S * 6/2009 Yagi et al. D18/53
- D595,346 S * 6/2009 Yamano et al. D18/53
- D597,131 S * 7/2009 Yamano et al. D18/53

* cited by examiner

Primary Examiner—Ian Simmons

Assistant Examiner—Dana L Sipos

(74) *Attorney, Agent, or Firm*—Ditthavong Mori & Steiner,
P.C.

(57) **CLAIM**

The ornamental design for a printer for a computer, as shown and described.

DESCRIPTION

FIG. 1 is a front view of a printer for a computer showing my new design;

FIG. 2 is a rear view thereof;

FIG. 3 is a top plan view thereof;

FIG. 4 is a bottom plan view thereof;

FIG. 5 is a right side view thereof;

FIG. 6 is a left side view thereof; and,

FIG. 7 is a perspective view thereof.

All phantom/broken lines shown in the figures are shown for illustrative purposes only and form no part of the design of the present invention.

1 Claim, 4 Drawing Sheets

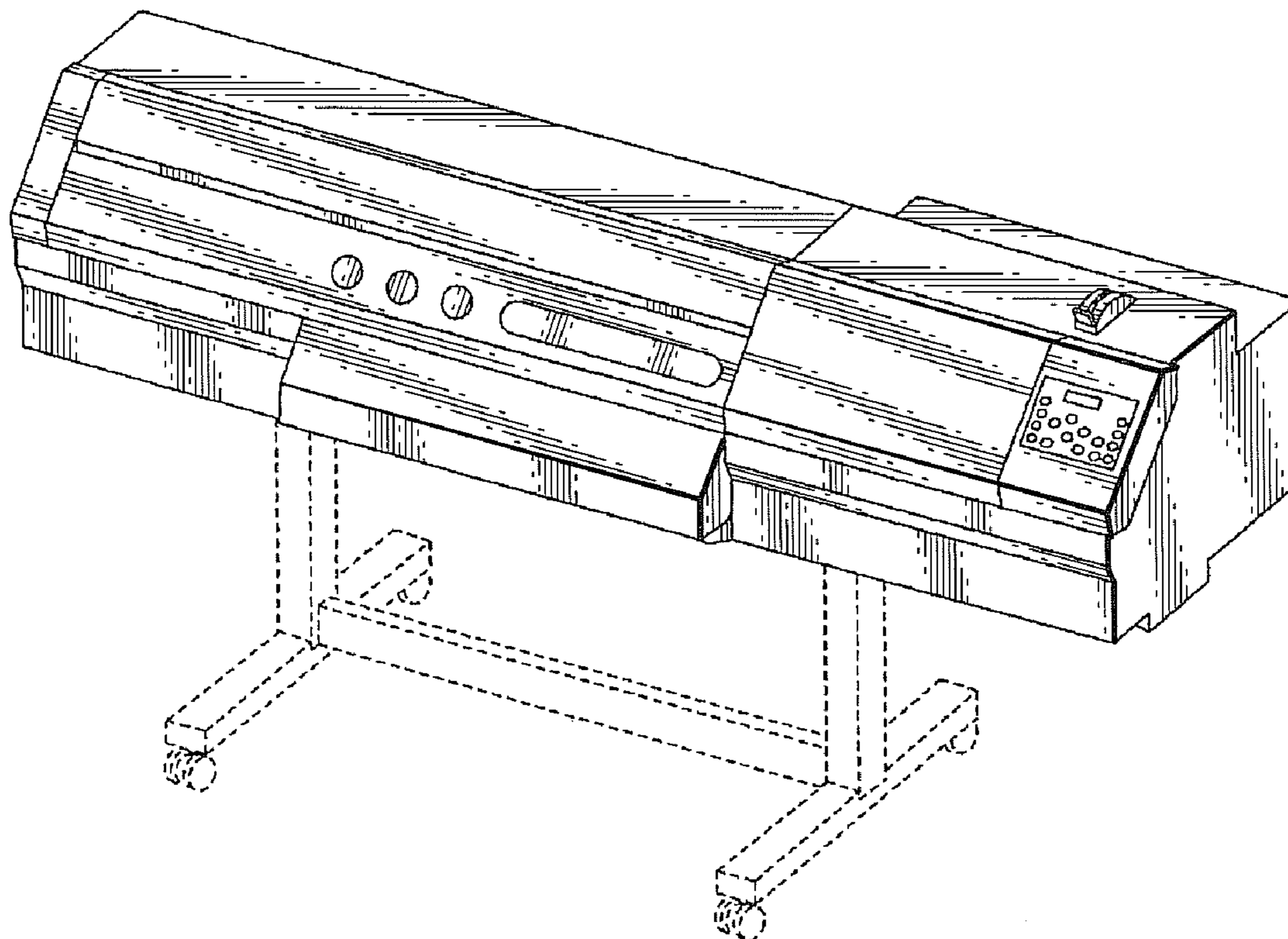


FIG.1

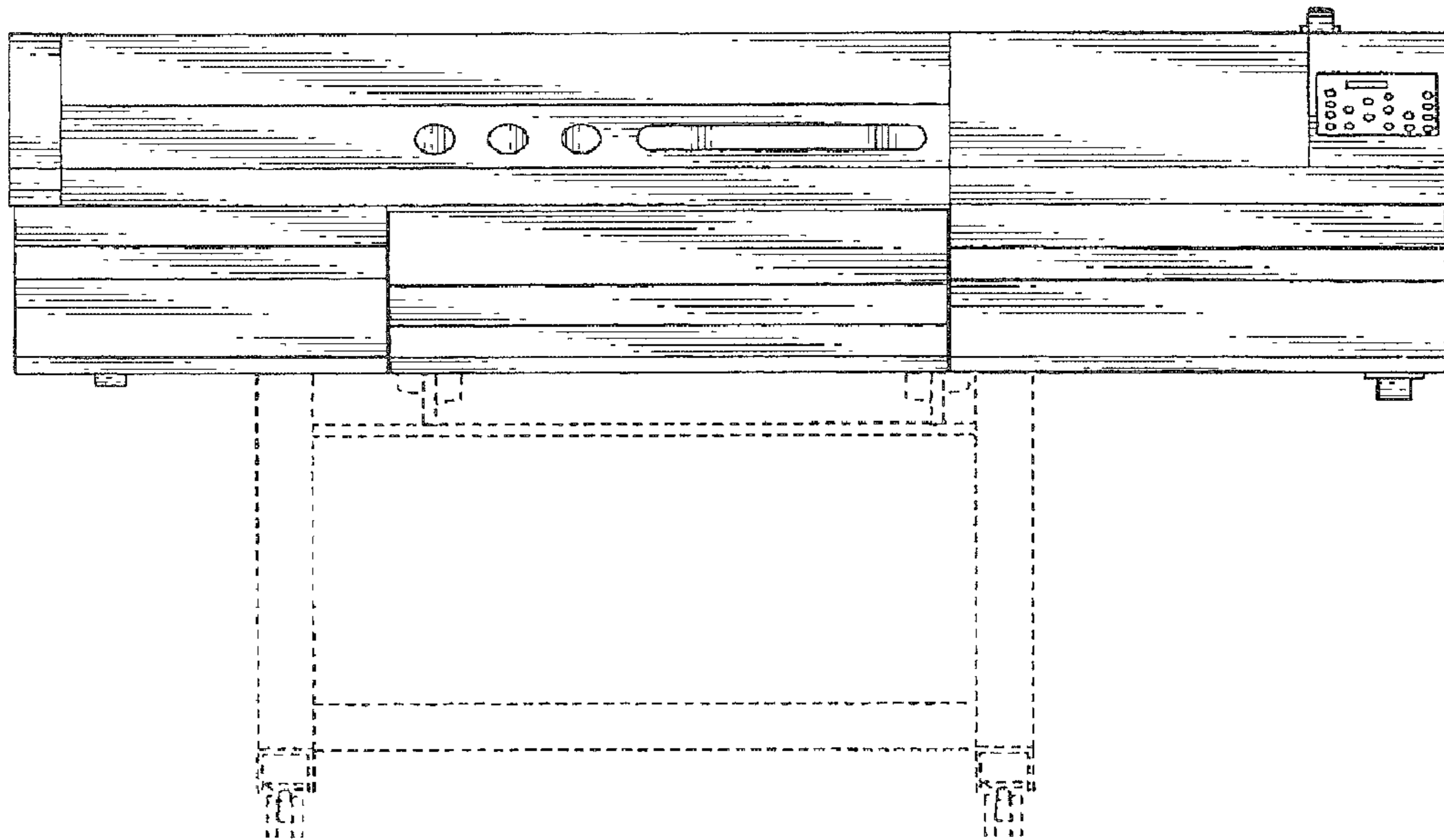


FIG.2

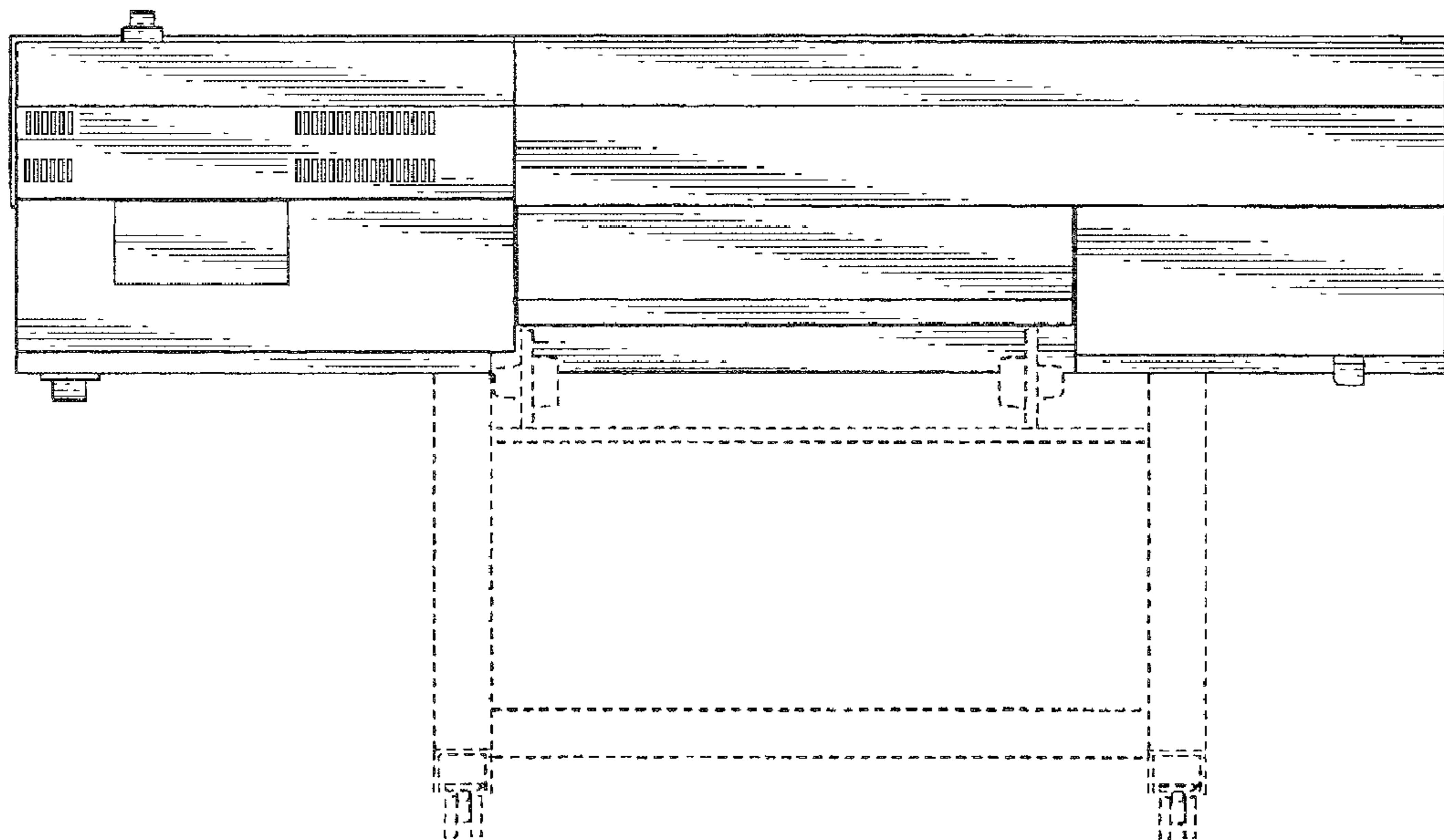


FIG.3

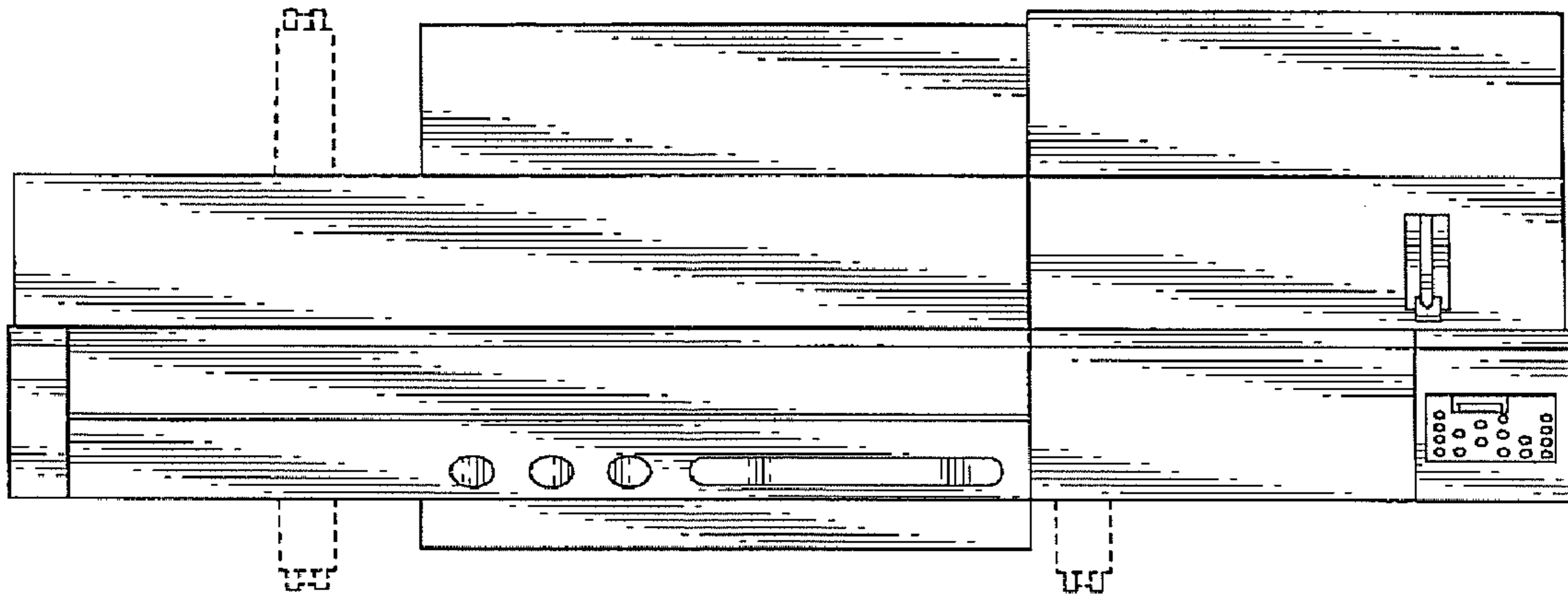


FIG.4

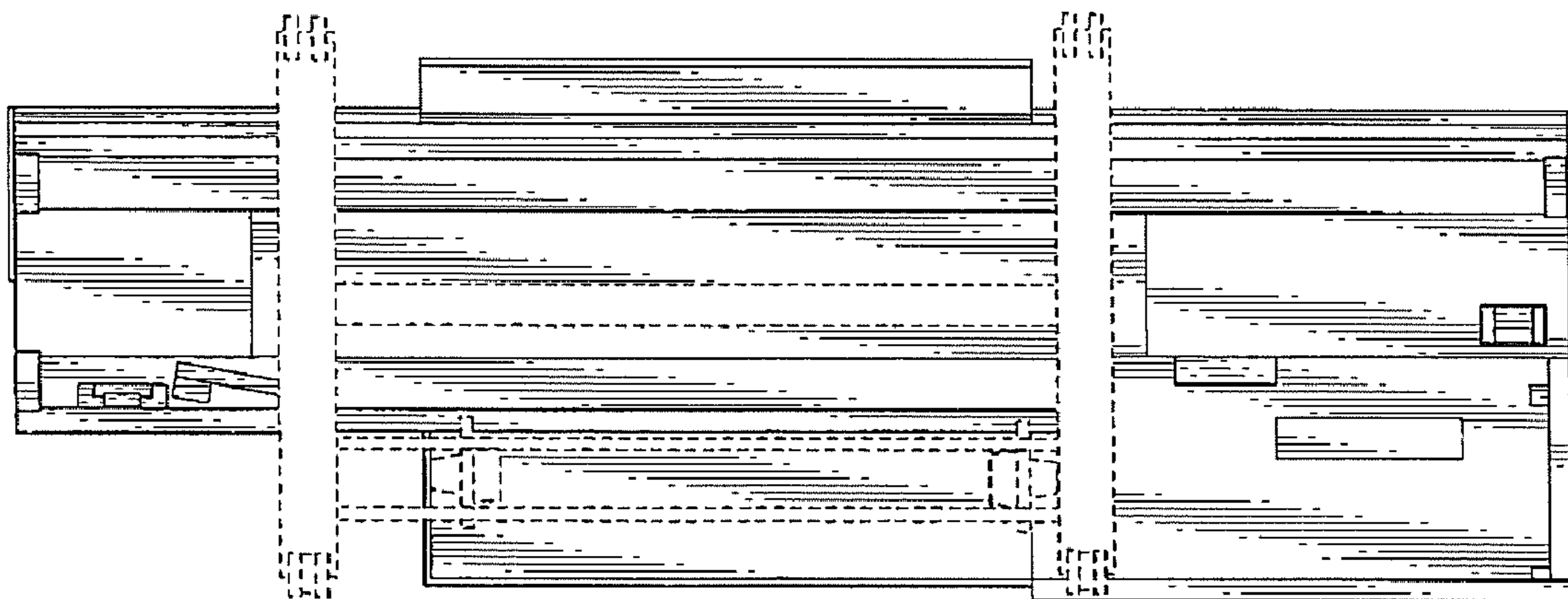


FIG.5

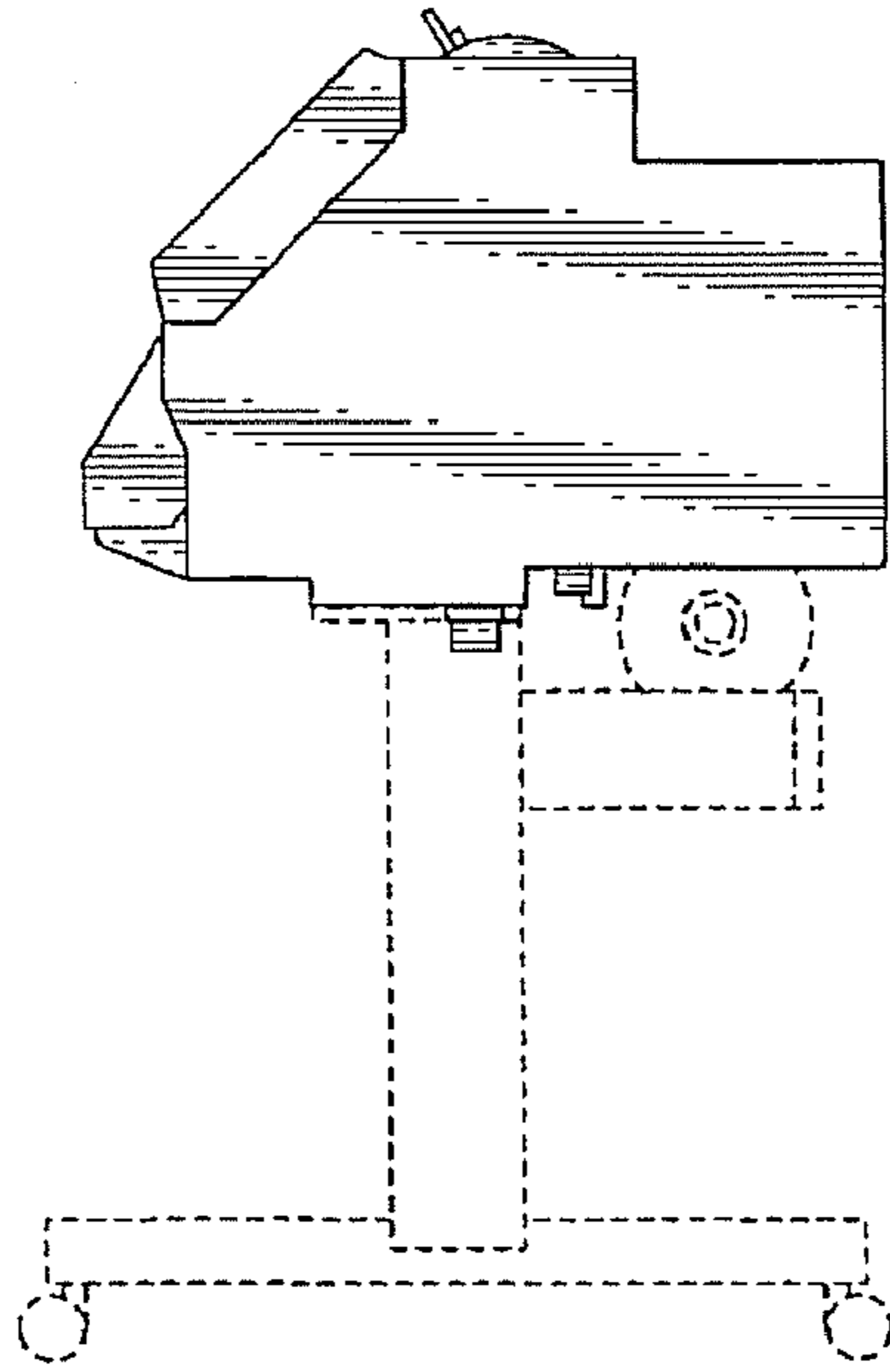


FIG.6

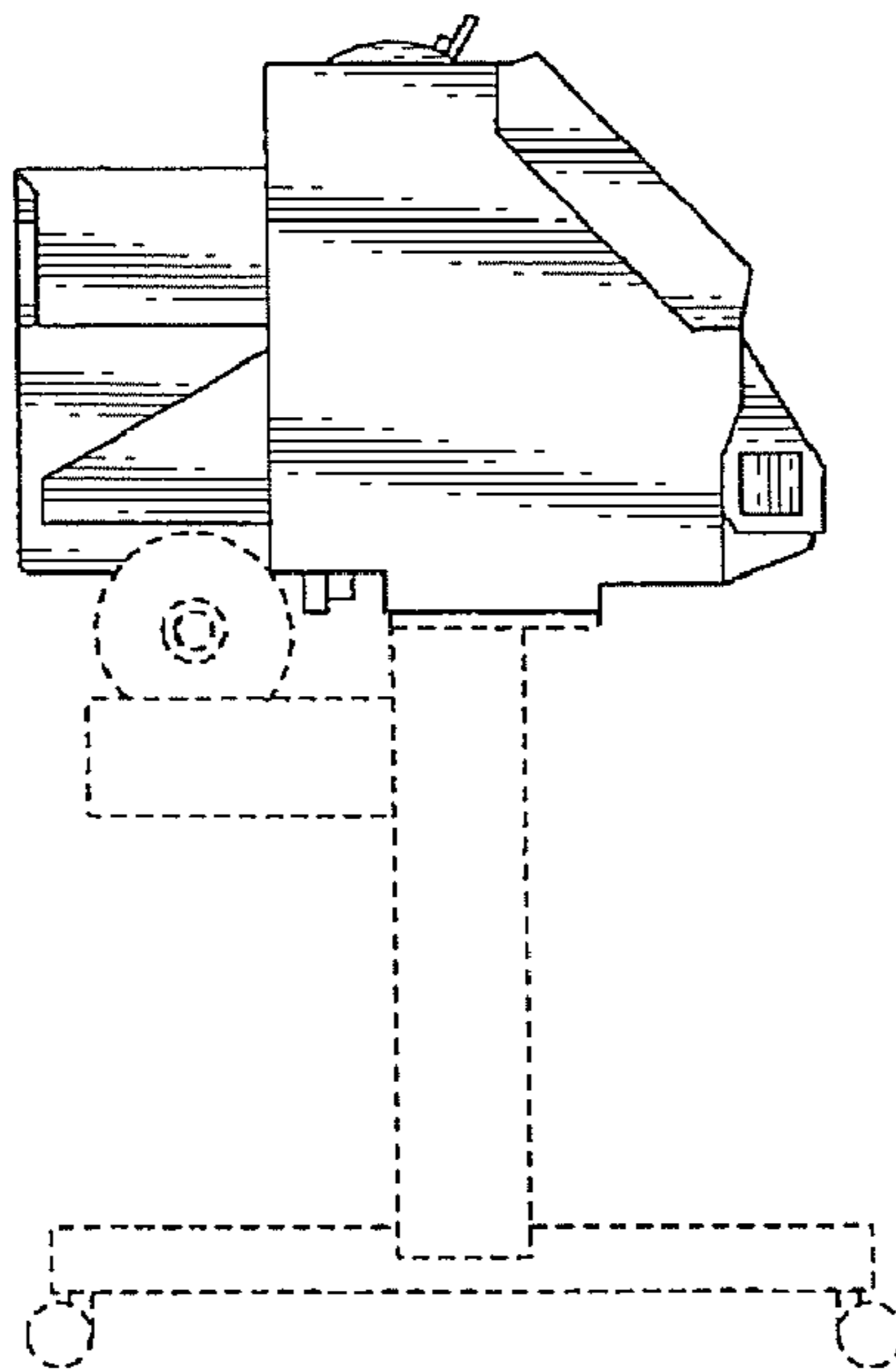


FIG. 7

