



US00D619158S

(12) **United States Design Patent**
Frank et al.

(10) **Patent No.:** **US D619,158 S**
(45) **Date of Patent:** **** Jul. 6, 2010**

(54) **PAN-TILT UNIT FOR CAMERA**

(75) Inventors: **Jeffrey D. Frank**, Santa Barbara, CA (US); **Marcel Tremblay**, Goleta, CA (US); **Anke Scheibhuber**, Cologne (DE); **Meng Xue**, Chiba (JP); **Jonathan Li**, Shanghai (CN); **Yaohua Li**, Shanghai (CN)

(73) Assignee: **Flir Systems, Inc.**, Wilsonville, OR (US)

(**) Term: **14 Years**

(21) Appl. No.: **29/338,321**

(22) Filed: **Jun. 9, 2009**

(51) **LOC (9) Cl.** **16-05**

(52) **U.S. Cl.** **D16/242**

(58) **Field of Classification Search** D16/203,
D16/208, 242; 248/278.1; 352/243; 348/373;
396/419, 427, 428

See application file for complete search history.

(56) **References Cited**

U.S. PATENT DOCUMENTS

4,673,268 A * 6/1987 Wheeler et al. 352/243
6,503,000 B1 * 1/2003 Kim 396/427
D474,489 S * 5/2003 Kawashima D16/203
6,880,987 B2 * 4/2005 Diana et al. 396/427

D572,288 S * 7/2008 Neoh et al. D16/208
D592,196 S * 5/2009 Kahn D14/238
7,675,570 B2 * 3/2010 Shimada 348/373

* cited by examiner

Primary Examiner—Adir Aronovich

(74) *Attorney, Agent, or Firm*—Haynes and Boone, LLP

(57) **CLAIM**

The ornamental design for a pan-tilt unit for cameras, as shown and described.

DESCRIPTION

FIG. 1 is a rear perspective view of a pan-tilt unit for cameras embodying our new design;

FIG. 2 is a rear elevational view thereof;

FIG. 3 is a front elevational view thereof;

FIG. 4 is a bottom plan view thereof;

FIG. 5 is a top plan view thereof;

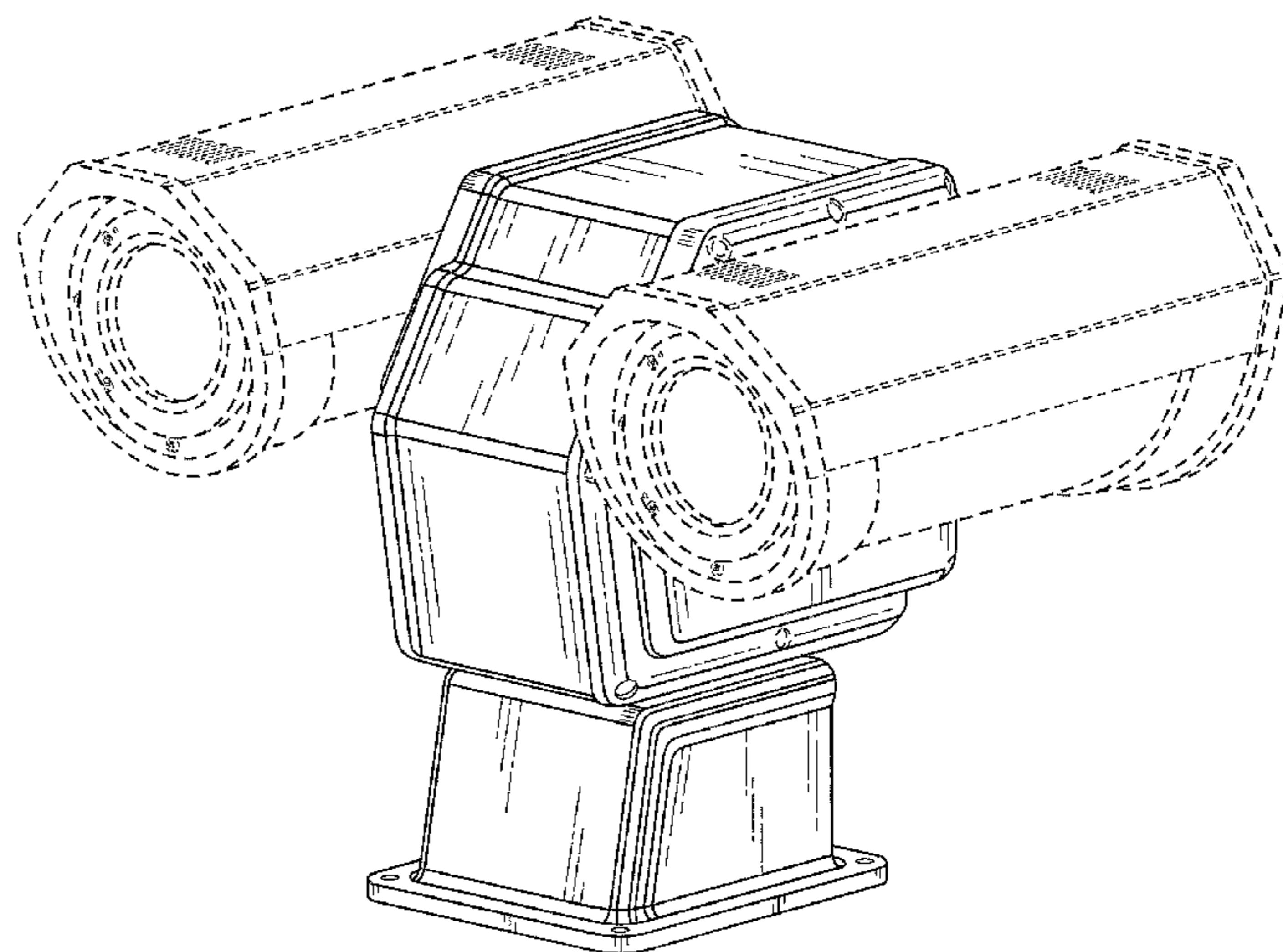
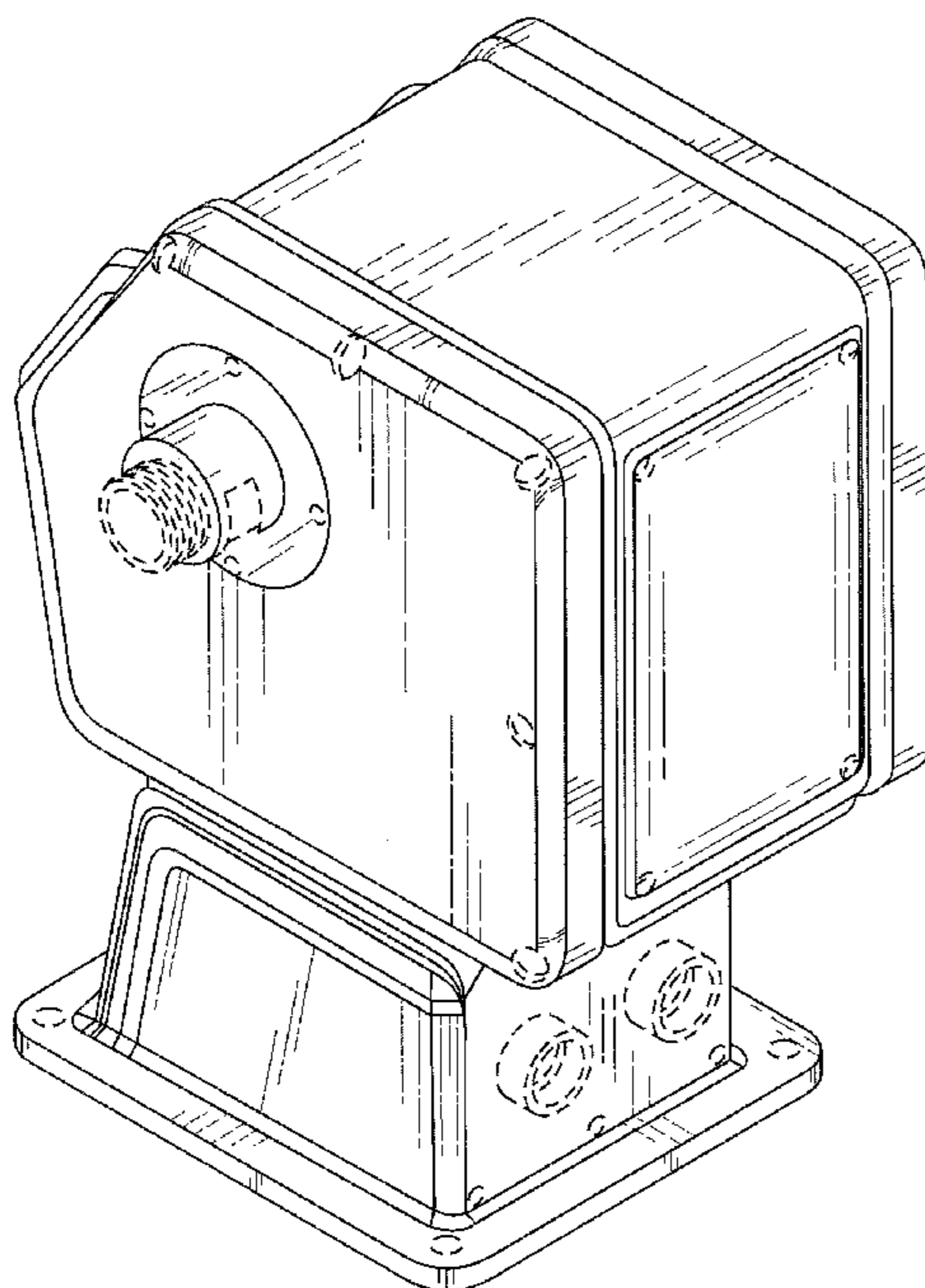
FIG. 6 is a left side elevational view thereof;

FIG. 7 is a right side elevational view thereof; and,

FIG. 8 is a front perspective view thereof, with the cameras attached.

The areas in broken lines are for illustrative purposes only and form no part of the claimed design.

1 Claim, 8 Drawing Sheets



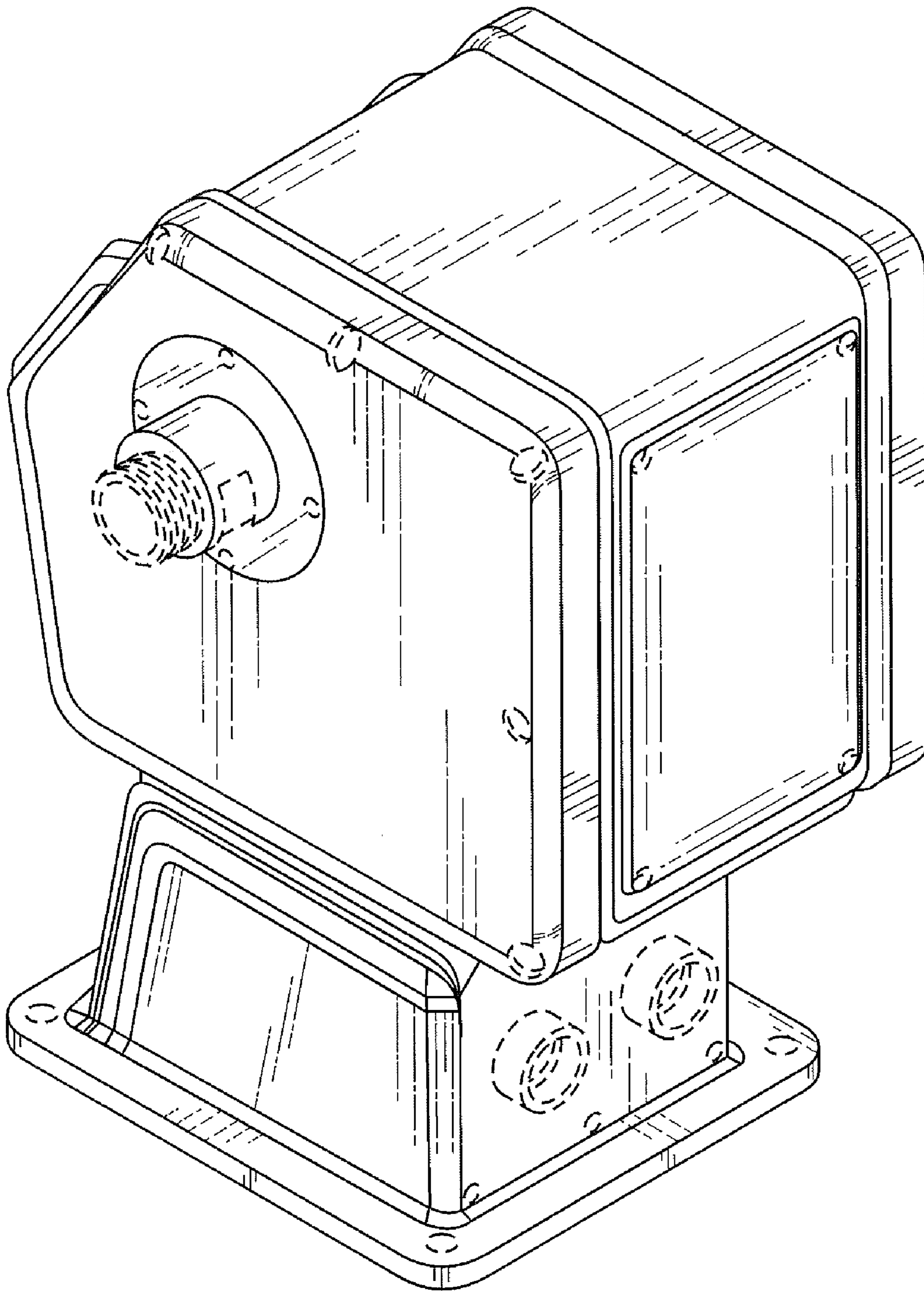


FIG. 1

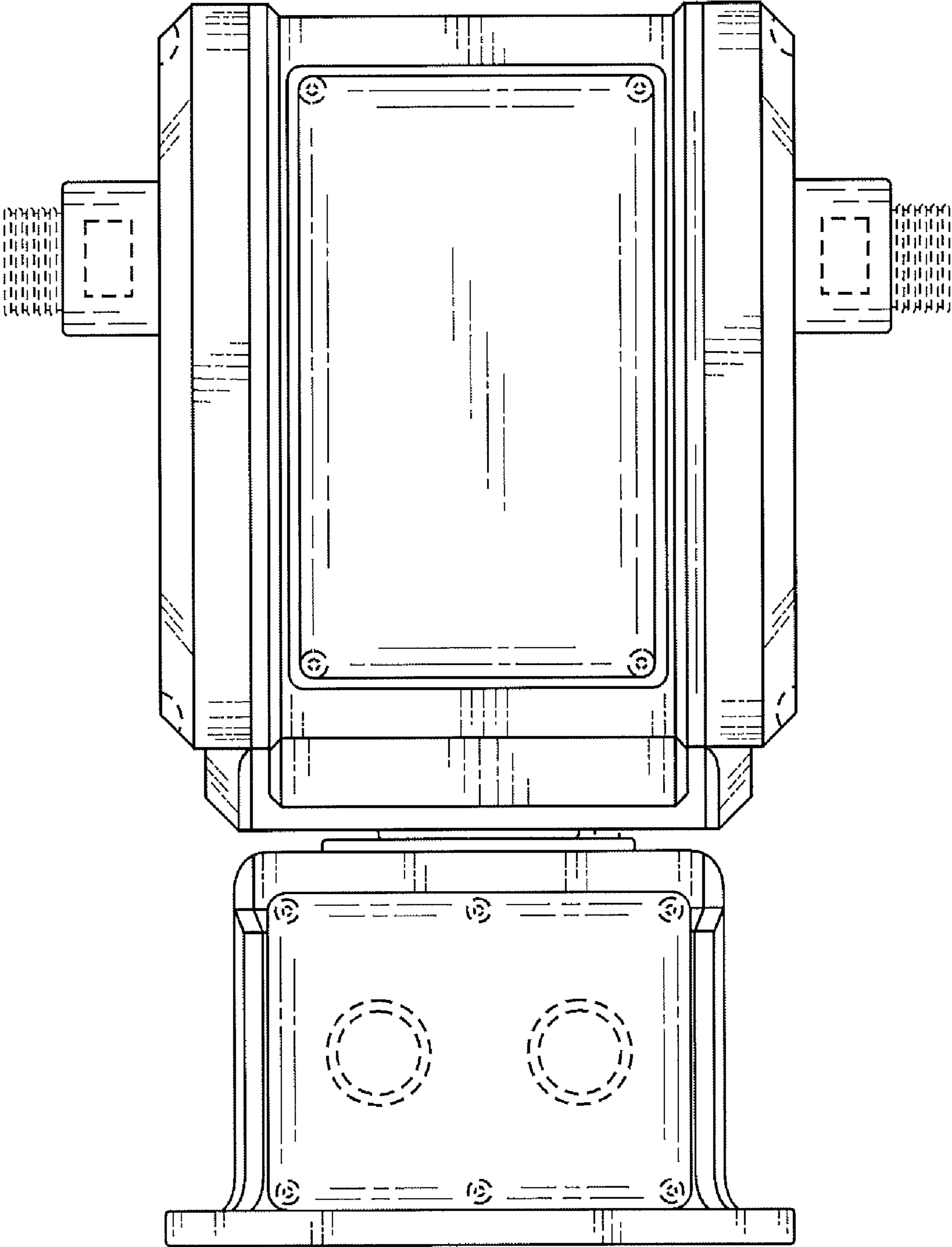


FIG. 2

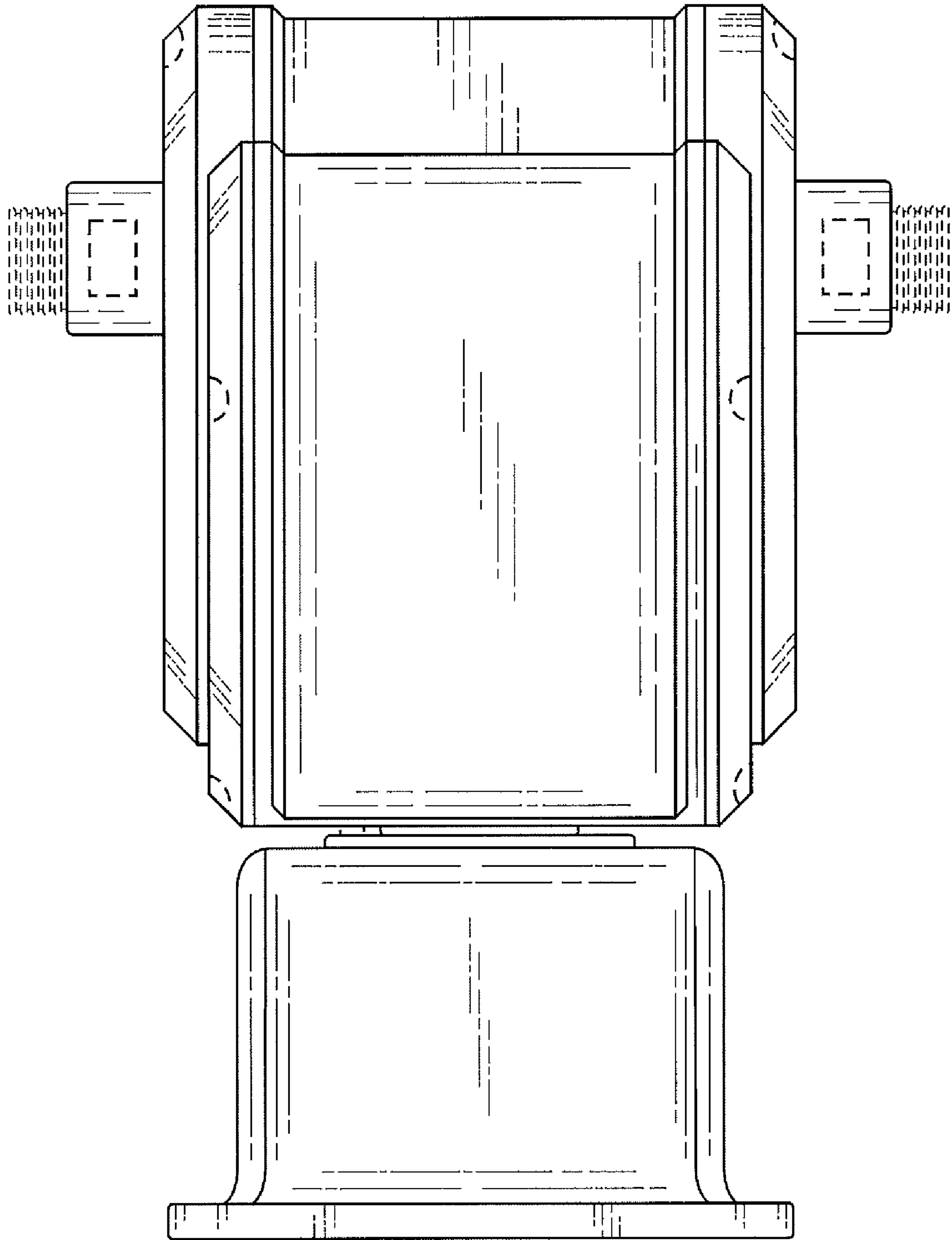


FIG. 3

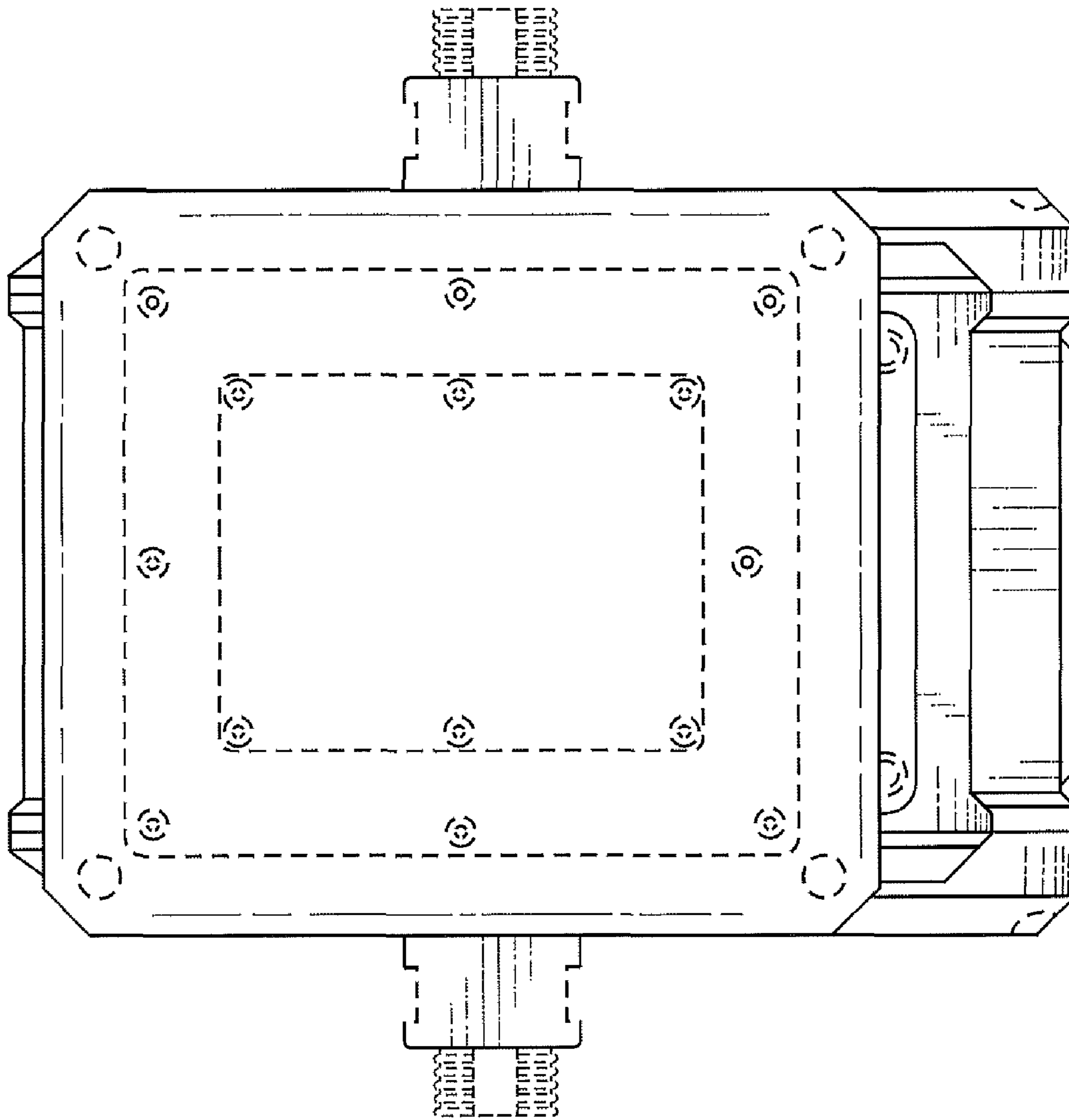


FIG. 4

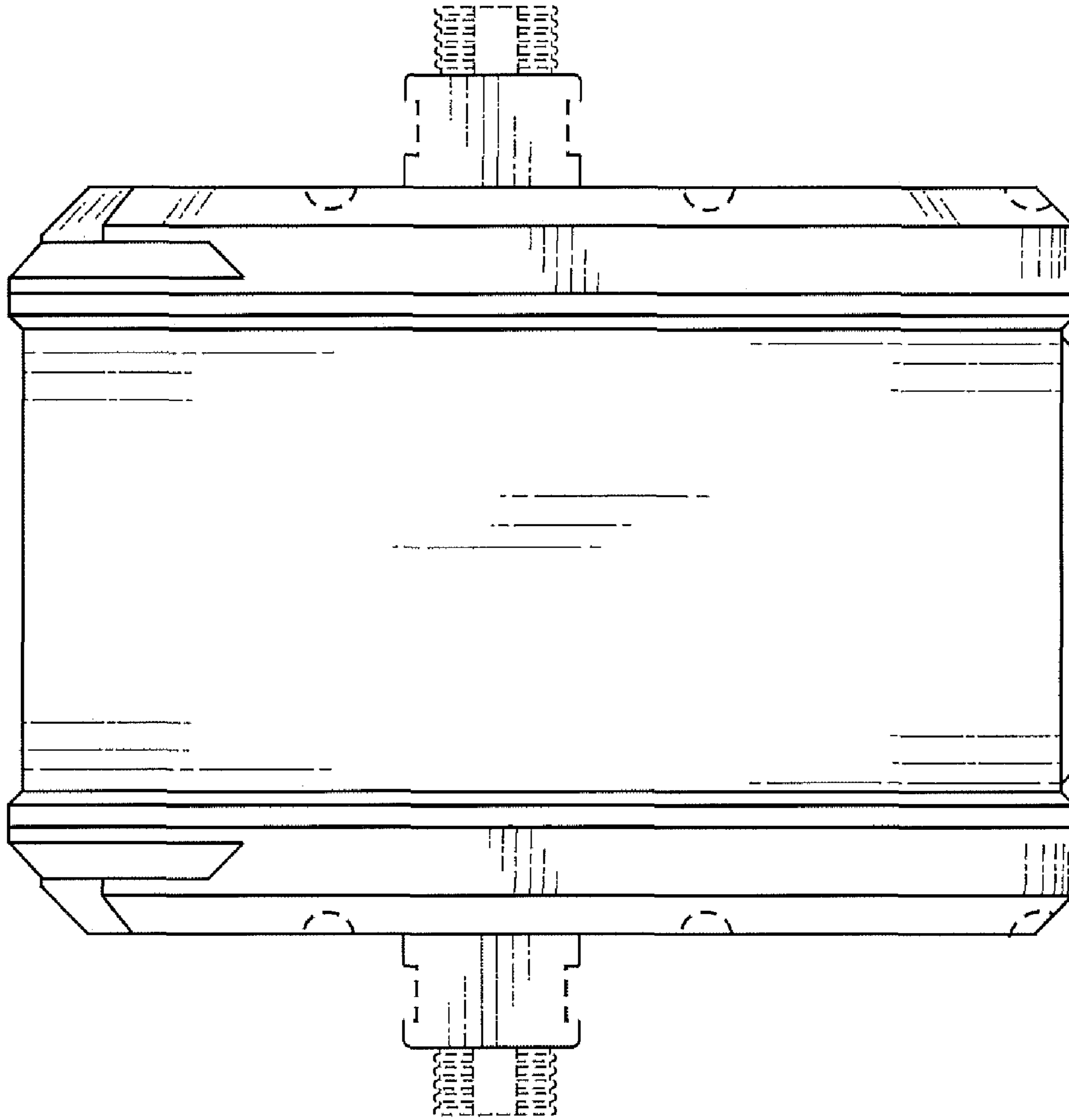


FIG. 5

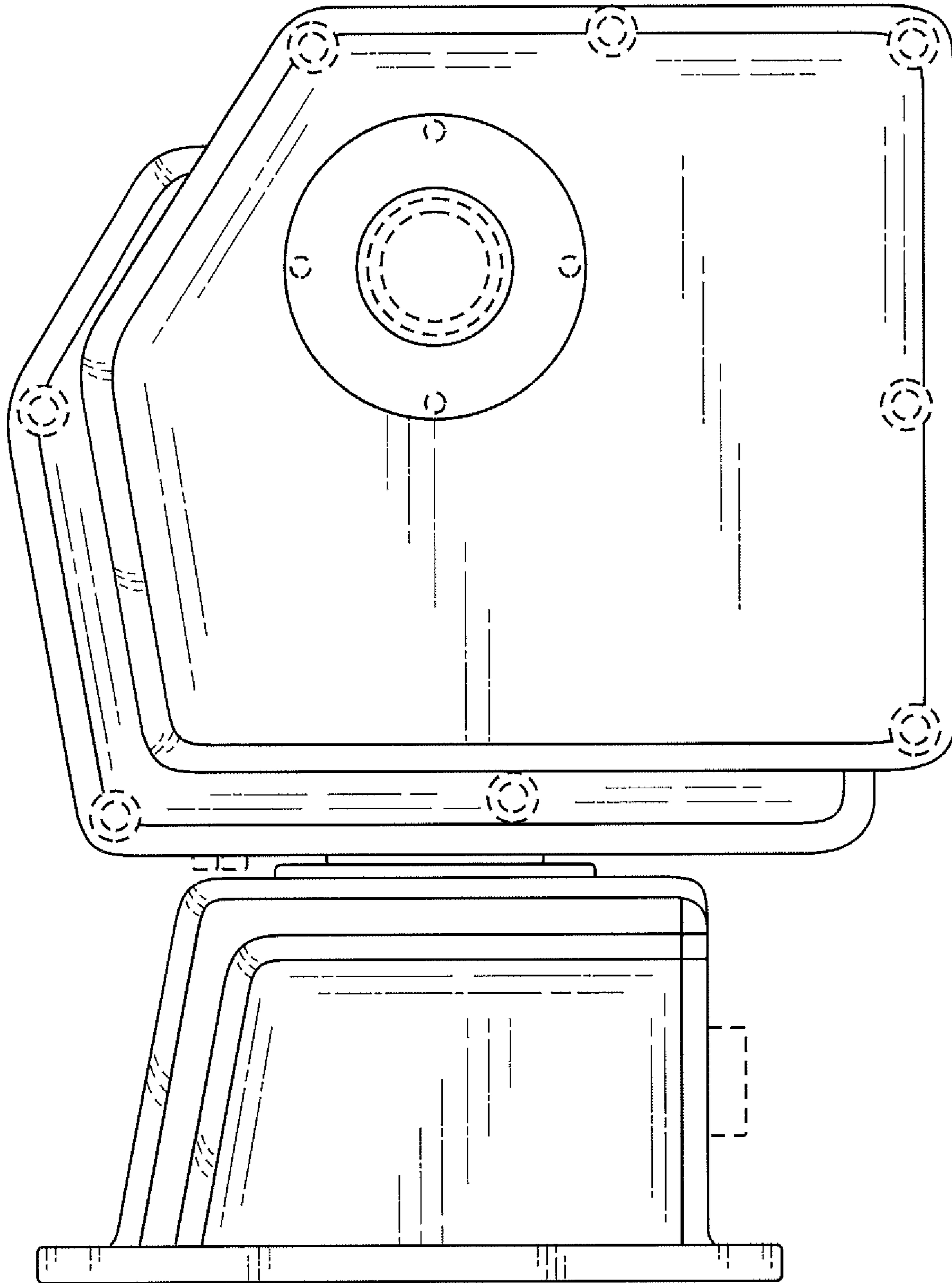


FIG. 6

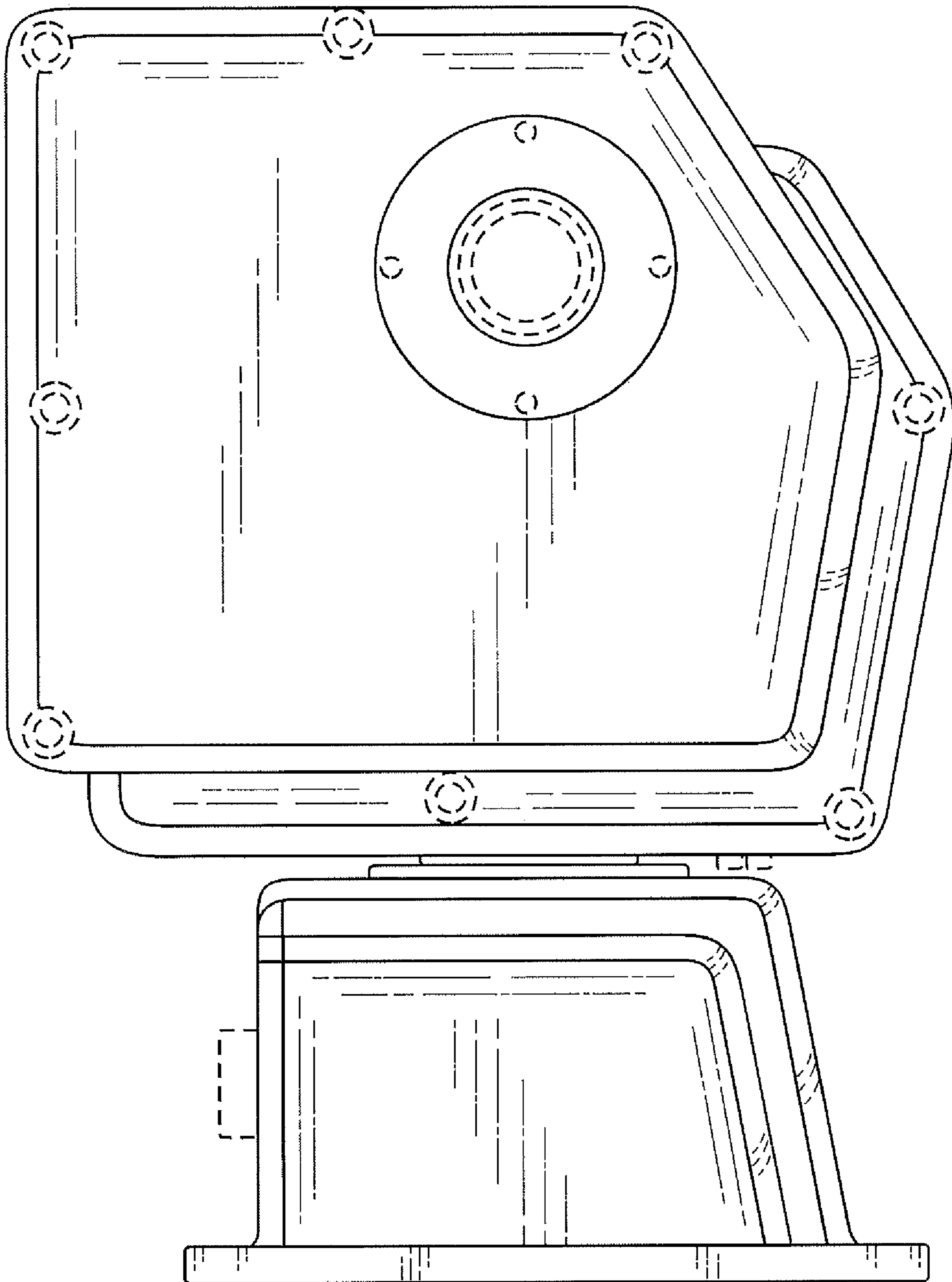


FIG. 7

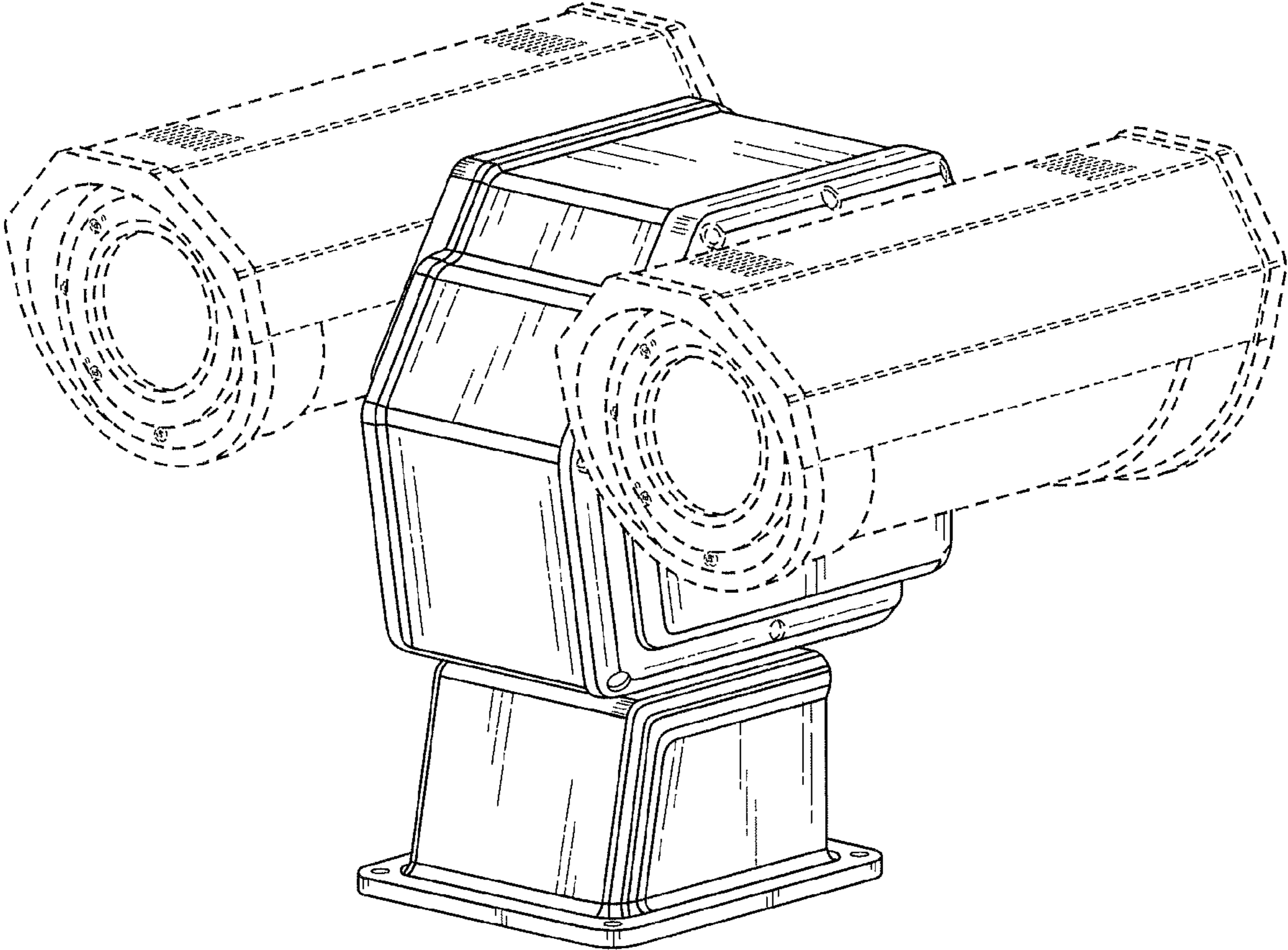


FIG. 8