



US00D619156S

(12) **United States Design Patent**
Hibi

(10) **Patent No.:** **US D619,156 S**
(45) **Date of Patent:** **** Jul. 6, 2010**

(54) **CAMERA**

(75) Inventor: **Keita Hibi**, Tokyo (JP)

(73) Assignee: **Sony Corporation**, Tokyo (JP)

(**) Term: **14 Years**

(21) Appl. No.: **29/311,085**

(22) Filed: **Dec. 19, 2008**

(30) **Foreign Application Priority Data**

Jun. 19, 2008 (JP) D2008-015734

(51) **LOC (9) Cl.** **16-05**

(52) **U.S. Cl.** **D16/219; D16/202**

(58) **Field of Classification Search** D16/200–206,
D16/208, 218–219; D3/321; 358/906, 909.1;
348/211.4, 211.9, 373–376; 396/535–541,
396/449, 444

See application file for complete search history.

(56) **References Cited**

U.S. PATENT DOCUMENTS

D368,922 S	4/1996	Tanaka	
D401,259 S *	11/1998	Chapman et al.	D16/219
5,903,706 A *	5/1999	Wakabayashi et al.	348/373
D416,270 S	11/1999	Harata	
D416,271 S	11/1999	Ikenaga	
D445,440 S *	7/2001	Chen	D16/202
6,445,417 B1 *	9/2002	Yoshida et al.	348/374
D488,178 S *	4/2004	Huang	D16/218
D488,497 S	4/2004	Suzuki	
D496,674 S *	9/2004	Hayashi	D16/202
D496,955 S *	10/2004	Hayashi	D16/219
D508,936 S	8/2005	Naito	
D519,141 S	4/2006	Hayashi	

D536,720 S	2/2007	Miyashita	
D537,464 S *	2/2007	Tainaka	D16/219
7,173,197 B1 *	2/2007	Kasperek	348/333.02
D561,800 S	2/2008	Sadatsuki	
D566,149 S	4/2008	Sumita	
D566,150 S	4/2008	Sadatsuki	
D574,029 S	7/2008	Yamagishi	
2009/0185066 A1 *	7/2009	Kotake et al.	348/340

* cited by examiner

Primary Examiner—Ian Simmons

Assistant Examiner—Wan Laymon

(74) *Attorney, Agent, or Firm*—Rader, Fishman & Grauer PLLC

(57) **CLAIM**

The ornamental design for a camera, as shown and described.

DESCRIPTION

FIG. 1 is a perspective view of a camera showing my new design;

FIG. 2 is an enlarged perspective view thereof taken along lines 2—2 of FIG. 1;

FIG. 3 is a front elevational view thereof;

FIG. 4 is a rear elevational view thereof;

FIG. 5 is a left side elevational view thereof;

FIG. 6 is a right side elevational view thereof;

FIG. 7 is a top plan view thereof; and,

FIG. 8 is a cross sectional view thereof, taken along the lines 8—8 of FIGS. 3 and 5.

Portions of FIGS. 1–8 that are shown as broken lines are for illustrative purpose only and form no part of the claimed design.

1 Claim, 8 Drawing Sheets

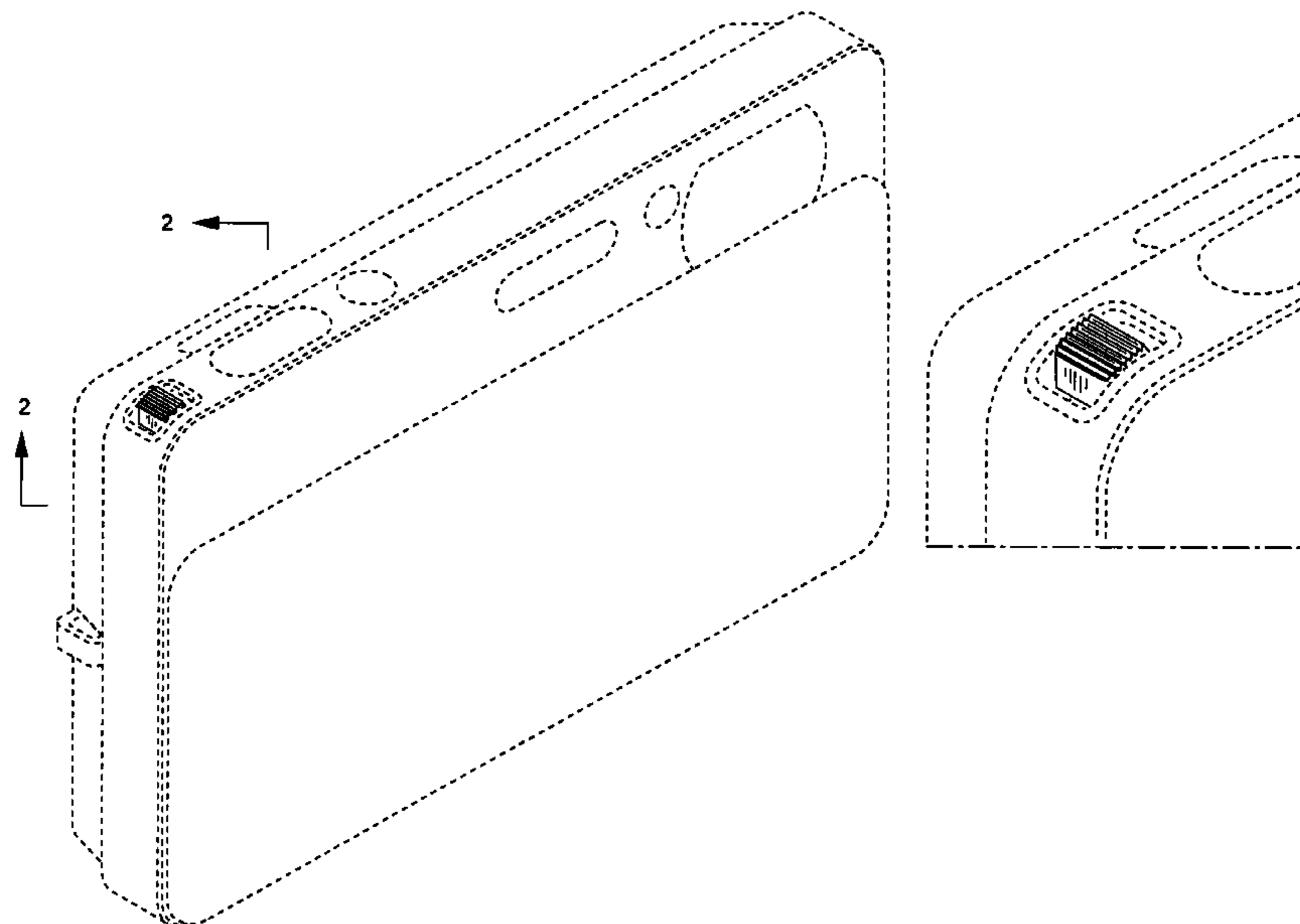


FIG. 1

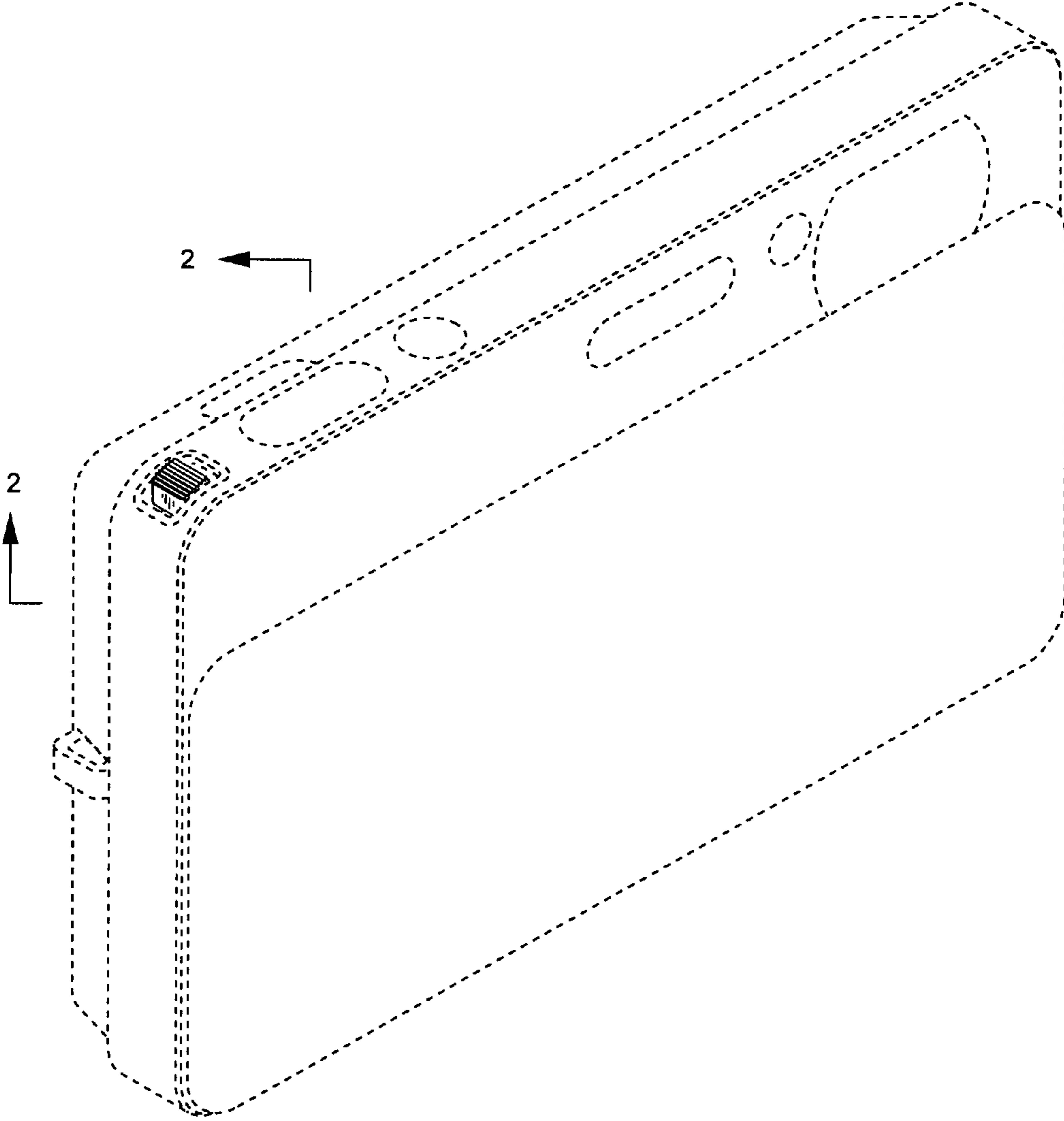


FIG. 2

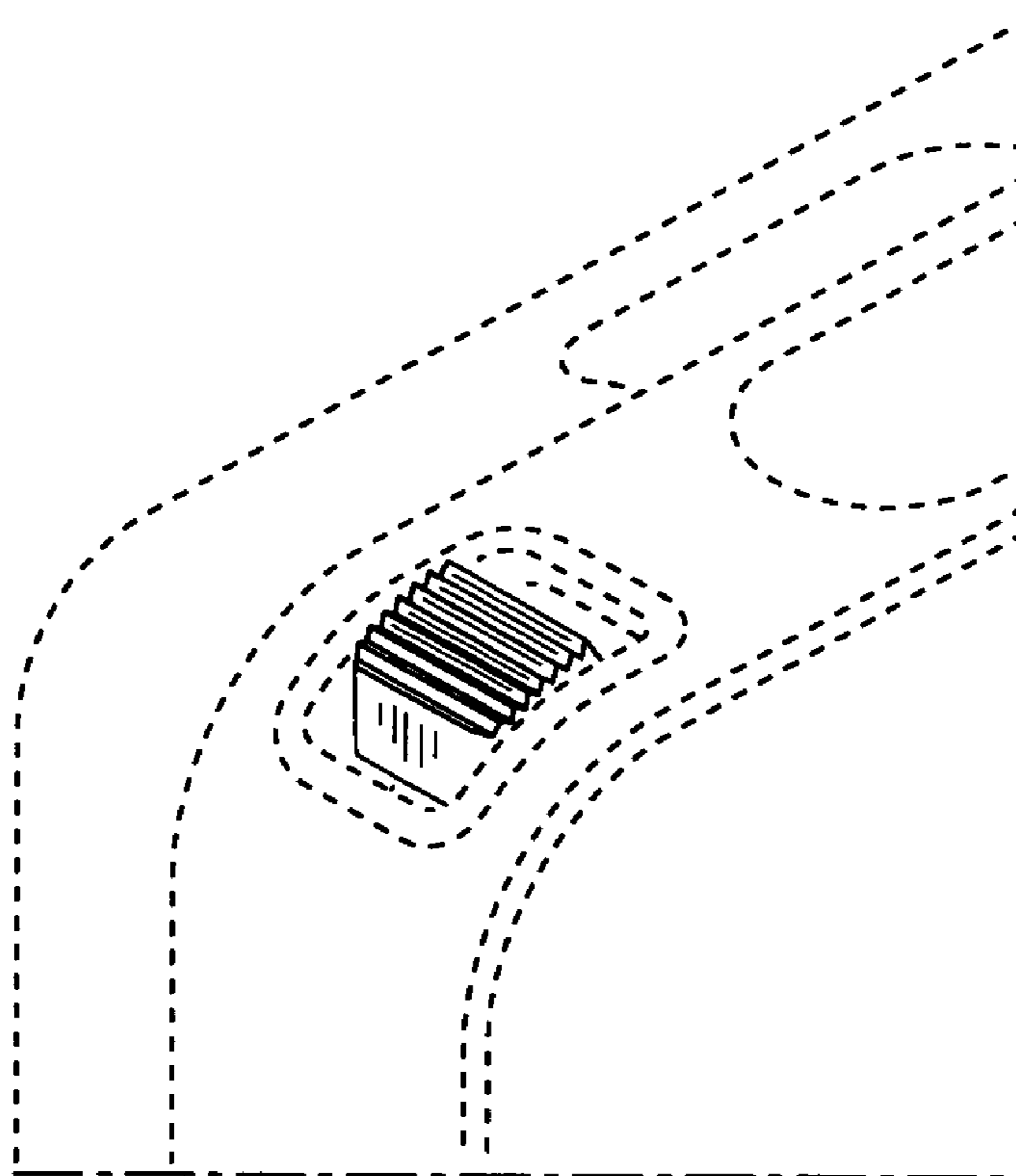


FIG. 3

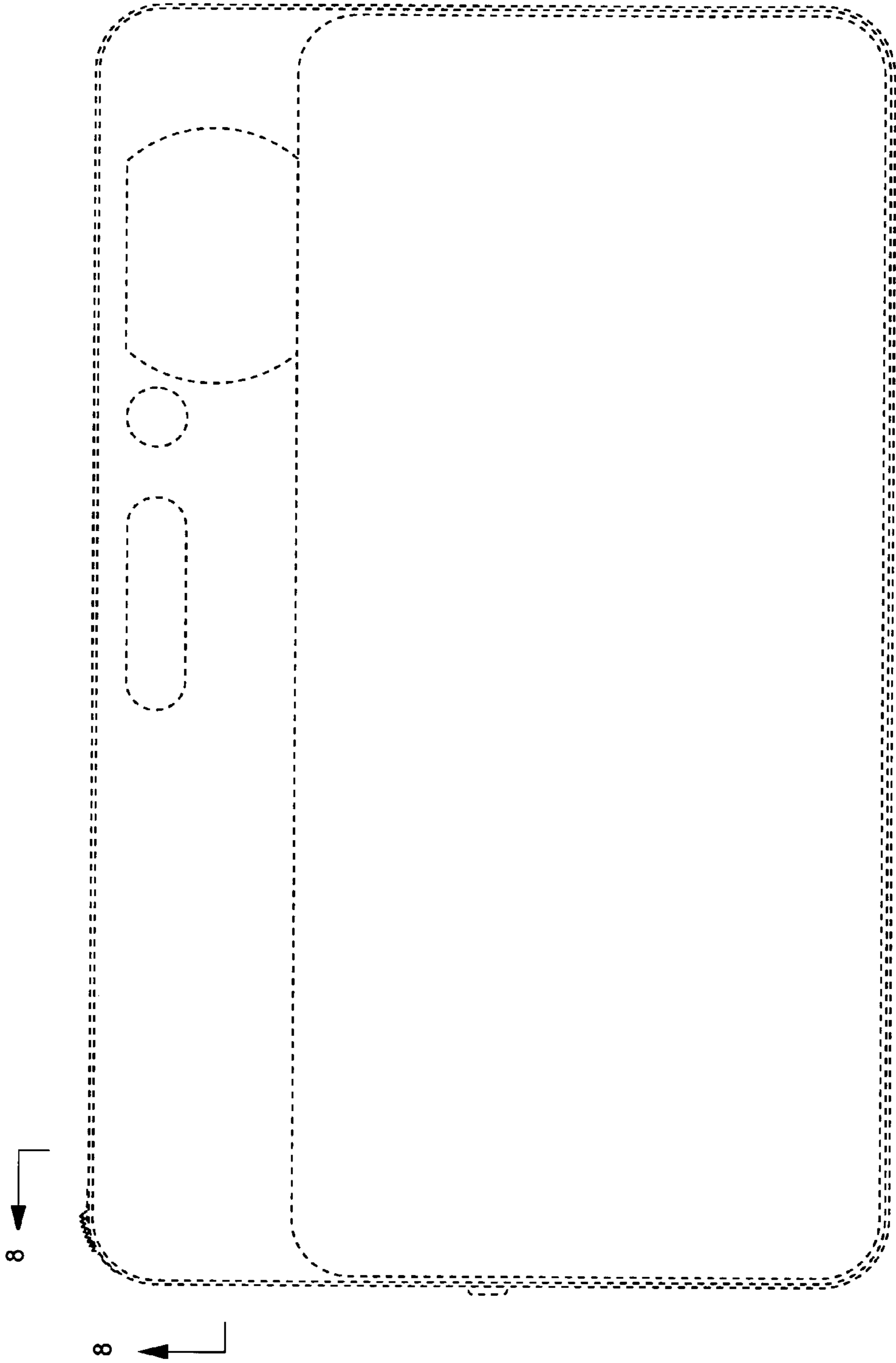


FIG. 4

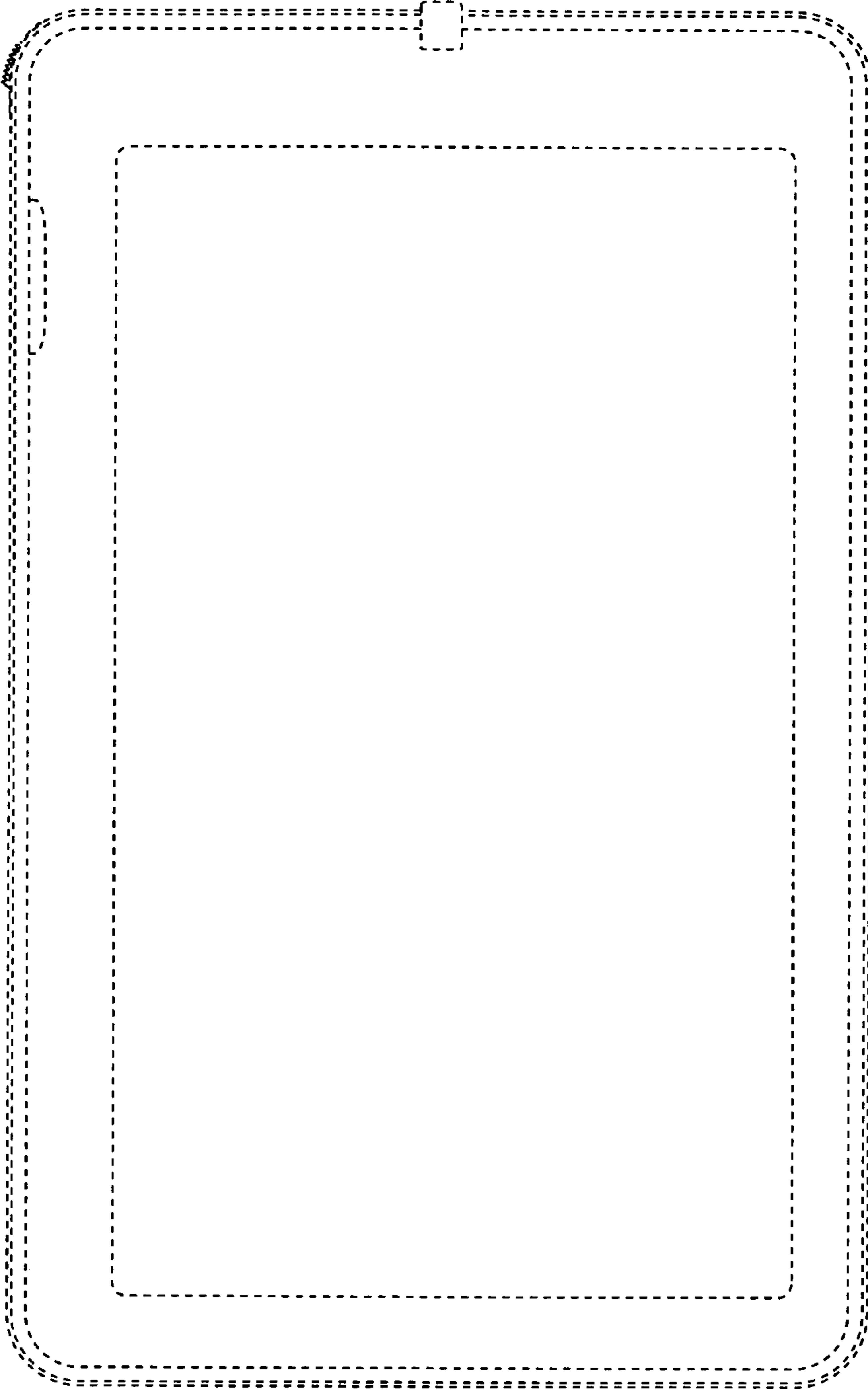


FIG. 5

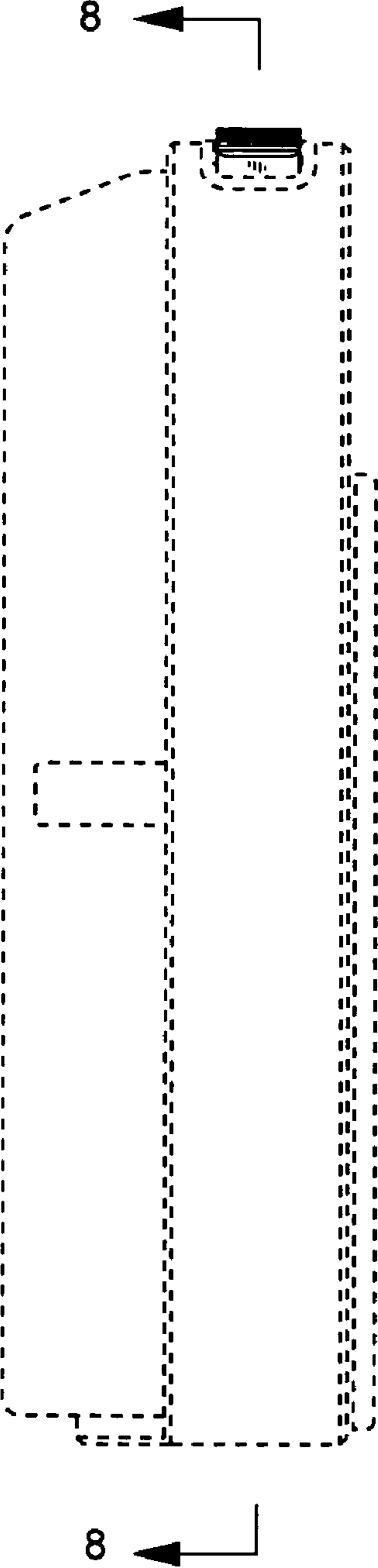


FIG. 6

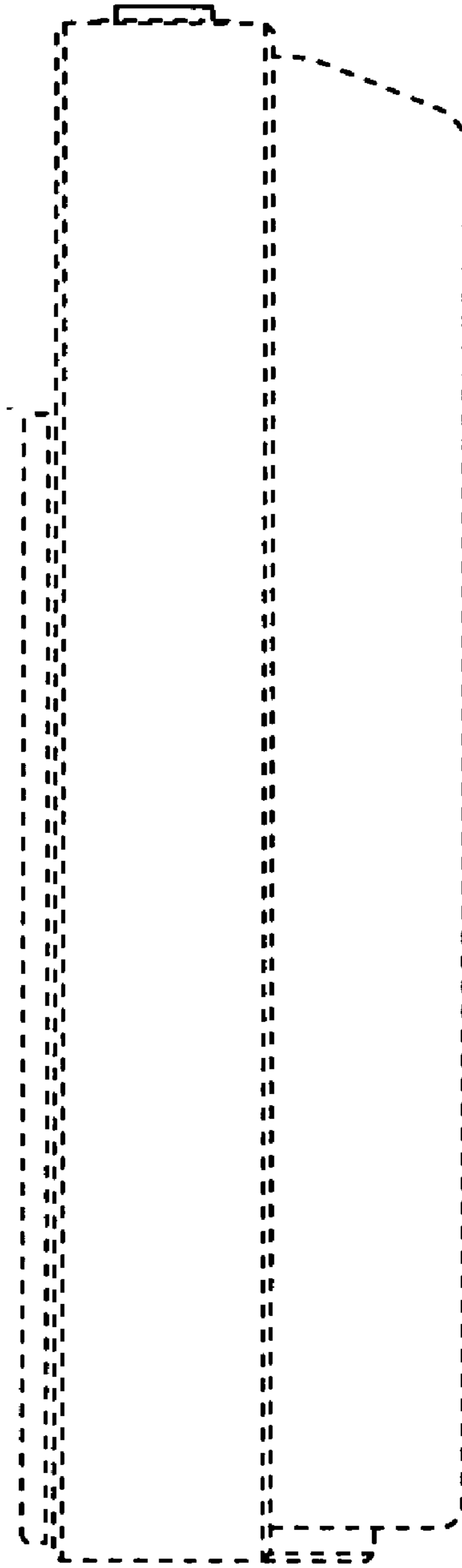


FIG. 7

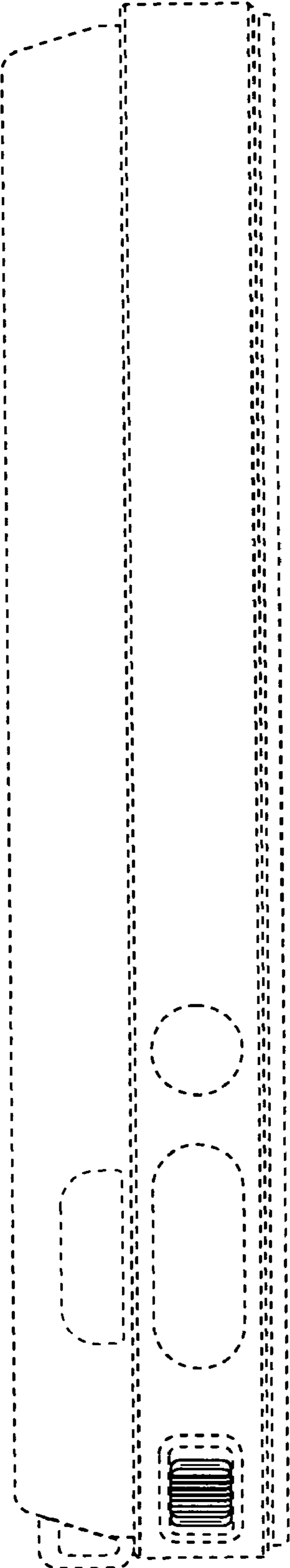


FIG.8

