



US00D619155S

(12) **United States Design Patent**
Kim et al.

(10) **Patent No.:** **US D619,155 S**
(45) **Date of Patent:** **** Jul. 6, 2010**

(54) **CAMCORDER**

(75) Inventors: **In-Shik Kim**, Seoul (KR); **Mi-Ri Lee**,
Kyunggi-do (KR)

(73) Assignee: **Samsung Electronics Co., Ltd.**,
Kyunggi-do (KR)

(**) Term: **14 Years**

(21) Appl. No.: **29/316,710**

(22) Filed: **Oct. 23, 2009**

(51) **LOC (9) Cl.** **16-01**

(52) **U.S. Cl.** **D16/202**

(58) **Field of Classification Search** D16/200–204,
D16/208, 218; 348/143, 373–376; 358/909.1;
396/427, 535–541

See application file for complete search history.

(56) **References Cited**

U.S. PATENT DOCUMENTS

D356,806 S	3/1995	Kim	
D365,354 S	12/1995	Sung	
D366,886 S	2/1996	Choi	
D368,729 S	4/1996	Choi	
D372,925 S	8/1996	Choi	
D378,296 S	3/1997	Choi	
D383,767 S	9/1997	Sung et al.	
D386,506 S	11/1997	Choi	
D390,243 S	2/1998	Choi	
D472,258 S *	3/2003	Yin et al.	D16/202
D484,901 S	1/2004	Lim	
6,705,774 B2 *	3/2004	Tashiro et al.	396/427
6,714,724 B1 *	3/2004	Cook	348/373
D520,044 S	5/2006	Chung et al.	
D520,545 S	5/2006	Chung et al.	
D520,546 S	5/2006	Kim	
D521,041 S	5/2006	Chung et al.	
D526,674 S	8/2006	Byun et al.	
D527,403 S *	8/2006	Byun et al.	D16/202
D528,142 S	9/2006	Byun et al.	
D528,576 S	9/2006	Chung et al.	
D528,577 S	9/2006	Byun et al.	
7,136,685 B2 *	11/2006	Chiang	348/376

D533,206 S	12/2006	Kim	
D542,820 S *	5/2007	Depay	D16/202
7,253,840 B2 *	8/2007	Kayanuma	348/375
D552,142 S	10/2007	Chung	
D552,648 S	10/2007	Chung	
D554,676 S	11/2007	Kim	
D554,678 S	11/2007	Kim	
D556,801 S	12/2007	Kim	
D558,247 S	12/2007	Kim	
D559,290 S	1/2008	Chung	
D560,241 S	1/2008	Chung	
D560,242 S	1/2008	Chung	
D560,243 S	1/2008	Kim	
D580,469 S	11/2008	Chung et al.	
D580,470 S	11/2008	Chung et al.	

(Continued)

OTHER PUBLICATIONS

U.S. Appl. No. 29/315,536, Applicant: Young-Sang Jang, et al., filed Jul. 2, 2009, entitled Camcorder.

(Continued)

Primary Examiner—Adir Aronovich
(74) *Attorney, Agent, or Firm*—Flynn, Thiel, Boutell & Tanis, P.C.

(57) **CLAIM**

The ornamental design for a camcorder, as shown and described.

DESCRIPTION

FIG. 1 is a top front perspective view of a camcorder showing our new design;

FIG. 2 is a front elevational view thereof;

FIG. 3 is a rear elevational view thereof;

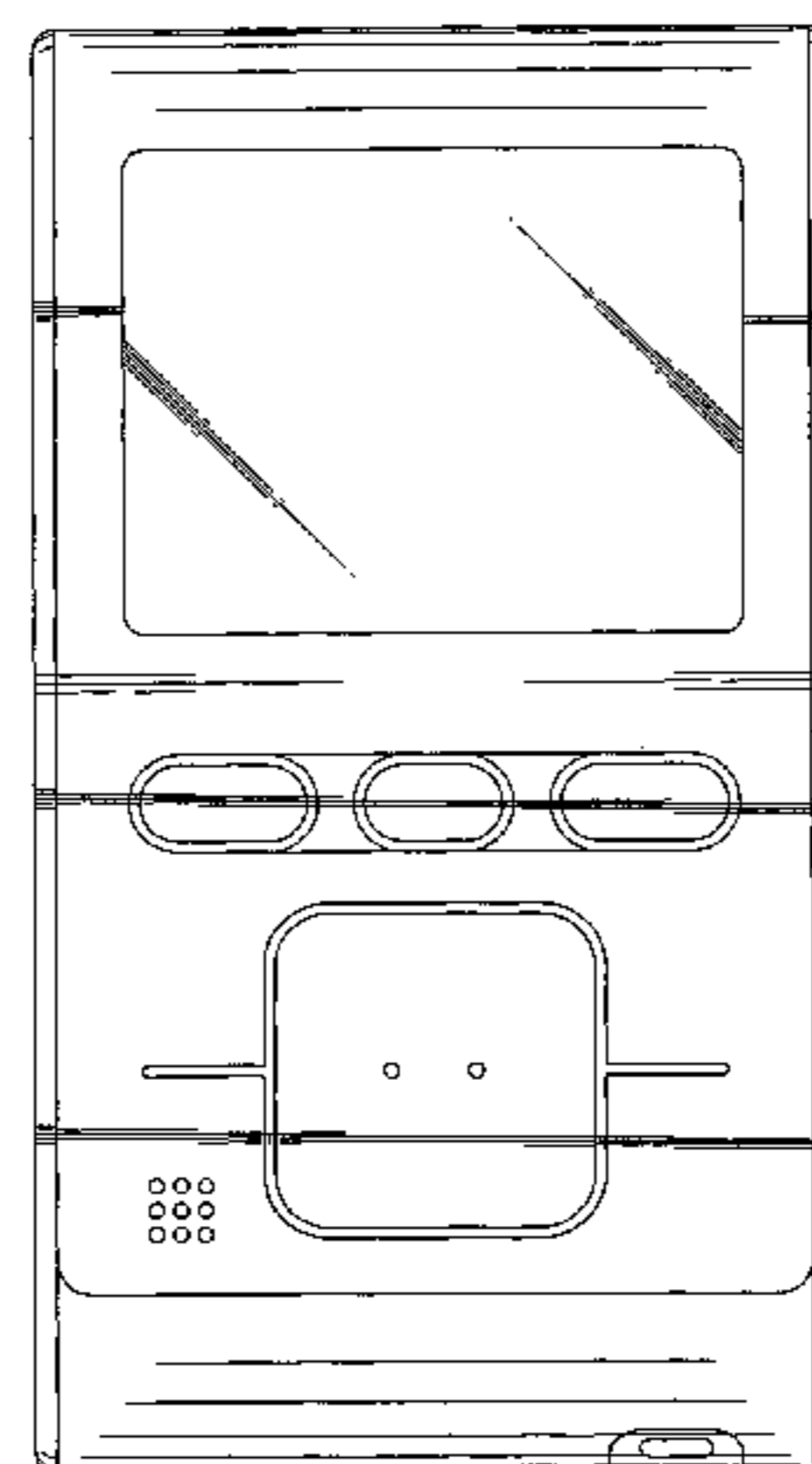
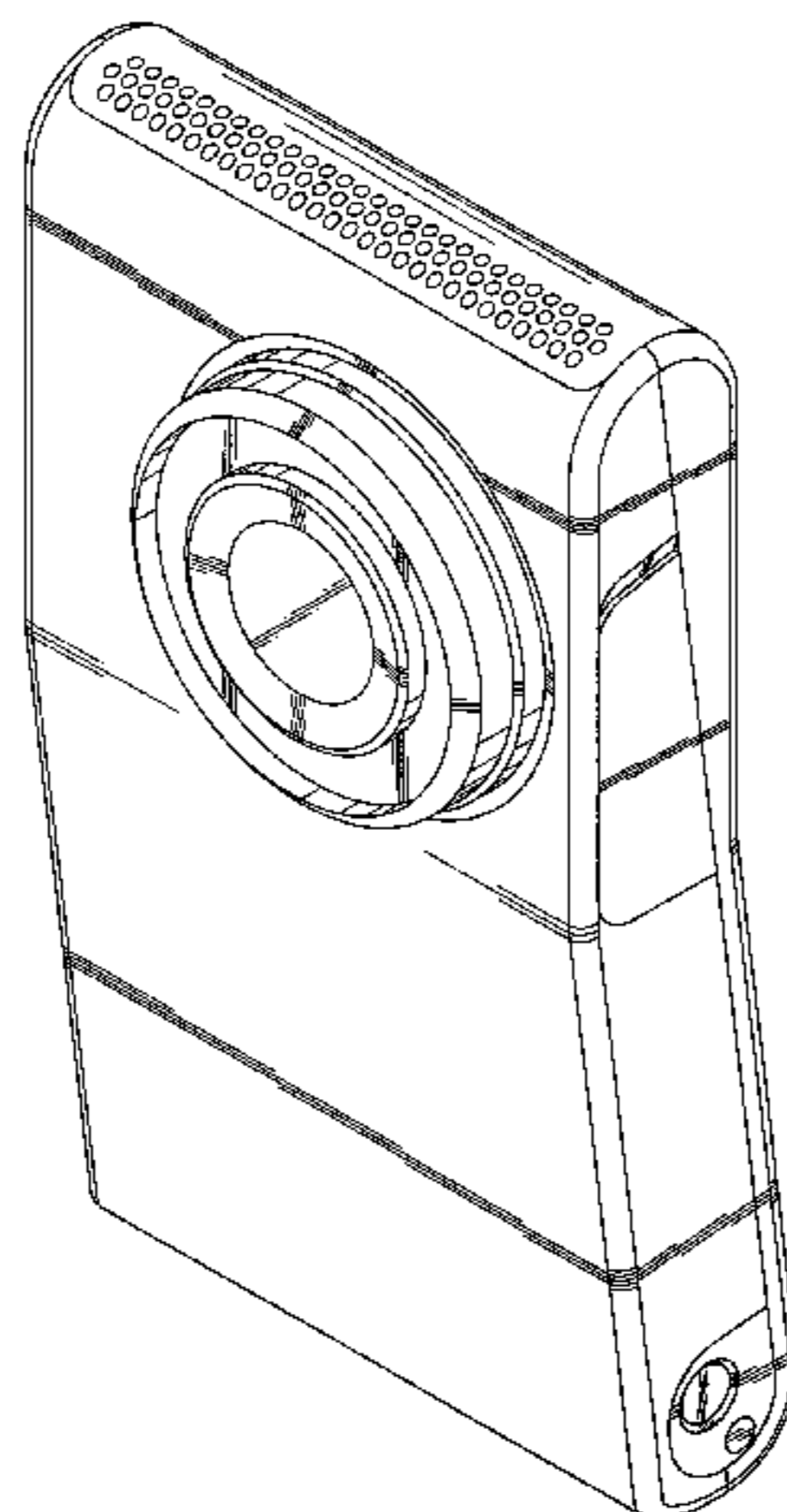
FIG. 4 is a left side elevational view thereof;

FIG. 5 is a right side elevational view thereof;

FIG. 6 is a top plan view thereof; and,

FIG. 7 is a bottom plan view thereof.

1 Claim, 5 Drawing Sheets



US D619,155 S

Page 2

U.S. PATENT DOCUMENTS

D584,325 S 1/2009 Chung et al.
D584,753 S 1/2009 Chung et al.
D584,754 S 1/2009 Chung et al.
D591,321 S * 4/2009 Sheppard et al. D16/202
D594,047 S * 6/2009 Lee D16/203
D600,731 S 9/2009 Lee et al.

D607,479 S * 1/2010 Yu D16/202
2007/0115387 A1* 5/2007 Ho 348/375

OTHER PUBLICATIONS

U.S. Appl. No. 29/315,535, Applicant: Jung-Hyun Park, filed Jul. 2, 2009, entitled Camcorder.

* cited by examiner

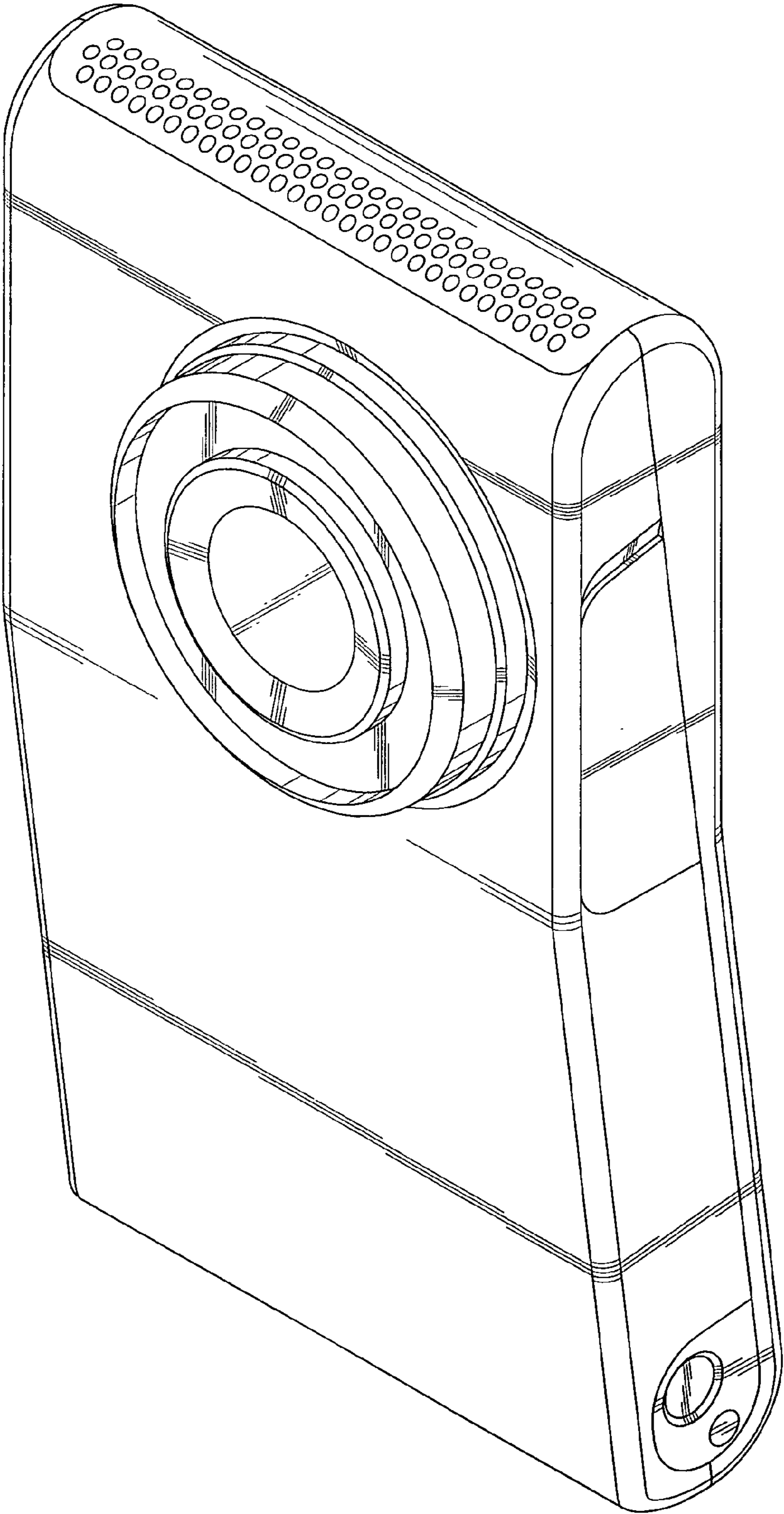


FIG. 1

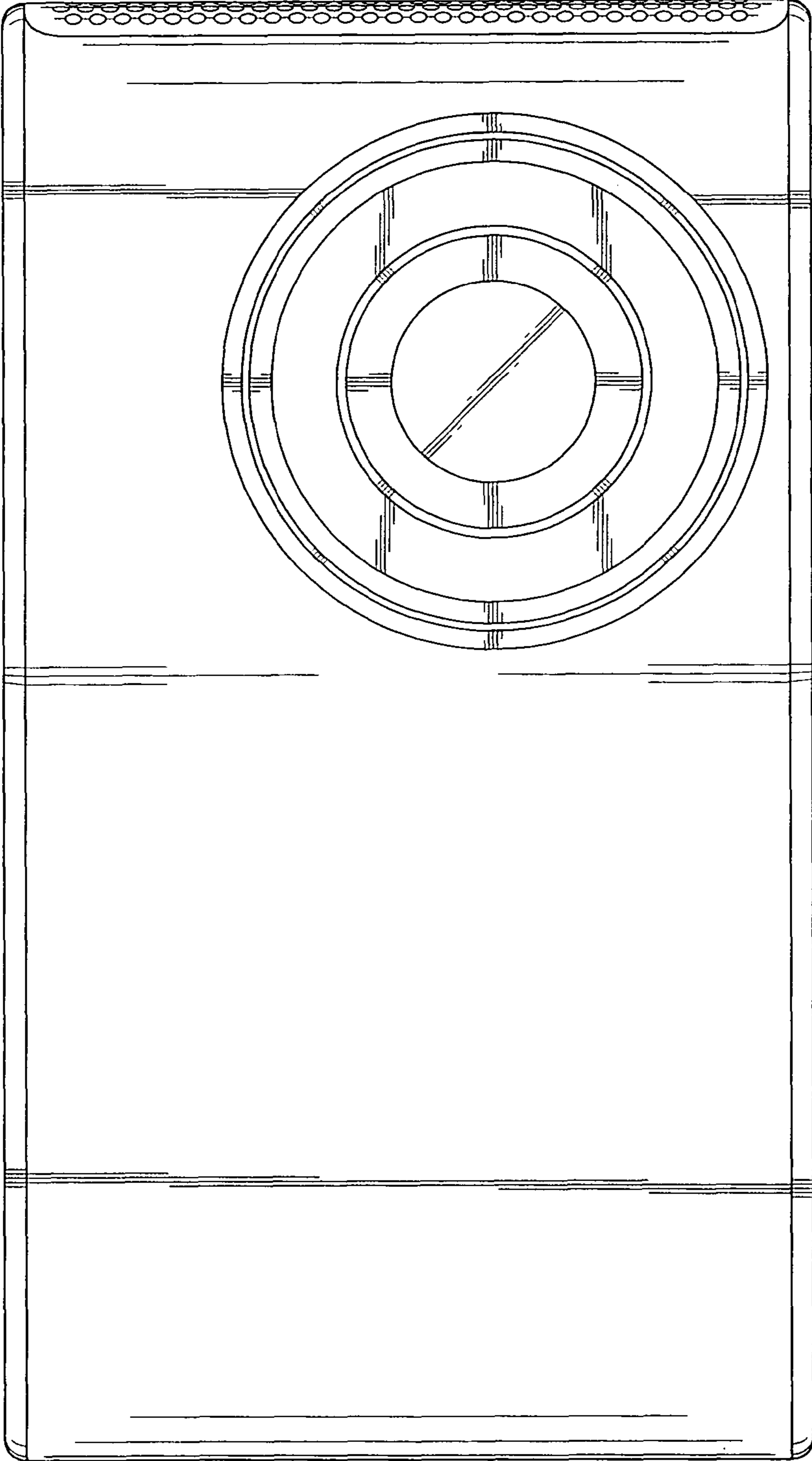


FIG. 2

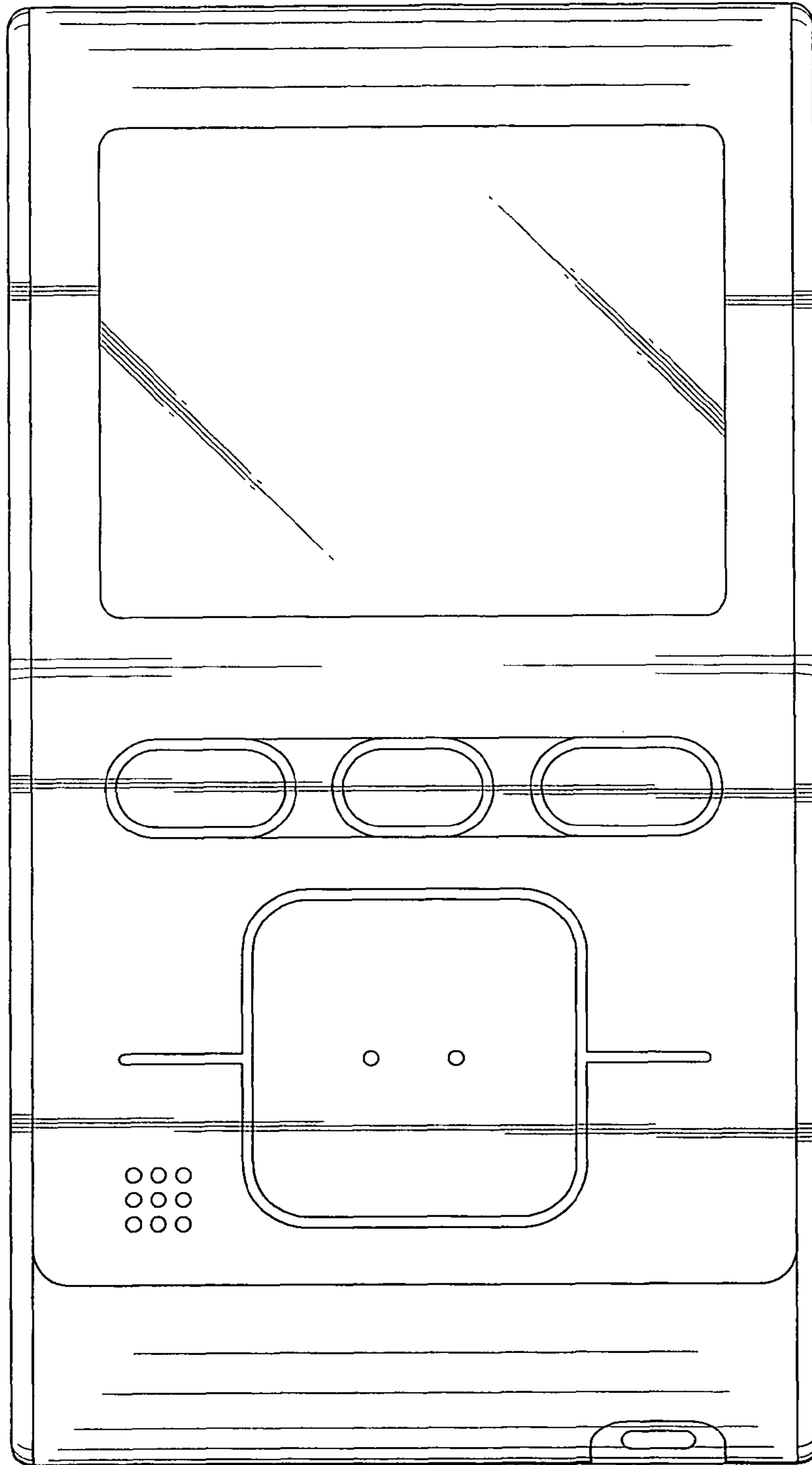


FIG. 3

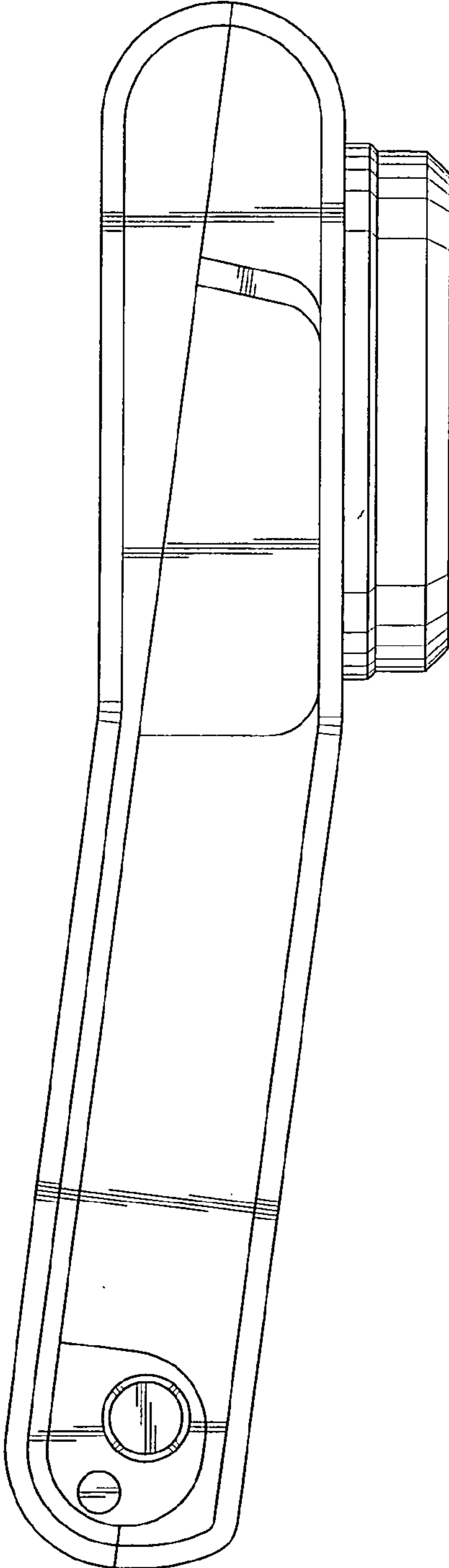


FIG. 4

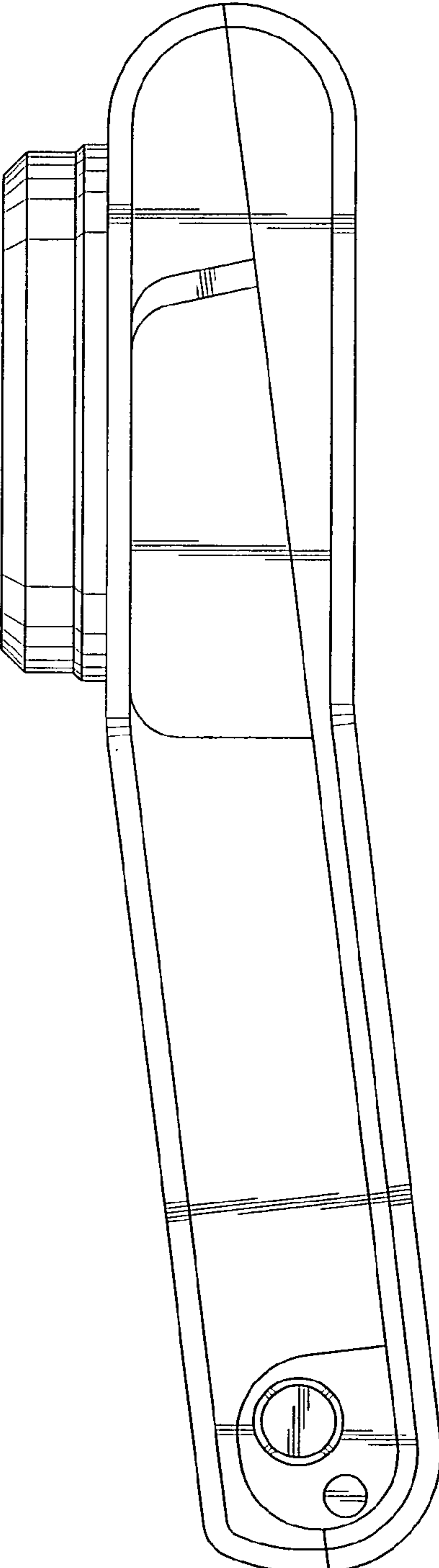


FIG. 5

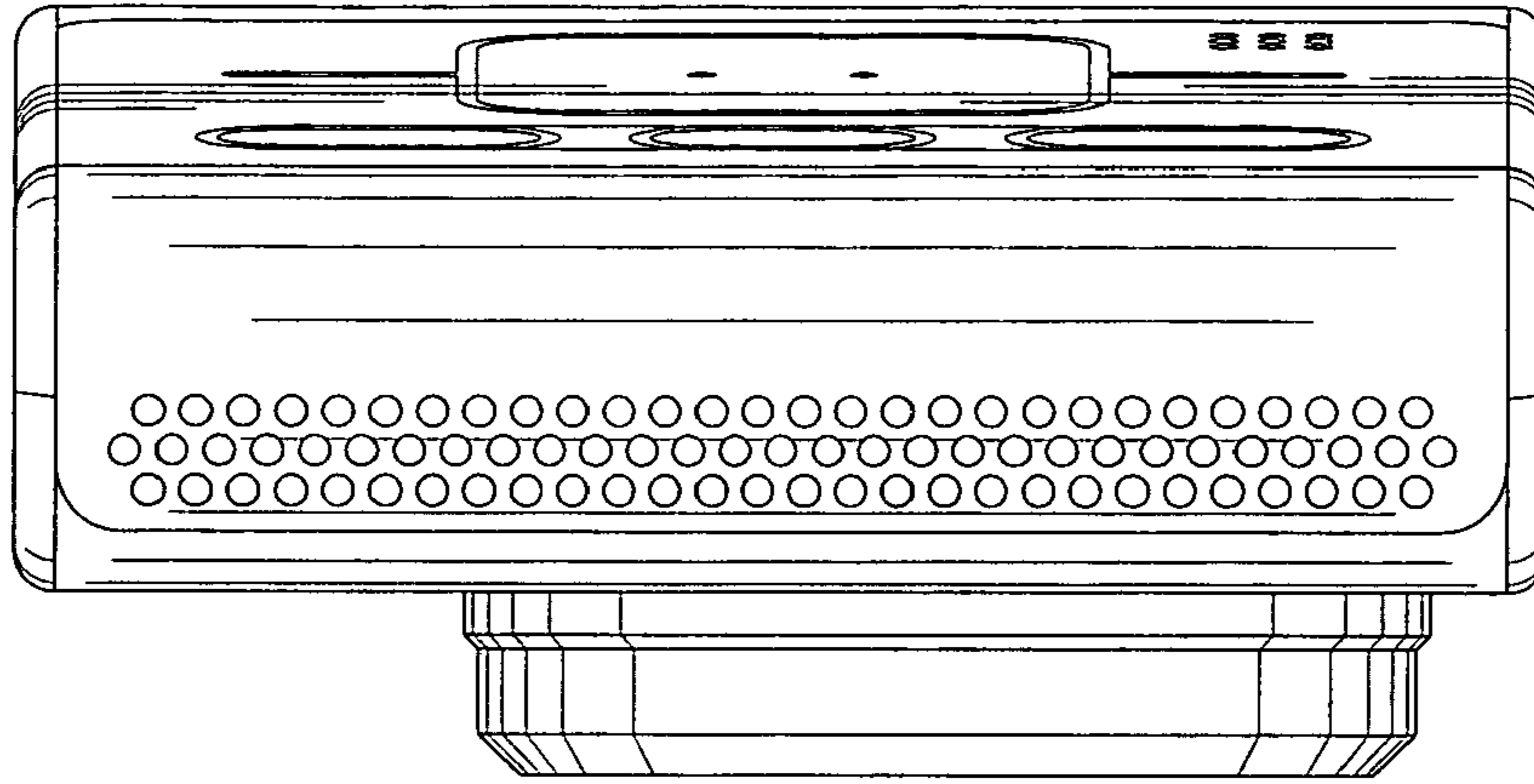


FIG. 6

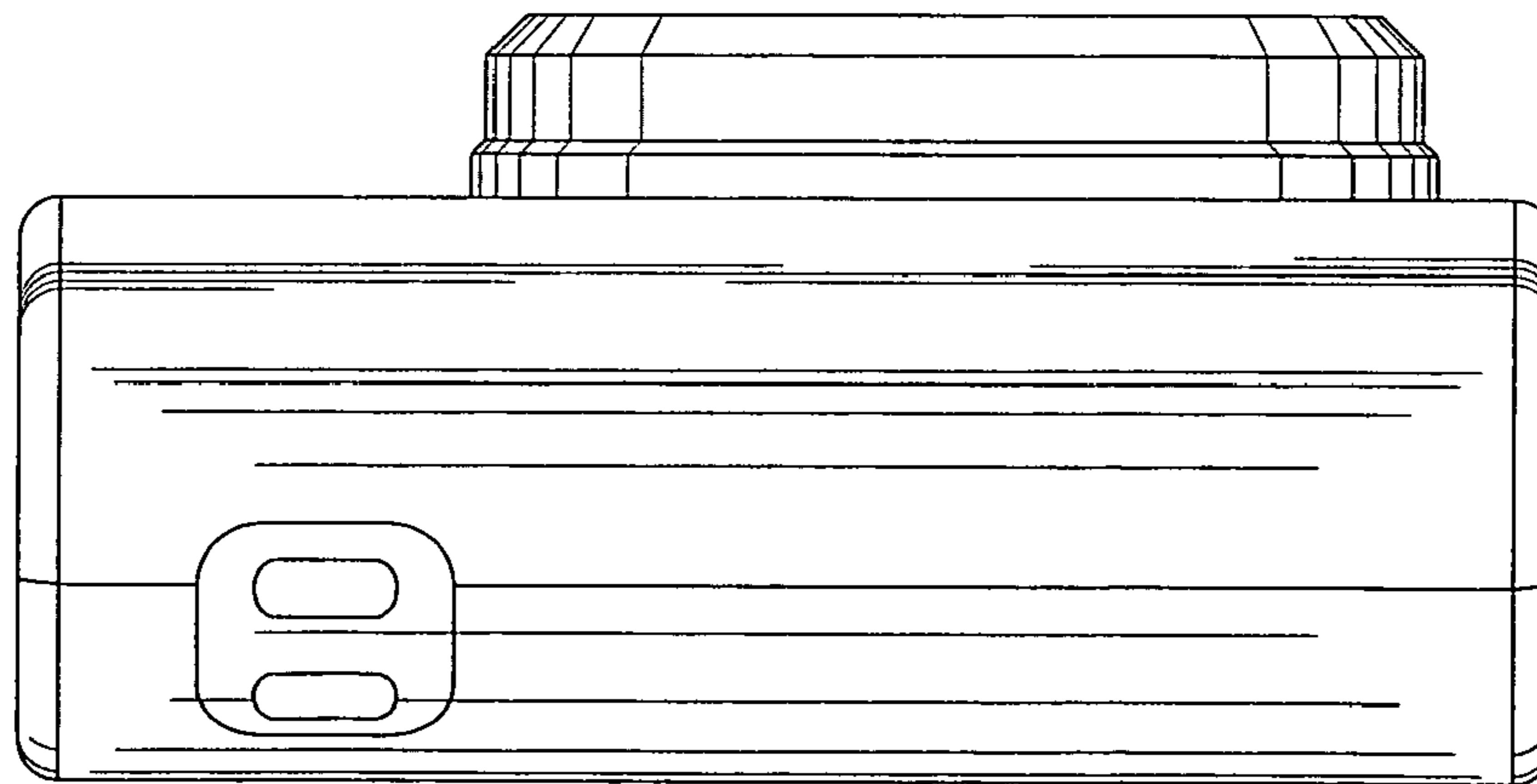


FIG. 7